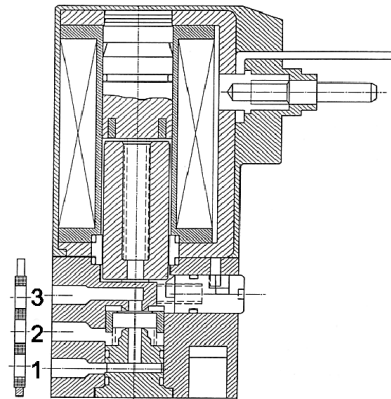


direct operated solenoid valves

coil 15 mm

general information	
ambient temperature	- 10°C to + 50°C
response time	3- 5 ms
mounting	in any position
standard seal materials*	NBR
dimensions	see page 2/3
coil data	see page 2/3
connector data	see page 2/3
sub-base	see page 3/3

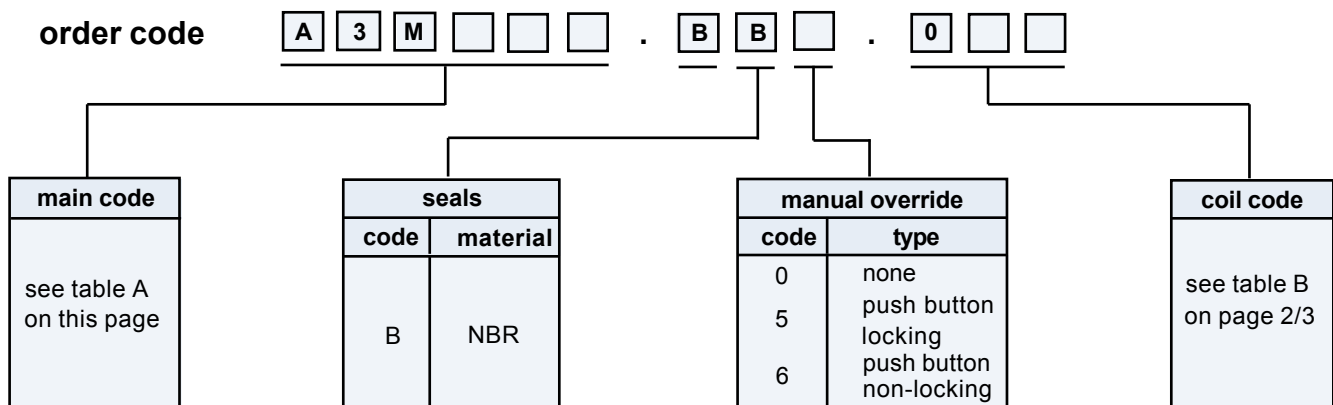
inlet port for:
normally open 3
normally closed 1



* other seal materials on request

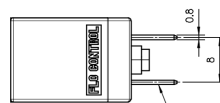
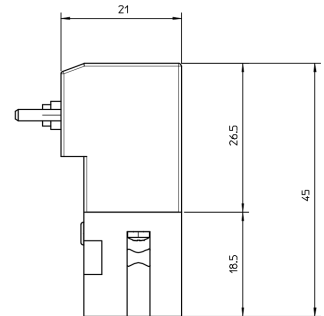
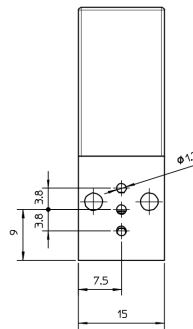
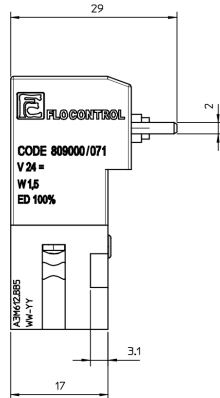
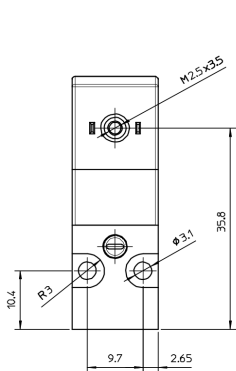
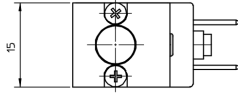
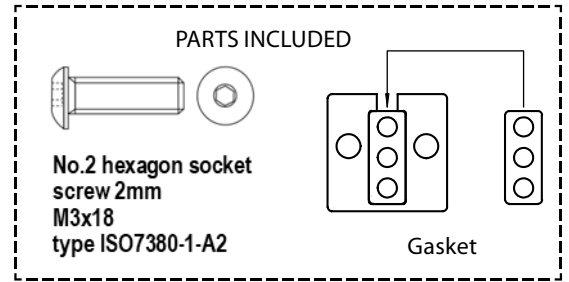
function	symbol	orifice mm	*Kv	pressure range (bar)			nominal power		TABLE A main code	
				min.	max. DC	max. AC	Watt DC	V.A. AC inr. hol.		
3/2 normally closed (NC) 		0.8	0.28	0	10	-	1	-	-	A3M608
		1.1	0.37	0	10	-	1.5	-	-	A3M611
		1.2	0.40	0	9	-	1.5	-	-	A3M612
		1.5	0.55	0	5	-	2	-	-	A3M615
3/2 normally open (NO) 		0.8	0.28	0	10	-	1	-	-	A3M708
		1.2	0.40	0	10	-	1.5	-	-	A3M712
		1.5	0.55	0	5	-	2	-	-	A3M715

*l/min. of water with ΔP of 1 bar

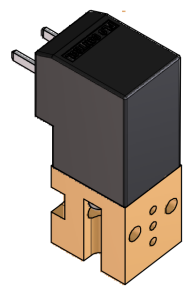
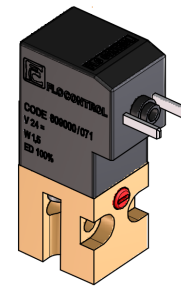


direct operated solenoid valves

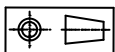
coil 15 mm



Terminal for connector
DIN 43650-C



weight	60 g
---------------	------



coil code	TABLE B				
	*voltages	*	code		
			= DC		
			1 W	1.5 W	2 W
	12	-	067	066	068
	24	-	070	071	073

coil specification	
wire insulation	class H180° C
encapsulation	class H180° C
encapsulation mat.	Crastin
energising duration	100% at 20° C ambient
voltage variation	- 10% +15% of nom. volt.
power consumption	DC 1 - 1.5 - 2 Watt
electrical connection	AMP 2.8 x 0.5 (2P+ earth)
cable connection	Pg 7 (for cable dia. 4-6mm)
protection class	IP 65 (with connector)

* other voltages and wattages on request

connector (not included, must be ordered separately)

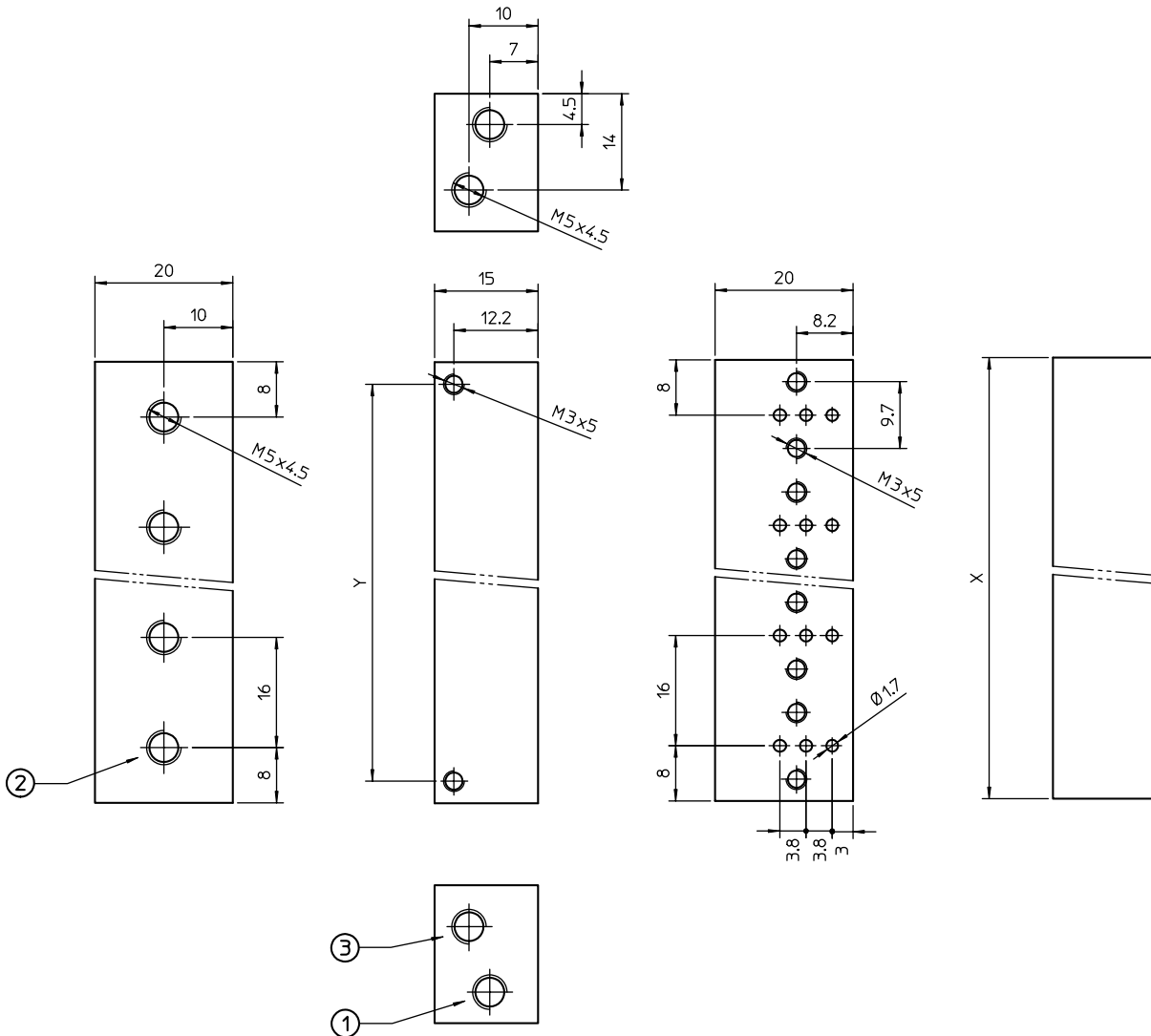
code	Z10029
-------------	--------

FLO CONTROL
Solenoid Valves



direct operated solenoid valves

coil 15 mm



order code	stations	X (mm)	Y (mm)	weight (g)
ZZ11.A01.08A	1	16	9.6	12
ZZ11.A02.08A	2	32	25.6	24
ZZ11.A03.08A	3	48	41.6	36
ZZ11.A04.08A	4	64	60.6	48
ZZ11.A05.08A	5	80	73.6	60
ZZ11.A06.08A	6	96	89.6	72

- gasket and two screws supplied with each valve
- bases for more than 6 valves on request

FLO CONTROL

Solenoid Valves

