

5000 Series Low Pressure Transducer

- ▶ Submersible and General Purpose Models
- ▶ Stainless Steel Case Construction
- ▶ High Proof Pressures

The 5000 Series features a sturdy ceramic diaphragm that detects minute pressure variations, while withstanding large pressure spikes. The tough ceramic sensor is housed in a duplex stainless steel case to ensure performance in the most demanding applications, such as sea water.

Specifications

Input	
Pressure Range	0 to 415" wc (0 to 15psi)
Proof Pressure	30psi (≤ 80 "wc) 60psi (≤ 150 "wc); 100psi (>150 "wc)
Burst Pressure	45psi (≤ 28 "wc) 60psi (>28 "wc to 80"wc) 90psi (≤ 150 "wc); 145psi (>150 "wc)
Fatigue Life	10 million FS cycles
Performance	
Long Term Stability	0.25% span/annum
Accuracy	0.2% span max
Thermal Error	2% span max
Compensated Temperatures	-4°F to +140°F (-20°C to +60°C)
Operating Temperatures	
Process media	-40°F to +212°F (-40°C to +100°C)
Electrical code G & L	-15°F to +185°F (-25°C to +85°C)
Electrical code M & 3	-5°F to +120°F (-20°C to +50°C)
Zero Tolerance	1% span
Span Tolerance	1% span
Mounting Effects	0.25% span max
Response Time	5ms
Supply Voltage Sensitivity	0.01% span/volt
Mechanical Configuration	
Inconel Pressure Ports	(See Ordering Guide)
Wetted Parts	318 Duplex SS, Ceramic, Nitrile (Viton® Optional)
Electrical Connection	(See Ordering Guide)
Enclosure	Code M IP68 Submersible Code G IP65
Vibration	35g peak 5-2000 Hz, MIL STD 810, Method 514.2, Procedure I
Acceleration	100g, MIL STD 810C, Method 513.2, Procedure II
Approvals	CE, Lloyds Register, optional intrinsically safe EXII 1G; E Exia II BT4 (-20°C < T amb < 75°C)
Weight	330gms (excluding cable) (12oz)

Individual Specifications

Voltage Output units	
Output	(See Ordering Guide) (3-wire)
Supply Voltage (Vs)	9 to 35 VDC (8-35 VDC, 1-6 VDC Output)
Current Output Unit	
Output	4-20 mA (2 wire)
Supply Voltage (Vs)	9 to 35 VDC (ExII 1G 9-28 Vdc)
Max. Loop Resistance	(Vs-9)* 50 ohms

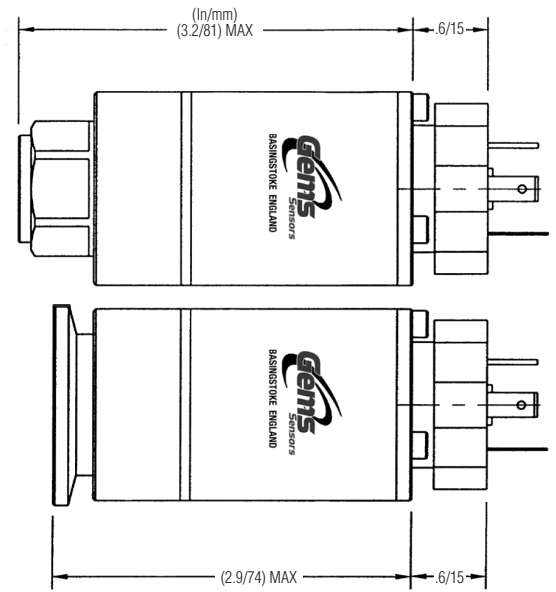
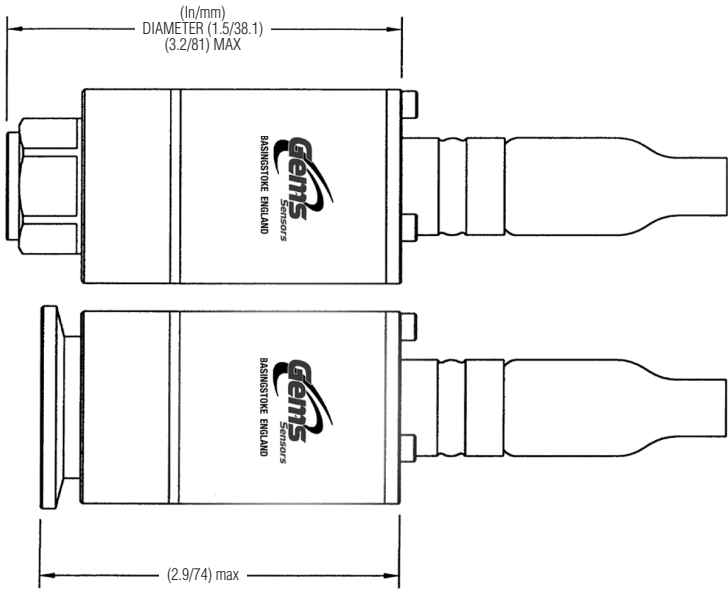


How to Order

Use the **bold** characters from the chart below to construct a product code.

SELECT

- | | | |
|---|--|--|
| <p>1. 5000 series</p> <p>2. Output:
 B 4–20 mA C 1–6 VDC F 0.1–5.1 VDC H 1–5 VDC
 J 0.5–5.5 VDC R 0–5 VDC</p> <p>3. Pressure Datum: G gauge</p> <p>4. Pressure range code*
 M70 10 to 28" wc, 25 to 70 mbar, 0.36 - 1 psi
 N20 29 to 80" wc, 71 to 200 mbar, 1 - 3 psi
 N35 81 to 150" wc, 201 to 350 mbar, 3 - 5 psi
 A10 151 to 415" wc, 351 to 1000 mbar, 5 - 15 psi</p> <p>* specify range required at time of order
 eg. 5000BGM700FM3001a@15"wc</p> | <p>5000 B G N20 OF M 3 001 A @XXX</p> | <p>10. Specify Calibration
(i.e @70" wc)</p> <p>9. Static/Thermal Error Band
A 0.25%/2%</p> <p>8. Cable Length
000 = No Cable
001 = 1 meter
999 = 999 meters</p> <p>7. Approvals
3 CE Marked
B Zenier
G Galvanic Intrinsically Safe</p> <p>6. Electrical Connection
G Fixed Plug to DIN 43650,
Mating Connector Supplied
L M12 x 1 (5 pin)
M Immersible Cable Assembly,
IP68
3 1/2-14 NPT Conduit</p> <p>5. Pressure Connection
 OK G1/4 Internal
 AK G 1/4 external
 MK M14x1.5 external
 BK 1/4 - 18 NPT external
 KK 7/16 - 20unf - 3A external
 OF Open Face, KF25 Flange</p> <p>Submersible Nose Cones { 19 Plastic Nose Cone
 29 Stainless Steel Nose Cone</p> |
|---|--|--|



PRESSURE TRANSDUCERS