

$4\frac{9}{16}$
[115.98]

1/2 NPT

TYPICAL MTG

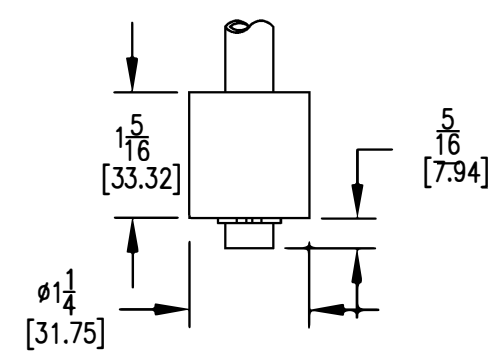
C

HIGHEST LEVEL

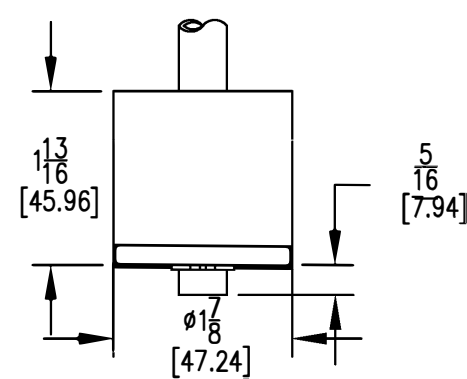
INCHES OF INDICATION

LOWEST LEVEL

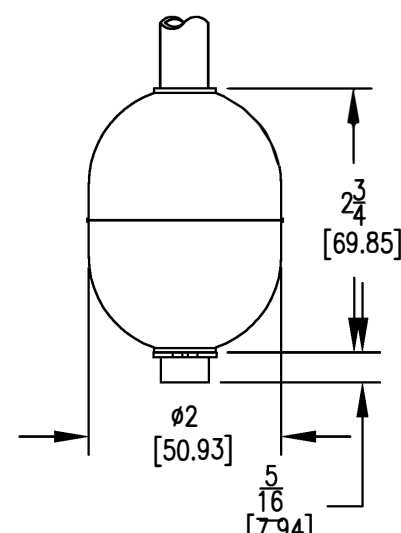
B



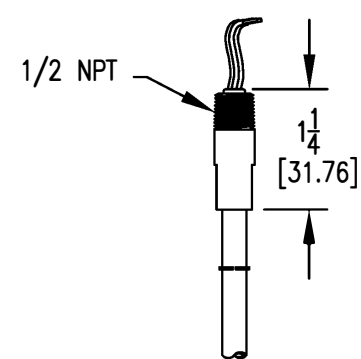
FLOAT TYPE F1



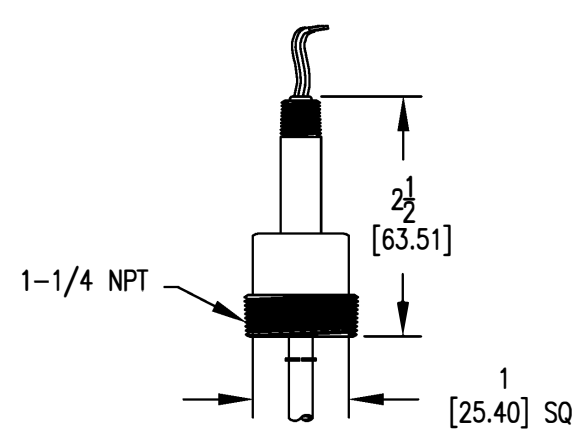
FLOAT TYPE F2



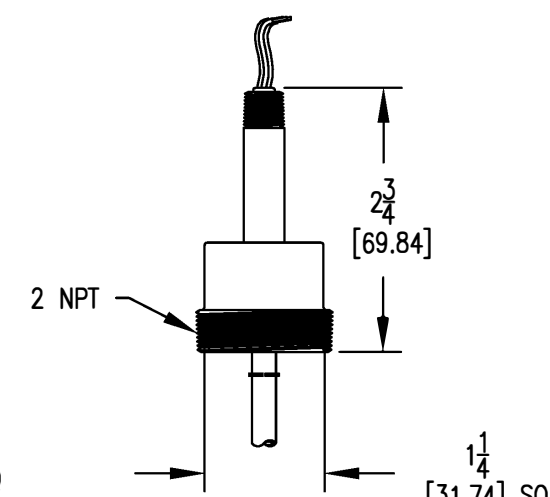
FLOAT TYPE F3



CONNECTION TYPE 1

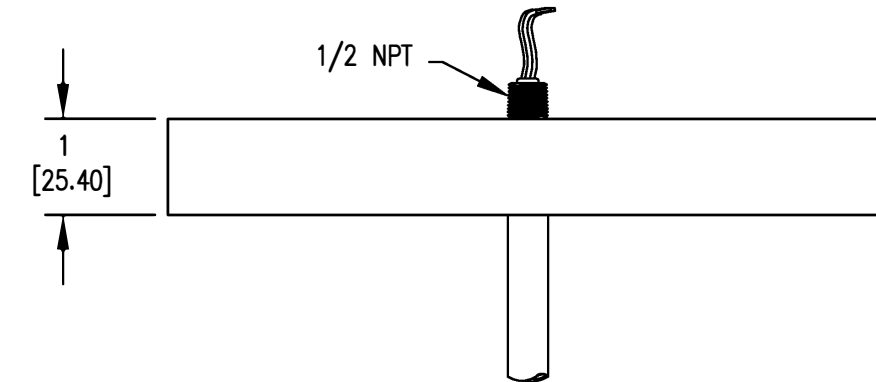
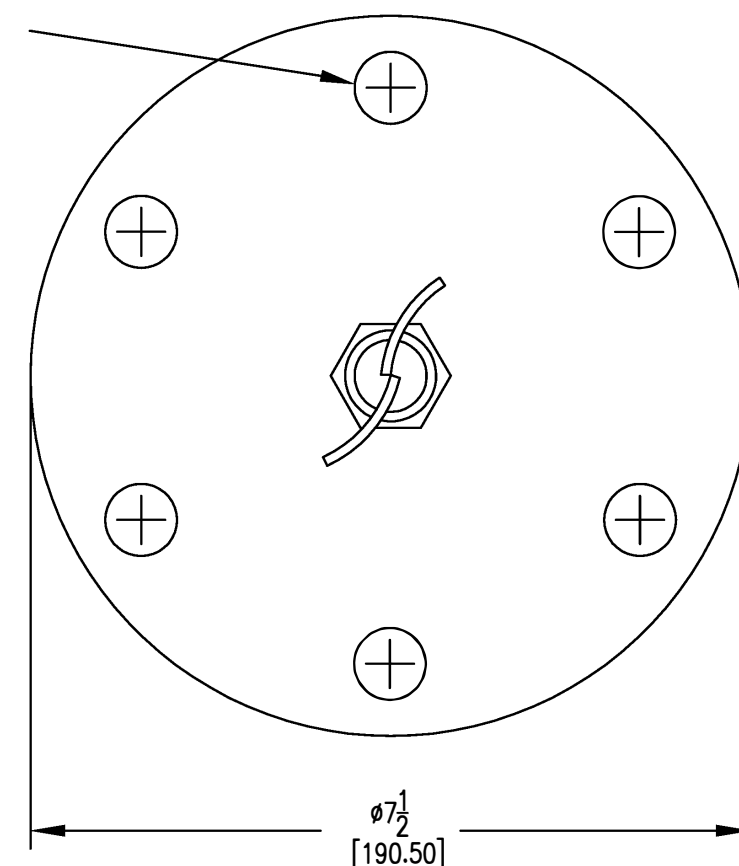


CONNECTION TYPE 2



CONNECTION TYPE 3

6 HOLES $\phi 3/4$ [19.05]
EQUALLY SPACED
ON A 6.000B.C.
[152.4]



CONNECTION TYPE 4. 5

Ⓢ = CRITICAL DIMENSION
STANDARD TOLERANCES UNLESS NOTED:
ALL DECIMAL DIMENSIONS ± .005
ALL ANGLES ± 1°

SCALE 1:2

		DATE	NAME	MATERIAL
		DWN BY	CLT SERIES	FINISH
		CHKD	CONTINUOUS LEVEL TRANSMITTER	
		APPD		DWYER INSTRUMENTS, INC.
NO.	CHANGES	BY/DATE	ACAD2002	MICHIGAN CITY, INDIANA 46360 U.S.A.
NOTICE: This drawing and the principles and elements of design embodied therein are the exclusive property of DWYER INSTRUMENTS, INC. and are not to be communicated, disclosed, reproduced or used except as previously authorized in writing by such corporation and must not be submitted to outside parties for examination without the written consent of said corporation.				FR. NO.
				3