



Series 3000 Photohelic® Pressure Switch/Gage

Specifications - Installation and Operating Instructions

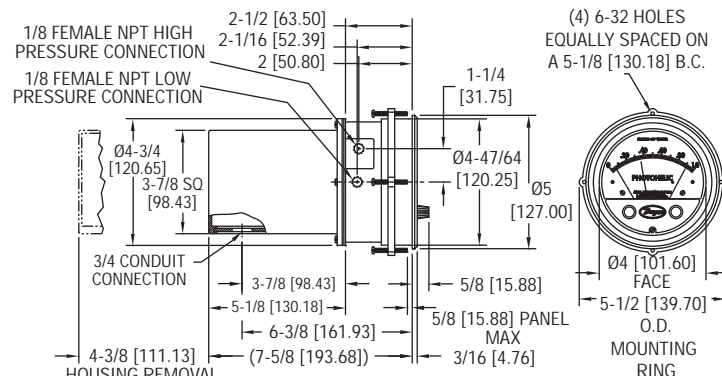


Fig. 1

The Photohelic® Switch/Gage is a very versatile, precise pressure switch combined with the time-proven Magnehelic® pressure gage. Models are available with one or two phototransistor actuated relays. Gage reading is unaffected by switch operation. Easy to adjust set points have knob controls. Applied pressure and switch set points are fully visible at all times. Deadband is one pointer width - less than 1% of full scale. Double-pole double-throw relays can be easily interlocked to provide variable deadband control. For positive, negative or differential pressure only on 3600S models. Full scale ranges available from 0-.25 in w.c. to 0-6000 psig.

PHOTOHELIC® GAGE SENSING - HOW IT WORKS

In a typical control application, the Photohelic® switch/gage controls between high and low pressure set points. When pressure changes, reaching either set point pressure, the beam from an LED to the limiting phototransistor will be cut off by the helix-driven light shield. The resulting signal change is electronically amplified to actuate its DPDT slave relay and switching occurs. Dead band between make and break is 1% of full scale or less - just enough to assure positive, chatter-free operation.

SPECIFICATIONS

GAGE SPECIFICATIONS

Service: Air and non-combustible, compatible gases.

Wetted Materials: Consult factory.

Accuracy: ±2% of full scale at 70°F (21.1°C). ±3% on -0 and ±4% on -00 models.

Pressure Limits: -20" Hg. to 25 psig (-0.677 to 1.72 bar). MP option; 35 psig (2.41 bar), HP option; 80 psig (5.52 bar). 36003S – 36010S; 150 psig (10.34 bar). 36020S and higher; 1.2 x full scale pressure.

Temperature Limits: 20 to 120°F (-6.67 to 48.9°C); Low temperature option available.

Process Connections: 1/8" female NPT.

Size: 4" (101.6 mm) dial face, 5" (127 mm) O.D. x 8-1/4" (209.55 mm).

Weight: 4 lb (1.81 kg).

SWITCH SPECIFICATIONS

Switch Type: Each setpoint has 2 Form C relays (DPDT).

Repeatability: ±1% of full scale.

Electrical Rating: 10A @ 28 VDC, 10A @ 120, 240 VAC.

Electrical Connections: Screw terminals.

Power Requirements: 120 VAC, 50/60 Hz; 240 VAC & 24 VAC; Power optional.

Mounting Orientation: Diaphragm in vertical position. Consult factory for other position orientations.

Set Point Adjustment: Adjustable knobs on face.

INSTALLATION

1. Location

All parts of the Dwyer® Photohelic® pressure switch/gage are ruggedly constructed and will stand a moderate amount of vibration, physical shock, and handling. Normal care in handling and installation is all that is required. In cases where instrument panel vibration is severe, the panel should be a spring mounted or the amplifier-relay unit mounted remotely on a more stable surface.

Select a location where the ambient temperature will not exceed 120°F. Pneumatic pressure sensing lines may be run any necessary distance. For example, 250 foot sensing lines will not affect accuracy but will damp the reading slightly. Do not restrict lines. If pulsating pressure or vibration causes excessive pointer oscillation or relay chatter, consult factory for additional damping means.

2. Position

The Photohelic® Pressure Switch/Gage may be mounted as an integral package or the amplifier-load relay assembly and housing may be mounted remotely from the indicating gage-phototransistor unit. Extension cords with 7 pin plugs and receptacles are available from Dwyer for interconnection of the two units.

The unit may be mounted in any desired position, scale vertical or horizontal, without affecting its accuracy, but must be rezeroed if position is changed from horizontal to vertical or vice versa. The -0 and -00 models must be mounted with the scale vertical.

3. Mounting

The Photohelic® Switch/Gage is normally mounted before making electrical connections, as the electrical enclosure is independent of the mounting means and may be removed at any time.

Panel Mounting

Normal mounting is flush or through panel is shown in Fig. 2. Be sure to allow 4-3/8" extra space behind the unit for electrical enclosure removal. Make a single 4-13/16" diameter hole in the panel. Insert the entire Photohelic® Switch/Gage unit from the front, then slip on the mounting ring and snap ring from the rear. Seat the snap ring in its groove, back up the mounting ring against snap ring and tighten the four (4) 2" No. 6-32 clamp screws provided. If behind panel space is critical, the amplifier-relay unit can be mounted remotely. See the Remote-Relay Mounting Instructions for details.

Through Panel Mounting

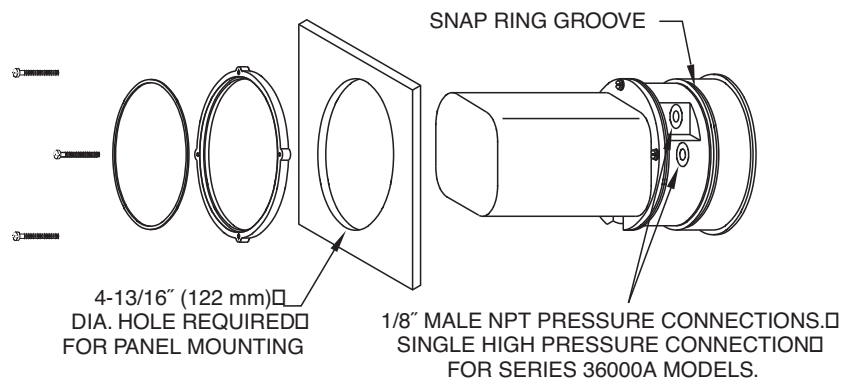


Fig. 2

Gage Mounting with Relays Remote

Where it is desirable to mount the amplifier-relay unit separate from the gage-phototransistor unit, the gage may be mounted either as shown in Fig. 2 (except less amplifier-relay portion) or surface mounted as shown in Fig. 3A. Use the layout shown in Fig. 3B to locate holes. The complete package cannot be surface mounted.

Surface Mounting

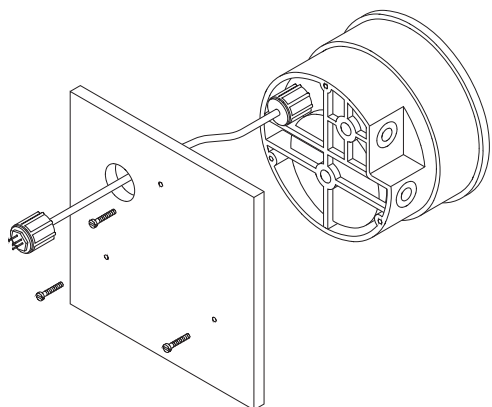


Fig. 3A

Hole Layout (Front)

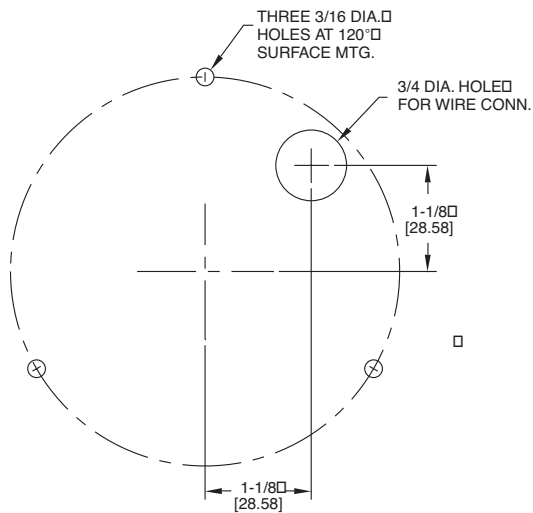


Fig. 3B

Remote Relays Mounting

The amplifier - relay unit may be mounted remotely as shown in Fig. 4A. Use the hole layout as shown in Fig. 4B for this option. Additional mounting information for special requirements is available from the factory.

Remote Amplifier-Relay Unit

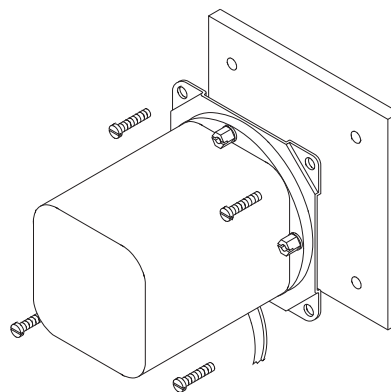


Fig. 4A

Hole Layout

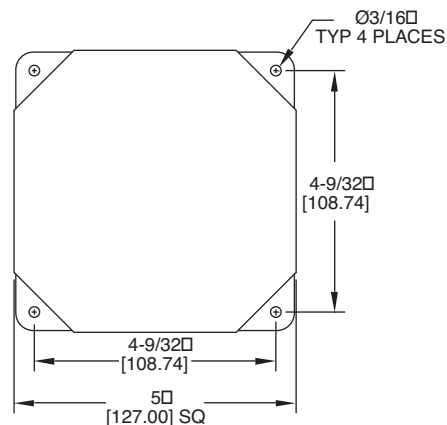


Fig. 4B

4. Pneumatic Connections & Zeroing

After installation but before making pressure connections, set the indicating pointer exactly on the zero mark, using the zero adjust screw located at the bottom of the front cover. Note that this adjustment can only be made with the high and low pressure taps both open to atmosphere.

Connect the high and low pressure taps to positive, negative, or differential pressure sensing points. Use 1/4" diameter metal or other instrument tubing and 1/8" NPT adaptors at the Dwyer®. Photohelic® pressure/switch gage. Adaptors for rubber or soft plastic tubing are furnished with the instrument for use where this type of connection is preferred.

If the Photohelic® Switch/Gage is not used to sense differential pressure, one of the pressure taps must be left open to atmosphere. This will allow the reference pressure to enter. In this case, installation of a Dwyer®. No. A-331 Filter Plug or similar fitting in the reference pressure tap is recommended to reduce the possibility of dust entering the instrument.

Note: If the Photohelic® switch/gage is over pressured, pointer may 'jump' from full scale back to zero and remain there until the excess pressure condition is relieved. Users should be aware of possible false zero pressure indications under this conditions.

ELECTRICAL CONNECTIONS

1. Cover

The amplifier-relay unit has an easy to remove housing. Remove the three (3) screws as shown in Fig. 5 and slide the housing off. Make all the electrical connections before reinstalling and refastening the housing.

2. Conduit

Electrical access to the connection box portion of the relay housing is by bottom opening for 3/4" conduit. Use of flexible conduit is recommended. It should be supported from the panel or other suitable surface to prevent the wiring system from exerting undue strain on the instrument. See Fig. 5.

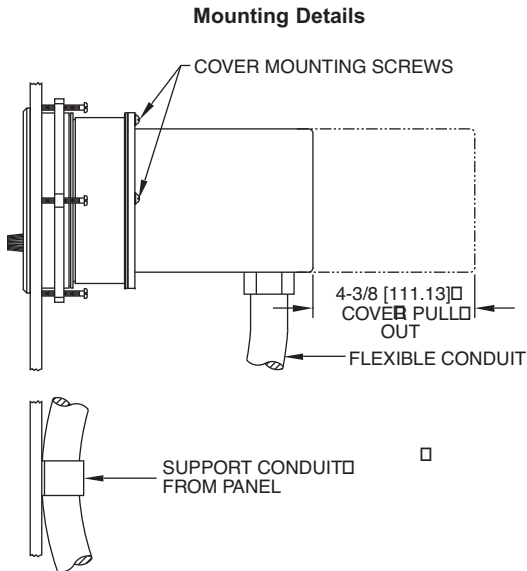


Fig. 5

3. Terminal or Connection Board Layout

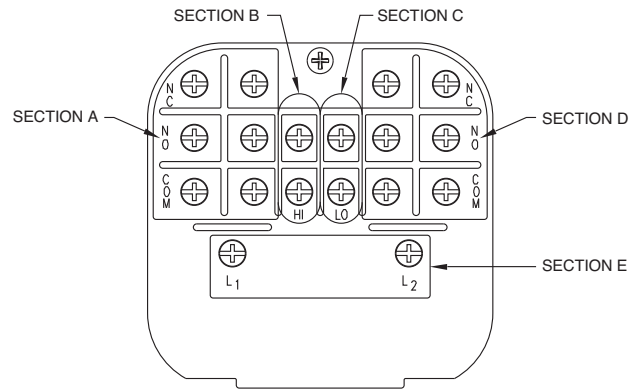
In Fig. 6, "Terminal Board", **Section A** contains the connections for the load or slave relay actuated by the high or right set-point. This relay is a double pole, double throw type. The two top connections are normally closed, the two middle connections are normally open, and the bottom connections are the common pair. The relay is in its normal or De-Energized position when pressure is below the right hand set-point.

Section D is exactly the same as Section A except that its load or slave relay is controlled by the low or left set-point. The De-Energized position is below the left hand pointer set-point.

Section B contains the external connections to the holding coil circuit for the high or right set-point relay and **Section C** contains similar connections for the low or left set-point relay. The function and use of these connections varies somewhat depending on the circuit style of the instrument. See paragraphs 5 and 6 for details.

Section E contains the power connections for the control unit transformer primary. The transformer in turn supplies reduced voltage power for the LED, phototransistor, amplifier unit, and load relay pull in and holding coils. Connections must always be made to this section in order to put the unit in operation. Standard units are designed for 117 VAC input to the transformer. Special units are also available for other voltages.

Terminal Board



CAUTION: Do not apply electrical current to terminals in sections B and C.

Fig. 6

Separate Ground Wire attachment is provided for by a No. 6-32 screw on the mounting bracket near the conduit opening. An additional ground wire connection is located on the side of the gage body for use when the amplifier-relay unit is mounted remotely.

Single Set-Point instruments are furnished with the right or high set-point components and circuitry in place. These are connected to Sections A and B of the terminal board. The left or low set-point components are omitted.

4. Circuit Style

The Photohelic® Switch/Gage is available with several factory installed optional internal circuits. They are identified as to style by a label shown in Fig. 7. This label is mounted prominently on the terminal board of each instrument. The letter H denotes a circuit in which the relay can be made to latch or remain energized after pressure increase to its set-point.

Circuit Label

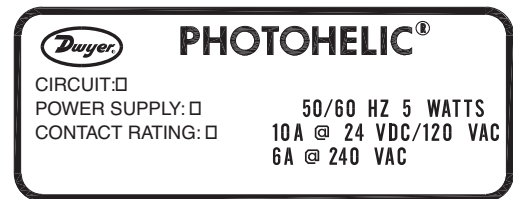


Fig. 7

The letter "L" denotes a circuit in which the relay can be made to latch or remain de-energized after pressure decrease to its set-point. Two letters are required to fully identify a dual set-point unit. Thus, circuit style HH, which is standard, is a dual set-point circuit which has provisions for latching on pressure increase to either set-point. Single relay units are identified by the letters "SR" followed by "H" for the standard unit or "L" for the special low latch unit. Units for use with other than standard 117 VAC will be so indicated on the label.

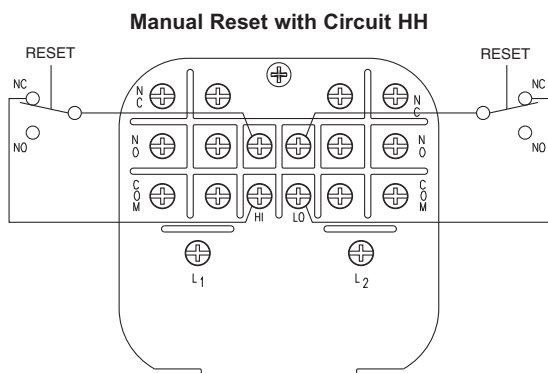
5. Dual Set Point Automatic Reset

Circuit Style HH is used for simple on-off switching applications. To place in service, connect load circuits to the appropriate terminals in Section A (Fig. 6) for the right set-point and Section D for the left set-point. Note the the N.O. contacts are open when the gage pressure pointer is to the left of the set-point pointers. No connections are necessary in Section B and C. Make external ground connections as required and connect power to Section E for the control unit. To use circuit style LL for automatic reset, a jumper wire must be installed between the upper and lower terminals in sections B and/or C.

6. Dual Set Point Manual Reset

Circuit Style HH may also be used for manual reset applications where it is desired to have maintained contact on either relay following pressure increase above its set-point. Load or signal connections are made to the appropriate terminals in Sections A and D (as in paragraph above). Connect terminals in Sections B and C through normally closed switches or push buttons as shown in Fig. 8. Use of "dry-circuit" type switches such as Dwyer Part No. A-601 with palladium, gold, etc. or rotary wiping action type contacts is recommended. Make external ground connections as required and connect power to Section E for the control unit.

Circuit style LL is used for manual reset applications which require that contact be maintained following pressure decrease below the set-point. Load connections are made to the appropriate terminals in Sections A and D. A normally open type manual reset switch such as Dwyer Part No. A-601 is connected to the terminals in sections B and C. The circuit must be "armed" by momentarily closing the switch while the black pointer is to the right of the set-point. From that point on, the circuit will latch on pressure decrease below the set-point and remain latched on pressure increase until manually reset with the optional switch.



CAUTION: Do not apply electrical current to terminals in sections B and C.

Fig. 8

7. Dual Set Point Automatic and Manual Reset Combinations

Circuit style HH may be used with either set-point wired and operating as in paragraph 5 and other set-point wired and operating as in paragraph 6.

8. High Low Limit Control - Dual Set-Point

Circuit style HH may be used to control fans, dampers, pumps, etc. between the set-points of a Photohelic® Switch/Gage. To accomplish this, use one set-point relay to reset the other as shown in the wiring diagram Fig. 9. In this typical application, the load (for instance a fan) would be connected to the N.C. contacts of the right set-point relay, Section A (Fig. 6). On pressure rise to the right set-point, its relay would pull in and hold even though pressure might then fall below that set-point, its relay would automatically be De-Energized, return to its normal position and in so doing, open the holding coil circuit from Section B (Fig. 6). The right set-point relay would thus be reset and the cycle could repeat.

9. Dual Set-Point Special Purpose Circuits

Circuit Style LL may be used where manual reset following maintained contact on pressure decrease to either set-point is desired. Circuit Styles HL and LH are combination units. For special combinations of features, special units, and detailed instructions regarding their use, consult factory.

10. Single Set-Point Photohelic® Switch/Gage

The single set-point Photohelic® Switch/Gage is furnished with the right set-point only. Terminals in Section A and B (Fig. 6) are connected to this relay. Circuit Style SRH is wired or automatic reset as in paragraph 5. Manual reset is accomplished by adding a normally closed reset switch or push button to the circuit as described in paragraph 6.

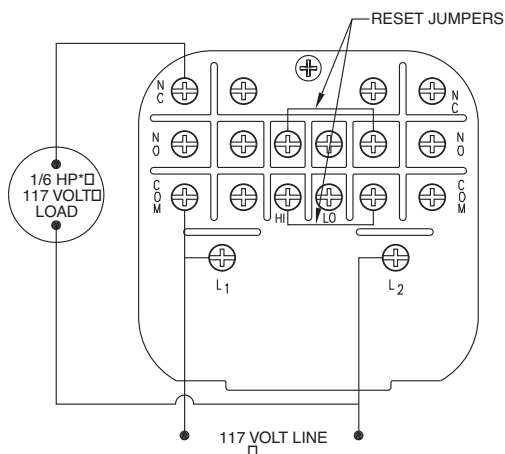
11. Single Set-Point Special

Manual reset after actuation on falling pressure can be obtained by using Circuit Style SRL. Consult the factory for special units and detailed instructions regarding their use.

12. Placing in Service

In normal operation each relay is de-energized when the pressure applied to the instrument is below its set-point. Special low-latching units will ordinarily have to be reset before placing on the line in normal operation.

High-Low Limit Control (Circuit HH)



***Note:** For larger motors, use the Photohelic® in a maintained contact, 117 Volt Control or Push Button Circuit of the motor starter.

Fig. 9

13. Failure Mode

The Photohelic® Switch/Gage circuit design provides certain protection in the event of a loss of pressure or electrical power. In either case, both relays will de-energize, returning to their normal "zero pressure" state. The exceptions to this are models with center zero ranges. Because the relays on all standard models are always energized when the indicating (black) pointer is to the right of their respective set points, the relay action on loss of pressure will depend on set-point position, since either of them could be located to the left of zero. As an example; if the left pointer were set at -2 in. w.c. and negative pressure was -3 in. w.c., a loss of that pressure would allow the black pointer to return to the center and thus cause the low set-point relay to energize.

MAINTENANCE

Photohelic® Switch/Gages are precision instruments, expertly assembled and calibrated at the factory. They require no lubrication or periodic servicing. If the interior is protected from dust, dirt corrosive gases and fluids, years of trouble-free service may be expected. Zero adjustment should be checked and reset occasionally to maintain accuracy. Any repairs necessary to either the Magnehelic® pressure gage or the electronic components should be performed by a trained instrument mechanic. In most cases, this is best accomplished by returning the complete Photohelic® Switch/Gage to the Dwyer Instruments, Inc. factory.

PHOTOHELIC® PRESSURE SWITCH/GAGE
MODEL AND RANGES

Model	Range, Inches of Water	Minor Div.	Model	Range, Zero Center Inches of Water	Minor Div.	Dual Scale Air Velocity Units (for use with pitot tube)			Model	Range CM of Water	Minor Div. CM	Model	Range, Zero Center Pascals	Minor Div. Pascals
						Model	Ranges, Inches of Water	Range, Air Velocity FPM						
3000-00	0-.25	.005	3300-0	.25-0-.25	.01	3000-00AV	0-.25	300-2000	3000-15CM	0-15	.50	3300-250Pa	125-0-125	125-0-125
3000-0	0-.50	.01	3301	.5-0-.5	.02	3000-0AV	0-50	500-2800	3000-20CM	0-20	.50	3300-500Pa	250-0-250	250-0-250
3001	0-1.0	.02	3302	1-0-1	.05	3001-AV	0-1.0	500-4000	3000-25CM	0-25	.50		Range Kilo-Pascals	Minor Div. Kilo-Pascals
3002	0-2.0	.05	3304	2-0-2	.10	3002-AV	0-2.0	1000-5600	3000-50CM	0-50	1.0			
3003	0-3.0	.10	3310	5-0-5	.20	3010-AV	0-10	2000-12500	3000-80CM	0-80	2.0	Model		
3004	0-4.0	.10	3320	10-0-10	.50		Range, MM of Water	Minor Div. MM	3000-100CM	0-100	2.0	3000-1kPa	0-1.0	.02
3005	0-5.0	.10	3330	15-0-15	1.0				3000-150CM	0-150	5.0	3000-1.5kPa	0-1.5	.05
3006	0-6.0	.20				Model			3000-200CM	0-200	5.0	3000-2kPa	0-2.0	.05
3008	0-8.0	.20				3000-6MM	0-6	.20	3000-250CM	0-250	5.0	3000-3kPa	0-3.0	.10
3010	0-10	.20				3000-10MM	0-10	.50	3000-300CM	0-300	10.0	3000-4kPa	0-4.0	.10
3015	0-15	.50	Model	Range PSIG	Minor Div. PSIG	3000-25MM	0-25	.50		Range, Zero Center CM of Water	Minor Div. CM	3000-5kPa	0-5.0	.10
3020	0-20	.50	3201	0-1	.02	3000-50MM	0-50	1.0				3000-8kPa	0-8.0	.20
3025	0-25	.50	3202	0-2	.05	3000-80MM	0-80	2.0				3000-10kPa	0-10	.20
3030	0-30	1.0	3203	0-3	.10	3000-100MM	0-100	2.0	Model			3000-15kPa	0-15	.50
3040	0-40	1.0	3204	0-4	.10		Range, Zero Center MM of Water	Minor Div. MM	3300-4CM	2-0-2	.10	3000-20kPa	0-20	.50
3050	0-50	1.0	3205	0-5	.10				3300-10CM	5-0-5	.20	3000-25kPa	0-25	.50
3060	0-60	2.0	3210	0-10	.20				3300-30CM	15-0-15	1.0	3000-30kPa	0-30	1.0
3080	0-80	2.0	3215	0-15	.50	Model				Range, Pascals	Minor Div. Pascals		Range, Zero Center Kilo-pascals	Minor Div. Kilo-pascals
3100	0-100	2.0	3220	0-20	.50	3300-20MM	10-0-10	.50				3300-1kPa	.5-0-.5	.02
3150	0-150	5.0	3230	0-30	1.0							3300-3kPa	1.5-0-1.5	.10
			36003S	0-30	1.0									
			36006S	0-60	2.0									
			36010S	0-100	2.0									
			36020S	0-200	5.0									
			36030S	0-300	10									
			36060S	0-600	20									
			36100S	0-1000	20									
			36300S	0-3000	100									
			36600S	0-6000	200									

*Note: The Photohelic® pressure switch/gage may be used in an Under Writers Laboratories approved industrial control panel if the usage conforms to UL specifications for the acceptance of unlisted components.



El Interruptor/Indicador de Presión Photohelic® Serie 3000*

INSTRUCCIONES Y OPERACION

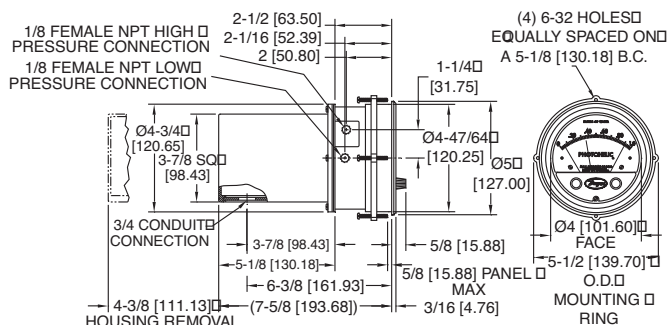


Figura 1

El Interruptor/Indicador de Presión Photohelic® es un interruptor de presión muy versátil y preciso, combinado con el indicador de presión de respuesta rápida Magnehelic®. Los modelos están disponibles con uno o dos fototransistores que actúan sobre relés. A la lectura del indicador no le afecta la operación del interruptor. Facilidad de ajuste del punto de trabajo mediante botones de control. Las presión aplicada y los puntos de interrupción (disparos) son claramente visibles en todo momento. La banda muerta tiene una anchura de menos del 1% del fondo de escala. Los relés de doble circuito, doble disparo pueden ser fácilmente entrelazados para proporcionar un control variable de la banda muerta. Para presión positiva, negativa y diferencial; para modelos de un sólo relé, presión positiva sólo en modelo 36000S. Rangos de fondo escala disponibles de 0 - 0.25" c.a. a 0 - 6000 psig.

SENTIDO DEL PHOTOHELIC® - SU FUNCIONAMIENTO

En una aplicación de control típica, el interruptor/indicador Photohelic® controla entre los puntos de trabajo de alta y baja presión. Cuando la presión cambia, alcanzando cualquier presión del punto de trabajo, el haz de luz de un LED dirigido hacia el fototransistor limitador será interrumpido por el escudo de luz del eje helicoidal. El cambio de la señal resultante es electrónicamente amplificada para actuar sobre su relé esclavo DPDT y ocasiona el disparo del interruptor. La banda muerta entre lo marcado y el corte es del 1% del fondo de escala o menor. Suficiente para asegurar una operación positiva y libre de errores.

ESPECIFICACIONES

GAGE SPECIFICATIONS

Service: Air and non-combustible, compatible gases.

Wetted Materials: Consult factory.

Accuracy: ±2% of full scale at 70°F (21.1°C). ±3% on -0 and ±4% on -00 models.

Pressure Limits: -20" Hg. to 25 psig (-0.677 to 1.72 bar). MP option; 35 psig (2.41 bar), HP option; 80 psig (5.52 bar). 36003S - 36010S; 150 psig (10.34 bar). 36020S and higher; 1.2 x full scale pressure.

Temperature Limits: 20 to 120°F.

(-6.67 to 48.9°C) Low temperature option available.

Process Connections: 1/8" female NPT.

Size: 4" (101.6 mm) dial face, 5" (127 mm) O.D. x 8-1/4" (209.55 mm).

Weight: 4 lb (1.81 kg).

SWITCH SPECIFICATIONS

Switch Type: Each setpoint has 2 Form C relays (DPDT).

Repeatability: ±1% of full scale.

Electrical Rating: 10A @ 28 VDC, 10A @ 120, 240 VAC.

Electrical Connections: Screw terminals.

Power Requirements: 120 VAC, 50/60 Hz; 240 VAC & 24 VAC Power optional.

Mounting Orientation: Diaphragm in vertical position. Consult factory for other position orientations.

Set Point Adjustment: Adjustable knobs on face.

INSTALACION

Localización: Todas las partes del interruptor/indicador Photohelic® de Dwyer® están robustamente construidas para soportar una moderada cantidad de vibración, impacto físico y manejo del mismo. Un cuidado normal en su manejo e instalación es todo lo que se precisa. En los casos en los que la vibración del panel de instrumentos sea intensa, éste deberá estar montado sobre algún resorte, o bien, la unidad del relé-amplificador estar montada en una superficie más estable.

Elegir un lugar donde la temperatura ambiente no exceda de 120°F (49°C).

Las líneas sensoras de presión neumática deben alargarse a la distancia que sea necesaria. Por ejemplo, 250 pies (75 m) de líneas sensoras no afectarán a la precisión, pero amortiguarán la lectura ligeramente. Si la presión pulsante o la vibración dan lugar a un punto de excesiva oscilación o el relé castaña, consultar con la fábrica para medios adicionales de amortiguamiento. Ver accesorios adecuados con el Boletín S-101.

Pocisión: El Photohelic® debe ser montado como un conjunto compacto, o bien el modulo rele carga-amplificador ensamblado y su carcasa se monta en un lugar remoto de la unidad indicador-fototransistor. Los cables de extgension con conexion de 7 pies y los conectores están disponibles en Dwyer para interconectar las dos unidades.

La unidad puede estar montada en la posición que se desee, la escala vertical u horizontal, sin que ello afecta a la precisión, pero debe ser recalibrado el cero si la posición cambia de horizontal a vertical o viceversa. Los models - 0 y - 00 deben estar montados con la escala vertical.

Montaje: El Photohelic® se monta normalmente antes de hacer las conexiones eléctricas, por lo tanto la carcasa eléctrica es independiente de la forma me montaje y puede ser quitada en cualquier momento.

Montaje en Panel: El montaje normal es embutir o atravesar el panel como muestra la Fig. 2. Asegúrase de que deja un espacio extra de 4-3/8" (111 mm) detrás de la unidad; quitar la carcasa eléctrica. Hacer un simple agujero de 4 13/16" (122 mm) de diametro en el panel. Inserter todo el Photohelic® por el frontal del panel, luego deslizar el anillo de sujección y encajar el anillo por la parte de atrás. Coloque el anillo de sujección en su ranura, mueva hacia atrás el anillo de sujección y una vez más encaje el anillo y apriete los cuatro (4) tornillos de abrazadera de 2" (50 mm) No. 6-32 que se suministran. Si el espacio detrás del panel es crítico, la unidad relé-amplificador se puede montar de forma remota. Ver Instrucciones de Mantaje de Relé Remoto para más detalles.

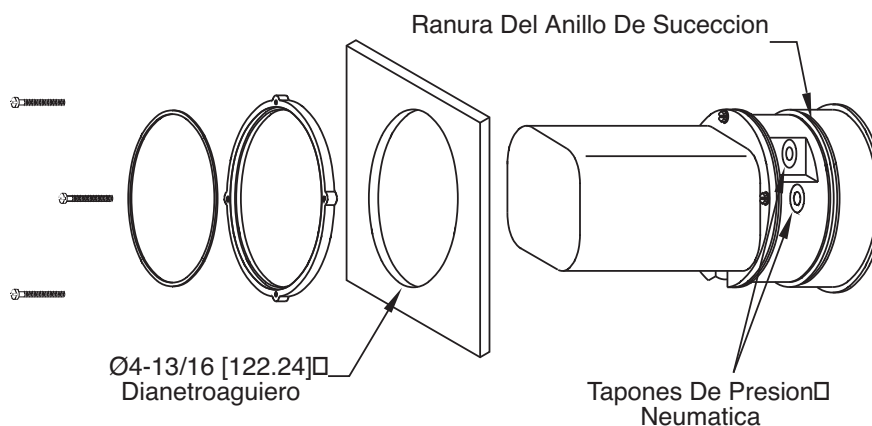


Figura 2
Atraves del Panel de Montaje

Montaje del Indicador con los Relés Remotos: Donde se desee montar la unidad relé-amplificador separada de la unidad indicador/fototransistor, el indicador puede montarse de cualquiera de las maneras mostradas en la Fig. 2 (excepto la parte del relé-amplificador) o montarse sobre superficie como se muestra en la Fig 3A. Utilice el trazado mostrado en la Fig. 3B para localizer los agujeros. El conjunto completo no se puede montar sobre superficie.

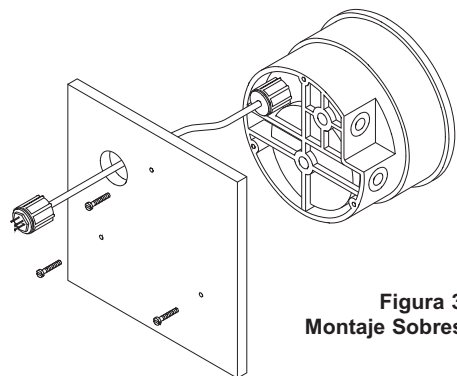


Figura 3A
Montaje Sobresuperficie

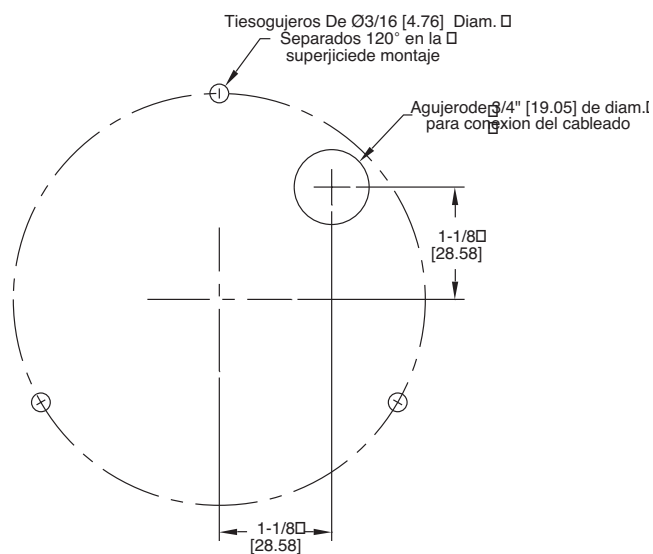


Figura 3B
Esquema del Agujero (de frente)

Montaje Remoto de los Relés: La unidad relé-amplificador puede montarse remotamente como se muestra en la Fig. 4A. Ulice el trazado de agujeros que se muestra en la Fig. 4B para esta opción. Para mas información sobre el montaje para requerimientos especiales, consulte con la fabrica.

Conexiones Neumaticas y Ajuste del Cero: Después de la instalación, pero antes de hacer las conexiones de presión, coloque el puntero de indicación (la aguja) exactamente sobre la marca del cero, usando el tornillo de ajuste del cero situado en la parte de abajo de la cubierta frontal. Tenga en cuenta que este ajuste sólo se pueda hacer con las espitas de alta y baja presión abiertas a la atmósfera.

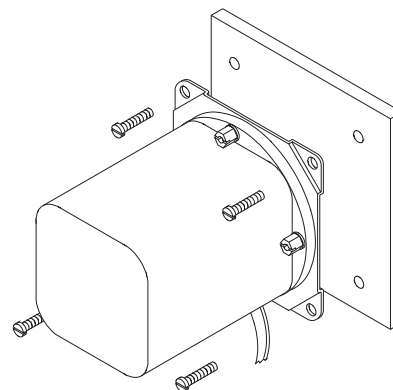


Figura 4A
Unidad Relé-Amplificador Remota

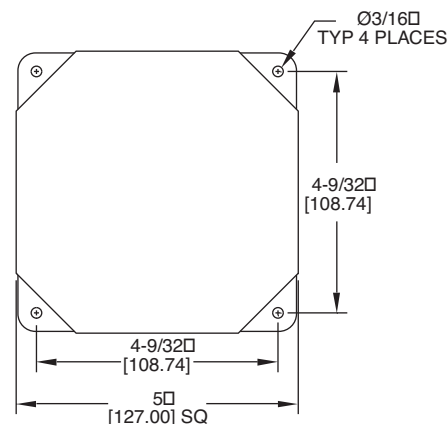


Figura 4B
Esquema de los Agujeros

Conecte las espitas de alta y baja presión a los puntos de presión positiva, negativa o diferencial. Utilice tubo metálico de 4" NPT (3.175 mm) del interruptor/indicador de presión Photohelic® de Dwyer®. Los adaptores para tubos de caucho o de plástico blando son proporcionados con el instrumento para utilizarlos cuando se prefiera este tipo de conexión.

Si el Photohelic® no se usa para detectar presión diferencial, una de las espitas de presión debe abierta a la atmósfera. Esto permitirá la entrada de la presión de referencia. En este caso, se recomienda la instalación de un filtro de Dwyer® No. A-331 u otro similar apropiado en la espita de la presión de referencia para reducir la posibilidad de entrada de polvo en el instrumento.

Nota: Si el interruptor/indicador Photohelic® está sobre-presionado, el puntero (aguja) "salta" desde el final de la escala hasta el cero y se mantiene ahí hasta que la condición de exceso de presión se alivia. Los usuarios deberían ser consecuentes de las posible indicaciones de falso cero bajo esta condición.

CONEXIONES ELECTRICAS

1. Cubierta: La unidad relé-amplificador tiene una carcasa fácil de quitar. Quite los tres (3) tornillos como se muestra en la Fig. 5 y deslice hacia afuera la carcasa. Haga todas las conexiones eléctricas antes de reinstalar y reasegurar la carcasa.

2. Conducto: El acceso eléctrico a la parte de la carcasa del relé de la caja de conexión se hace abriendo un tapón para conductos de (19 mm). Se recomienda el uso de conductos flexibles. Este se sujetaría al panel u otra superficie apta para prevenir el sistema de cableado de un esfuerzo de tensión indebido en el instrumento. Ver Fig. 5.

3. Esquema del Terminal o Placa de Conexión: En la Fig. 6, "Placa de Terminales," la **Seccion A** contiene las conexiones para al relé de carga o esclavo actuado por el punto de trabajo derecho o de alta. Este relé es de tipo doble polo, de doble circuito. Las dos conexiones superiores son normalmente cerradas, las dos del medio son normalmente abiertas y las dos de abajo son el común. El relé está en su posición normal o des-energizado cuando la presión está por debajo del punto de trabajo del lado derecho (del alta).

La **Seccion D** es exactamente igual que la **Seccion A**, excepto que su relé de carga o esclavo está controlado por el punto de trabajo izquierdo o de baja. La posición des-energizada está por debajo del punto de trabajo del lado izquierdo (de baja).

La **Seccion B** contiene las conexiones externas para el mantenimiento del circuito bobinado para relé del punto de trabajo derecho o de alta y la **Seccion C**, contiene conexiones similares para el relé del punto de trabajo izquierdo o de baja. La función y uso de estas conexiones varía algo dependiendo del tipo de circuito del instrumento. Ver párrafos 5 y 6 para más detalles.

La **Seccion E** contiene las conexiones de alimentación para el transformador primario de la unidad de control. El transformador a cambio suministra un reducido voltaje de alimentación para el LED, el fototransistor, la unidad amplificadora y tirar del relé descarga y mantener el bobinado. Las unidades estándar están diseñadas para 117 VCA de entrada al transformador. También están disponibles unidades especiales para otros voltajes.

Está provisto de una atadura para **Cable Separado a Tierra** mediante un tornillo No. 6-32 en la repisa montada cerca de la abertura del conducto. Está localizado un cable adicional a tierra en el lateral del cuerpo de indicación para usarlo cuando la unidad relé-amplificador está montada remotamente.

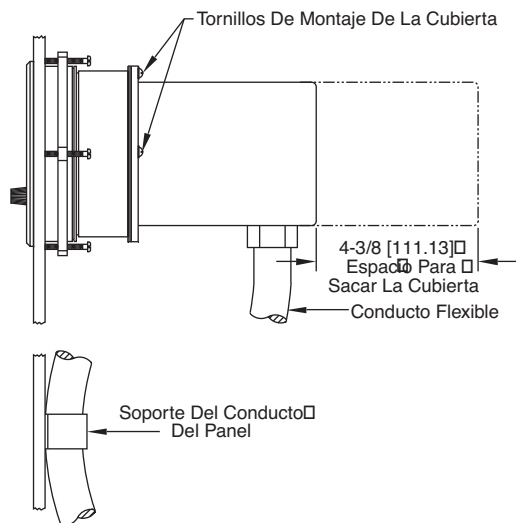


Figura 5
Detalles del Montaje

Los instrumentos de un **Punto de Trabajo** se suministran con los componentes del punto de trabajo de alta o derecho y la circuitería correspondiente. Esta está conectada a las Secciones A y B de la placa de terminales. Los componentes del punto de trabajo izquierdo o de baja están omitidos.

4. Tipo de Circuito: El Photohelic® está disponible con varios circuitos internos opcionales instalados en fábrica. Están identificados como tipo por una etiqueta mostrada en la Fig. 7. Esta etiqueta se monta de forma prominente en la placa de terminal de cada instrumento. La letra H indica un circuito cuyo relé puede pasar a almacenar un estado eléctrico o retenerse energizado (activado) después de que la presión sobrepase o un incremento su punto de trabajo.

La letra L indica un circuito en el cual el relé pueda pasar a almacenar un estado eléctrico o retenerse des-energizado después de que la presión sobrepase por decremento su punto de trabajo. Se necesitan dos letras para identificar completamente una unidad de doble punto de trabajo. Así, el circuito de tipo HH, el cual es el estándar, es un circuito de doble punto de trabajo, el cual está provisto para el almacenamiento de estados de corriente (latching) cuando ambos puntos de trabajo son sobrepasados por un incremento de la presión. Las unidades de un sólo relé están identificadas por las letras SR seguidas de una H para la unidad estándar o por una L para unidades especiales de almacenamiento de estado de corriente (latch) en decremento. Las unidades para usar con otros estándares distintos de 117 VCA serán así indicados en la etiqueta.

5. Reset Automatico de Doble Punto de Trabajo: El circuito tipo HH se usa para aplicaciones simples de interruptor on-off. Para ponerlo en servicio conecte los circuitos de carga a los terminales apropiados en la Sección A (Fig. 8) para el punto de trabajo derecho y en la Sección D para el punto de trabajo izquierdo. No son necesarias las conexiones en las Secciones B y C. Tenga en cuenta que los contactos N.A. están abiertos cuando la aguja del indicador de presión está a la izquierda de los punteros de los puntos de trabajo. No es necesaria ninguna conexión en las Secciones B y C. Haga las conexiones externas a tierra como se requieren y conecte la alimentación a la Sección E para el control de la unidad.

Para usar el circuito tipo LL para reset automatico, se debe instalar un puente de hilo entre los terminales superior e inferior de las secciones b y/o C.

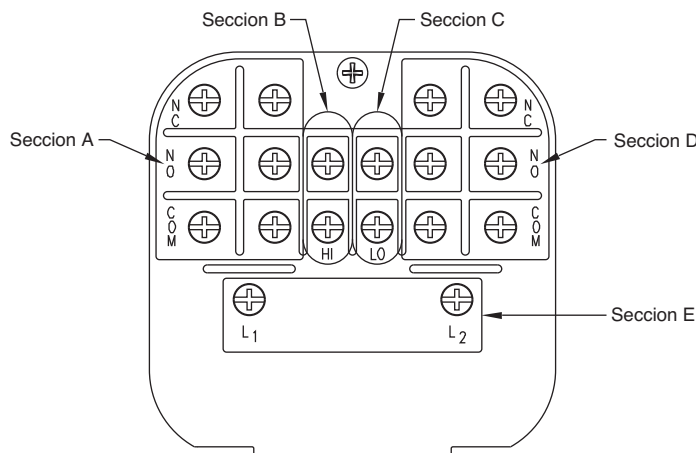
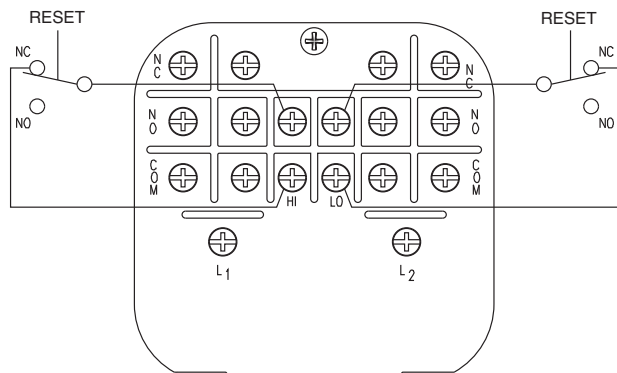


Figura 6
Placa de Terminales



Figura 7 Etiqueta del Circuito

6. Reset Manual de Doble Punto de Trabajo: El circuito tipo HH también se puede utilizar para aplicaciones con reset manual donde se desee hacer un contacto mantenido sobre cualquier relé después de que la presión haya aumentado por encima de su punto de trabajo. Las conexiones de carga o señal se hacen a los terminales apropiados en las Secciones A y D (como en el párrafo 5 anterior). Conectar los terminales en las secciones B y C mediante interruptores Normalmente Cerrado (N.C.) o pulsadores como se muestra en la Fig. 8. Se recomienda el uso de interruptores tipo "dry-circuit" (circuito seco), tales como el Dwyer P/N A-601 con contactos de paladio, oro, etc., o de tipo rotativo protegidos del exterior. Haga las conexiones externas a tierra como se requiere y conecte la alimentación a la Sección E para el control de la unidad.

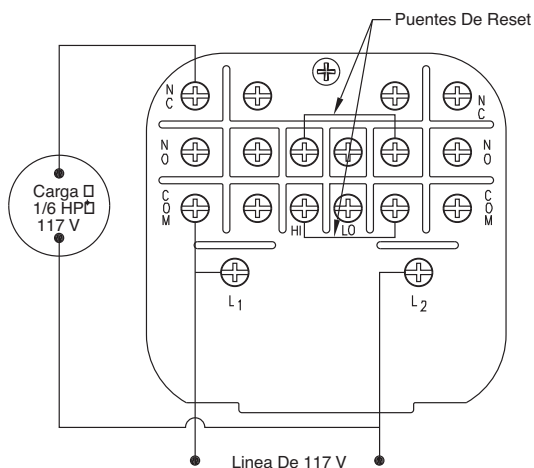


PRECAUCION: No aplicar corriente eléctrica a los terminales de las secciones B y C.
Figura 8 Reset Manual con Circuito HH

El circuito LL se usa para aplicaciones de reset manual en las cuales se requiere que el contacto se mantenga después de que la presión haya disminuido por debajo del punto de trabajo.

Las conexiones de carga se hacen a los terminales apropiados en las Secciones A y D. Se conecta un interruptor de tipo N.A., para el reset manual, tal como el Dwyer P/N A-601, a los terminales de las Secciones B y C. El circuito puede quedar "arruinado" por un cierre momentáneo del interruptor mientras la aguja negra está a la derecha del punto de trabajo. Desde ese punto, el circuito almacena el estado de corriente cuando la presión decrece por debajo del punto de trabajo y retiene este estado de corriente cuando la presión vuelve a crecer, hasta que se hace un reset manualmente con el interruptor opcional.

7. Combinaciones de Reset Manual y Automático de Doble Punto de Trabajo: El circuito tipo HH puede usarse con cualquiera de los puntos de trabajo, cableado y operando como en el párrafo 5 anterior y el otro punto de trabajo cableado y operando como en el párrafo 8.



Nota: Para motores mayores, utilice el Photohelic en un contacto mantenido, controle los 117 V ó pulse el botón del circuito del starter del motor.

Figura 9 Control de Límite Alta-Baja (Circuito HH)

8. Control del Límite Alta Baja-Doble Punto de Trabajo: El circuito tipo HH puede usarse para controlar ventiladores, tiros, bombas, etc., entre los puntos de trabajo de un Photohelic®. Para efectuar esto, use el relé de un punto de trabajo para hacer reset del otro como se muestra en el diagrama eléctrico de la Fig. 9. En esta típica aplicación la carga (por ejemplo, un ventilador) se conectaría a los contactos N.C. del relé del punto de trabajo, Sección A (Fig. 6). Al aumentar la presión en el punto de trabajo derecho, su relé se cargaría y se mantendría aunque la presión pudiera caer por debajo de ese punto de trabajo. Si la presión continúa cayendo hasta el punto de trabajo izquierdo, su relé se desenergizaría automáticamente, volviendo a su posición normal y, en tal situación, se abre el circuito del bobinado mantenido de la Sección B (Fig. 6). El relé del punto de trabajo derecho se haría así un reset y el ciclo se repetiría.

9. Circuitos de Doble Punto de Trabajo de Propósito Especial: El circuito tipo LL se puede usar donde se desee de forma que al hacer un reset manual se mantenga el contacto al decrecer la presión en cualquiera de los puntos de trabajo. Los circuitos tipo LH y HL son unidades hechas con combinaciones. Para características especiales de combinaciones, unidades especiales e instrucciones detalladas en cuanto a su uso, consulte con la fábrica.

10. Photohelic® de un Punto de Trabajo: El Photohelic® de un punto de trabajo derecho solamente. Los terminales de las Secciones A y B (Fig. 6) están conectados a este relé. El circuito tipo SRH está cableado para reset automático, como se explica en el párrafo 5 anterior. El reset manual está efectuado para añadir un interruptor de reset tipo N.C. o un pulsador al circuito descrito en el párrafo 6 anterior.

11. Punto de Trabajo Único Especial: Se puede obtener un reset manual después de la actuación en caída de presión al usar un circuito tipo SRL. Consulte con la fábrica para unidades especiales e instrucciones detalladas en cuanto a su uso.

12. Situación en Servicio: En operación normal cada relé se desenergiza cuando la presión aplicada al instrumento está por debajo de su punto de trabajo. Las unidades especiales de almacenamiento de estado eléctrico en bajada, generalmente se les tendrá que hacer un reset antes de situarlas en la línea en operación normal.

13. Modo de Fallo: El diseño del circuito del Photohelic® está provisto de cierta protección en caso de una pérdida de presión o de alimentación eléctrica. En cualquier caso, ambos relés se desenergizarán, volviendo a su estado normal de "Presión Cero." Las excepciones a esto son modelos con rangos de cero centrado. Debido a que los relés en todos los modelos estándar están siempre energizados cuando la aguja indicadora está a la derecha de sus respectivos puntos de trabajo, la acción del relé en la pérdida de presión dependerá de la posición del punto de trabajo, desde cualquiera de ellos se podría localizar a la izquierda del cero. Como ejemplo: Si el puntero izquierdo estuviera ajustado a -2" c.a. y la presión negativa fuera de -3" c.a., una pérdida de esa presión permitiría que la aguja indicadora (negra) volviera al centro y así causa que el relé del punto de trabajo en baja se energice.

MANTENIMIENTO Y SERVICIO

Los Interruptores/Indicadores Photohelic® de Dwyer® son instrumentos de precisión, expertamente ensamblados y calibrados en la fábrica. No necesitan lubricación o revisiones periódicas. Si el interior está protegido del polvo, suciedad, gases corrosivos y fluidos, se pueden esperar años de servicio sin ningún problema.

El ajuste del cero debería ser revisado y reajustado de vez en cuando para mantener la precisión.

Cualquier reparación necesaria para cualquiera de los indicadores de presión Magnehelic® de Dwyer® o para los componentes electrónicos debería ser realizada por un mecánico entrenado de instrumentos. En muchos casos, la mejor elección es mandar al interruptor/indicador completo Photohelic a la fábrica de Dwyer.

El Interruptor/Indicador de Presión Photohelic®

Los Modelos y Rangos

Model	Range, Inches of Water	Minor Div.	Model	Range, Zero Center Inches of Water	Minor Div.	Dual Scale Air Velocity Units (for use with pitot tube)			Model	Range CM of Water	Minor Div. CM	Model	Range, Zero Center Pascals	Minor Div. Pascals
						Model	Ranges, Inches of Water	Range, Air Velocity FPM						
3000-00	0-.25	.005	3300-0	.25-0-.25	.01	3000-00AV	0-.25	300-2000	3000-15CM	0-15	.50	3300-250Pa	125-0-125	125-0-125
3000-0	0-.50	.01	3301	.5-0-.5	.02	3000-0AV	0-50	500-2800	3000-20CM	0-20	.50	3300-500Pa	250-0-250	250-0-250
3001	0-1.0	.02	3302	1-0-1	.05	3001-AV	0-1.0	500-4000	3000-25CM	0-25	.50		Range	Minor Div.
3002	0-2.0	.05	3304	2-0-2	.10	3002-AV	0-2.0	1000-5600	3000-50CM	0-50	1.0		Kilo-Pascals	Kilo-Pascals
3003	0-3.0	.10	3310	5-0-5	.20	3010-AV	0-10	2000-12500	3000-80CM	0-80	2.0	Model	Range	Minor Div.
3004	0-4.0	.10	3320	10-0-10	.50		Range, MM of Water	Minor Div. MM	3000-100CM	0-100	2.0	3000-1kPa	0-1.0	.02
3005	0-5.0	.10	3330	15-0-15	1.0		Range, MM of Water	Minor Div. MM	3000-150CM	0-150	5.0	3000-1.5kPa	0-1.5	.05
3006	0-6.0	.20				Model	Range, MM of Water	Minor Div. MM	3000-200CM	0-200	5.0	3000-2kPa	0-2.0	.05
3008	0-8.0	.20				3000-6MM	0-6	.20	3000-250CM	0-250	5.0	3000-3kPa	0-3.0	.10
3010	0-10	.20				3000-10MM	0-10	.50	3000-300CM	0-300	10.0	3000-4kPa	0-4.0	.10
3015	0-15	.50	Model	Range PSIG	Minor Div. PSIG	3000-25MM	0-25	.50		Range, Zero Center CM of Water	Minor Div. CM	3000-5kPa	0-5.0	.10
3020	0-20	.50	3201	0-1	.02	3000-50MM	0-50	1.0	Model	Range, Zero Center CM of Water	Minor Div. CM	3000-8kPa	0-8.0	.20
3025	0-25	.50	3202	0-2	.05	3000-80MM	0-80	2.0	3300-4CM	2-0-2	.10	3000-10kPa	0-10	.20
3030	0-30	1.0	3203	0-3	.10	3000-100MM	0-100	2.0	3300-10CM	5-0-5	.20	3000-15kPa	0-15	.50
3040	0-40	1.0	3204	0-4	.10		Range, Zero Center MM of Water	Minor Div. MM	3300-30CM	15-0-15	1.0	3000-20kPa	0-20	.50
3050	0-50	1.0	3205	0-5	.10		Range, Zero Center MM of Water	Minor Div. MM		Range, Pascals	Minor Div. Pascals	3000-25kPa	0-25	.50
3060	0-60	2.0	3210	0-10	.20	Model	Range, Zero Center MM of Water	Minor Div. MM	Model	Range, Pascals	Minor Div. Pascals	3000-30kPa	0-30	1.0
3080	0-80	2.0	3215	0-15	.50	3300-20MM	10-0-10	.50		Range, Zero Center Kilo-pascals	Minor Div. Kilo-pascals		Range, Zero Center Kilo-pascals	Minor Div. Kilo-pascals
3100	0-100	2.0	3220	0-20	.50		Range, Zero Center MM of Water	Minor Div. MM	3000-60Pa	0-60	2.0	Model	Range, Zero Center Kilo-pascals	Minor Div. Kilo-pascals
3150	0-150	5.0	3230	0-30	1.0		Range, Zero Center MM of Water	Minor Div. MM	3000-125Pa	0-125	5.0	3300-1kPa	5-0-5	.02
			36003S	0-30	1.0		Range, Zero Center MM of Water	Minor Div. MM	3000-250Pa	0-250	5.0	3300-3kPa	1.5-0-1.5	.10
			36006S	0-60	2.0		Range, Zero Center MM of Water	Minor Div. MM	3000-500Pa	0-500	10.0			
			36010S	0-100	2.0		Range, Zero Center MM of Water	Minor Div. MM	3000-750Pa	0-750	25.0			
			36020S	0-200	5.0		Range, Zero Center MM of Water	Minor Div. MM						
			36030S	0-300	10		Range, Zero Center MM of Water	Minor Div. MM						
			36060S	0-600	20		Range, Zero Center MM of Water	Minor Div. MM						
			36100S	0-1000	20		Range, Zero Center MM of Water	Minor Div. MM						
			36300S	0-3000	100		Range, Zero Center MM of Water	Minor Div. MM						
			36600S	0-6000	200		Range, Zero Center MM of Water	Minor Div. MM						