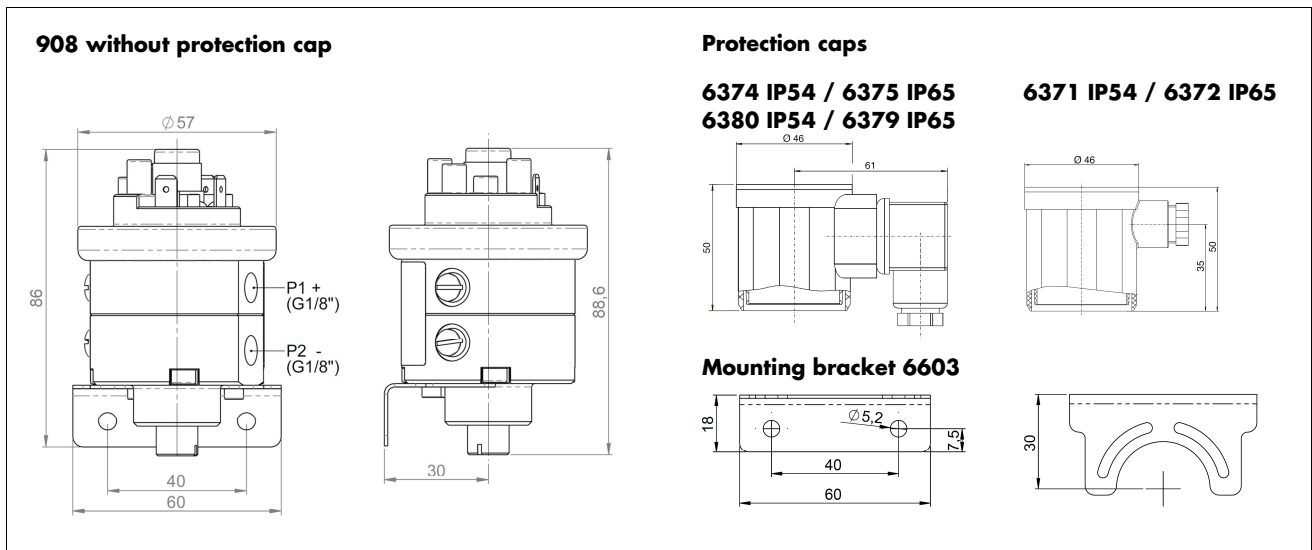


Differential pressure switch 908



Order matrix		908.3	X	X	X	X	X	X	X	X
Pressure ranges	40 ÷ 200 mbar 150 ÷ 1000 mbar		2							
Accuracy	Standard		4	1						
Overpressure range	10 bar			1						
Diaphragm material	NBR EPDM Silicone FKM / FPM				1 2 3 4					
Pressure connection	G 1/8" inner thread, Brass					M				
Switch contacts	Low voltage 6A / 250VAC 10A / 250VAC							1 4 5		
Protection cap	Without protection cap Protection cap IP54 with cable conduit M16 Protection cap IP65 with cable conduit M16 Protection cap IP54 with connector, Shape A, to EN 175301-803, with cable Protection cap IP65 with connector, Shape A, to EN 175301-803, with cable Protection cap IP54 with connector, Shape A, to EN 175301-803, without cable Protection cap IP65 with connector, Shape A, to EN 175301-803, without cable								0 1 2 3 4 5 6	
Mounting bracket	Without mounting bracket L-shaped With mounting bracket									0 1

Accessories	Article-No
Protection cap IP54 with cable conduit M16	6371
Protection cap IP65 with cable conduit M16	6372
Protection cap IP54 with connector, Shape A, to EN 175301-803, with cable	6380
Protection cap IP65 with connector, Shape A, to EN 175301-803, with cable	6379
Protection cap IP54 with connector, Shape A, to EN 175301-803, without cable	6374
Protection cap IP65 with connector, Shape A, to EN 175301-803, without cable	6375
Mounting bracket L-shaped	6603

