

ART 312-A MK4

ACTIVE TWO-WAY SPEAKER

DESCRIPTION

Active speakers for live sound reinforcement and stage monitoring as well as distributed sound systems for clubs, music venues and corporate events. ART 312-A MK4 is the optimum choice for live sound situations where an exceptional full range, outstanding bass reproduction and accurate high frequency delivery are required



FEATURES

- 128 dB Max SPL
- 800 WATT 2-way peak power
- DSP Processing with FiRPHASE
- 12" woofer, high power 2.5" voice coil
- 1" HF driver, mylar dome, 1.5" voice coil

TECHNICAL SPECIFICATIONS

Acoustical specifications	Frequency Response:	50 Hz ÷ 20000 Hz
	Max SPL @ 1m:	128 dB
	Horizontal coverage angle:	90°
	Vertical coverage angle:	60°
Transducers	Compression Driver:	1 x 1.0", 1.5" v.c
	Woofers:	12", 2.5" v.c
Input/Output section	Input signal:	bal/unbal
	Input connectors:	XLR, Jack
	Output connectors:	XLR
	Input sensitivity:	-2 dBu/+4 dBu
	Mic. Input Sensitivity:	-32 dBu
Processor section	Crossover Frequencies:	1800 Hz
	Protections:	Thermal, RMS
	Limiter:	Soft Limiter
	Controls:	Volume, Boost, Mic/Line
Power section	Total Power:	800 W Peak, 400 W RMS
	High frequencies:	200 W Peak, 100 W RMS
	Low frequencies:	600 W Peak, 300 W RMS
	Cooling:	Convection
	Connections:	VDE
Standard compliance	CE marking:	Yes
Physical specifications	Cabinet/Case Material:	PP Composite
	Hardware:	4 x M10
	Handles:	1 Top, 2 Side
	Pole mount/Cap:	Yes
	Grille:	Steel
	Color:	Black
Size	Height:	680 mm / 26.77 inches
	Width:	405 mm / 15.94 inches
	Depth:	345 mm / 13.58 inches
	Weight:	16.8 kg / 37.04 lbs
Shipping informations	Package Height:	406 mm / 15.98 inches
	Package Width:	466 mm / 18.35 inches
	Package Depth:	798 mm / 31.42 inches
	Package Weight:	19.8 kg / 43.65 lbs



PART NUMBER

• **13000540**

ART 312-A MK4

115V

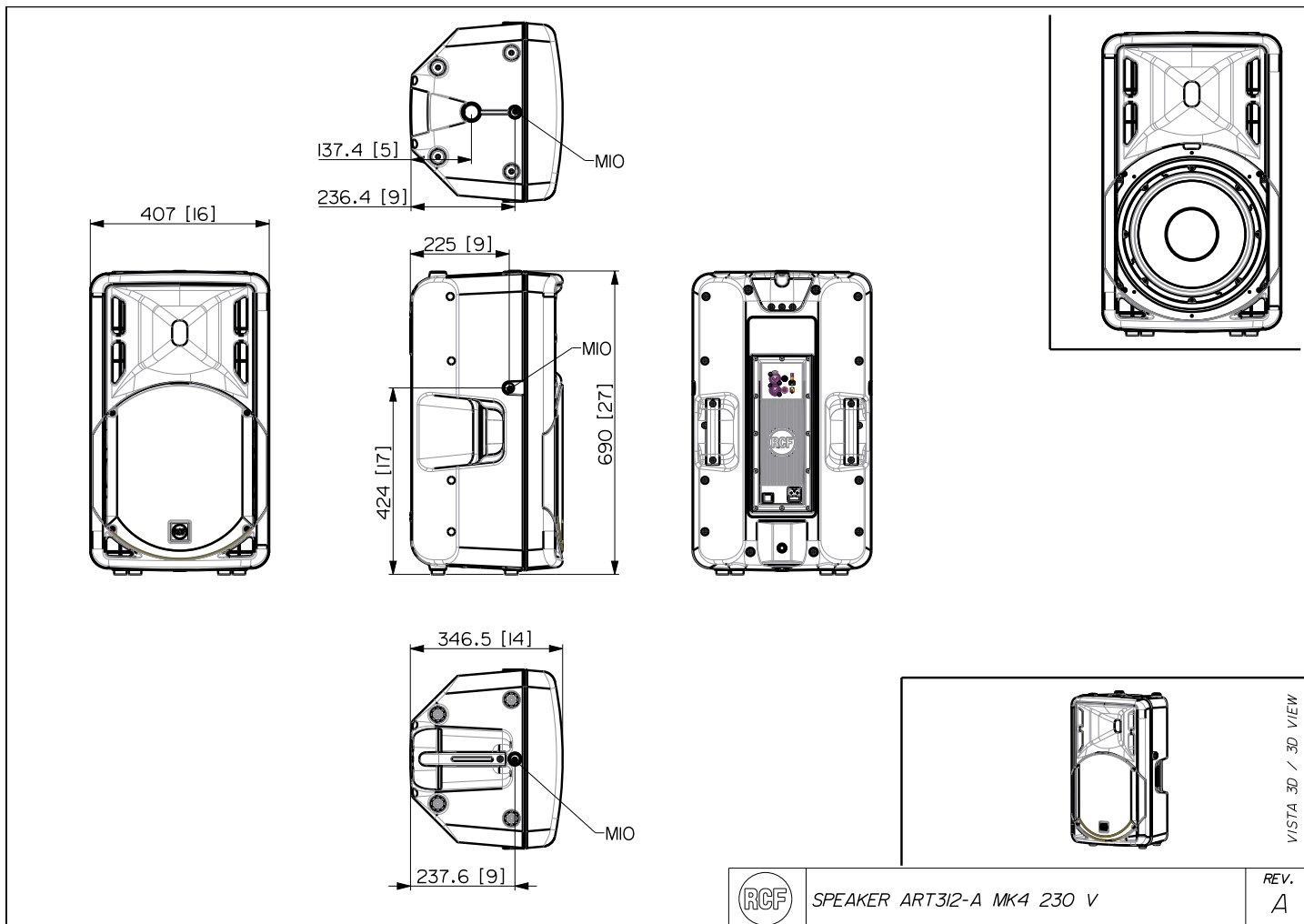
EAN 8024530015190

• **13000539**

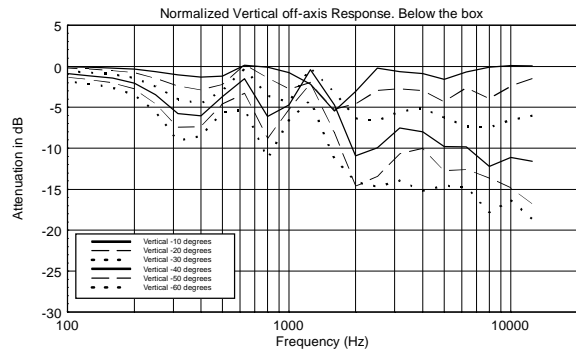
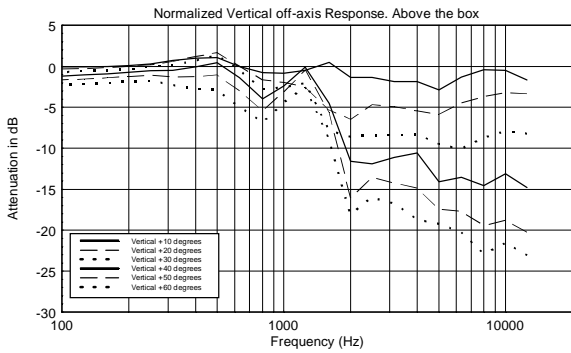
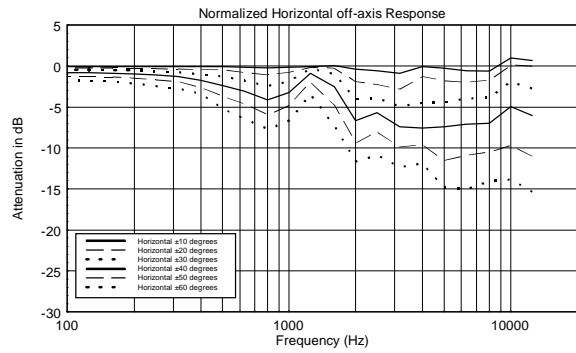
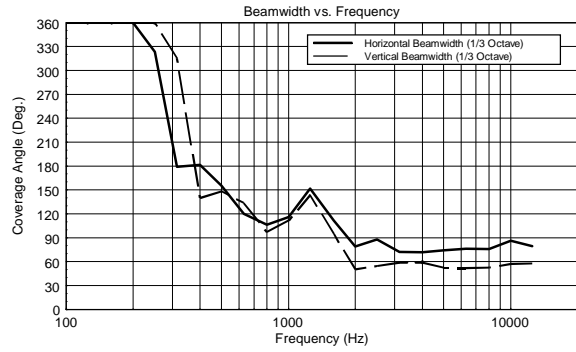
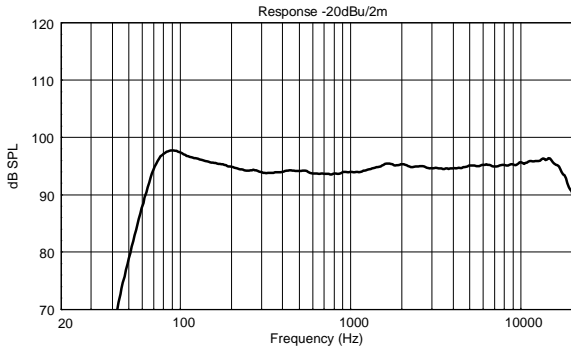
ART 312-A MK4

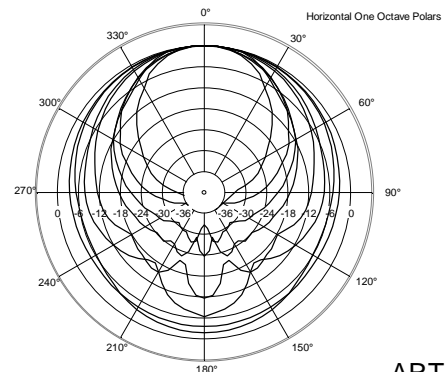
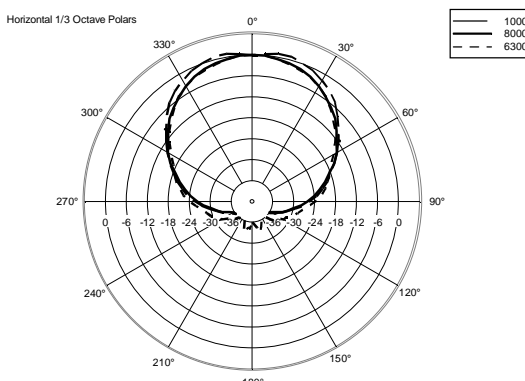
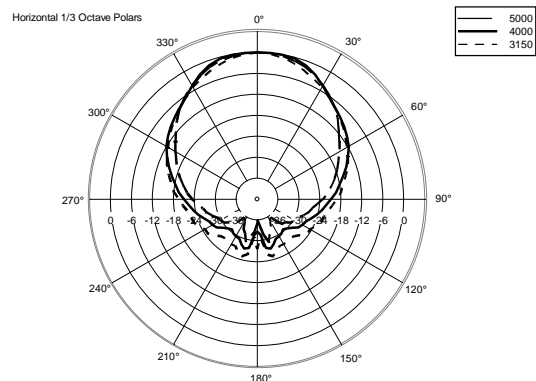
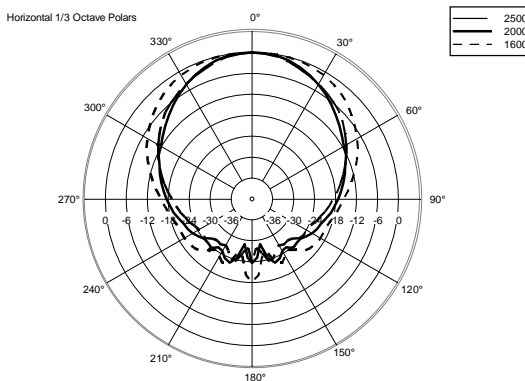
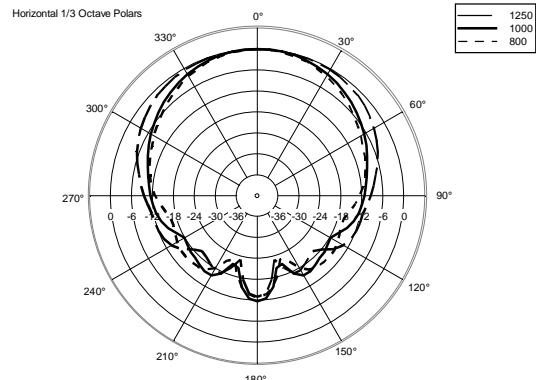
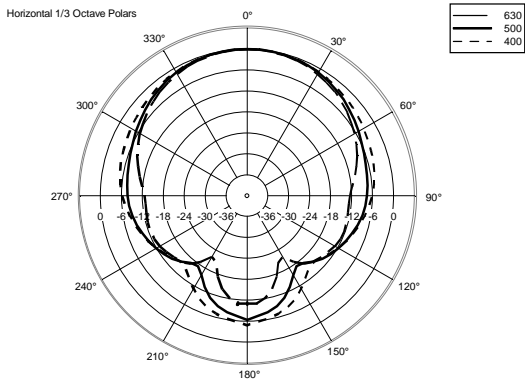
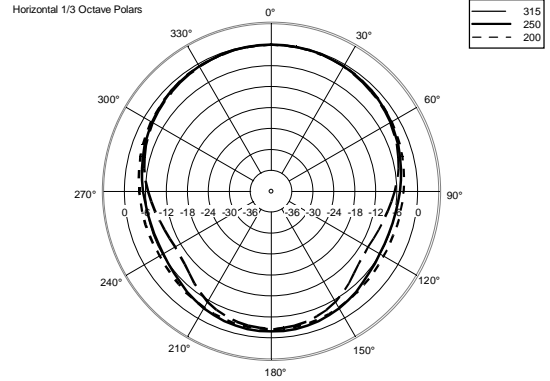
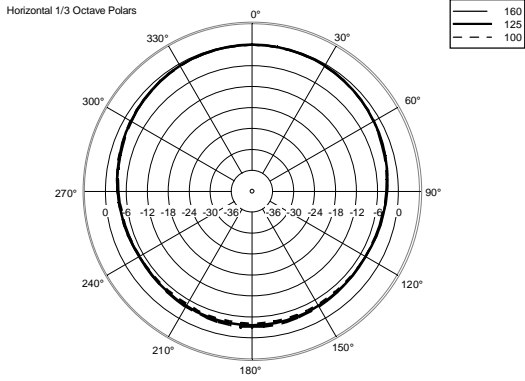
220-240V

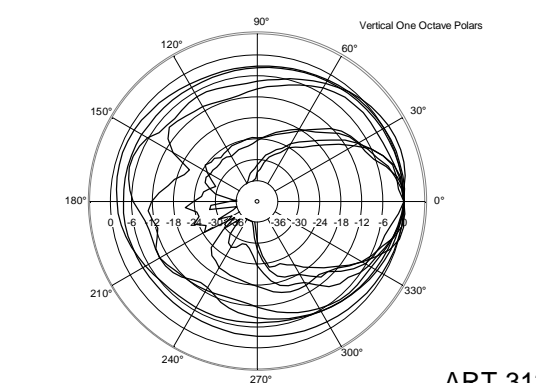
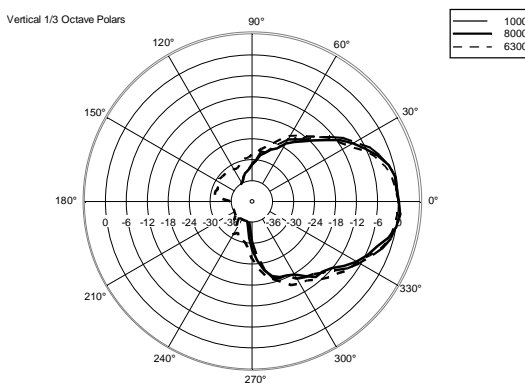
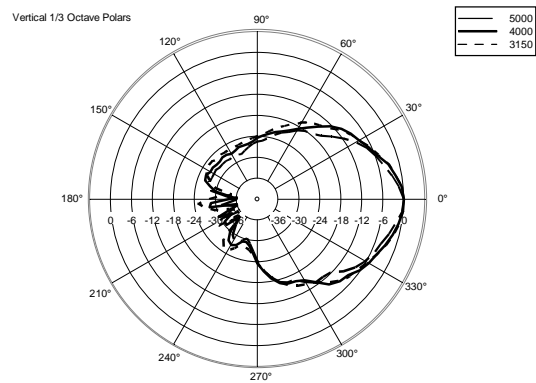
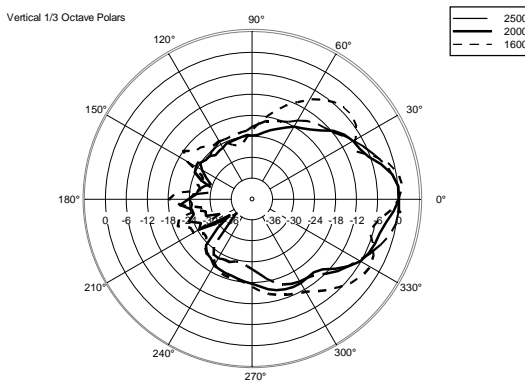
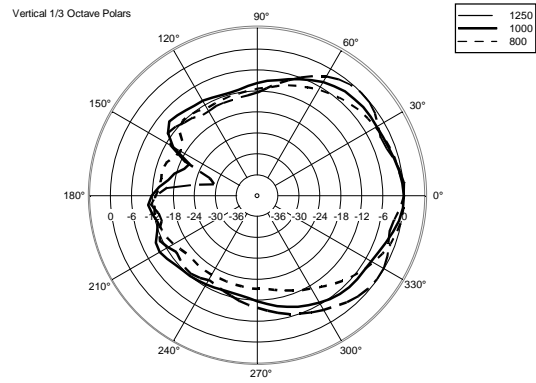
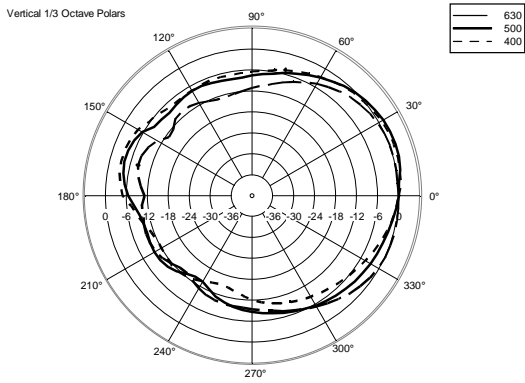
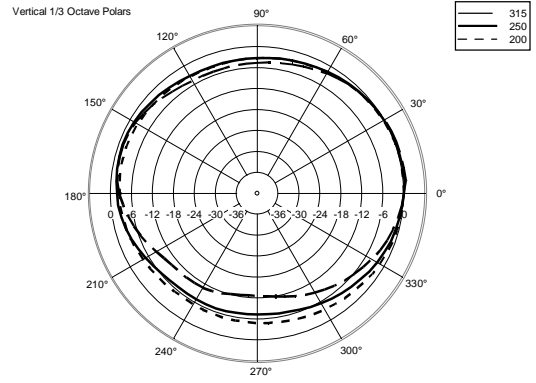
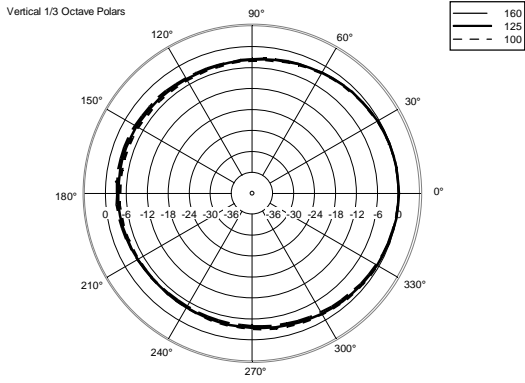
EAN 8024530014797



VISTA 3D / 3D VIEW







ACCESSORIES

	AC PMA - POLE MOUNT	PART NUMBER EAN:	13360034 8024530007713
	AC PM-M20	PART NUMBER EAN:	13360067 8024530014599
	AC PMX POLE MOUNT M20	PART NUMBER EAN:	13360232 8024530010058
	AC PRO-FS PROFESS. LOCKING FLOOR STAND	PART NUMBER EAN:	13360109 8024530006471
	AC PRO-PM PROFESS. LOCKING POLE MOUNT	PART NUMBER EAN:	13360110 8024530006488
	COVER CVR ART 312	PART NUMBER EAN:	13360043 8024530010737
	HORIZONTAL BRACKET H-BR ART 312	PART NUMBER EAN:	13360011 8024530015817
	VERTICAL BRACKET V-BR ART 312	PART NUMBER EAN:	13360010 8024530015800