

## V 6

### HIGH POWER, TWO-WAY BASS REFLEX FULL RANGE SYSTEM

#### DESCRIPTION

The V6 is a very compact, full range, extremely versatile two-way loudspeaker system. It offers substantial output and efficiency for a variety of professional applications that include portable systems, small sound reinforcement, permanent installations and supplementary fill for larger systems. The high-frequency section is a constant directivity CMD horn mathematically designed for Coverage Matching Design in relation to the woofer system, loaded on a compression driver with a 1.7" diaphragm assembly for smooth, controlled dispersion. The low-frequency transducer is a tight, high power 6" mid-bass with a 1.8" voice coil.



#### FEATURES

- 6" high power, 1.8" voice coil mid bass
- 1 x 1.7" high power titanium compression driver
- 124 dB max SPL
- 200 Watt AES
- High output, response down to 60 Hz
- Birch plywood cabinet
- Weather resistant, textured, polyurea finish
- Epoxy powder coated front grille

## TECHNICAL SPECIFICATIONS

<b>Acoustical specifications</b>	Frequency Response (-10dB):	60 Hz ÷ 20000 Hz
	Max SPL @ 1m:	123 dB
	Horizontal coverage angle:	90°
	Vertical coverage angle:	60°
	Directivity index Q:	10
	System Sensitivity:	94 dB
<b>Power section</b>	Nominal Impedance (ohm):	8 ohm
	Power Handling:	200 W RMS
	Peak Power Handling:	800 W PEAK
	Recommended Amplifier:	400 W
	Protections:	Bulb lamp dynamic
	Crossover Frequencies:	1400 Hz
<b>Transducers</b>	Compression Driver:	1.0", 1.75" v.c
	Nominal Impedance (ohm):	8 ohm
	Input Power Rating:	100 W AES, 200 W PEAK
	Sensitivity:	108 dB, 1W @ 1m
	Woofers:	6.0", 1.7" v.c
	Nominal Impedance (ohm):	8 ohm
	Input Power Rating:	150 W AES, 300 W PEAK
Sensitivity:	94 dB, 1W @ 1m	
<b>Input/Output section</b>	Input connectors:	Speakon® NL4
<b>Standard compliance</b>	CE marking:	Yes
<b>Physical specifications</b>	Cabinet/Case Material:	Baltic birch plywood
	Hardware:	9 x M10 inserts
	Pole mount/Cap:	Yes
	Grille:	Steel
	Color:	Black
<b>Size</b>	Height:	394 mm / 15.51 inches
	Width:	224 mm / 8.82 inches
	Depth:	272 mm / 10.71 inches
	Weight:	9 kg / 19.84 lbs
<b>Shipping informations</b>	Package Height:	435 mm / 17.13 inches
	Package Width:	315 mm / 12.4 inches
	Package Depth:	260 mm / 10.24 inches
	Package Weight:	11 kg / 24.25 lbs

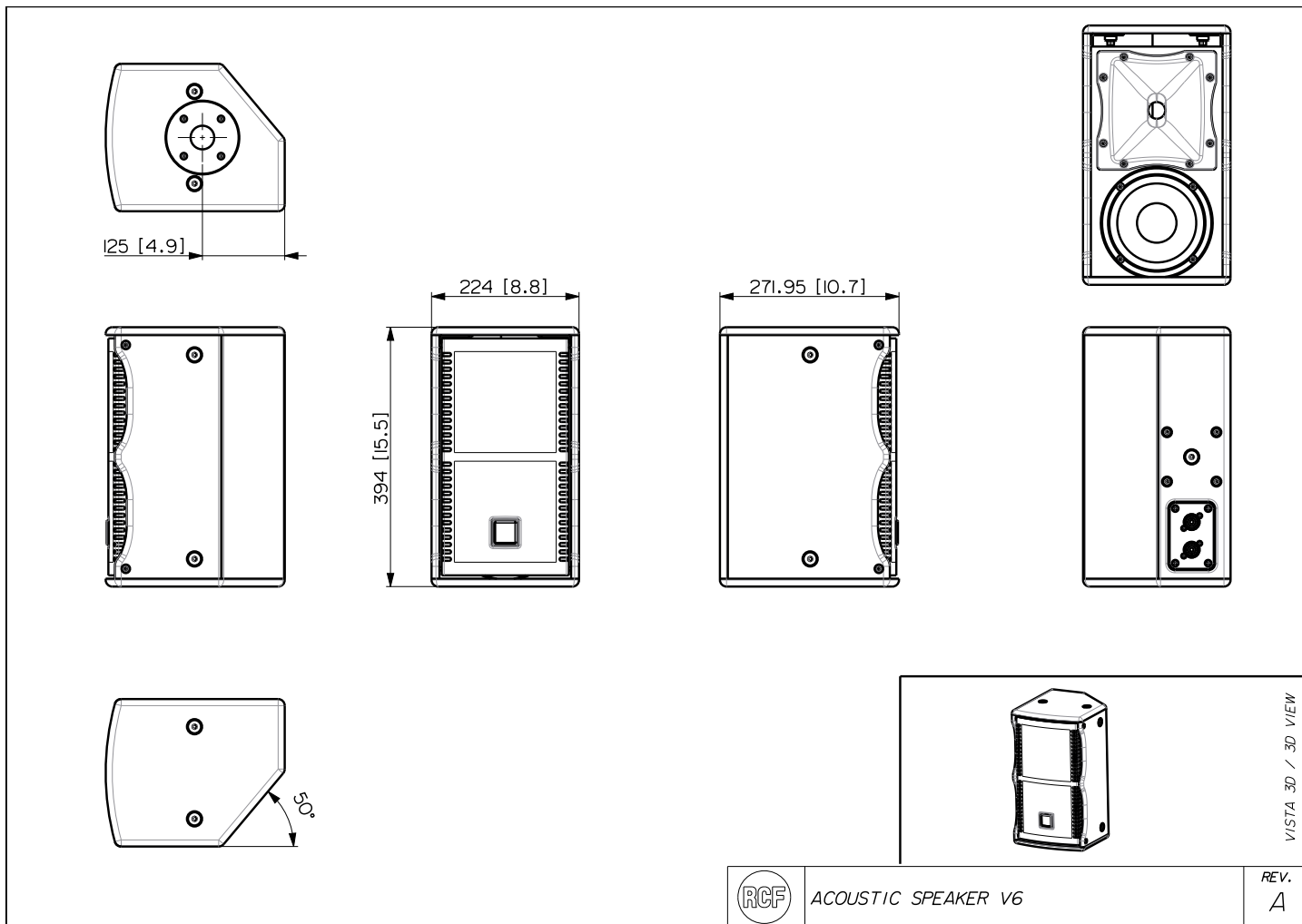


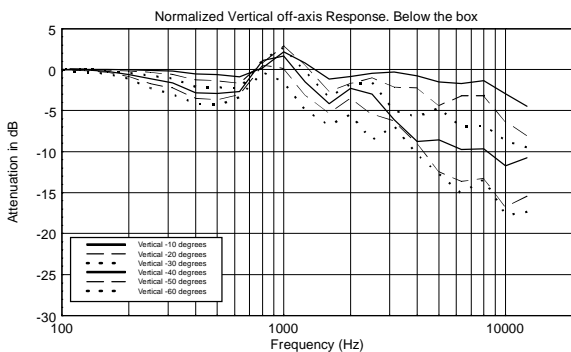
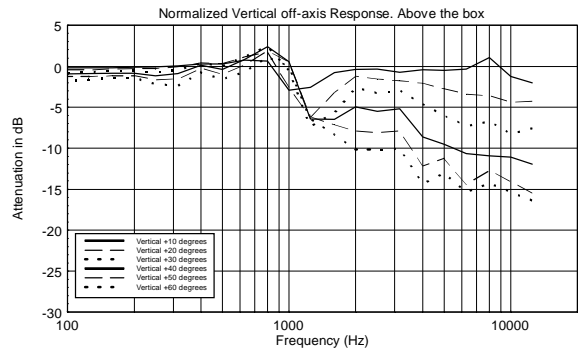
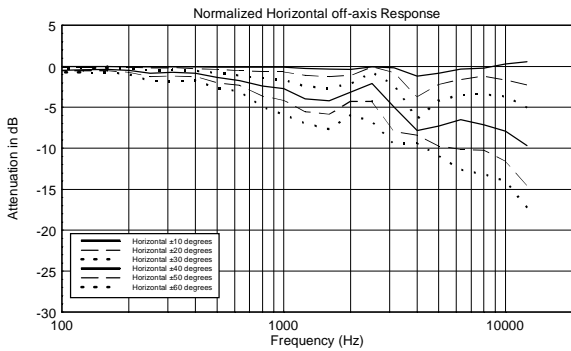
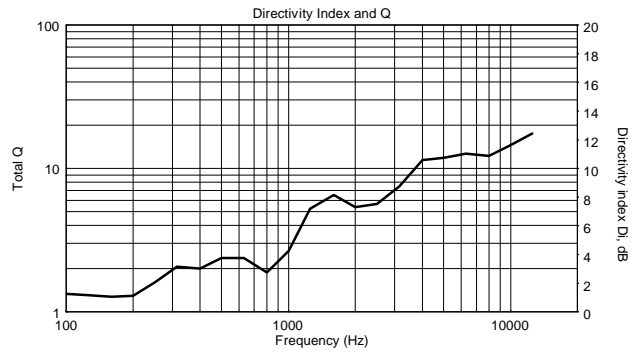
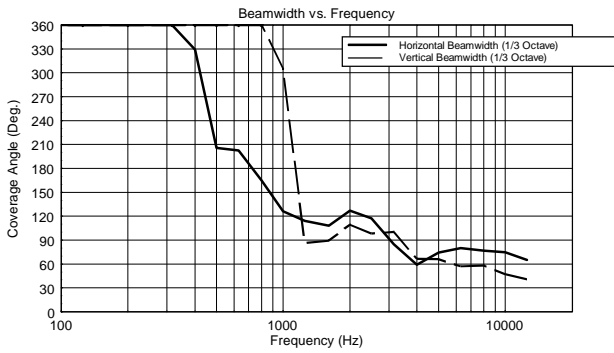
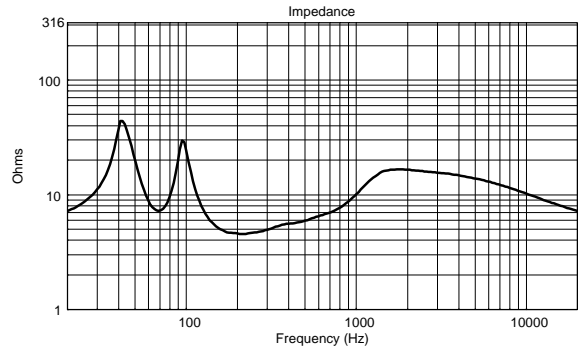
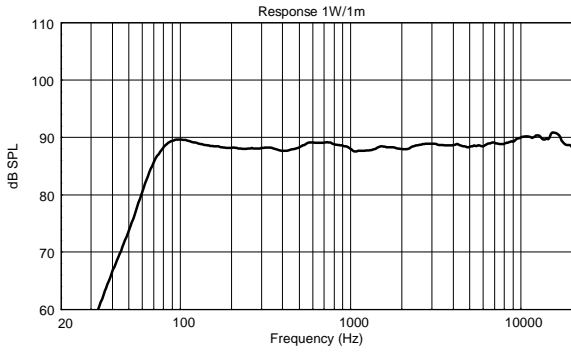
**PART NUMBER**

- **13000437**

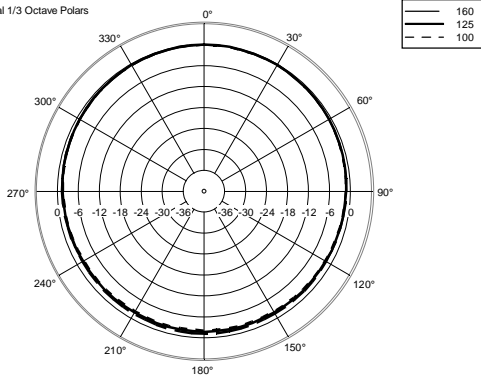
V 6

EAN 8024530013127

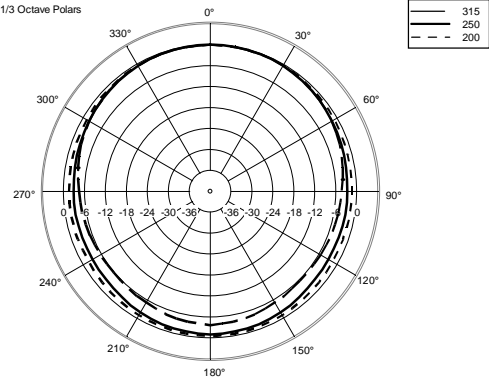




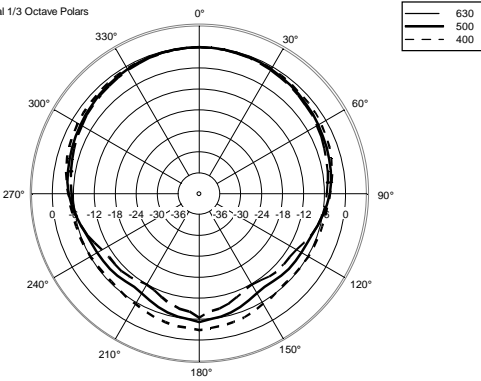
Horizontal 1/3 Octave Polars



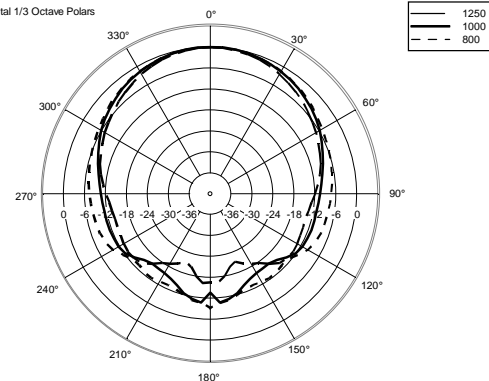
Horizontal 1/3 Octave Polars



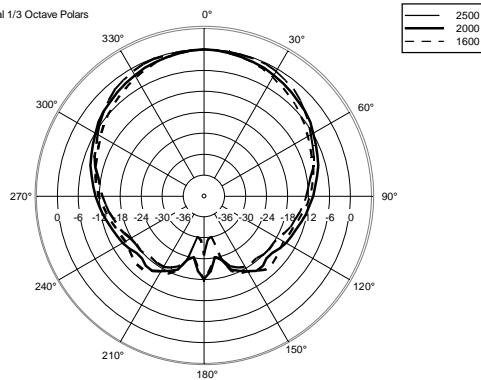
Horizontal 1/3 Octave Polars



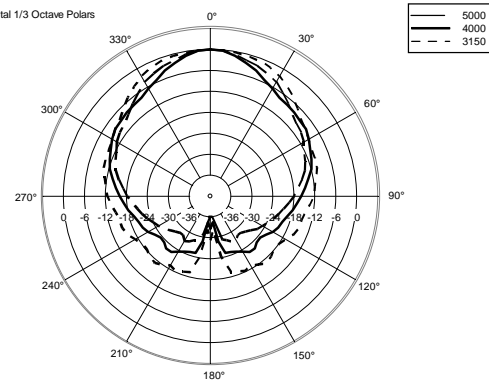
Horizontal 1/3 Octave Polars



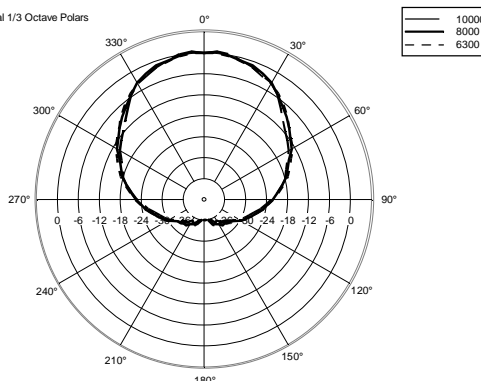
Horizontal 1/3 Octave Polars



Horizontal 1/3 Octave Polars



Horizontal 1/3 Octave Polars



Horizontal One Octave Polars

