

V 35

FULL RANGE PASSIVE TWO-WAY SPEAKER

DESCRIPTION

The V 35 is a full range, extremely versatile controlled dispersion two-way loudspeaker system. This offers substantial power and efficiency for a variety of professional applications that include portable systems, primary sound reinforcement, plus permanent installations and supplementary fill for larger systems. The high-frequency section is a constant directivity CMD horn designed mathematically for Coverage Matching Design in relation to the woofer system, loaded on a neodymium compression driver with a 3.0" titanium diaphragm assembly for smooth, controlled dispersion. The low-frequency transducer is a high power 15" woofer with a 4.0 " voice coil.



FEATURES

- High power, two-way bass reflex full range system
- 15" high power, 4" voice coil hyperventated woofers
- 1 x 3" high power titanium neo compression driver
- 132 dB max SPL
- 900 Watt AES
- Very high output, response down to 40 Hz
- Birch plywood cabinet
- Weather resistant, textured, polyurea finish
- Epoxy powder coated front grille

TECHNICAL SPECIFICATIONS

Acoustical specifications	Frequency Response (-10dB):	40 Hz ÷ 20000 Hz
	Max SPL @ 1m:	132 dB
	Horizontal coverage angle:	90°
	Vertical coverage angle:	40°
	Directivity index Q:	10
	System Sensitivity:	97 dB
Power section	Nominal Impedance (ohm):	8 ohm
	Power Handling:	900 W RMS
	Peak Power Handling:	3600 W PEAK
	Recommended Amplifier:	1800 W
	Protections:	Bulb lamp dynamic
	Crossover Frequencies:	1400 Hz
Transducers	Compression Driver:	1.4" neo, 3.0" v.c
	Nominal Impedance (ohm):	8 ohm
	Input Power Rating:	110 W AES, 220 W PEAK
	Sensitivity:	109 dB, 1W @ 1m
	Woofer:	15", 4.0" v.c
	Nominal Impedance (ohm):	8 ohm
	Input Power Rating:	900 W AES, 1800 W PEAK
Sensitivity:	97 dB, 1W @ 1m	
Input/Output section	Input connectors:	Speakon® NL4
	Output connectors:	Speakon® NL4
Standard compliance	CE marking:	Yes
Physical specifications	Cabinet/Case Material:	Baltic birch plywood
	Hardware:	10 x M10 inserts
	Handles:	1 side
	Pole mount/Cap:	Yes
	Grille:	Steel
	Color:	Black
Size	Height:	739 mm / 29.09 inches
	Width:	440 mm / 17.32 inches
	Depth:	350 mm / 13.78 inches
	Weight:	31 kg / 68.34 lbs
Shipping informations	Package Height:	800 mm / 31.5 inches
	Package Width:	500 mm / 19.69 inches
	Package Depth:	410 mm / 16.14 inches
	Package Weight:	35 kg / 77.16 lbs

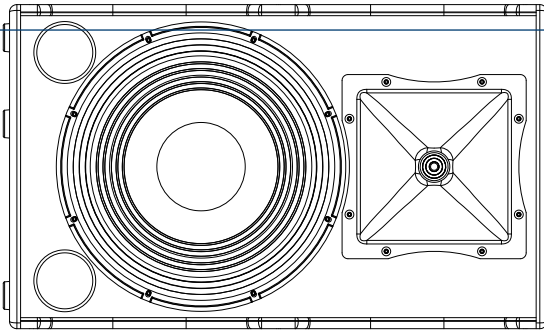


PART NUMBER

- **13000412**

V 35

EAN 8024530010966

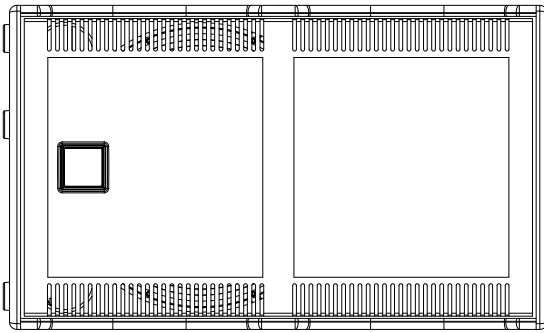


175.65 [6.92"]

350 [13.78"]

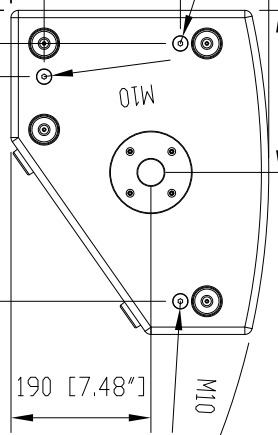
230 [9.06"]

45 [1.77"]



45 [1.77"]
90 [3.54"]

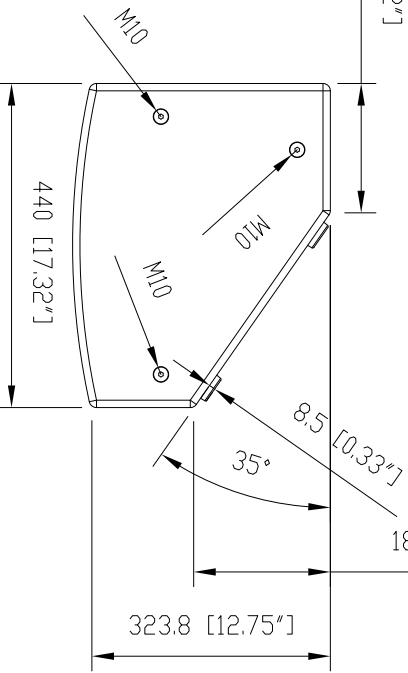
395 [15.55"]



220 [8.66"]

190 [7.48"]

R1002 [R39.45"]

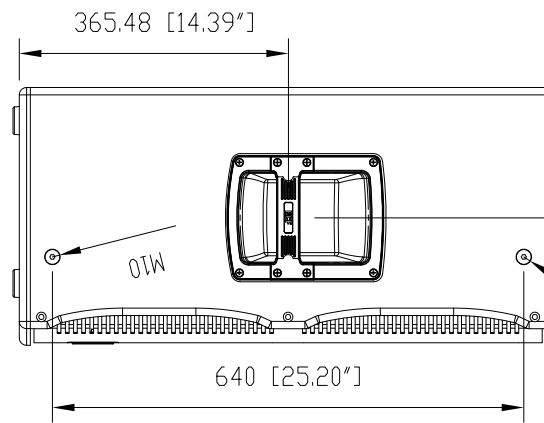


440 [17.32"]

323.8 [12.75"]

8.5 [0.33"]
35°

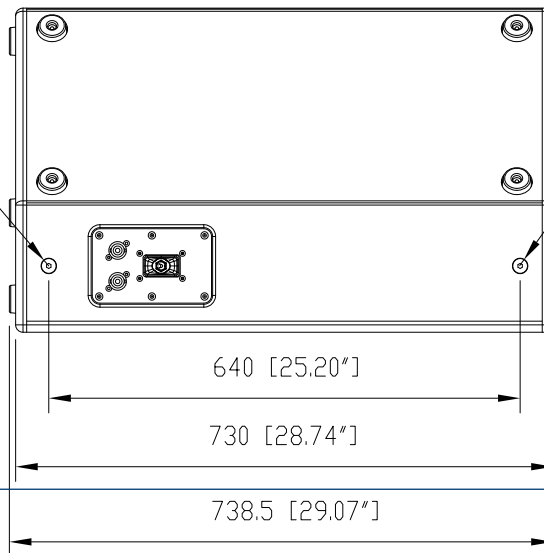
185.59 [7.31"]



365.48 [14.39"]

177 [6.97"]

640 [25.20"]

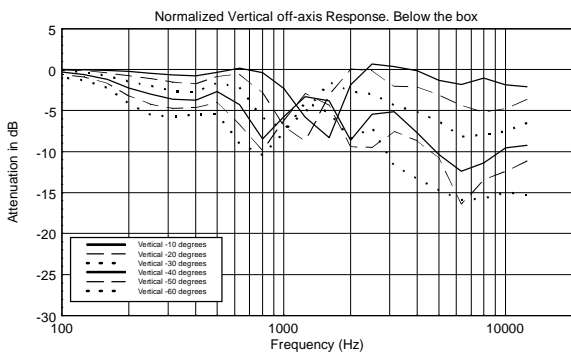
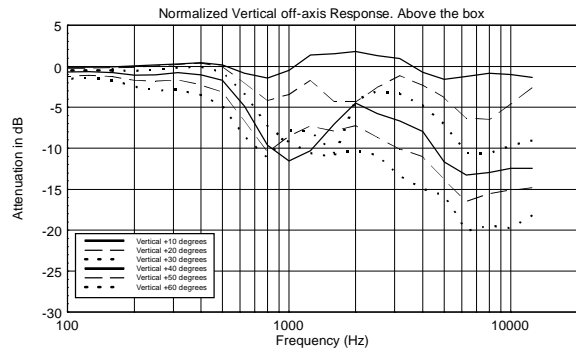
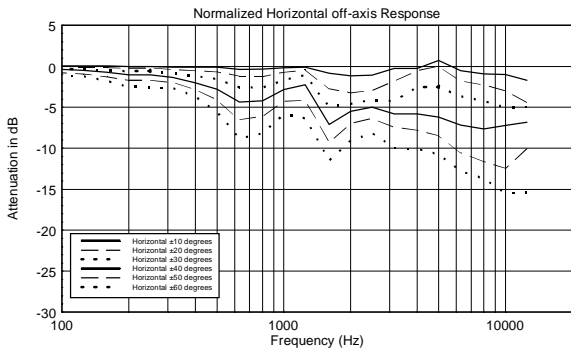
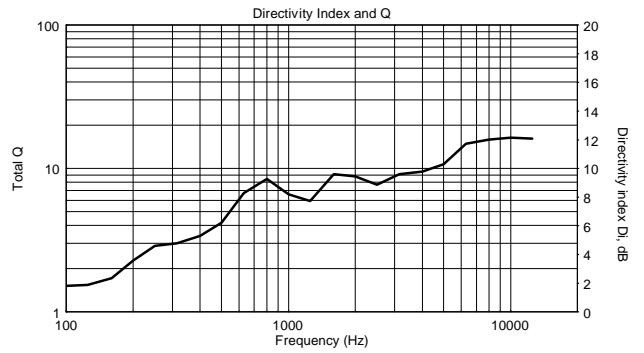
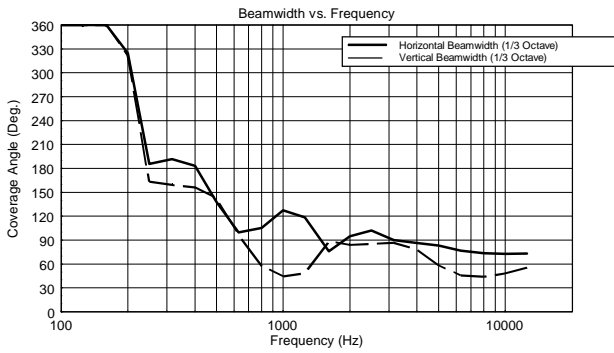
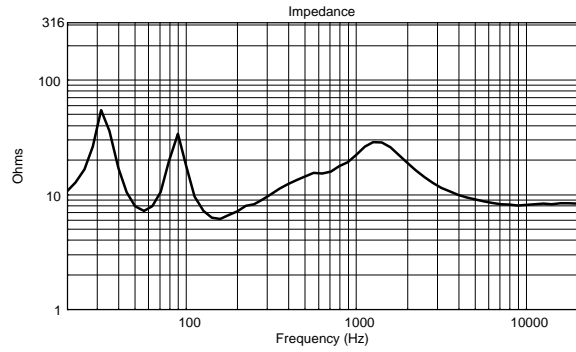
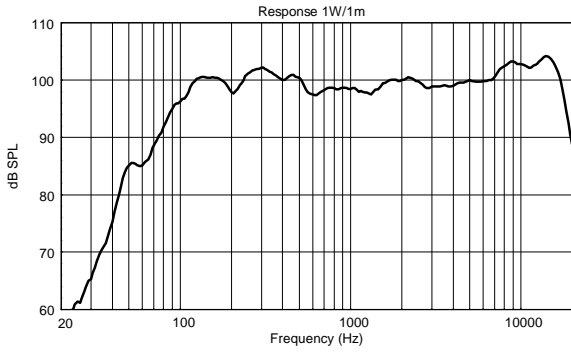


640 [25.20"]

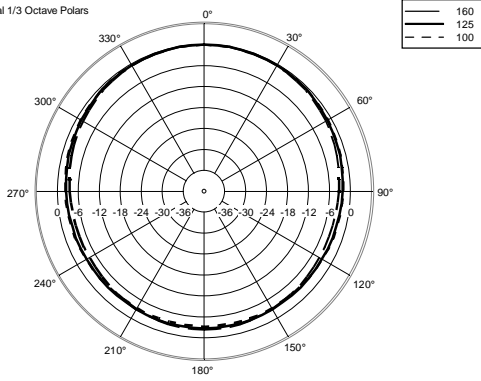
730 [28.74"]

738.5 [29.07"]

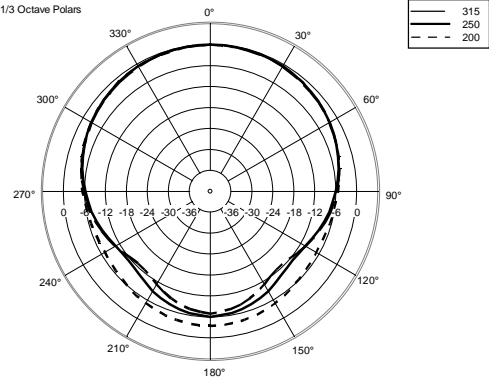
V
35



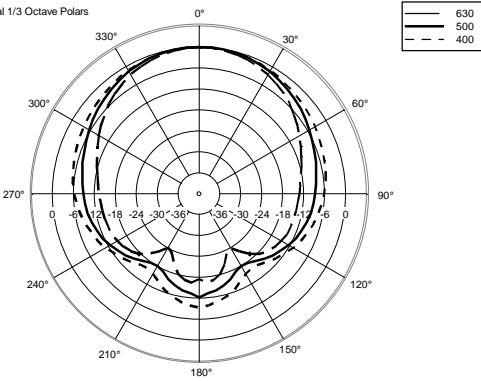
Horizontal 1/3 Octave Polars



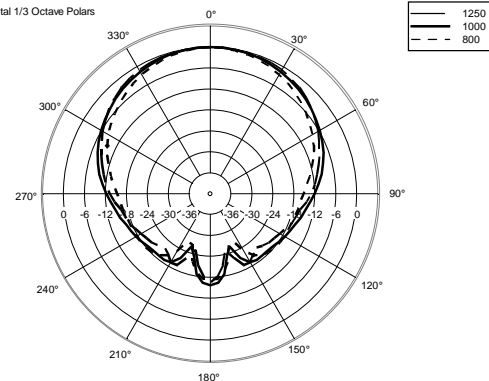
Horizontal 1/3 Octave Polars



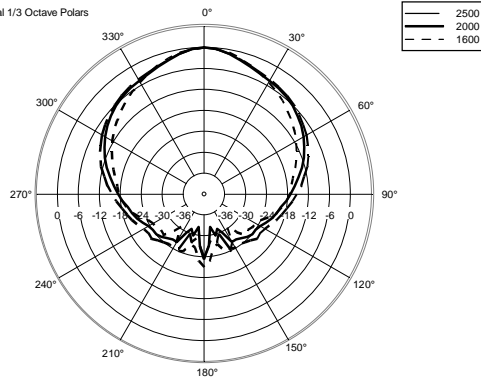
Horizontal 1/3 Octave Polars



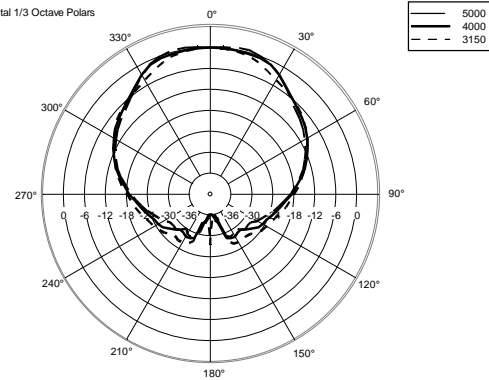
Horizontal 1/3 Octave Polars



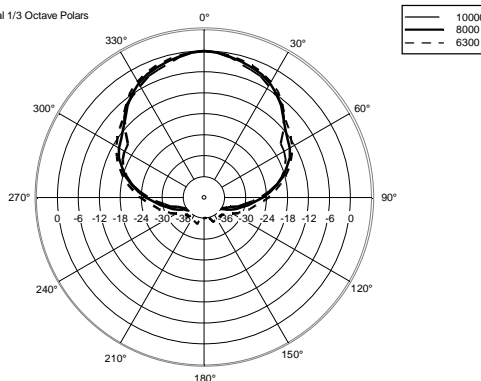
Horizontal 1/3 Octave Polars



Horizontal 1/3 Octave Polars



Horizontal 1/3 Octave Polars



Horizontal One Octave Polars

