

TTP 5-A

POINT SOURCE ARRAY

DESCRIPTION

The TTP5-A is a high power, two way, active array module engineered to deliver high fidelity output for use in indoor and outdoor medium and large spaces. The system is designed to create horizontal or vertical arrays with a constant curvature. The system is designed to be used for medium-small theatres to very large outdoor stadia and public spaces. The RCF Precision newly designed 4" compression driver loaded on a dedicated waveguide guarantees the exceptional sound projection and pattern control. The new woofer design represents the result of many dedicated years in developing new solutions using the best materials available on the market. The integration of two channels 1600 Watt digital amplification and the advanced digital processing set a new standard for distortion, noise and thermal efficiency.



FEATURES

- 1600 Watt, 2 way amplification
- 15" neo woofer, 4.0" v.c.
- 2.0" titanium dome neo c. driver, 4.0" v.c.
- 22.5° x 60° precision waveguide
- 96 Khz, 32 bit DSP processing
- Maximum output, perfect audio fidelity
- Tour grade cabinet and mechanics
- RDNet Onboard

TECHNICAL SPECIFICATIONS

Acoustical specifications	Frequency Response:	45 Hz ÷ 20000 Hz
	Max SPL @ 1m:	138 dB
	Horizontal coverage angle:	23°
	Vertical coverage angle:	60°
Transducers	Compression Driver:	2.0" neo, 4.0" v.c
	Woofer:	15" neo, 4.0" v.c
Input/Output section	Input signal:	bal/unbal
	Input connectors:	XLR, RDNet Ethercon
	Output connectors:	XLR, RDNet Ethercon
	Input sensitivity:	+4 dBu
Processor section	Crossover Frequencies:	550 Hz
	Protections:	Thermal, RMS
	Limiter:	Soft Limiter
	Controls:	Gain reduction, RDNet local setup/bypass, Time Delay, Presets (Linear, Close, Far)
	RDNet:	Yes
Power section	Total Power:	3200 W Peak, 1600 W RMS
	High frequencies:	1000 W Peak, 500 W RMS
	Low frequencies:	2200 W Peak, 1100 W RMS
	Cooling:	Convection
	Connections:	Powercon IN/OUT
Standard compliance	CE marking:	Yes
Physical specifications	Cabinet/Case Material:	Baltic birch plywood
	Hardware:	Cluster Mechanics
	Handles:	2 side, 1 top , 1 Bottom
	Grille:	Steel
	Color:	Black
Size	Height:	986 mm / 38.82 inches
	Width:	458 mm / 18.03 inches
	Depth:	646 mm / 25.43 inches
	Weight:	66 kg / 145.5 lbs
Shipping informations	Package Height:	1100 mm / 43.31 inches
	Package Width:	590 mm / 23.23 inches
	Package Depth:	780 mm / 30.71 inches
	Package Weight:	70 kg / 154.32 lbs



PART NUMBER

• **13000384**

TTP 5-A

115V

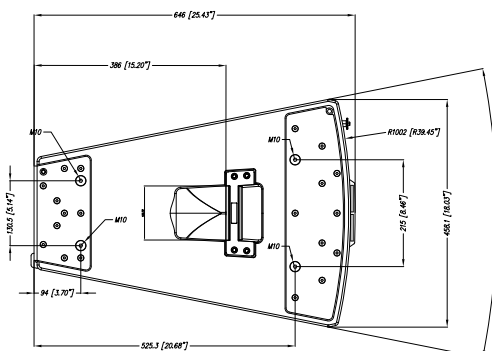
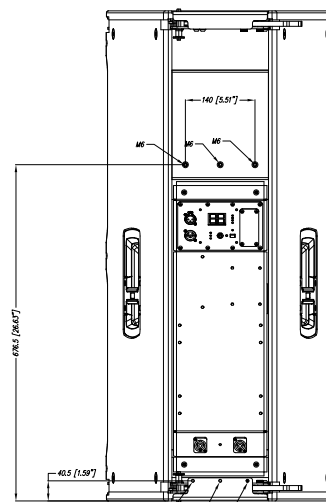
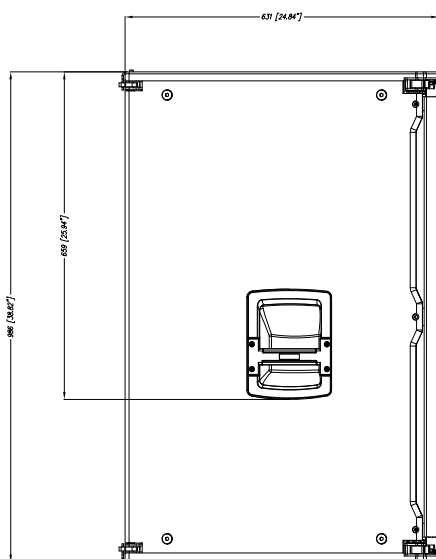
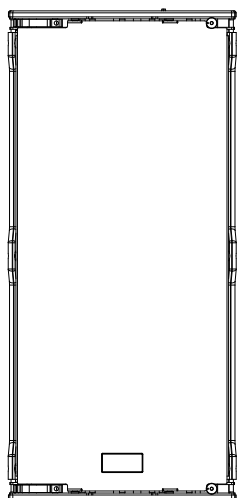
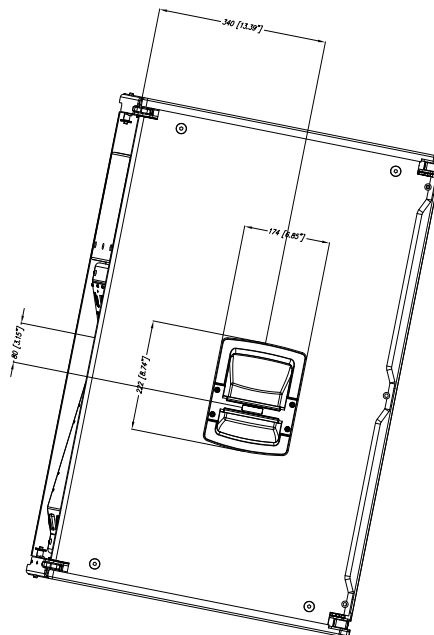
EAN 8024530010515

• **13000380**

TTP 5-A

220-240V

EAN 8024530010522



TTP5-A

