

TT 2-A

ACTIVE HIGH OUTPUT TWO-WAY SPEAKER

DESCRIPTION

The TT2-A is the most flexible and powerful tool in its class. The incredible output and dynamics, the extreme linearity and fidelity makes the TT2-A a special product in its category. The TT2-A is the ideal compact two-way speaker for near field sound reinforcement, live sound and corporate events. The integration of the 1600 Watt, two channel, digital amplification and the advanced digital processing set a new standard for distortion, noise and thermal efficiency. The speaker is equipped with a complete set of integrated rigging mechanics for rental or installation. Dedicated accessories to create clusters are available.



FEATURES

- 1600 Watt, 2 way amplification
- 12" neo woofer, 4" v.c.
- 2" titanium dome neo compression driver, 3.0" v.c.
- 90° x 50° precision waveguide
- 96 Khz, 32 bit DSP processing
- Maximum output, perfect audio fidelity
- Tour grade cabinet and mechanics
- RDNet Ready

TECHNICAL SPECIFICATIONS

Acoustical specifications	Frequency Response:	50 Hz ÷ 20000 Hz
	Max SPL @ 1m:	134 dB
	Horizontal coverage angle:	90°
	Vertical coverage angle:	50°
Transducers	Compression Driver:	2.0" neo, 3.0" v.c
	Woofer:	12" neo, 4.0" v.c
Input/Output section	Input signal:	bal/unbal
	Input connectors:	XLR
	Output connectors:	XLR
	Input sensitivity:	+4 dBu
Processor section	Crossover Frequencies:	750 Hz
	Protections:	Thermal, RMS
	Limiter:	Soft Limiter
	Controls:	Gain reduction, RDNet local setup/bypass, Time Delay, Presets (Linear, Close, Far listening, High-pass), RDNet Ready
	RDNet:	Ready
Power section	Total Power:	3200 W Peak, 1600 W RMS
	High frequencies:	1000 W Peak, 500 W RMS
	Low frequencies:	2200 W Peak, 1100 W RMS
	Cooling:	Convection
	Connections:	Powercon IN/OUT
Standard compliance	CE marking:	Yes
Physical specifications	Cabinet/Case Material:	Baltic birch plywood
	Hardware:	Installation/Rental fittings
	Handles:	2 side
	Pole mount/Cap:	Yes
	Grille:	Steel
	Color:	Black
Size	Height:	643 mm / 25.31 inches
	Width:	372 mm / 14.65 inches
	Depth:	470 mm / 18.5 inches
	Weight:	34.4 kg / 75.84 lbs
Shipping informations	Package Height:	900 mm / 35.43 inches
	Package Width:	580 mm / 22.83 inches
	Package Depth:	490 mm / 19.29 inches
	Package Weight:	37.8 kg / 83.33 lbs



PART NUMBER

- **13000382**

TT 2-A

115V

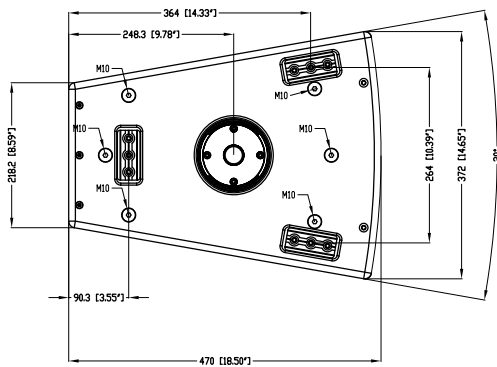
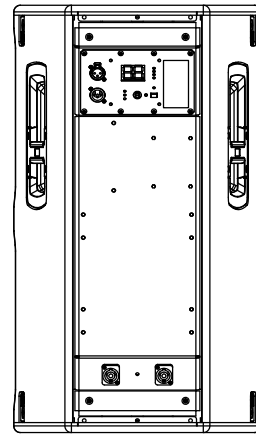
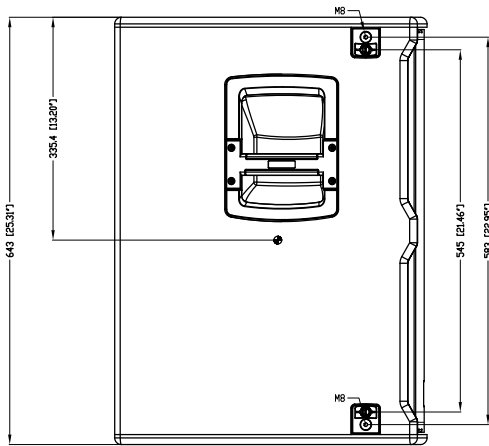
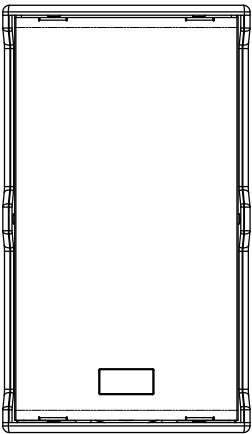
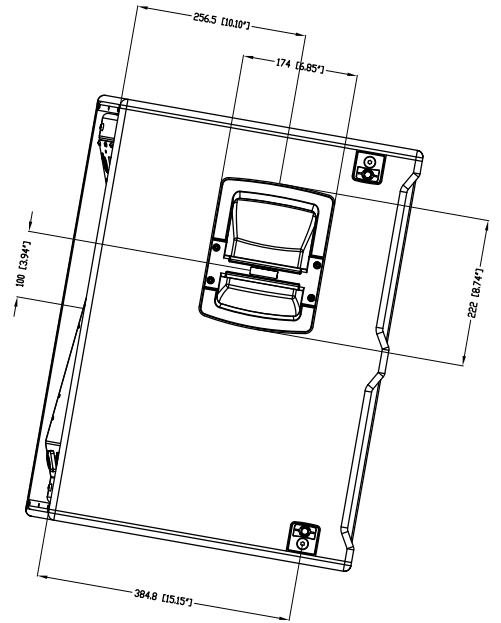
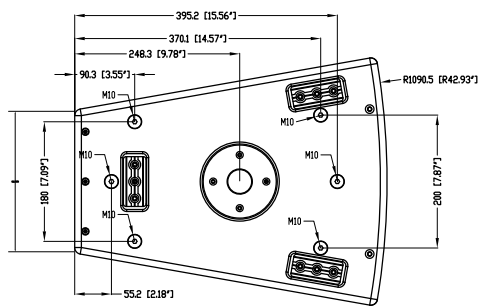
EAN 8024530010485

- **13000378**

TT 2-A

220-240V

EAN 8024530010454



TT2-A

