

# HDL 10-A

## ACTIVE LINE ARRAY MODULE

### DESCRIPTION

The very compact size, no compromise transducers and a unique composite cabinet design make the HDL 10-A the perfect tool in many situations. Ideal in live sound reinforcement and reliable installed situations. The HDL 10-A is the ideal choice when line array performance is needed and a fast and easy set up is a must. The system is powered from a 1400 Watt Peak Power 2 way digital amplifier, sound is processed from a powerful DSP.



### FEATURES

- 1400 Watt Peak power - 700 Watt RMS
- 133 dB max SPL
- 65 Hz 20 kHz frequency response
- 2 x 8" Woofers
- 1 x 2" Compression Driver
- DSP controlled Input section with selectable presets
- Tour grade safe and solid variable mechanics
- Composite PP enclosure structurally wooden reinforced

## TECHNICAL SPECIFICATIONS

<b>Acoustical specifications</b>	Frequency Response:	65 Hz ÷ 20000 Hz
	Max SPL @ 1m:	133 dB
	Horizontal coverage angle:	100°
	Vertical coverage angle:	15°
<b>Transducers</b>	Compression Driver:	2.0", 2.5" v.c
	Woofer:	2 x 8", 2.0" v.c
<b>Input/Output section</b>	Input signal:	bal/unbal
	Input connectors:	XLR
	Output connectors:	XLR
	Input sensitivity:	-2 dBu/+4 dBu
<b>Processor section</b>	Crossover Frequencies:	800 Hz
	Protections:	Thermal, RMS
	Limiter:	Soft Limiter
	Controls:	Cluster, HF, High curving, Indoor
<b>Power section</b>	Total Power:	1400 W Peak, 700 W RMS
	High frequencies:	400 W Peak, 200 W RMS
	Low frequencies:	1000 W Peak, 500 W RMS
	Cooling:	Convection
	Connections:	Powercon IN/OUT
<b>Standard compliance</b>	CE marking:	Yes
<b>Physical specifications</b>	Cabinet/Case Material:	PP Composite
	Hardware:	Rigging flyware
	Handles:	2 side
	Grille:	Steel
	Color:	Black
<b>Size</b>	Height:	294 mm / 11.57 inches
	Width:	569 mm / 22.4 inches
	Depth:	434 mm / 17.09 inches
	Weight:	20.4 kg / 44.97 lbs
<b>Shipping informations</b>	Package Height:	375 mm / 14.76 inches
	Package Width:	650 mm / 25.59 inches
	Package Depth:	500 mm / 19.69 inches
	Package Weight:	23 kg / 50.71 lbs



**PART NUMBER**

- **13040023**

HDL 10-A W  
115V, White  
EAN 8024530012403

- **13040022**

HDL 10-A W  
220-240V, White  
EAN 8024530012113

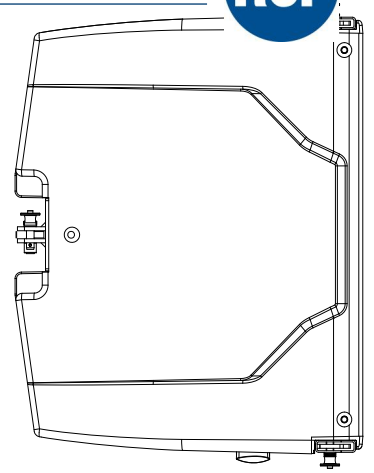
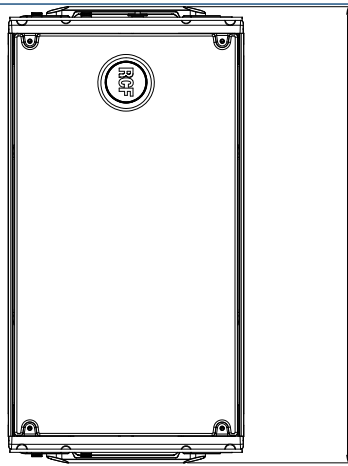
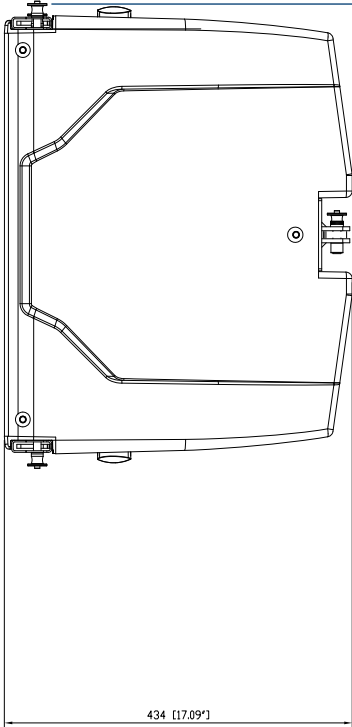
- **13040017**

HDL 10-A  
115V, Black  
EAN 8024530010850

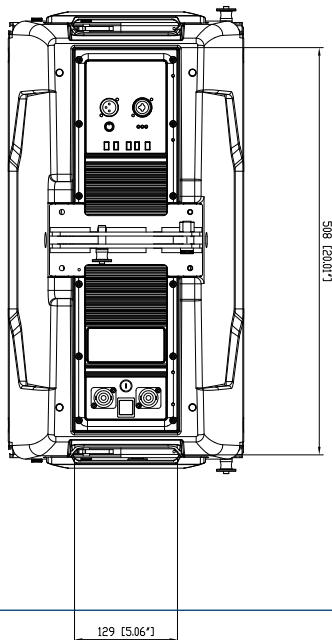
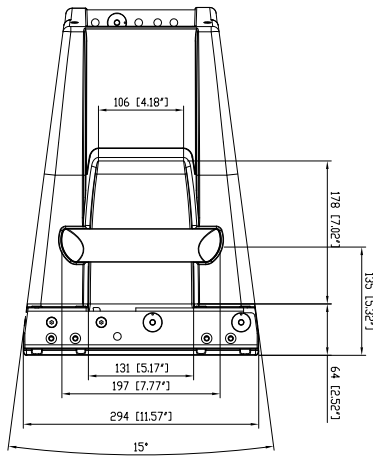
- **13040016**

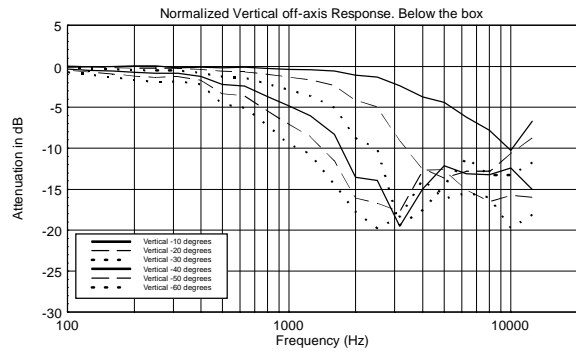
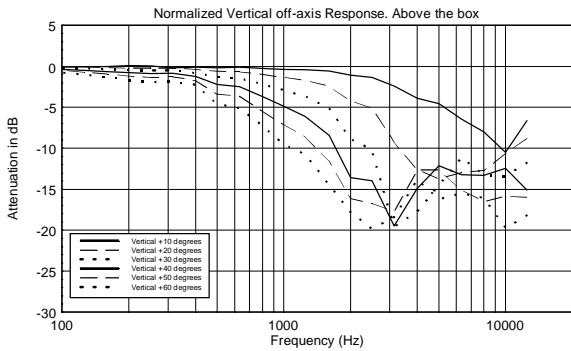
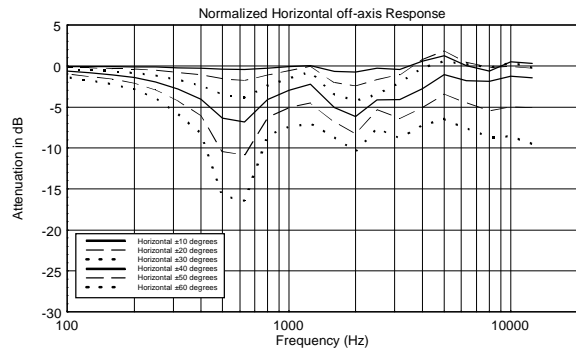
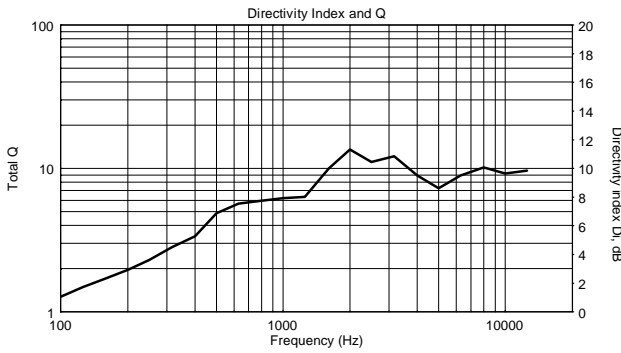
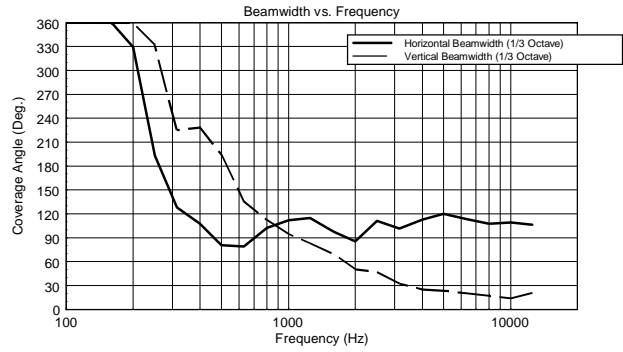
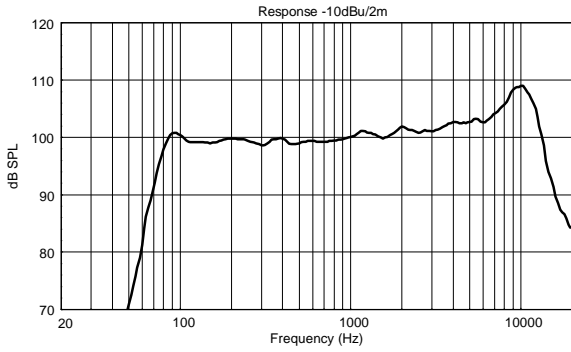
HDL 10-A  
220-240V, Black  
EAN 8024530010843

DATASHEET

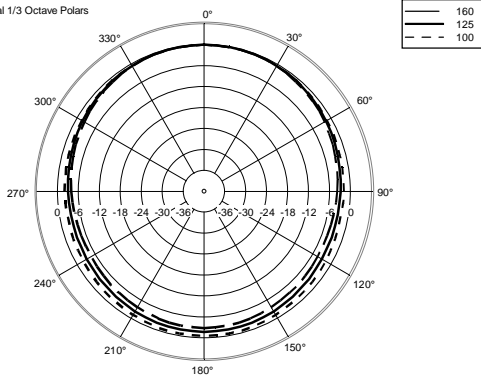


HDL10-A

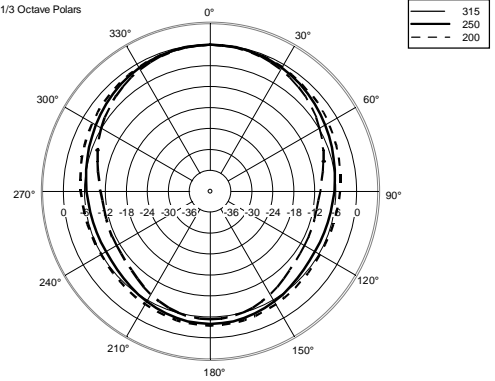




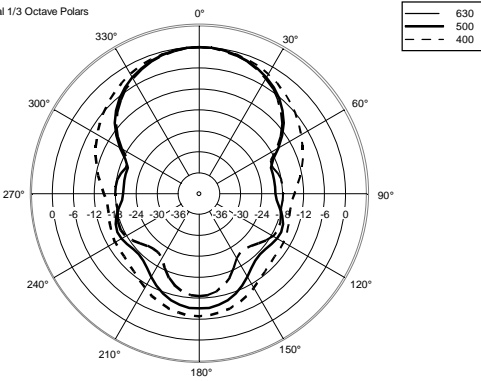
Horizontal 1/3 Octave Polars



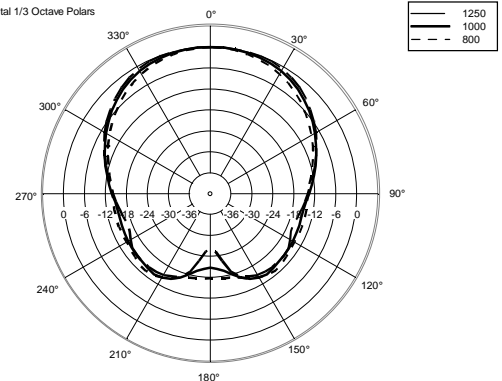
Horizontal 1/3 Octave Polars



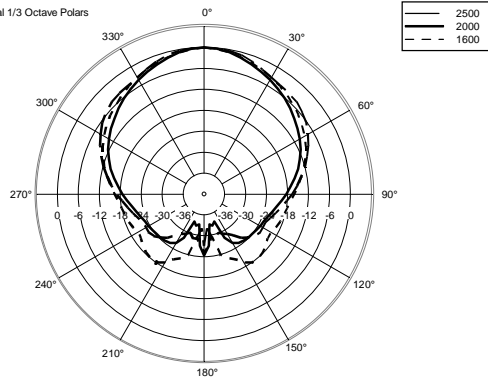
Horizontal 1/3 Octave Polars



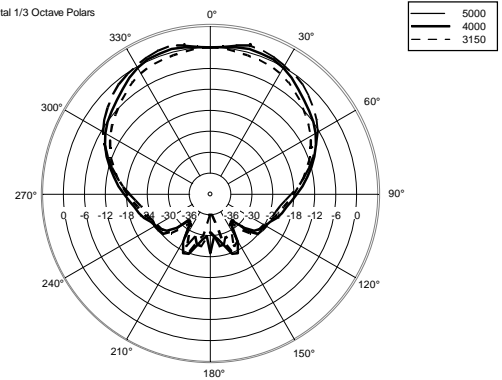
Horizontal 1/3 Octave Polars



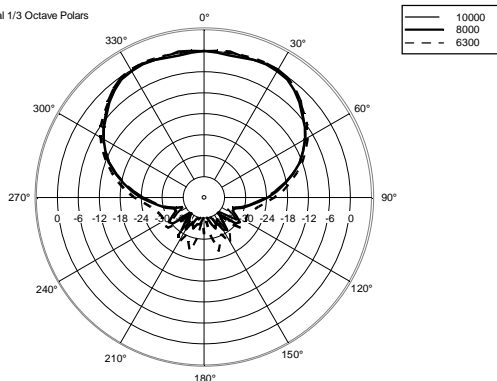
Horizontal 1/3 Octave Polars



Horizontal 1/3 Octave Polars



Horizontal 1/3 Octave Polars



Horizontal One Octave Polars

