

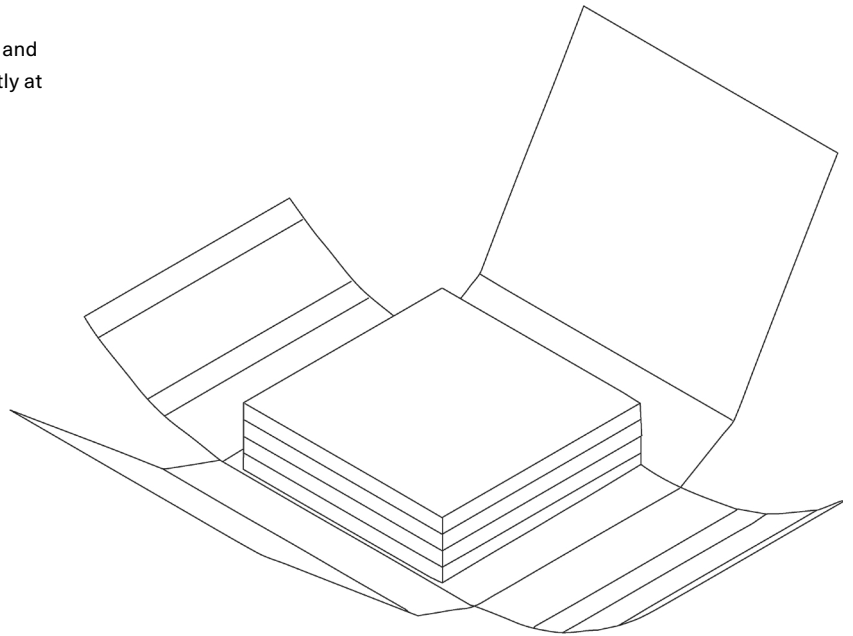
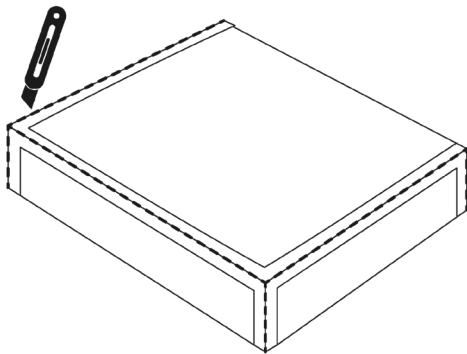
Søuld

1. UNBOXING

Be careful when handling the product as the edges are fragile. A general advice is to keep the product in the box until installation.

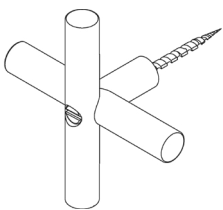
Gently use a knife to open the attached tape - See dashed lines below. Only cut in the tape and do not cut into the cardboard, as you might make damages on the product. Do not take the Mats out of the box before all tape is detached from the box.

Please read the **General Installation Instruction** for using and handling Søuld Acoustic Mats at www.sould.dk or directly at [this link](#)

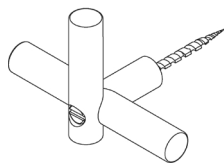


2. CONTENT OF THE BOX

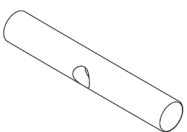
Make sure everything is there.



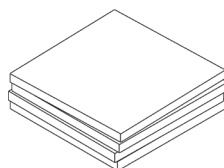
x 6
Wooden Joints Middle



x 4
Wooden Joints Edge



x 3
Wooden Joints Middle - Top



x 4
Søuld Tiles

SØULD

3. TOOLS NEEDED

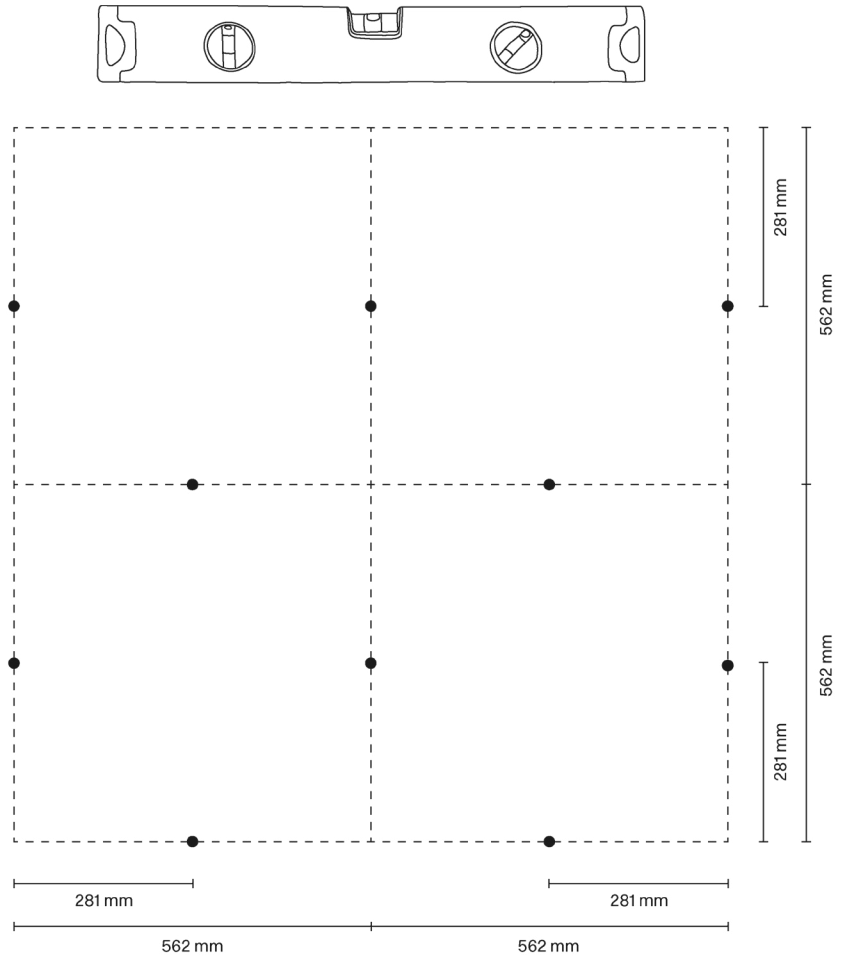
- Pencil
- Drill
- Screwdriver
- Rawlplug suitable for the wall type
- Ruler
- Spirit level or laser level
- Vacuum-cleaner
- Hammer

INSTALLATION INSTRUCTIONS

4. MEASUREMENTS

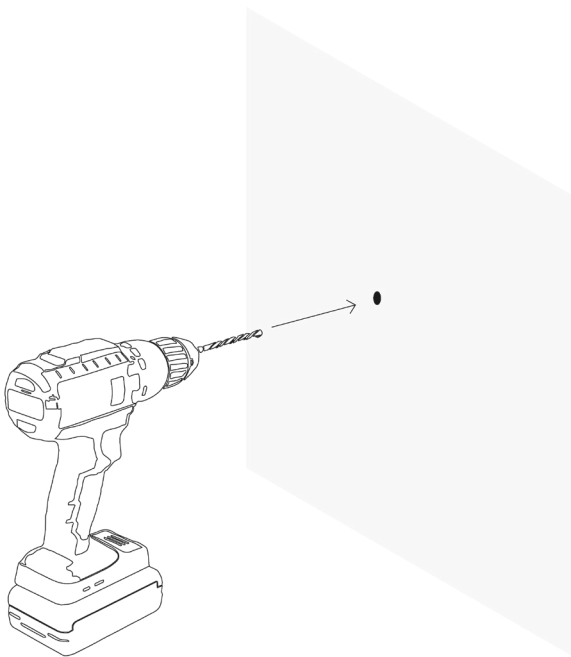
It is important to take plenty of time for the measurement, as the precision of this work will determine the final result.

Use a level as guiding point for the measurements. A multi line laser level is preferable.



5. DRILL

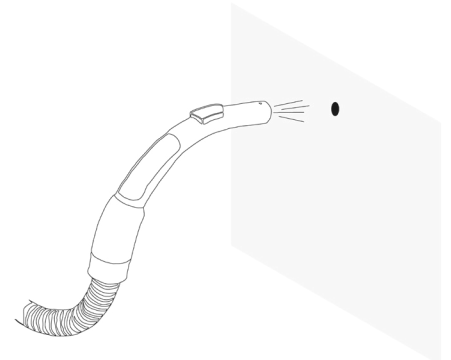
Use a suitable drill that matches the type of wall.



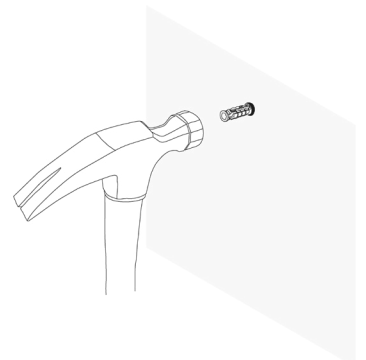
SØULD

6. CLEAN + RAWLPLUGS

Clean the holes after drilling



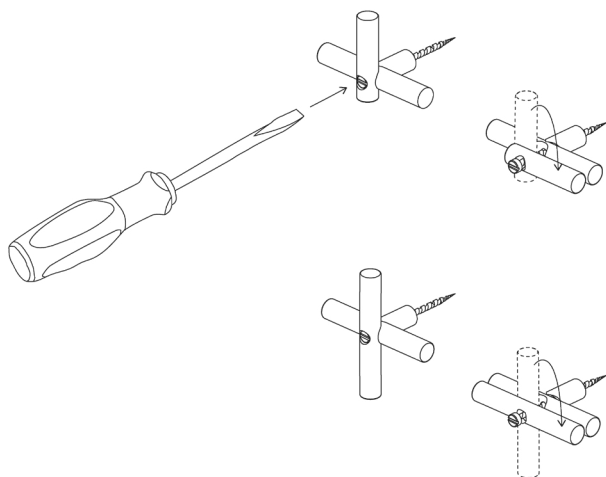
and install a suitable rawlplug that matches the type of wall.



INSTALLATION INSTRUCTIONS

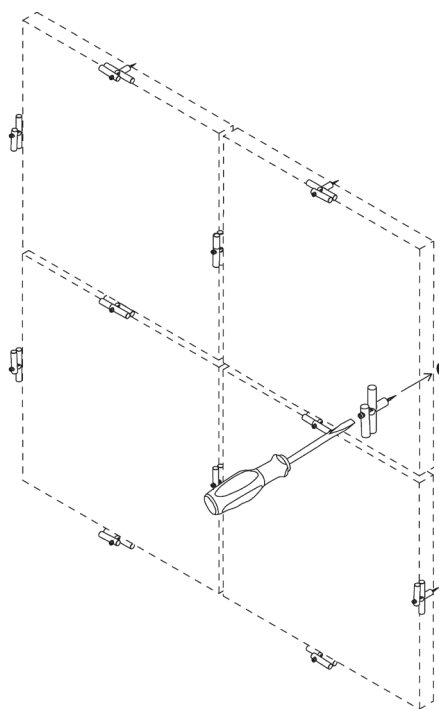
7. PREPARE THE JOINTS

Loosen the screw to make the two wooden parts rotate freely and orient them so that they are parallel to each other. Make sure to have a firm grip on the joint when loosening the screw to prevent the wooden parts slipping and damaging each other.



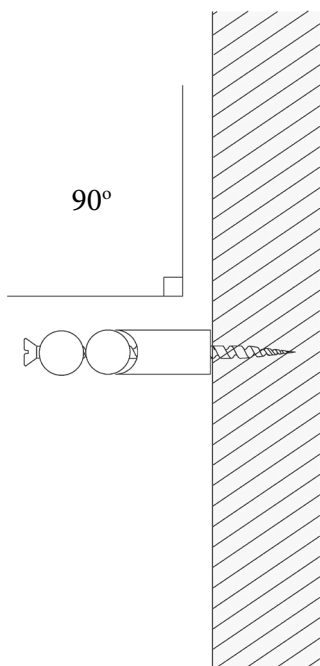
8. MOUNTING THE JOINTS

Mount the wooden joints to the wall and make sure not to tighten them all the way down. The wooden parts should still be able to move freely.



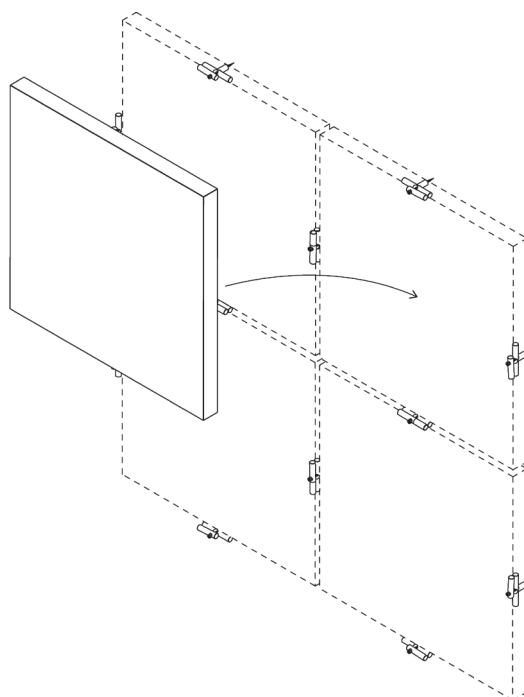
9. CHECK PERPENDICULARITY

Make sure the Wooden Joints are mounted perpendicular to the wall.



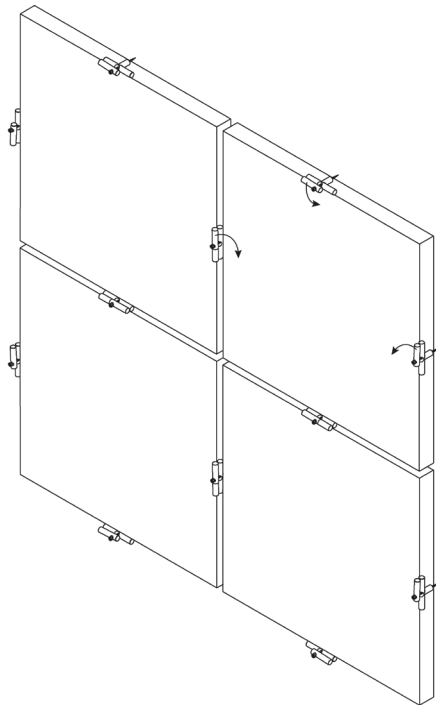
10. PLACE SØULD TILES

Now place the Søuld Tiles between the Wooden Joints. Note that the tiles will still side loose.



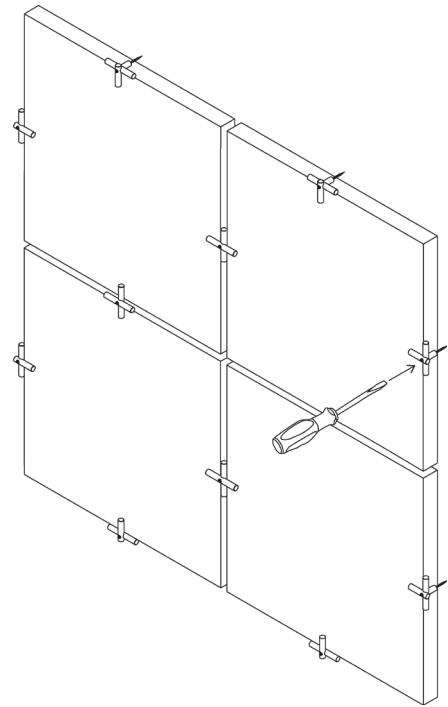
11 TURN THE JOINTS

Now rotate the upper part of the Wooden Joints 90 degrees.



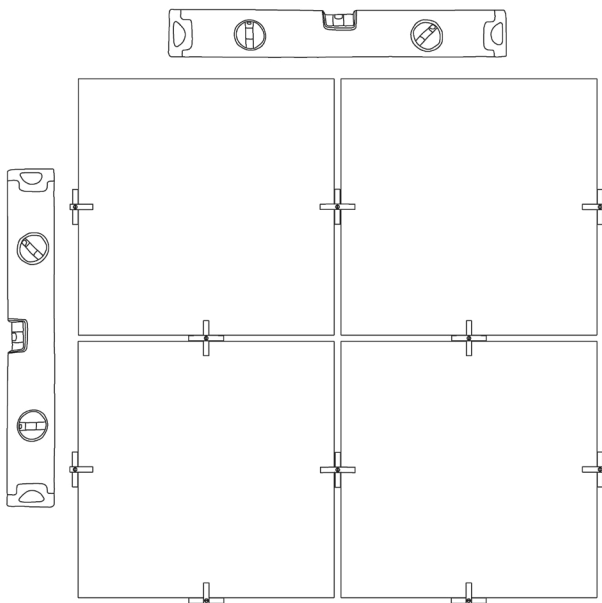
12. TIGHTEN SCREWS

Tighten the screws all the way down holding the Wooden Joint in place to make sure it does not slip and rotate.



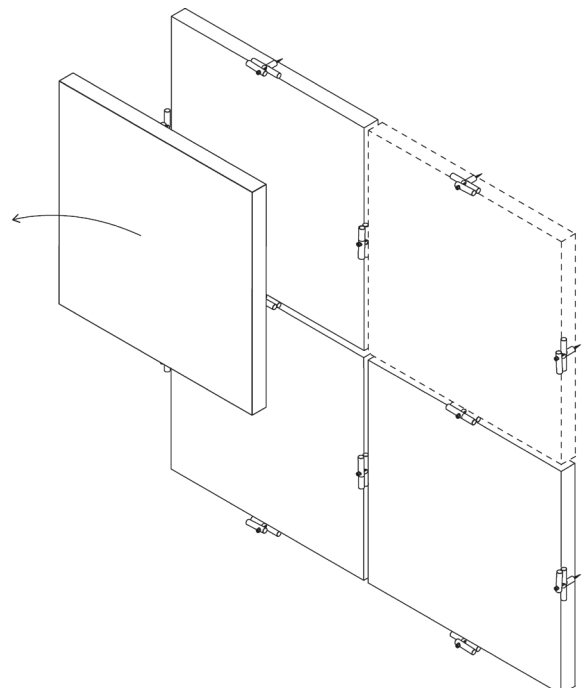
13. CHECK PERPENDICULARITY

Check the alignment of tiles and joints.
Adjust if needed.



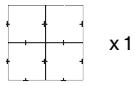
14. DEMOUNT AND REUSE!

Loosen the screw and turn the Wooden Joints and you can freely take out the tiles and reuse them.

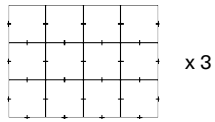


15. EXAMPLES OF EXPANSIONS

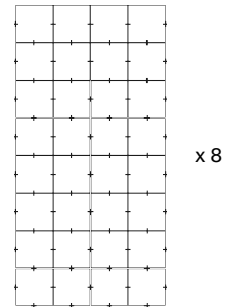
The standard package of 4 acoustic mats can easily be expanded for larger formations. One package contains mats and wooden joints for the classic 2x2 formation. The illustration shows examples of expansions and how many packages are needed for each of them.



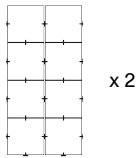
x1



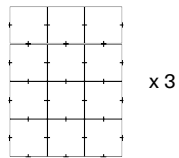
x3



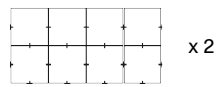
x8



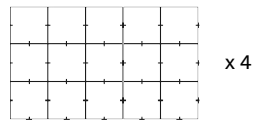
x2



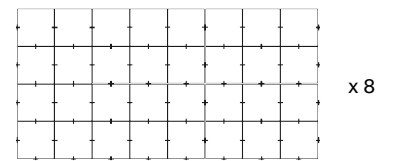
x3



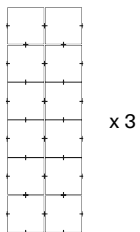
x2



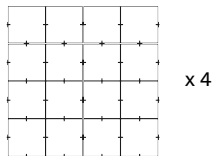
x4



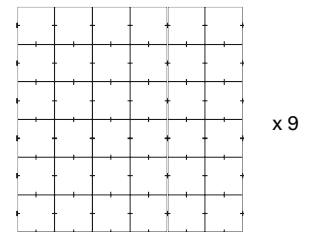
x8



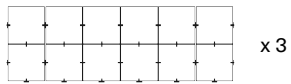
x3



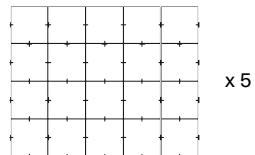
x4



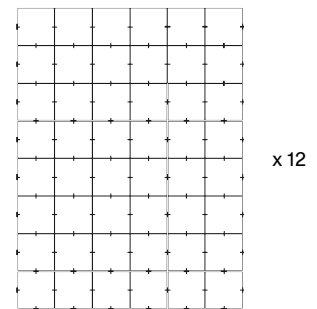
x9



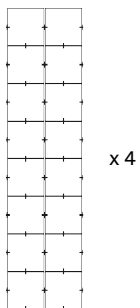
x3



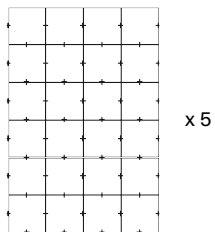
x5



x12



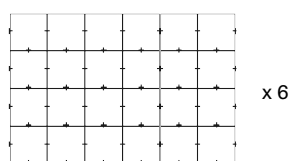
x4



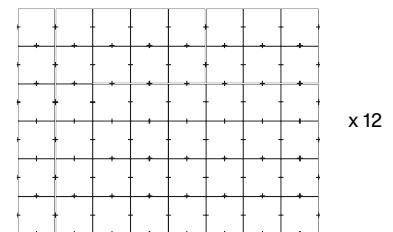
x5



x4



x6



x12

AND MORE....