

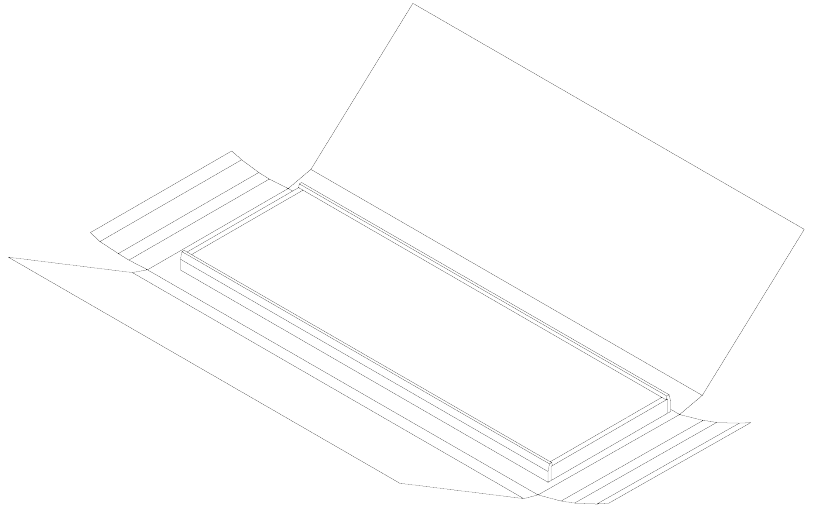
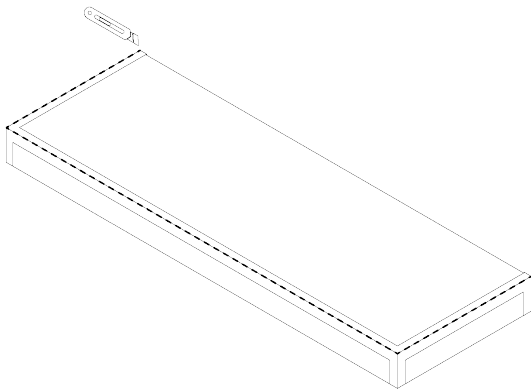
Søuld

1. UNBOXING

Be careful when handling the product as the edges are fragile. A general advice is to keep the product in the box until installation.

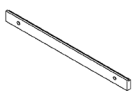
Gently use a knife to open the attached tape - See dashed lines below. Only cut in the tape and do not cut into the cardboard, as you might make damages on the product. Do not take the Frames out of the box before all tape is detached from the box.

Please read the General Installation Instruction for using and handling Søuld Acoustic Mats at www.sould.dk or directly at [this link](#)

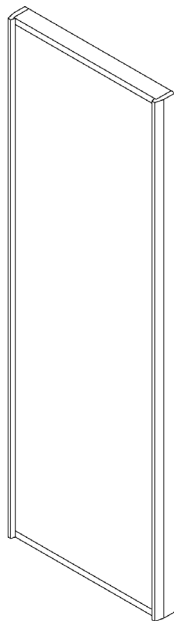


2. CONTENT OF THE BOX

Make sure everything is there.



x1
Mounting bracket



x1
Wooden Frame

3. TOOLS NEEDED

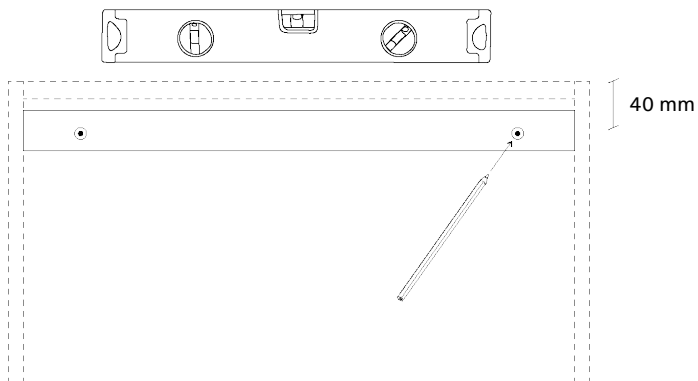
- Pencil
- Drill
- Rawplug suitable for the wall type
- Screws suitable for the wall type
- Ruler
- Spirit level or laser level
- Vacuum-cleaner
- Hammer

4. MEASUREMENTS

It is important to take plenty of time for the measurement, as the precision of this work will determine the final result.

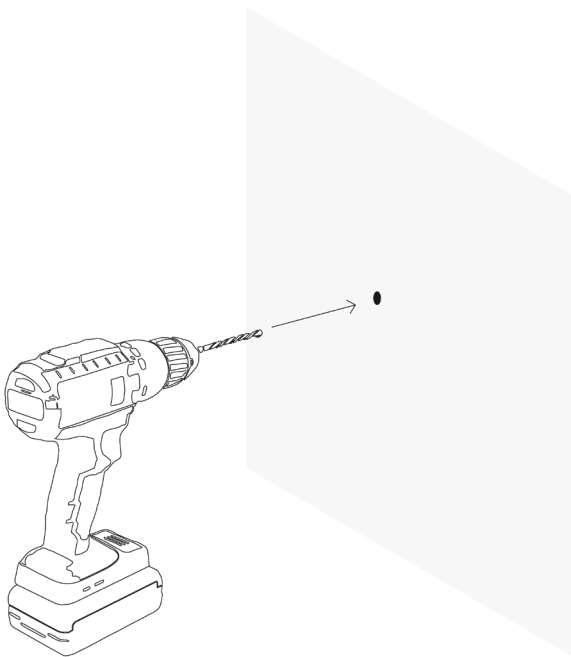
Use a level as guiding point for the measurements. A multi line laser level is preferable.

Place the wood bracket at the desired height on the wall and make sure it is level. Use a pencil to mark the position of the holes. The measurement between the bracket hole and the top of the frame is approximately 40 mm.



5. DRILL

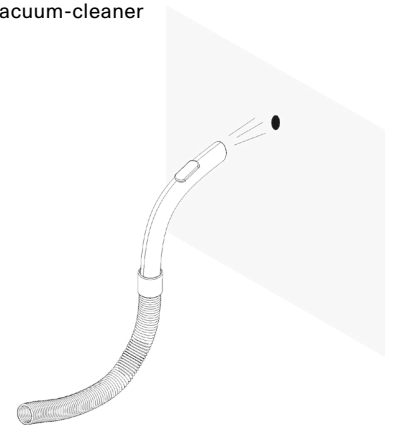
Use a suitable drill that matches the type of wall.



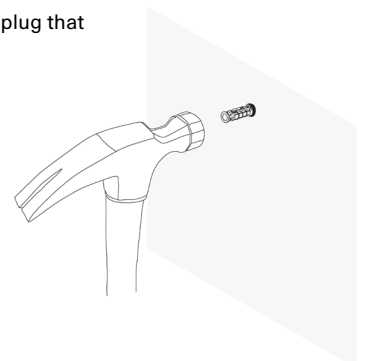
SØULD

6. CLEAN + RAWLPLUGS

Clean the hole with a vacuum-cleaner



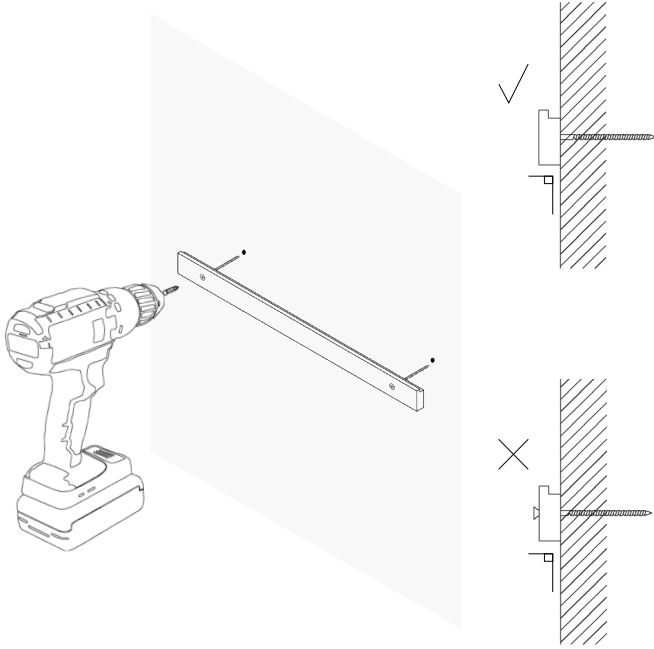
and install a suitable rawlplug that matches the type of wall.



INSTALLATION INSTRUCTIONS

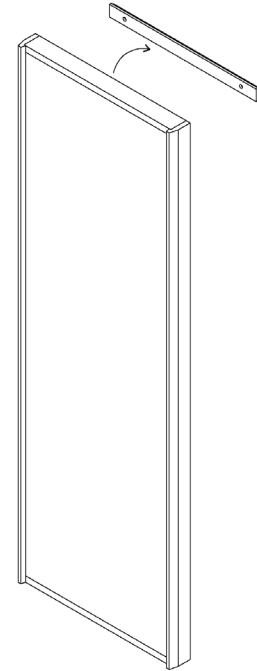
7. MOUNTING THE BRACKET

The wooden bracket is made for countersunk screws. Make sure to choose a suitable screw that match the material of the wall. We generally recommend screw length to be at least 50mm.



8. MOUNTING THE FRAME

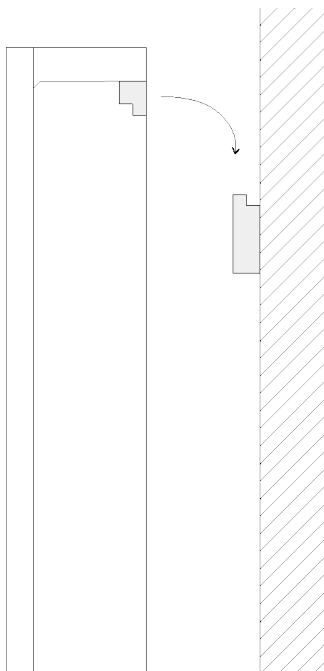
Lift the frame and place it on the bracket. Make sure that the back of the frame is flush with the wall before lowering the frame onto the bracket.



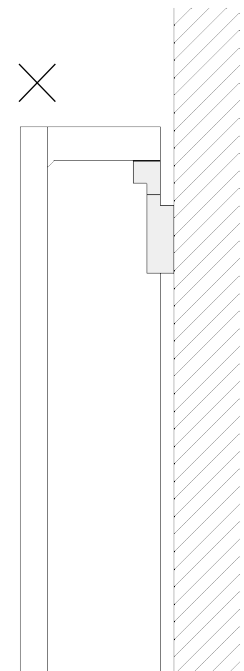
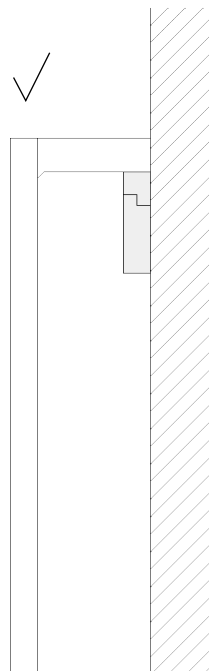
9. CHECK THE INSTALLATION

Make sure that the frame is correctly attached and secured to the bracket to prevent it from falling down accidentally.

A

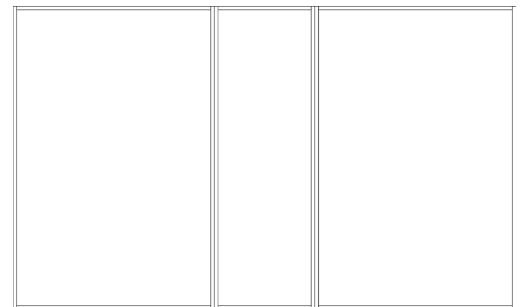
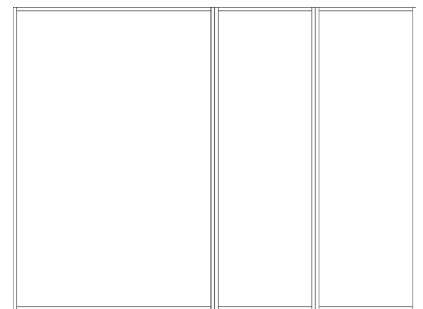
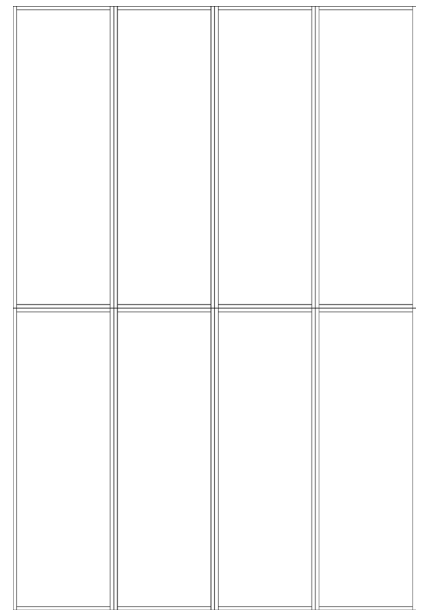
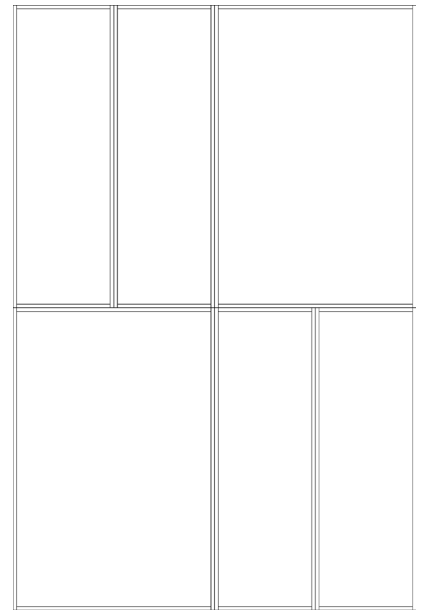
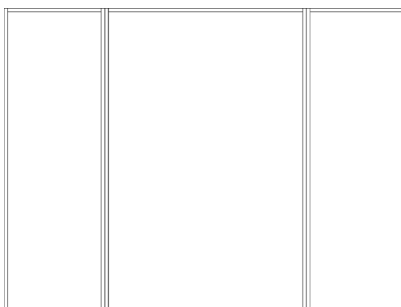
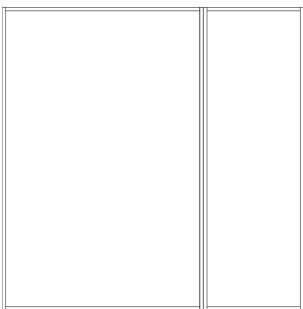
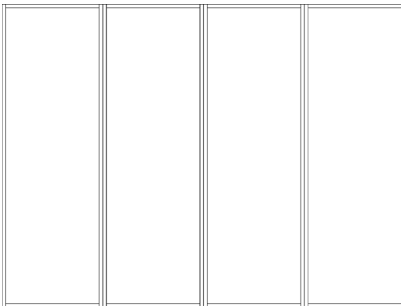
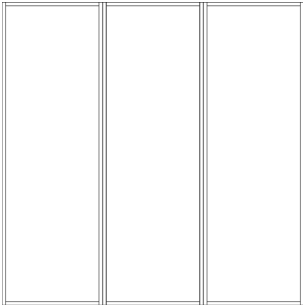
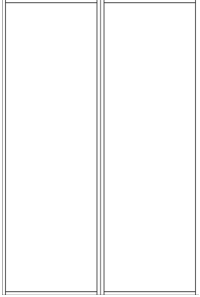


B



10. EXAMPLES OF SETUPS

If you wish to mount multiple frames, there are various methods you can use. Be aware that different mounting methods are required depending on whether the wall is even or uneven. The following pages will show you how to mount the frames.

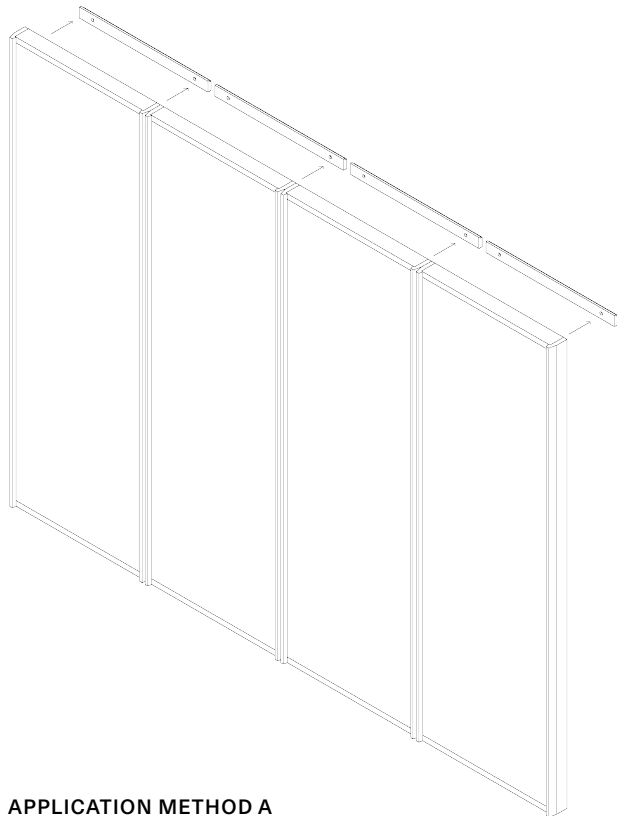
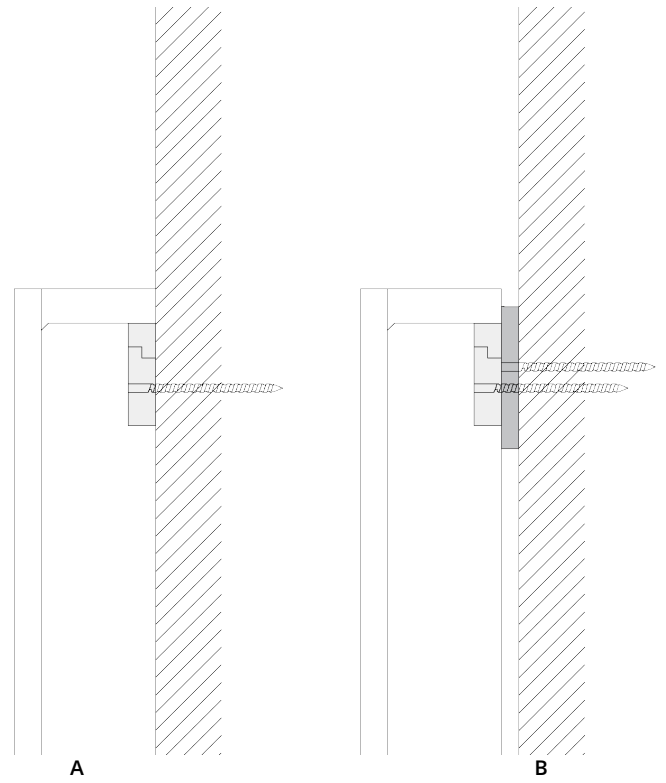


11. MOUNTING MULTIPLE FRAMES

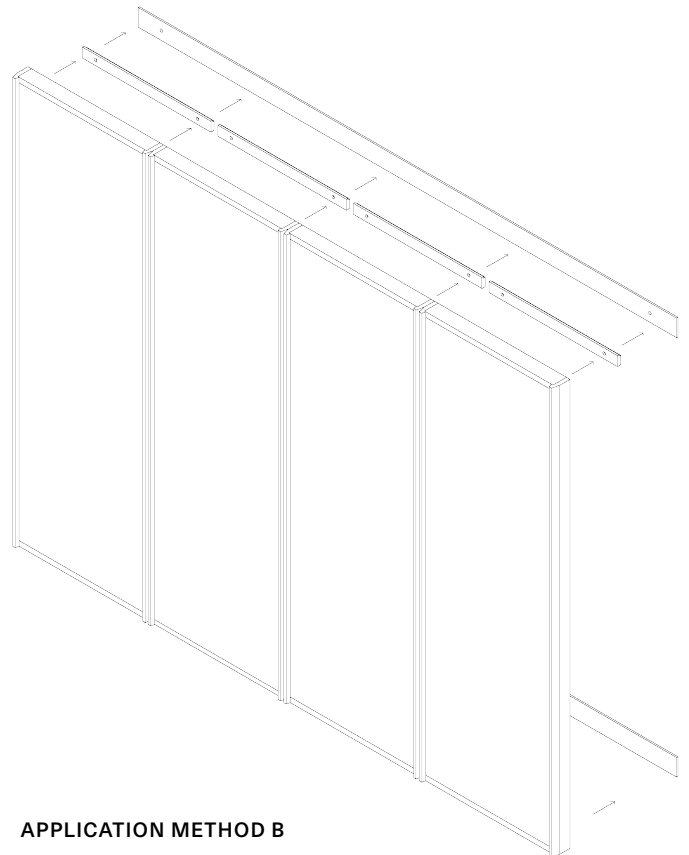
Please note that different mounting methods are required depending on how even the wall is. An uneven wall requires the installation of wooden strips first.

Proceed to application A if the wall is even. Proceed to application B if the wall is uneven.

Note that mounting directly on the wall leaves no gap. Mounting with wooden strips creates a small gap between the wall and the frame.



APPLICATION METHOD A



APPLICATION METHOD B

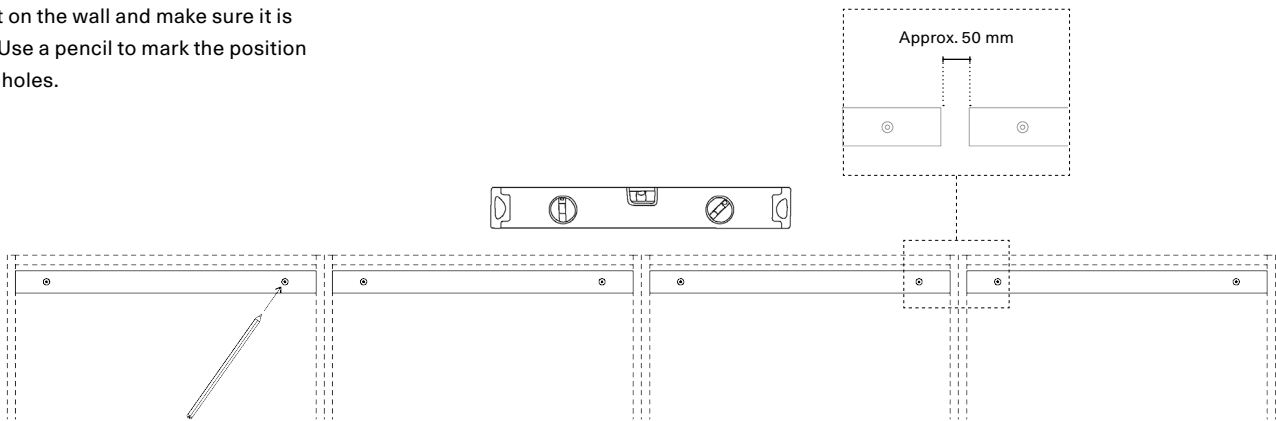
12. MEASUREMENTS

APPLICATION METHOD A

It is important to take plenty of time for the measurement, as the precision of this work will determine the final result.

Use a level as guiding point for the measurements. A multi line laser level is preferable.

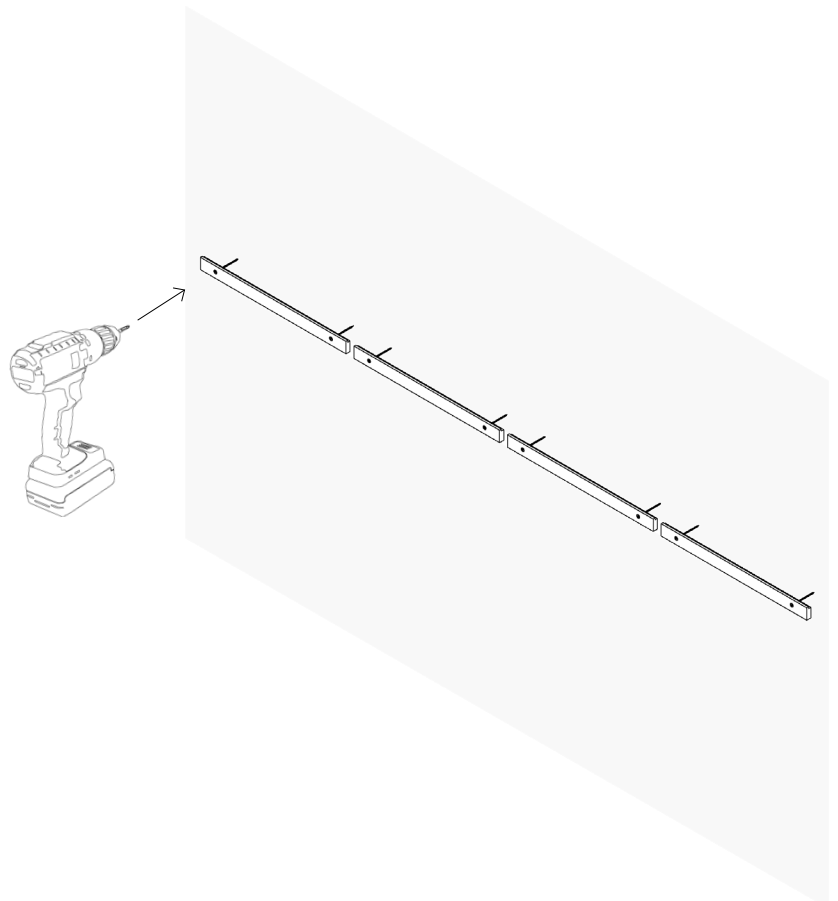
Place the wood bracket at the desired height on the wall and make sure it is level. Use a pencil to mark the position of the holes.



13. MOUNTING THE BRACKET

Begin by drilling and cleaning the holes, then mount the wooden brackets.

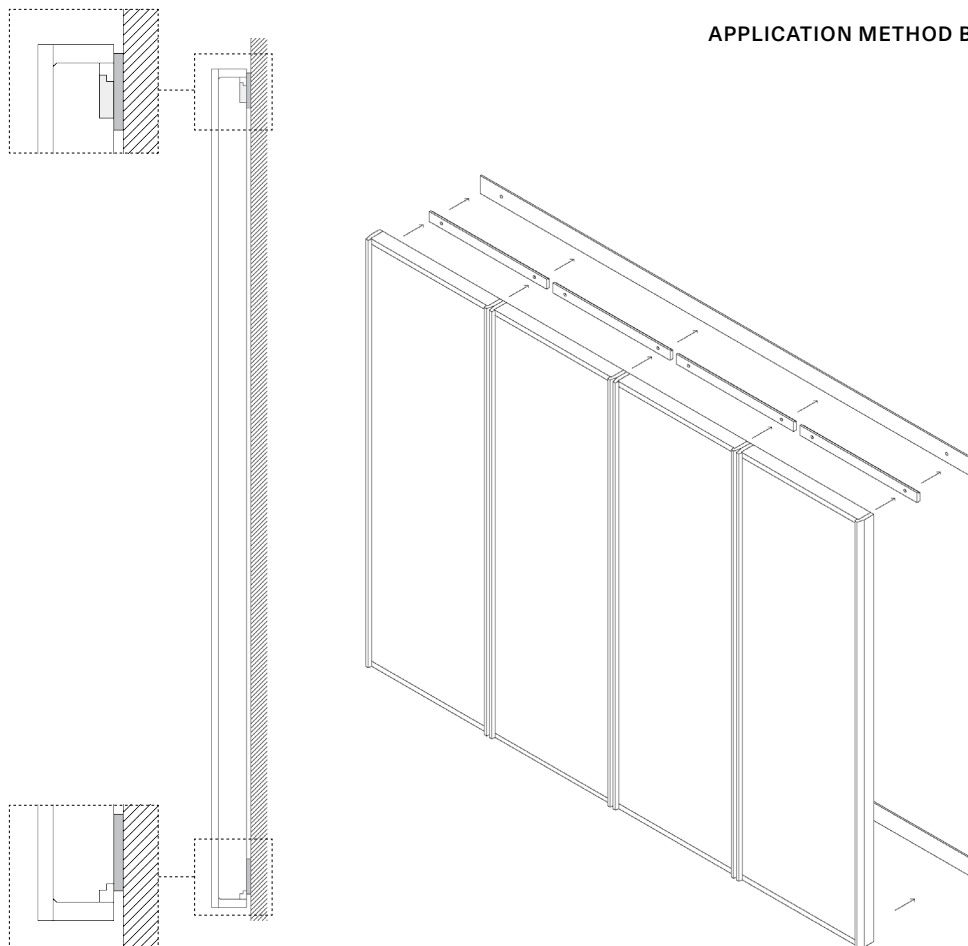
The wooden bracket is made for countersunk screws. Make sure to choose a suitable screw that match the material of the wall. We generally recommend using screws that are at least 50mm in length.



14. MOUNTING MULTIPLE FRAMES ON UNEVEN WALL

When hanging multiple frames on an uneven wall, it is important to mount the brackets on a strip to create a level base.

Note: Strips are not included. We recommend using a strip with a depth of 12 mm and height of 50 mm. Be aware that when the frames are installed, there will be a gap between the frames and the wall, creating a shadow.



APPLICATION METHOD B

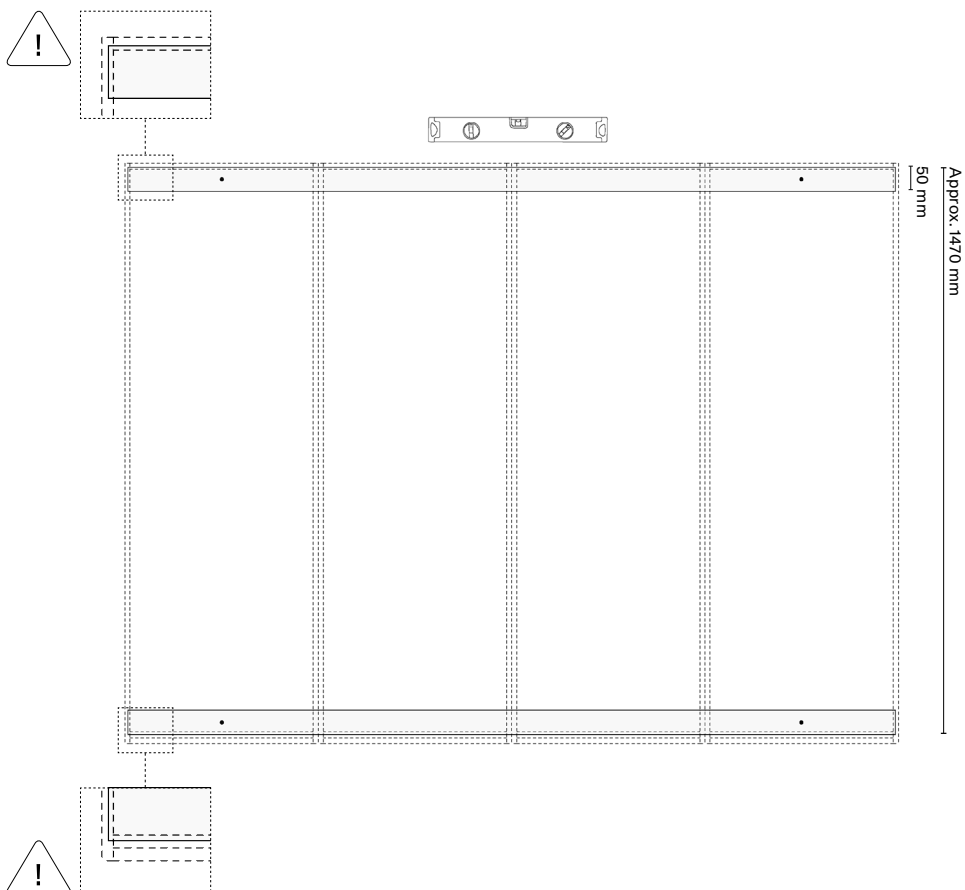
15. MEASUREMENTS - WOODEN STRIPS

Cut the wooden strip in the desired length. You will need two; one for the top and one for the bottom. The strips should not exceed the combined length of the brackets, as the strip should not be visible once the frames are hung.

It is important to take plenty of time for the measurement, as the precision of this work will determine the final result.

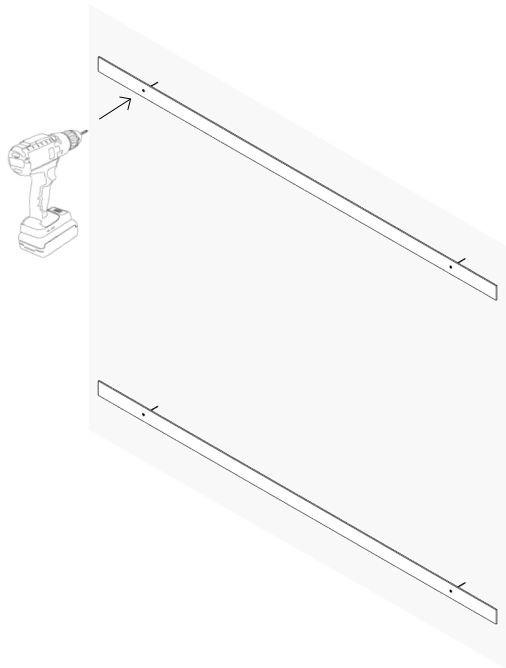
Use a level as guiding point for the measurements. A multi line laser level is preferable.

Place the wood strips at the desired height on the wall and make sure it is level. Use a pencil to mark the position of the holes. It is important that the strips are not visible behind the frames.



16. MOUNTING THE STRIPS

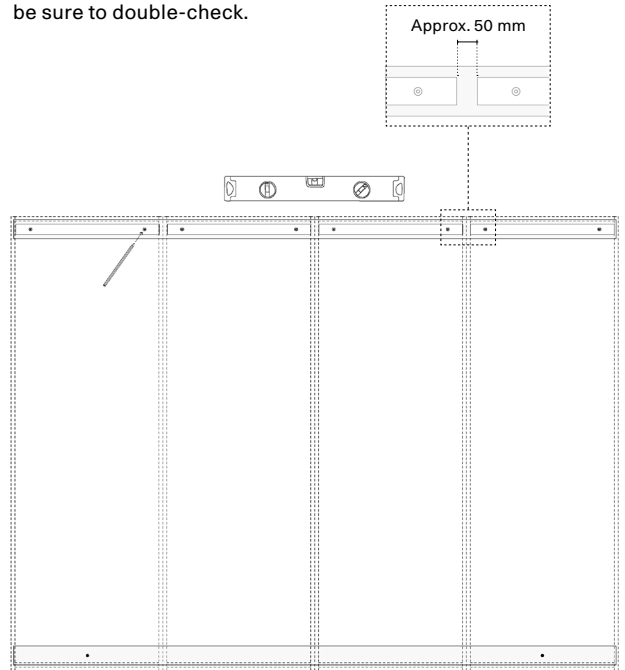
Begin by drilling and cleaning the holes, then mount the wooden strips on the wall. Ensure that you choose appropriate screws and wall plugs for the wall material.



17. MEASUREMENTS - BRACKETS

Use a level as guiding point for the measurements. Use a pencil to mark the position of the holes.

The spacing between each bracket should be approximately 50 mm, but be sure to double-check.



18. MOUNTING THE BRACKETS

The wooden bracket is made for countersunk screws. Make sure to choose a suitable screw that match the material of the wall. We generally recommend using screws that are at least 50mm in length.

