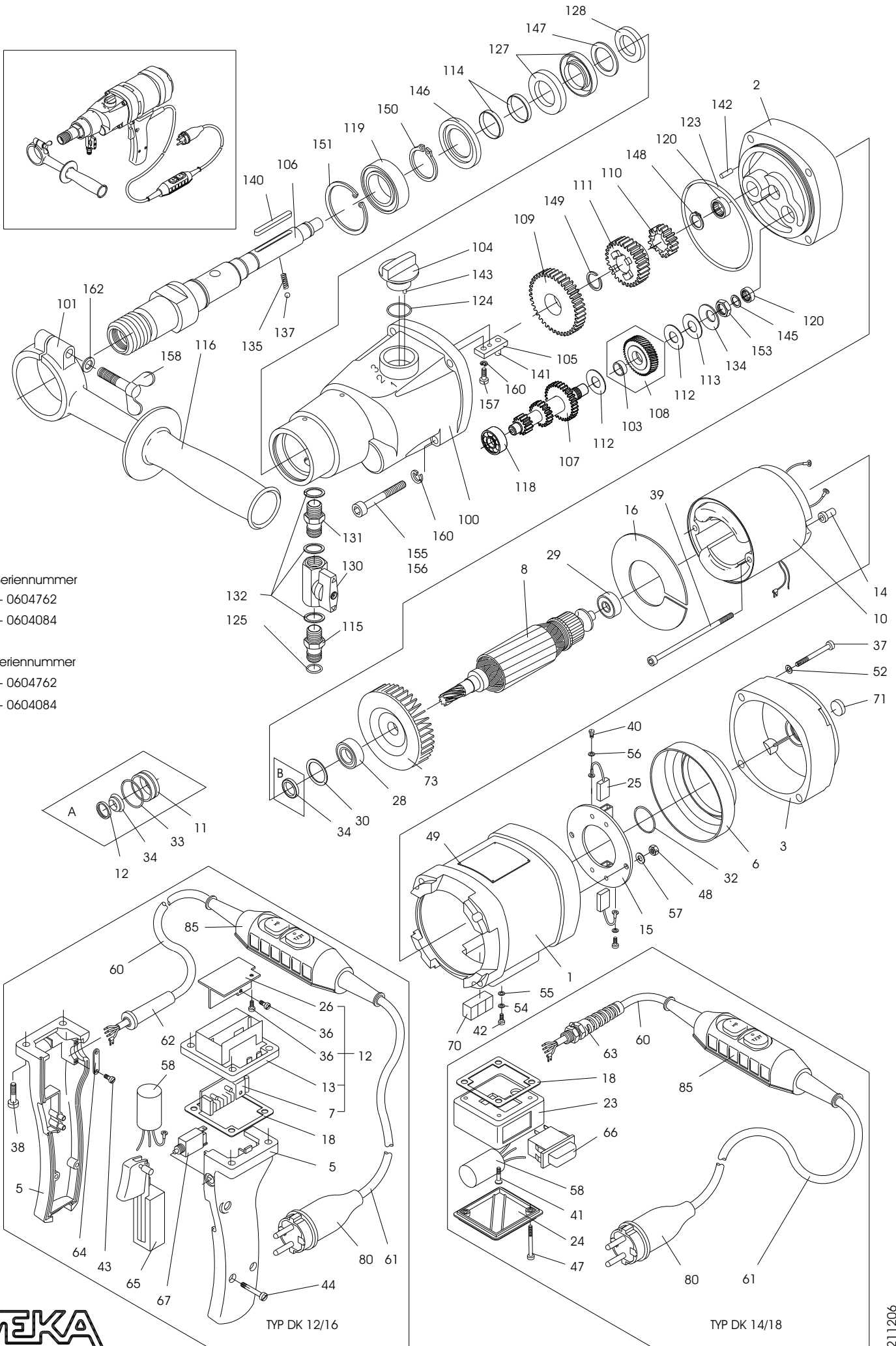
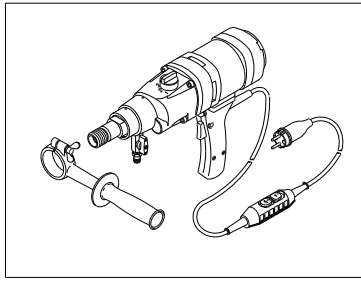


DIAMANT-KERNBOHRMASCHINE TYP DK 12/14/16/18



A: < Seriennummer
DK12 - 0604762
DK14 - 0604084

B: > Seriennummer
DK12 - 0604762
DK14 - 0604084

SPARE PARTS LIST - DIAMOND CORE DRILL TYPE DK 12/14/16/18

EE-DK1 280708

FIG NO	DESCRIPTION	PART NO DK16/18	PART NO DK12/14/16/18	FIG NO	DESCRIPTION	PART NO DK16/18	PART NO DK12/14/16/18
1	1		DK10101	100	1		DK10201
2	1		DK10102-1	101	1	DK12/16	DK12202
3	1		DK10103	103	1		DK10221
5	1	DK12/16	DK12105	104	1		DK10203
	1			105	1	DK30205	DK20205
	Motor Protection Switch	DK12/16	DK12105/11	106	1		
6	1		DK10106				DK10206
7	1	DK16510	DK10510				DK10206.3
8	1						DK10206.4
	Fan and Bearings 230 V	DK16108	DK10108-1	107	1	DK16208	DK10208
	1			108	1		DK12209
	Fan and Bearings 110 V	DK16108/11	DK10108/11-1	109	1	DK16212	DK10212
10	1	DK16109	DK10109	110	1	DK16213	DK10213
	Field compl. 230 V	DK16109/11	DK10109/11	111	1	DK16214	DK10214
12	1	DK16520	DK10520	112	2		DK10218
	Electronic sealed 110V	DK16520/11	DK10520/11	113	1		DK10219
13	1		DK10135	114	2		DK10220
14	2		DK10116	115	1		DK20225
15	1		DK10117	116	1	DK12/16	8900014
	Brush Holder Disc 230 V		DK10117/11	118	1		6062900
	1		DK10118	119	1		6060052
16	1		DK10122	120	2		6310100
18	1		DK14130	123	1		5578002
23	1	DK14/18	DK14135	124	1		5520003
24	1	DK14/18	DK10125	125	1		5511025
25	2		DK10125/11	127	2		5024407
	Carbon Brush 110 V		DK10140	128	1		5022357
26	1		6060011	130	1		7014001
28	1		6060002		1		7014005
29	1		2628171	131	1		7014002
30	1		4526025	132	3		7014003
32	1		5012247	134	1		4028142
34	1		0504006	135	1		4305016
36	2		0105035	137	1		2204000
37	4		0205025	140	1		3005040
38	4	DK12/16	0204100	141	1		2505015
39	2		0203005	142	1		2504010
40	2		0405016	143	1		2503016
41	1	DK14/18	0304006	145	1		1910161
42	1		0539095	146	1		DK10204
43	2	DK12/16	0539019	147	1		1925403
44	2	DK12/16	0205050	148	1		3514001
47	2	DK14/18	1004000	149	1		3618000
48	2		2223004	150	1		3525012
49	4		1805000	151	1		3447175
52	4		1804137	153	1		1012015
54	1		1804433	155	1		0105080
55	1		1803433	156	3		0105050
56	2		1804125	157	1		0105012
57	2		DK10130	158	1	DK12/16	0506040
58	1		8715152	160	5		1805000
60	1		8723151	162	1	DK12/16	1806125
61	1		8738151		1		9012001
	Cord 3G1,5x2,3 (for PRCD)		8740141		1	DK12/16	DK10810
	1		8738251				
	Cord 3G1,5x3,8 (AWG16) CEE plug		8701000				
	1	DK12/16	8804020				
	Cord 3AWG14x4 for USA	DK12/16	8800010				
	1	DK12/16	8015212				
	Cord 3G2,5x3,8 for UK	DK12/16	8015014				
62	1	DK12/16	8015514				
63	1	DK14/18	8015018				
64	1	DK14/18	8010615				
65	1	DK14/18	7510029				
66	1	DK14	7500015				
	Motor Switch 230V (pr. Switch)	DK14	DK20105				
	1	DK14/18	8016013				
	Motor Switch 110V	DK14/18	8016001				
	1	DK14/18	DK20620				
	Motor Switch (electronic)	DK14/18	8400010				
67	1	DK12	8400110				
	Motor Protective Switch 110V	DK12					
70	1						
	Tube Water-Level						
71	1						
	Tin Water-Level						
73	1						
	Fan						
80	1						
	Mains Plug 16A						
	1						
	Mains Plug 230V CEE-16A-1h						
	1						
	Pointing Sticker						
85	1						
	PRCD Inline Protector 10mA 230V						
	1						
	PRCD Inline Protector 10mA 110V						

Please specify in case of spare part orders:
Machine No., Quantity, Description, Part No. and by
electrical parts the voltage.

WEKA Elektrowerkzeuge, Auf der Höhe 20,
D 75387 Neubulach - Altbulach, Germany
Telephone: +49 7053 96816-0 · Telefax: +49 7053 3138
Internet: <http://www.weka-elektrowerkzeuge.de>
Email: weka@weka-elektrowerkzeuge.de