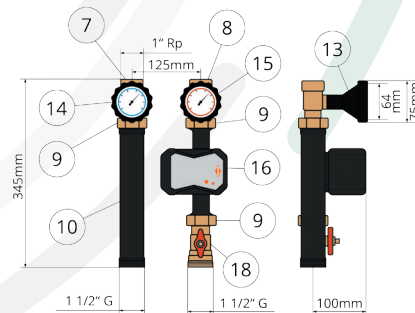


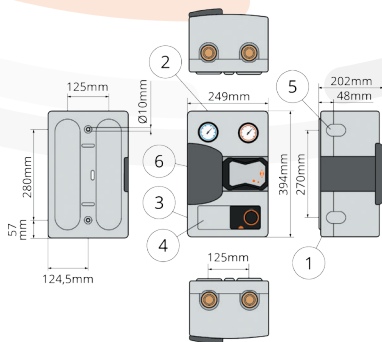
Pump groups



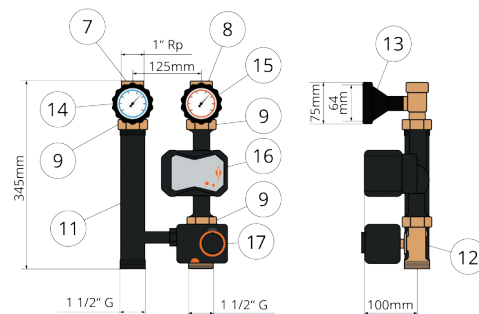
The pump group is used for unmixed and mixed heating circuits with the heating flow on left or right side.



Pict. 2: Pump group DN 25 unmixed heating circuit



Pict. 1: Pump group DN 25 dimensions



Pict. 3: Pump group DN 25 mixed heating circuit

Technical data

DN	25
Top connection	1" Rp
Bottom connection	1 1/2" G
Installation length of the pump	180 mm, R6/4", external thread
Components material	steel, brass, EPP insulation
Sealing material	PTFE, EPDM
Temperature range	0 to 120 °C
Media temperature	max. 110 °C
Maximum system pressure	6 bar
Kvs-value	5.4 m ³ /h

Components

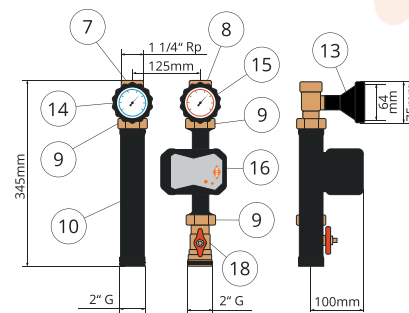
1. Insulation bottom shell
2. Insulation top shell thermometer valve
3. Insulation top shell actuator
4. Insulation plug actuator
5. Insulation plug side outlets
6. Insulation design feature
7. Pump ball valve on return side
8. Pump ball valve on heating flow side
9. Cap nut with EPDM seal
10. Double nipple 2 x 1 1/2" G
11. Double nipple 2 x 1 1/2" G
12. Mixing valve with bypass for left / right operation
13. Ball valve with handle
14. Thermometer blue for return flow side
15. Thermometer red for heating flow side
16. WITA® pump
17. WITA® actuator mixing valve
18. Pump flange ball valve

Pump groups

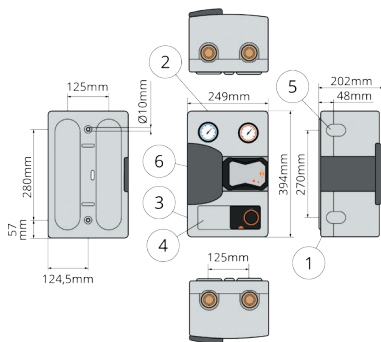
and more / Pump groups 



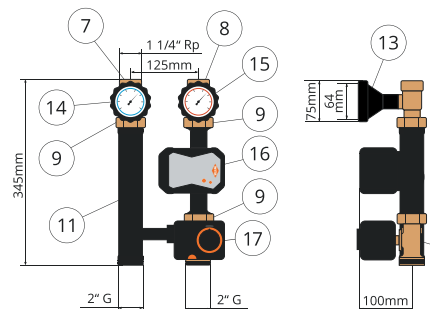
The pump group is used for unmixed and mixed heating circuits with the heating flow on left or right side.



Pict. 2: Pump group DN 32 unmixed heating circuit



Pict. 1: Pump group DN 32 dimensions



Pict. 3: Pump group DN 32 mixed heating circuit

Technical data

DN	32
Top connection	1 1/4" Rp
Bottom connection	2" G
Installation length of the pump	180 mm, R6/4", external thread
Components material	steel, brass, EPP insulation
Sealing material	PTFE, EPDM
Temperature range	0 to 120 °C
Media temperature	max. 110 °C
Maximum system pressure	6 bar
Kvs-value	6.1 m ³ /h

Components

1. Insulation bottom shell
2. Insulation top shell thermometer valve
3. Insulation top shell actuator
4. Insulation plug actuator
5. Insulation plug side outlets
6. Insulation design feature
7. Pump ball valve on return side
8. Pump ball valve on heating flow side
9. Cap nut with EPDM seal
10. Double nipple 2 x 1 1/2" G
11. Double nipple 2 x 1 1/2" G
12. Mixing valve with bypass for left / right operation
13. Ball valve with handle
14. Thermometer blue for return flow side
15. Thermometer red for heating flow side
16. WITA® pump
17. WITA® actuator mixing valve
18. Pump flange ball valve