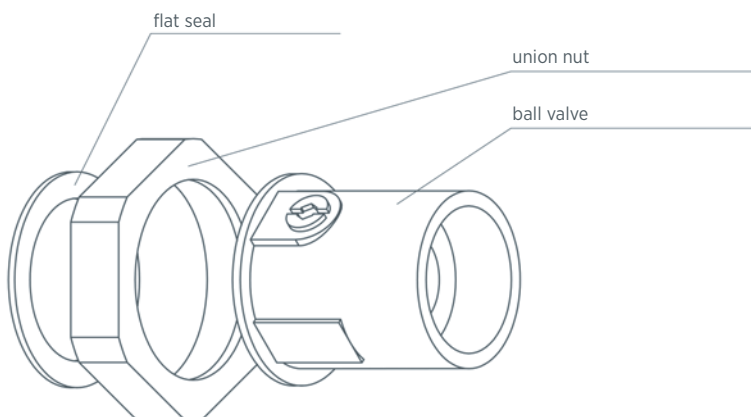


WITA Shut-Off Ball Valve with Union Nut

Product Description

The shut-off ball valves made of brass are supplied as a set (2 pcs.) with a union nut and sealing. Shut-off ball valves are perfectly suitable for shutting off the flow of medium in pumps and pipes in heating installations as well as heating and solar systems.



Technical Data

Material housing	brass CW617N
Material ball	chrome-plated brass CW617N
Material seal	PTFE / NBR
Temperature range	+5 °C - +110 °C
Maximum system pressure	10 bar
Operating medium	heating water according to VDI 2035 water/glycol mixture 1:1
Options available	1) 1" female threaded shut-off ball valve with 1 1/2 " union nut and flat seal 2) 1 1/4" female threaded shut-off ball valve with 2" union nut and flat seal