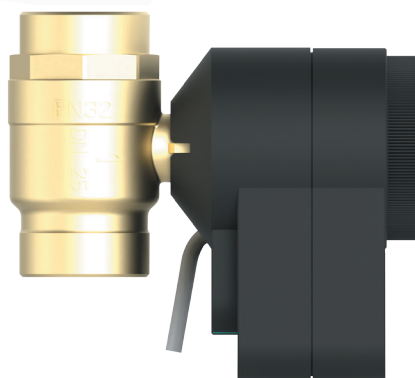
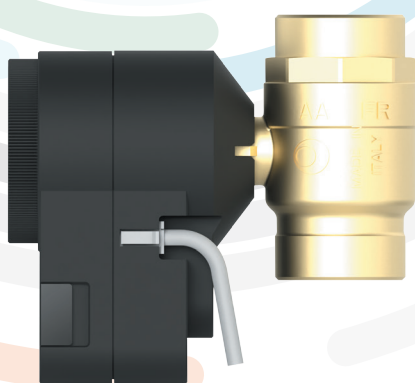


# Actuators

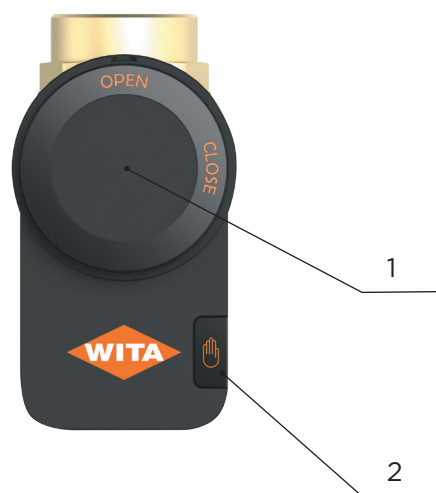
## WITA Actuator SM Mini KV



### Features

- Minimal flow resistance or flow reduction.
- Suitable for use in domestic and commercial systems.
- Suitable for use in heating systems and hot water systems.
- Very simple and quick installation.
- Indication of the direction of rotation.
- Indication of valve position.
- Built-in clutch for manual operation.
- No damage to the actuator in the event of a valve blockage.
- Completely sealed.

### Description of settings buttons



- 1 - Manual movement button.  
2 - Clutch for manual movement.



## Outlined functions

### Manual mode

Manual mode of the SM Mini KV actuator can be activated by pressing the button. Internal drive motor is switched off in manual mode (optional).

### Manual mode options

The SM Mini KV actuator is equipped with a manual mode function.

In cases where this is not necessary or allowed, the actuator can only have a valve position indication. In such cases, the actuator can only be moved with the help of a control unit that operates the actuator.

### Electrical connection options

The actuator is equipped with two electrical connection options. By default, it is fitted with a 1-meter long cable.

Optionally, instead of a cable, it can be equipped with a 6-pin plug-in connector. This is convenient when the actuator is installed in assemblies with pre-fabricated electrical installations.

### Quick and tool-free installation

The installation of the SM Mini KV actuator is tool-free. For mounting, it is necessary to press the actuator onto the valve. For disassembly, it is necessary to forcibly pull the actuator off the valve.

The actuator is protected against self-actuated removal from the valve.

## Typical application

	SM Mini KV with 2-way ball valve	SM Mini KV with 3-way ball valve
Switchover from a solid fuel boiler to an oil boiler	-	●
Switchover from a solid fuel boiler to a gas boiler	-	●
Switchover of the storage tank to an oil boiler	-	●
Switchover of the storage tank to a gas boiler	-	●
Switchover between a solid fuel boiler and a solar system (domestic hot water heating)	-	●
Switchover between an oil boiler and a solar system (domestic hot water heating)	-	●
Switchover of the heat pump and the solar system (domestic hot water heating)	-	●
Switchover between heating and domestic hot water heating	-	●
Switchover of the collectors field	-	●
Switchover of the domestic hot water storage tank to the storage tank (solar system)	-	●
Switchover of the domestic hot water storage tank to the pool (solar system)	-	●
Switchover between two heat exchangers	-	●
ON/OFF zone control of systems	●	-
As a blocking element for heating systems	●	-
As a blocking element for domestic hot water systems	●	-
As a blocking element for cooling systems	●	-
As a blocking element in processing industry and agriculture	●	-

# Actuators

## Technical specifications for actuator

SM Mini BR

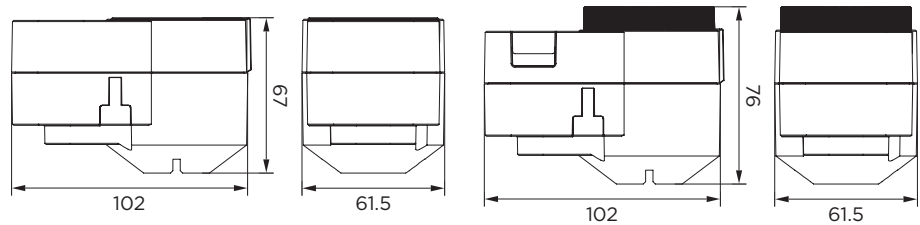
SM Mini BRS

SM Mini SR

SM Mini SRS

Connection voltage	230 V- or 24 V-
Manual movement	-
AUX switch	-
Own consumption	< 5 W
Consumption in standby mode	< 0.25 W
Degree of protection	IP42
Safety class	II for the voltage of 230 V- III for the voltage of 24 V-
Housing material	PC - dark grey
Connection with cable	•
Standard cable length	1 m
Connection with connector	Optional
Operating temperature	0 - 50 °C
Storage temperature	-20 - 75 °C
Product weight	390 - 860 g

## Dimensions



## Electrical connection

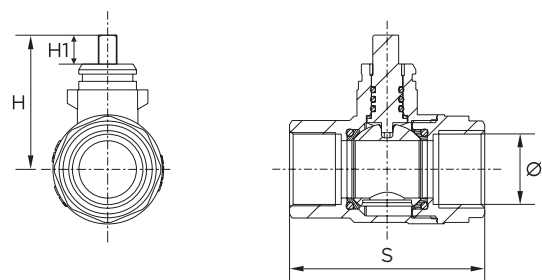


## Actuator SM Mini KV with 2 ball valve V

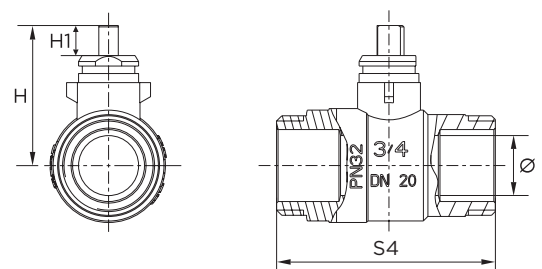
### Technical specifications for 2-way ball valve V

Dimensions (mm)	DN 15	DN 20	DN 25	DN 32
H	41.3	46.5	51.3	56.3
H1	8	10	10	10
Ø	15	20	25	32
Ø1	15	22	28	-
S	62	68	81	86
S1	62	74	82	83
S2	119	138	149	158
S3	62	72	82	-
S4	62	74	82	83
<b>Weight (g)</b>				
FF	230	340	530	680
MM	360	560	840	1130
CC	260	400	600	-
MM-S/R	230	360	590	680

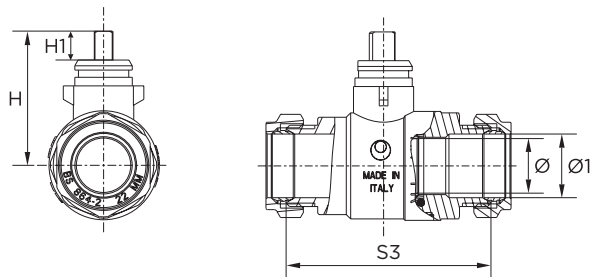
V21..



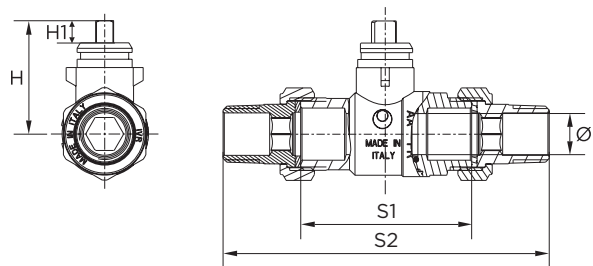
V22..



V23..



V25..

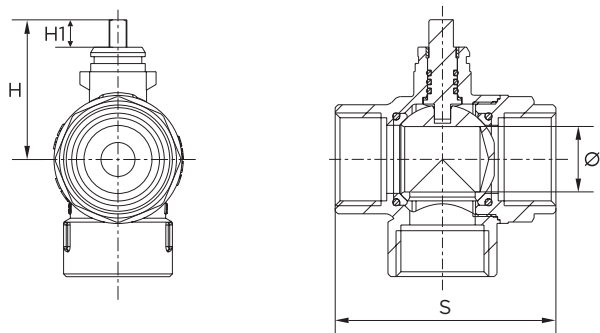


### Actuator SM Mini KV with 3 way ball valve V

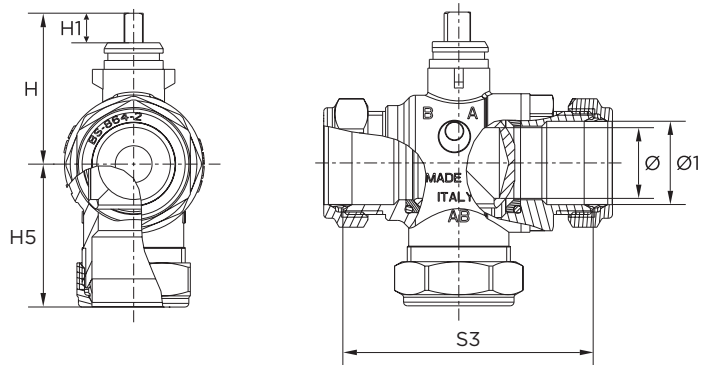
#### Technical specifications for 3-way ball valve V

Dimensions (mm)	DN 20	DN 25	DN 32
H	46.8	51.3	57.8
H1	10	10	10
H2	40	43	52
H3	40	42	52
H4	72	75.5	89
H5	40	42	-
Ø	19	24	32
Ø1	22	28	-
S	68	81	92
S1	73	85	90
S2	137	152	165
S3	72	85	-
<b>Weight (g)</b>			
FFF	415	615	910
MMM	720	1180	1720
CCC	495	710	-

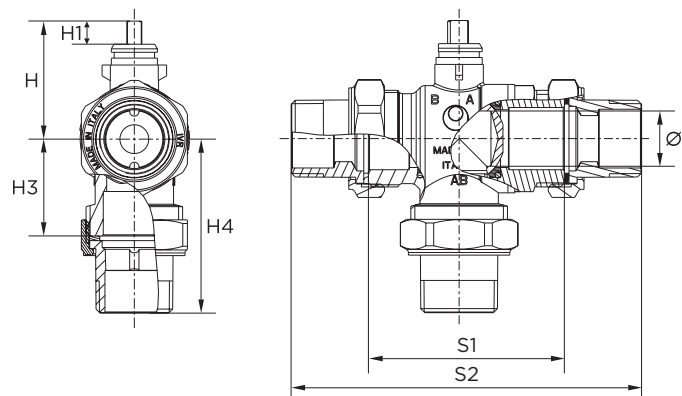
VC1..



VC3..



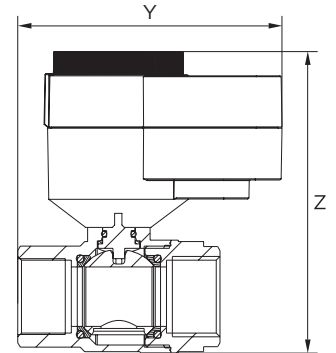
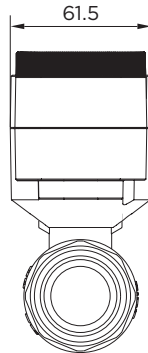
VC5..



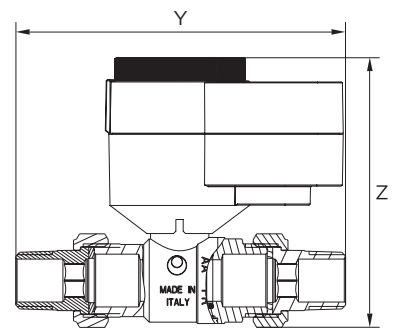
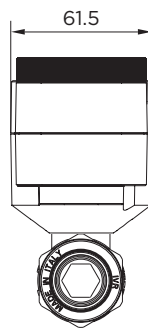
# Actuators

## Actuator SM MINI KV with 2-way ball valve V

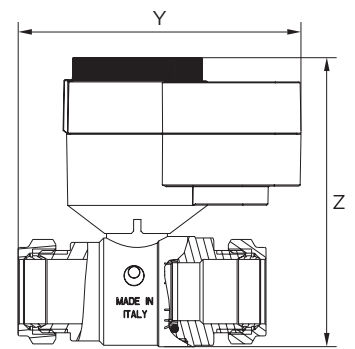
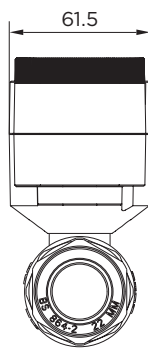
Valve type	DN	Z	Y
V2115	DN 15	92.3	101
V2120	DN 20	95.8	101
V2125	DN 25	100.3	105.2
V2132	DN 32	105.3	107.7



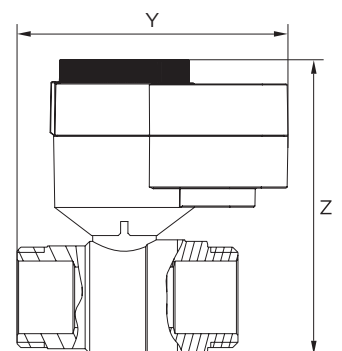
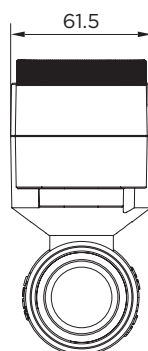
Valve type	DN	Z	Y
V2515	DN 15	92.3	124.2
V2520	DN 20	95.8	138
V2525	DN 25	100.3	149
V2532	DN 32	105.3	158



Valve type	DN	Z	Y
V2315	DN 15	92.3	101
V2320	DN 20	95.8	101
V2325	DN 25	100.3	105.7

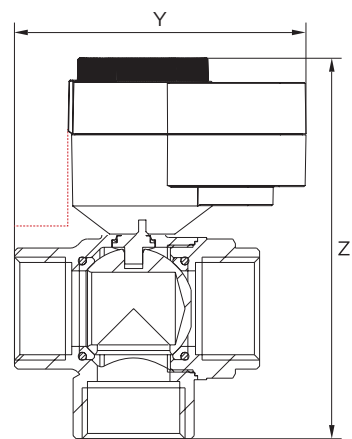
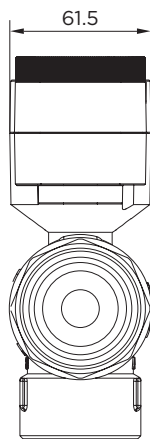


Valve type	DN	Z	Y
V2215	DN 15	92.3	101
V2220	DN 20	95.8	101.7
V2225	DN 25	100.3	105.7
V2232	DN 32	105.3	106.2

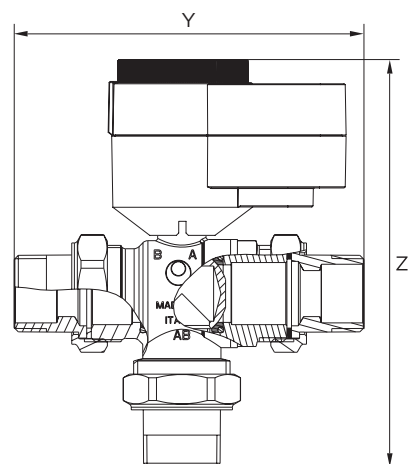
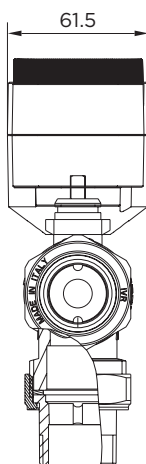


## Actuator SM MINI KV with 3-way ball valve VC

Valve type	DN	Z	Z1	Y
VC120	DN 20	95.8	135.8	101
VC125	DN 25	100.3	143.3	105.2
VC132	DN 32	106.8	158.8	110.7



Valve type	DN	Z	Z1	Y
VC520	DN 20	95.8	167.8	137
VC525	DN 25	100.3	175.8	152
VC532	DN 32	106.8	195.8	165



Valve type	DN	Z	Z1	Y
VC320	DN 20	95.8	135.8	101
VC325	DN 25	100.3	142.3	107.2

