

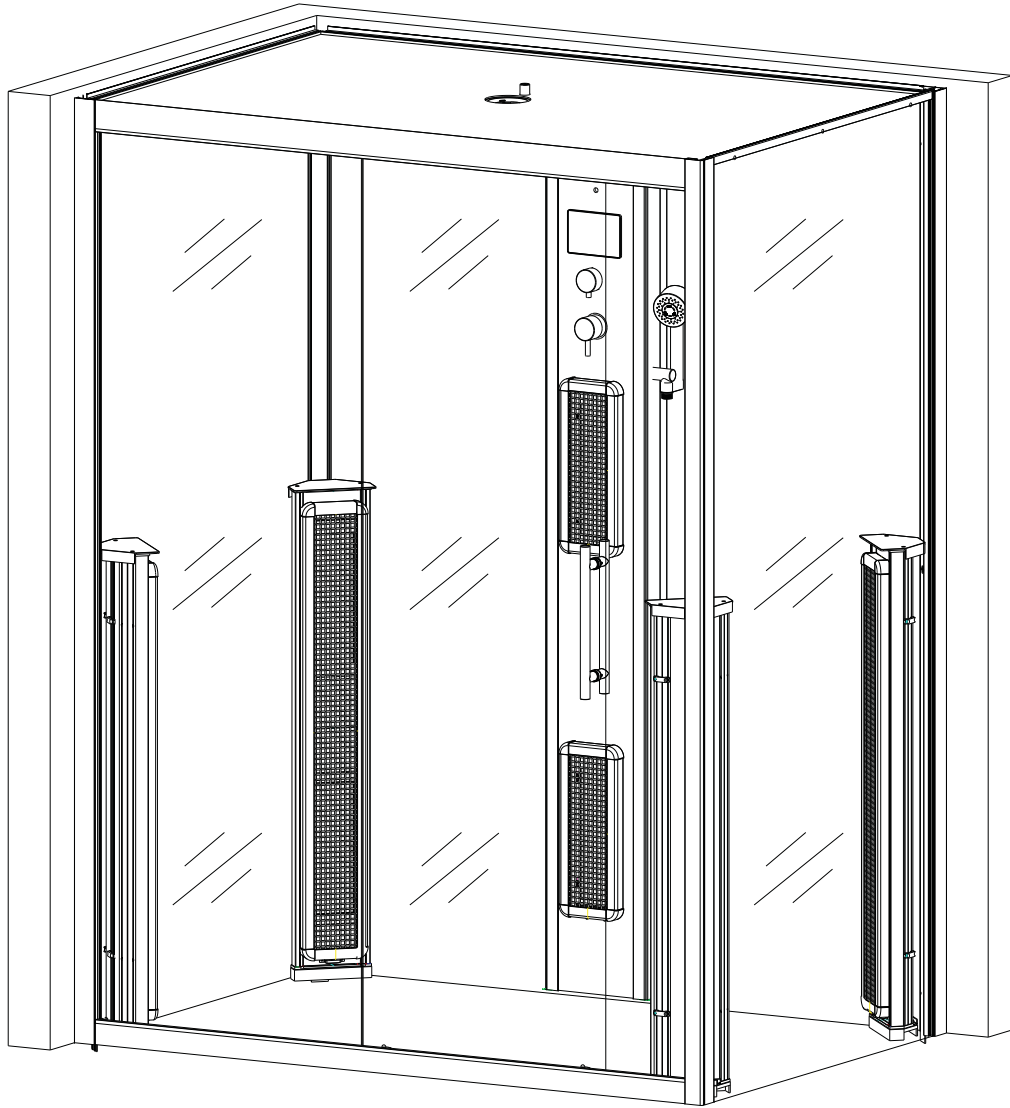
# PRODUCT MANUAL

---

Model:

□ K095

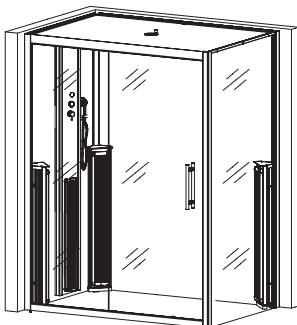
□ K093



K095

PICTURES:

SIZE:



K093

K095: 1500\*1000\*1980mm

K093: 1300\*1000\*1980mm

# Content

Dear Users,

Thanks for purchasing our products. In order to use these products safely and effectively, please read this manual carefully before use.

We reserve the right to improve our products.

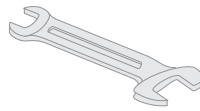
## Content

Content .....	01
Preparation .....	02
Part list .....	02
Circuit drawing .....	03~04
Water&electricity install drawing .....	05
Parts drawing .....	06~07
Installation drawing .....	08~14
Operation instruction .....	15
Warning .....	16
Reminder .....	16
Maintainance .....	16
Trouble Shooting .....	17

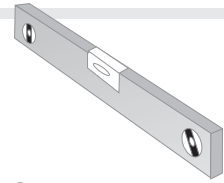
## Preparation Parameter

### Preparation

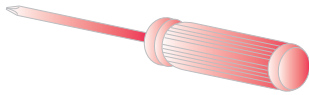
Tool



17# Spanner

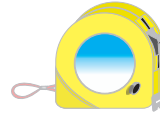


Spirit level



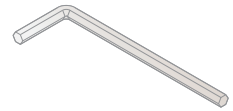
Screwdriver

Suggest using power screwdriver



3m

Tape Measure



4/2.5mm

Hexagon Wrench

1. Check the Qty of components according to packinglist or parts list.
  2. Check the Qty of materials according to parts list.
  3. Check if there is damage on the surface of product components or not.
  4. A grounded outlet needed as recommend to use at least 16A with a fuse of the leakage protection switch.
  5. A professional personnel or electricians is needed when installing electrical components.
- If can not satisfy above conditions, please stop installing immediately and contact the dealer.

### Technology parameters

Rated Voltage: AC220-240V

Rated Power(infrared): 2500W ( K095 )

Rated Power(infrared): 2000W ( K093 )

Rated Power(steam): 3000W

Rated Current: 13.2A

Rated frequency: 50Hz

Insulated Resistance: >20MΩ

Waterproof grade: IPX4

Class: I

### Load parameter

Upper heater: AC220-240V/200W

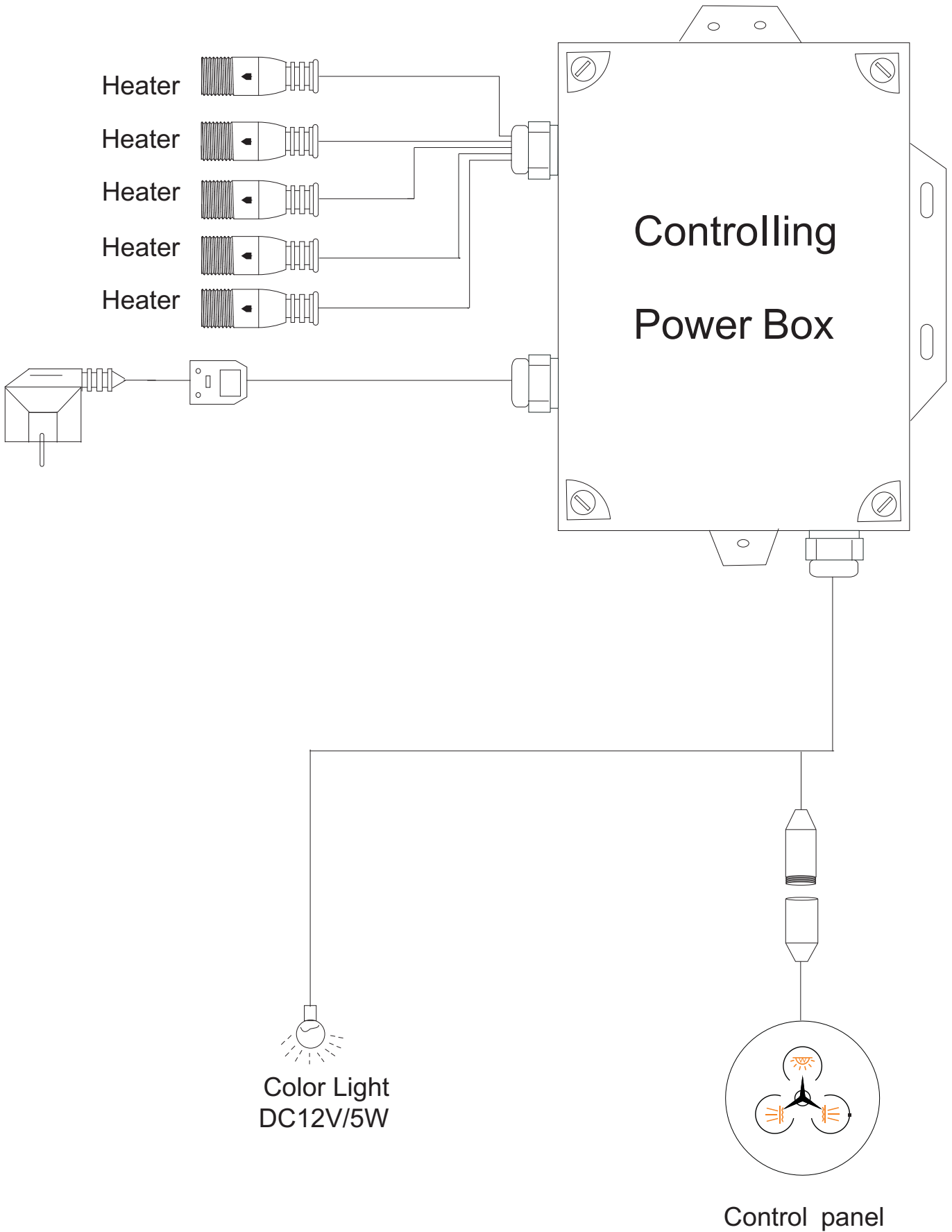
Nether heater: AC220-240V/250W

Fan: DC12V/5W

Color Light: DC12V/5W

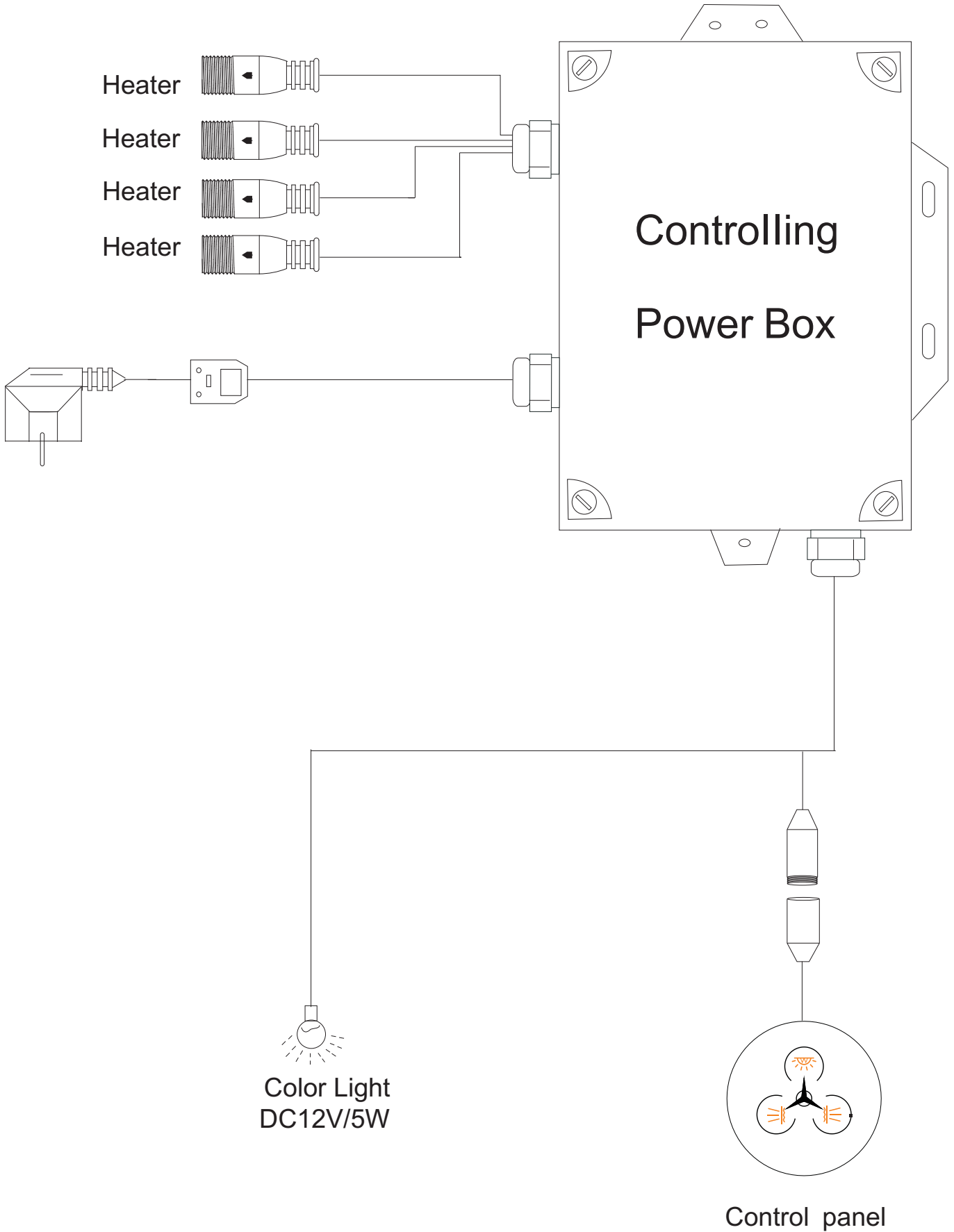
Speaker: 8Ω/10W

K095

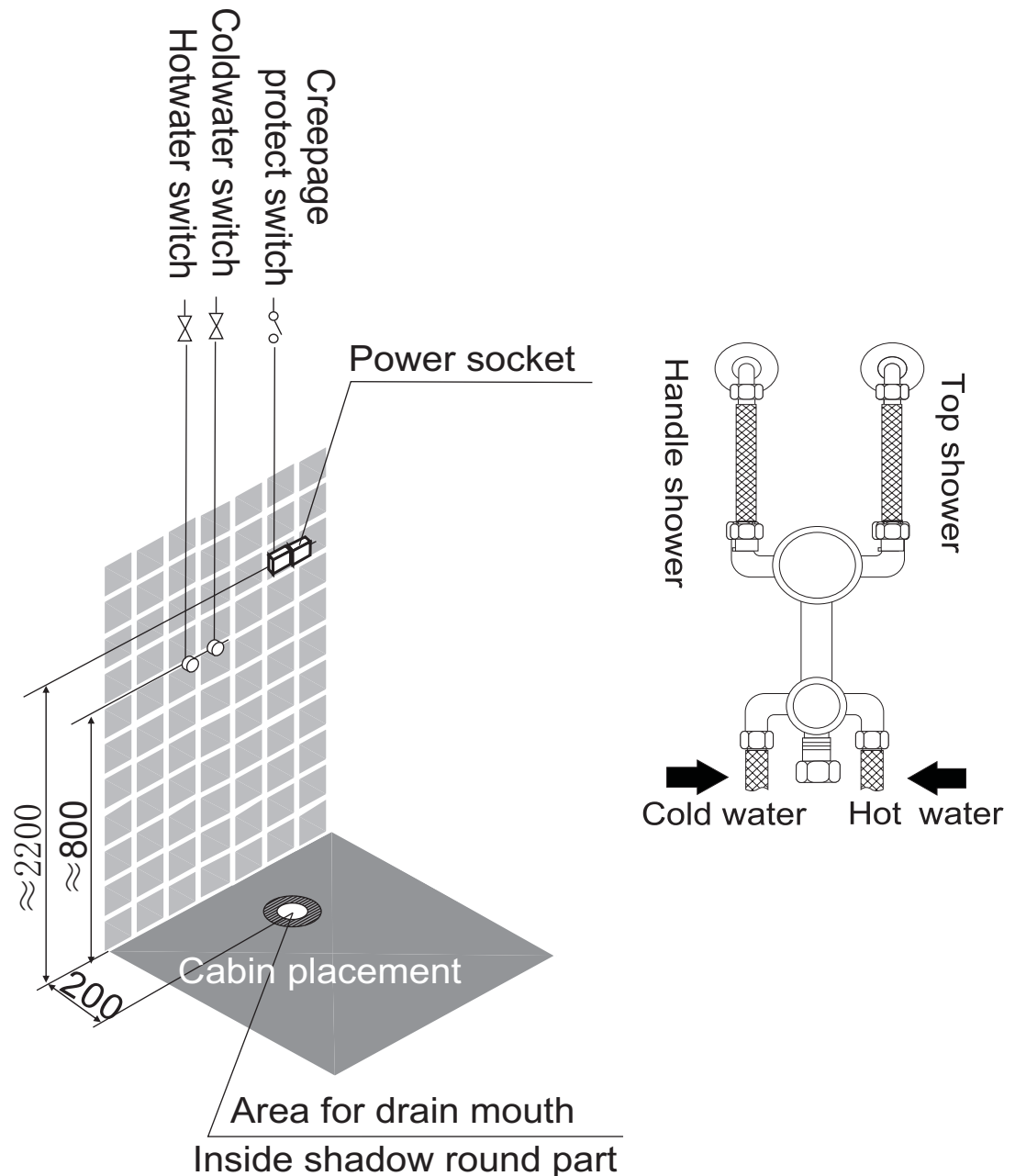




K093



# Water&electricity install drawing



Hot water: G1/2 steel wire tube, height 800mm; Inside shadow round part

Cold water : G1/2 steel wire tube, height :800mm;

Power: 220-240V 50HZ/60HZ single phase three line system, above 16A load capability, 1200mm high from earth;

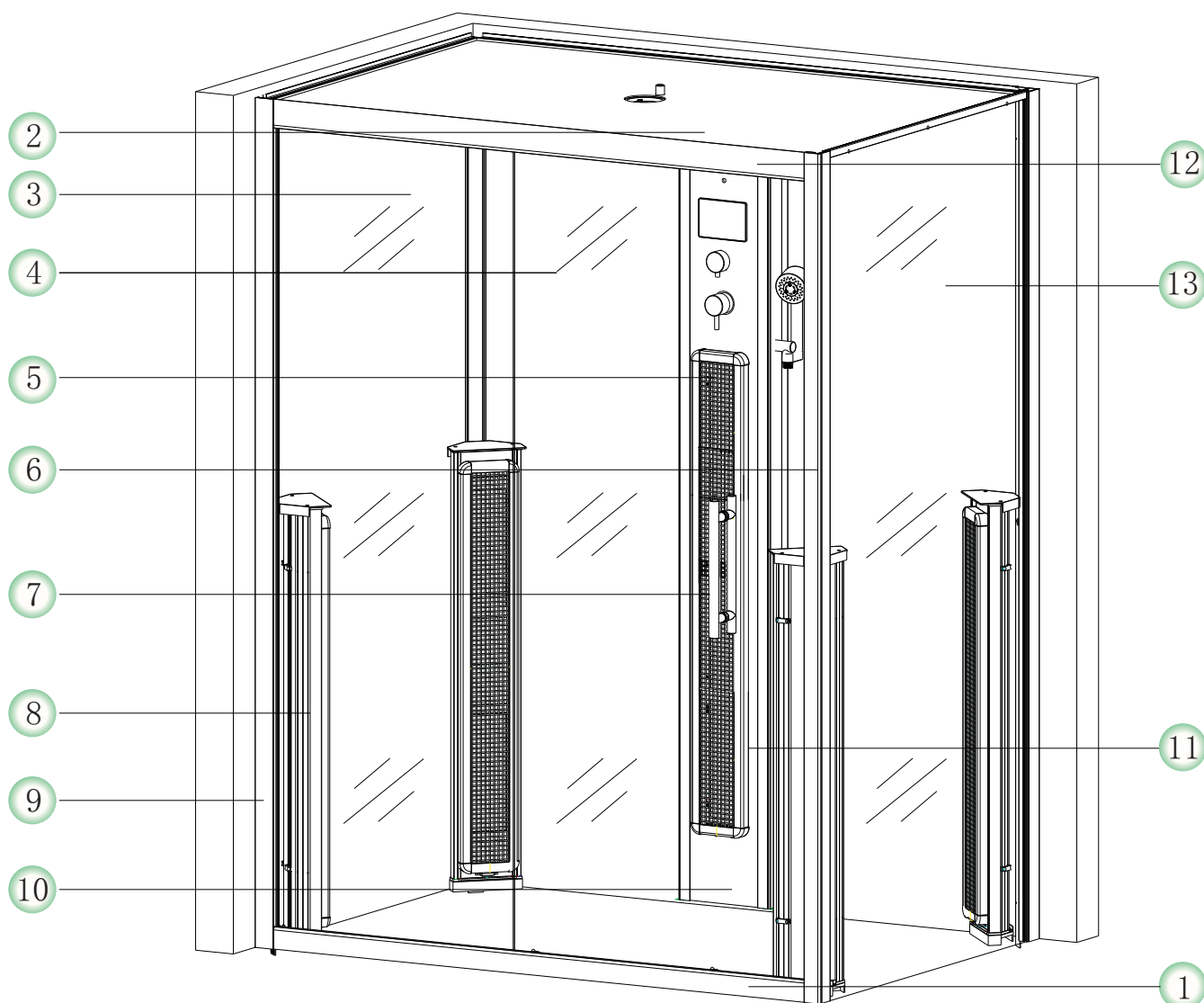
Sinkhole: The diameter of the sinkhole underground should be  $\Phi 60$  .

Attention:

1. When turn on the steam, please be sure that there`s enough cold water, otherwise, the steam generator will be damaged;
2. Power and water resource should be controled by divide switch, switch must be placed in the convenient place;
3. After enjoying your shower, the power and water resource must be turn off.

# Parts drawing

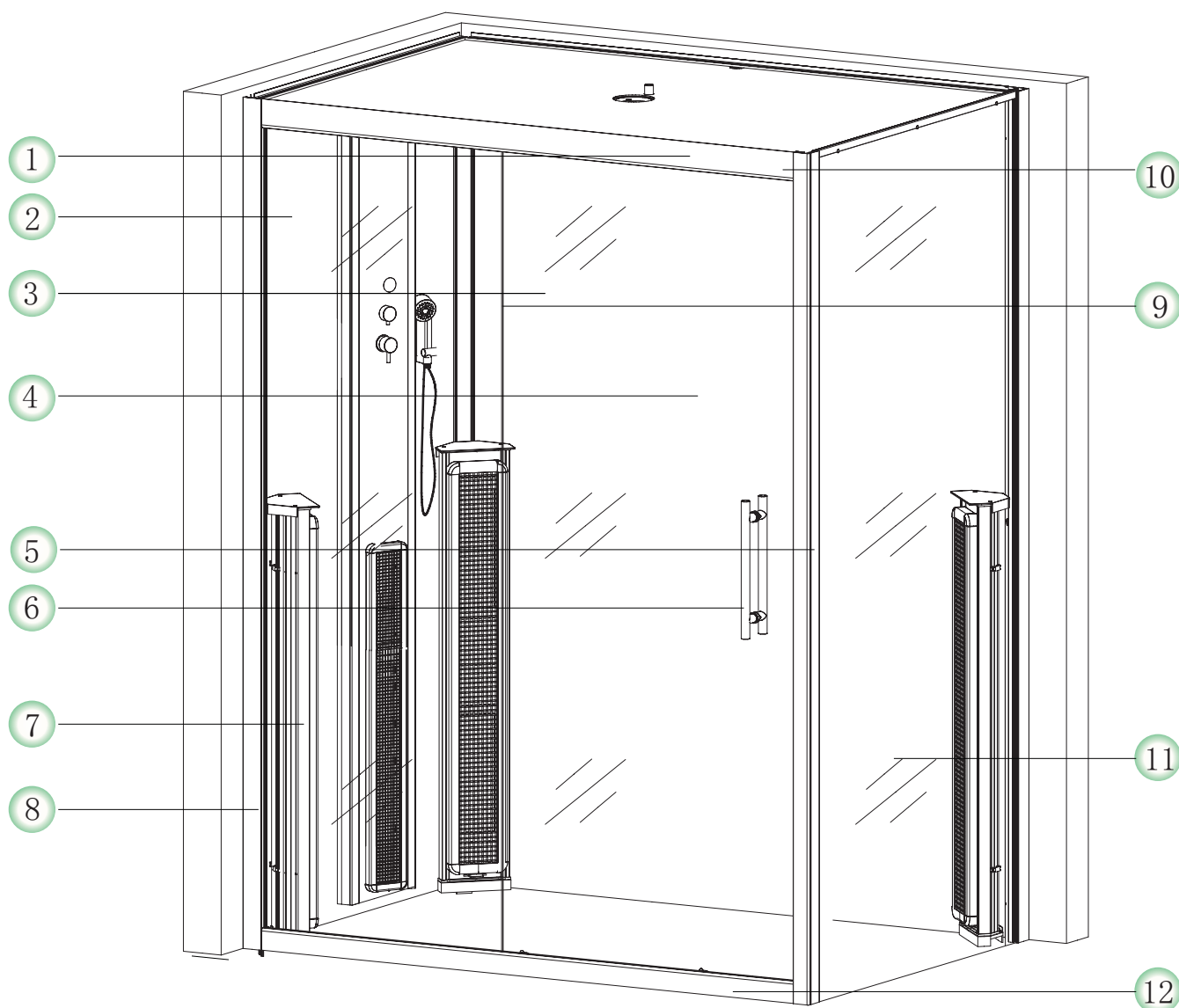
K095



No.	Parts name	Qty	No.	Parts name	Qty
1	down guide rail	1	8	Heater column	4
2	Top	1	9	side column	2
3	Left side glass	1	10	magnetic strip BC004-06MM	1
4	Glass door	1	11	Right side glass	1
5	shower column	1	12	up guide rail	1
6	Corner aluminum column	1	13	Side Glass	1
7	Handle	1			

# Parts drawing

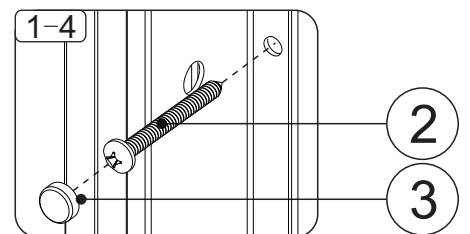
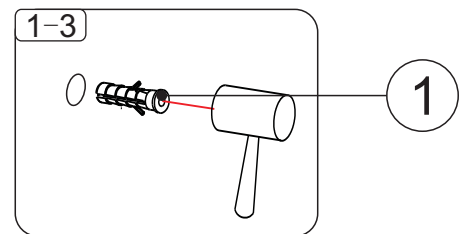
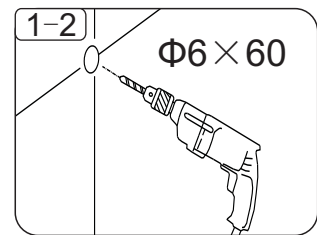
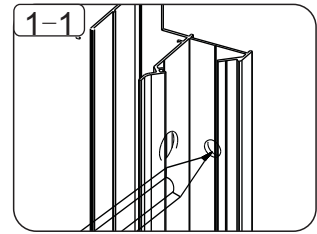
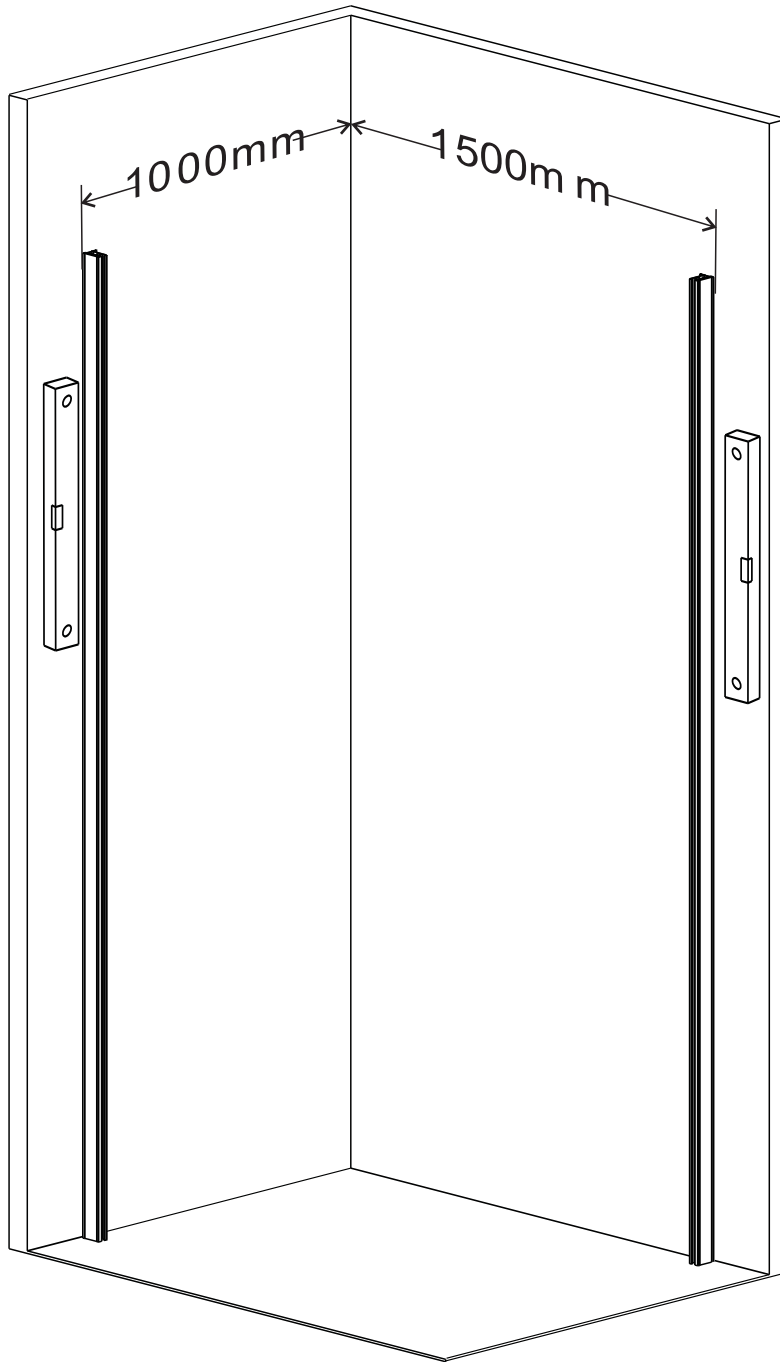
K093



No.	Parts name	Qty	No.	Parts name	Qty
1	Top	1	8	side column	2
2	Left side glass	1	9	magnetic strip BC004-06MM	1
3	Glass door	1	10	up guide rail	1
4	shower column	1	11	Side Glass	1
5	Corner aluminum column	1	12	Right side glass	1
6	Handle	1	13	down guide rail	1
7	Heater column	4			

# Installation drawing

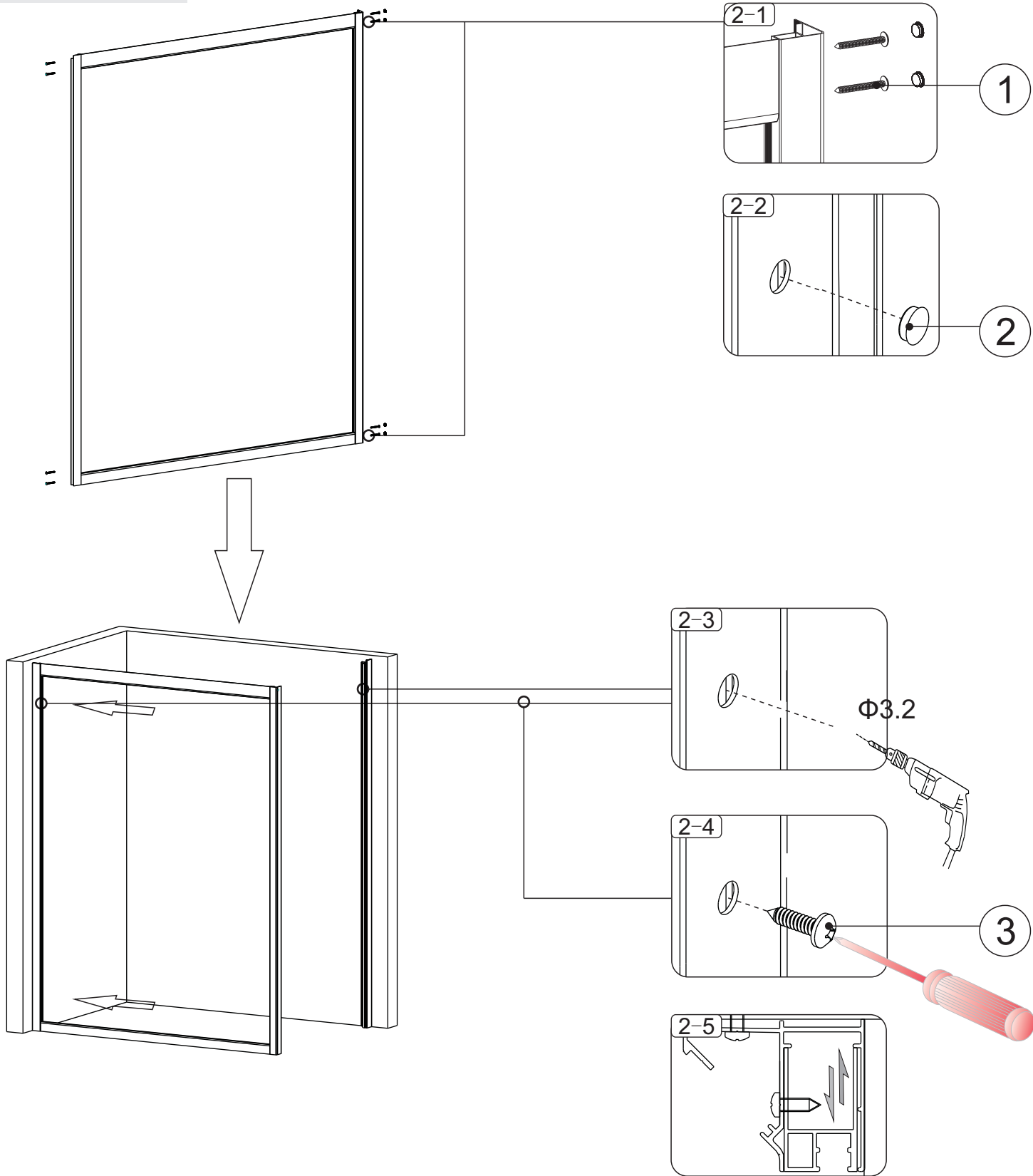
## Step 1



No.	Material	No.	Material
1	plastic grain	3	Decorative screw cap
2	ST4*30 screw		

# Installation drawing

## Step 2

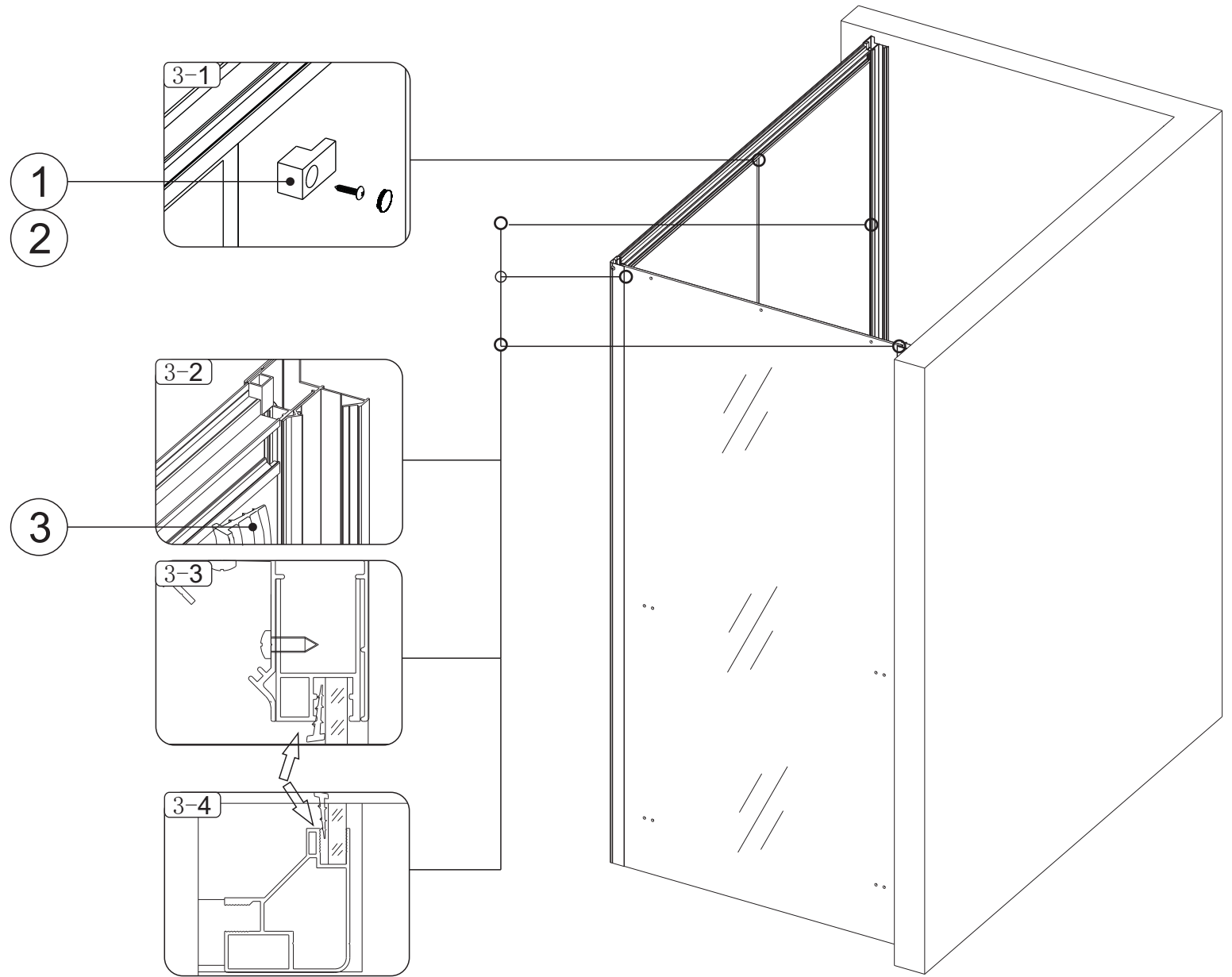


No.	Material
1	ST4*45 screw
2	Decorative screw cap

No.	Material
3	ST4*12 screw

# Installation drawing

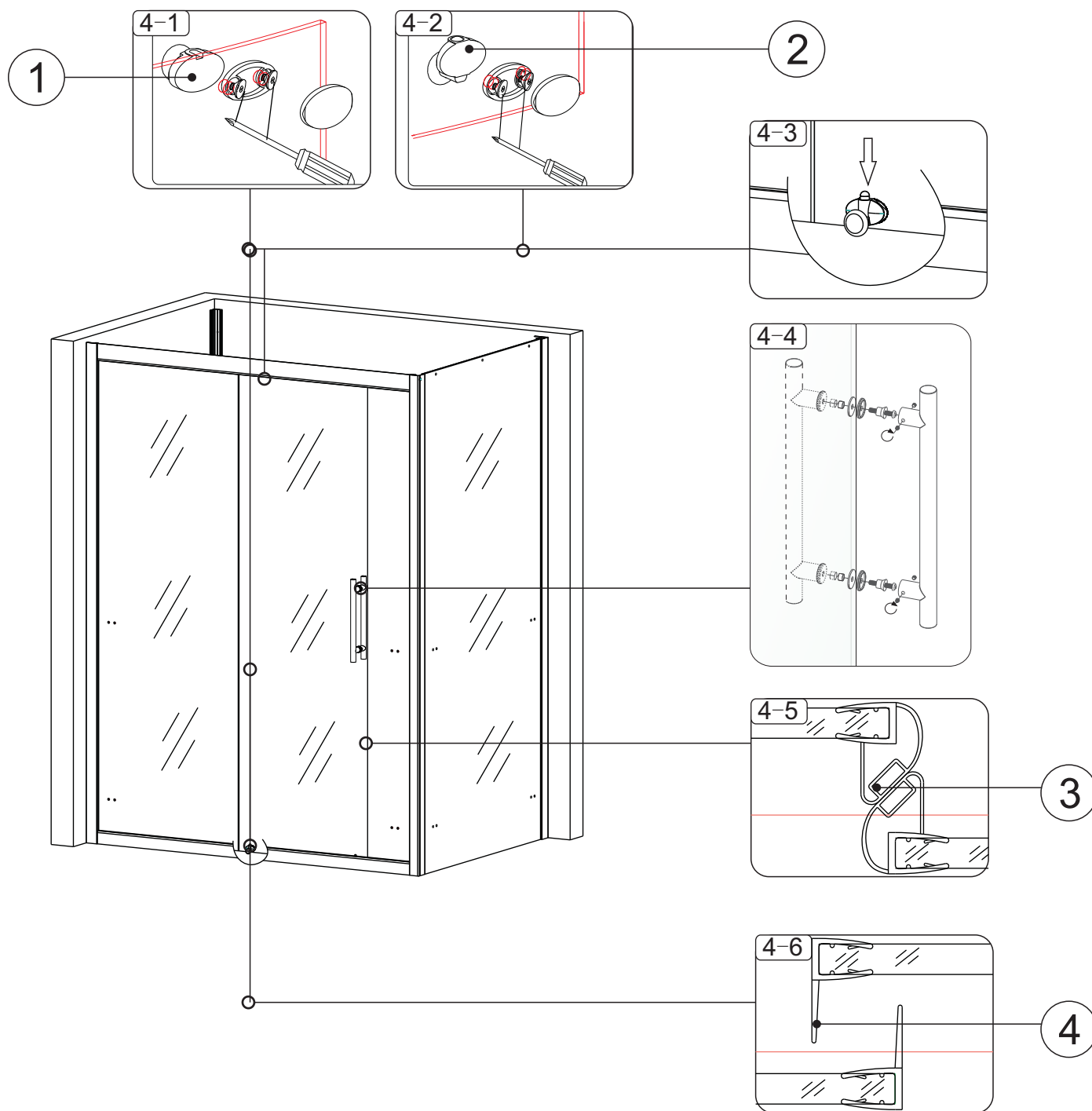
## Step 3



No.	Material	No.	Material
1	glass	3	Plastic seal LR001-2.3
2	ST4*12 screw		

# Installation drawing

## Step 4



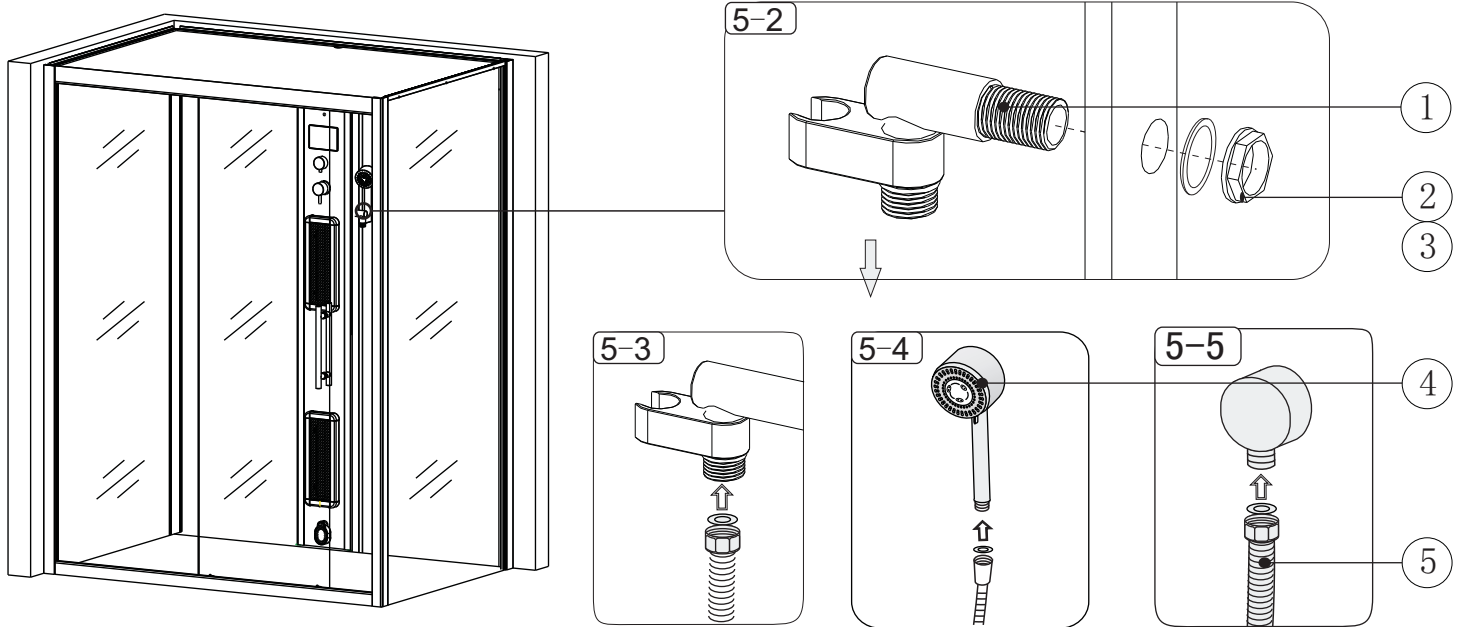
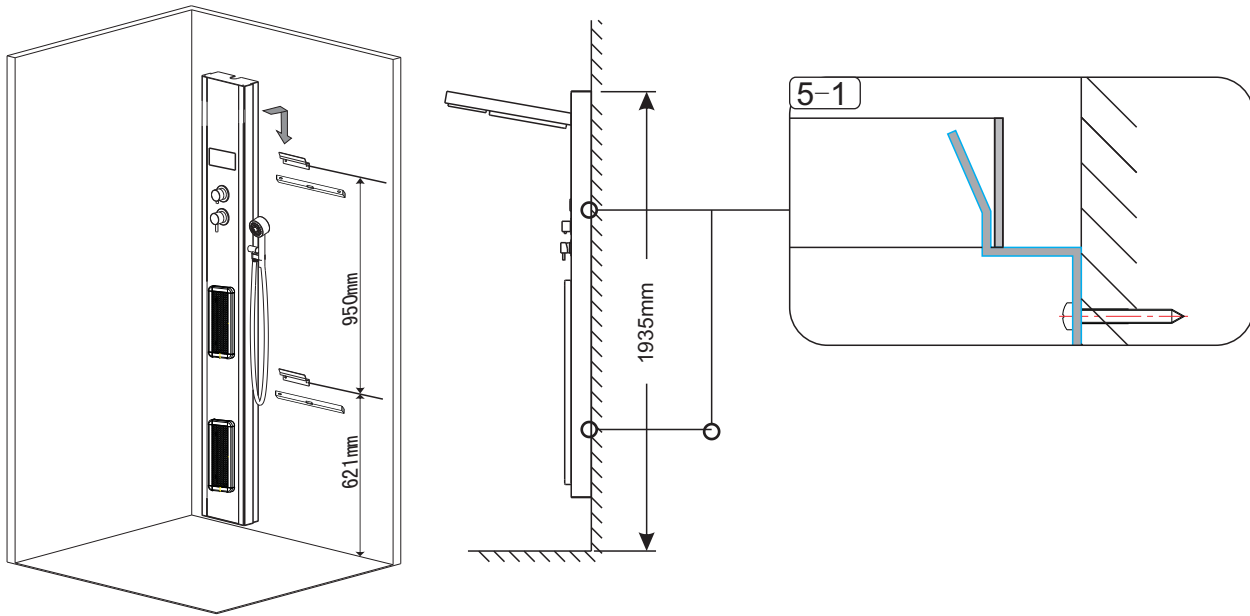
No.	Material
1	up Pulley
2	down Pulley

No.	Material
3	magnetic strip BC004-06MM
4	Plastic seal BF002-06-12



# Installation drawing

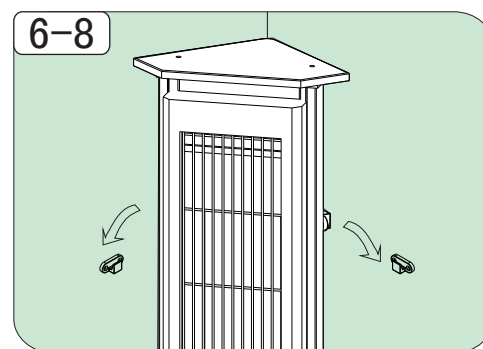
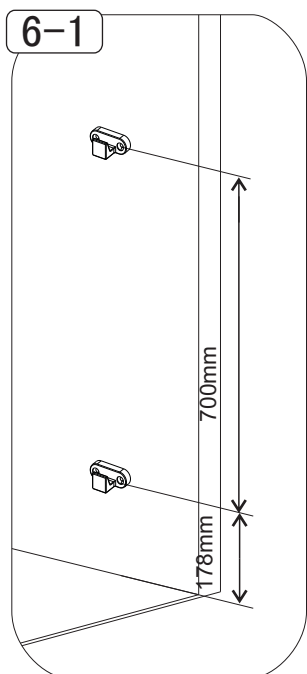
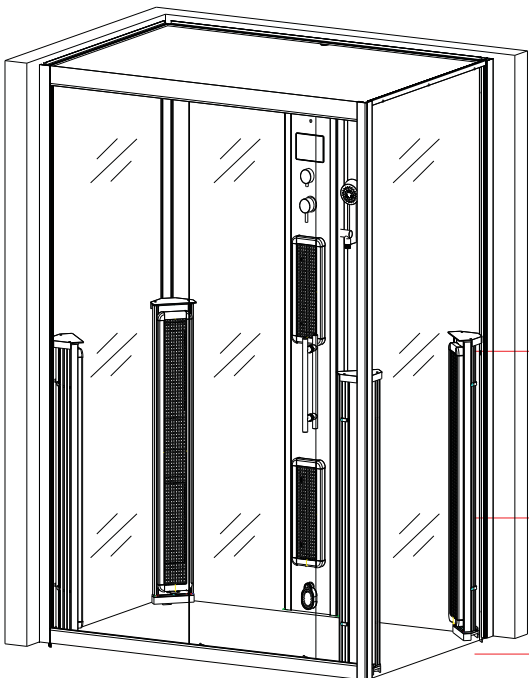
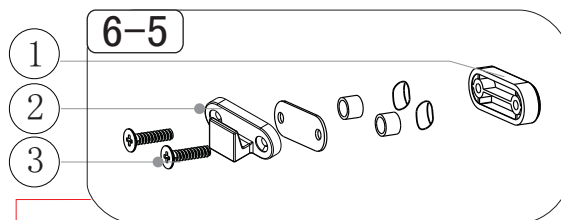
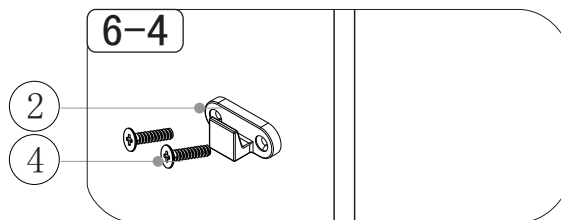
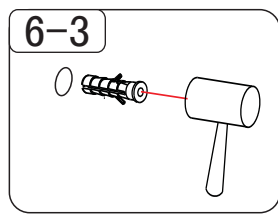
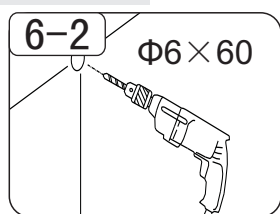
## Step 5



No.	Material	No.	Material
1	shower seat	4	Handle shower
2	nut	5	Shower hose
3	plastic washer		

# Installation drawing

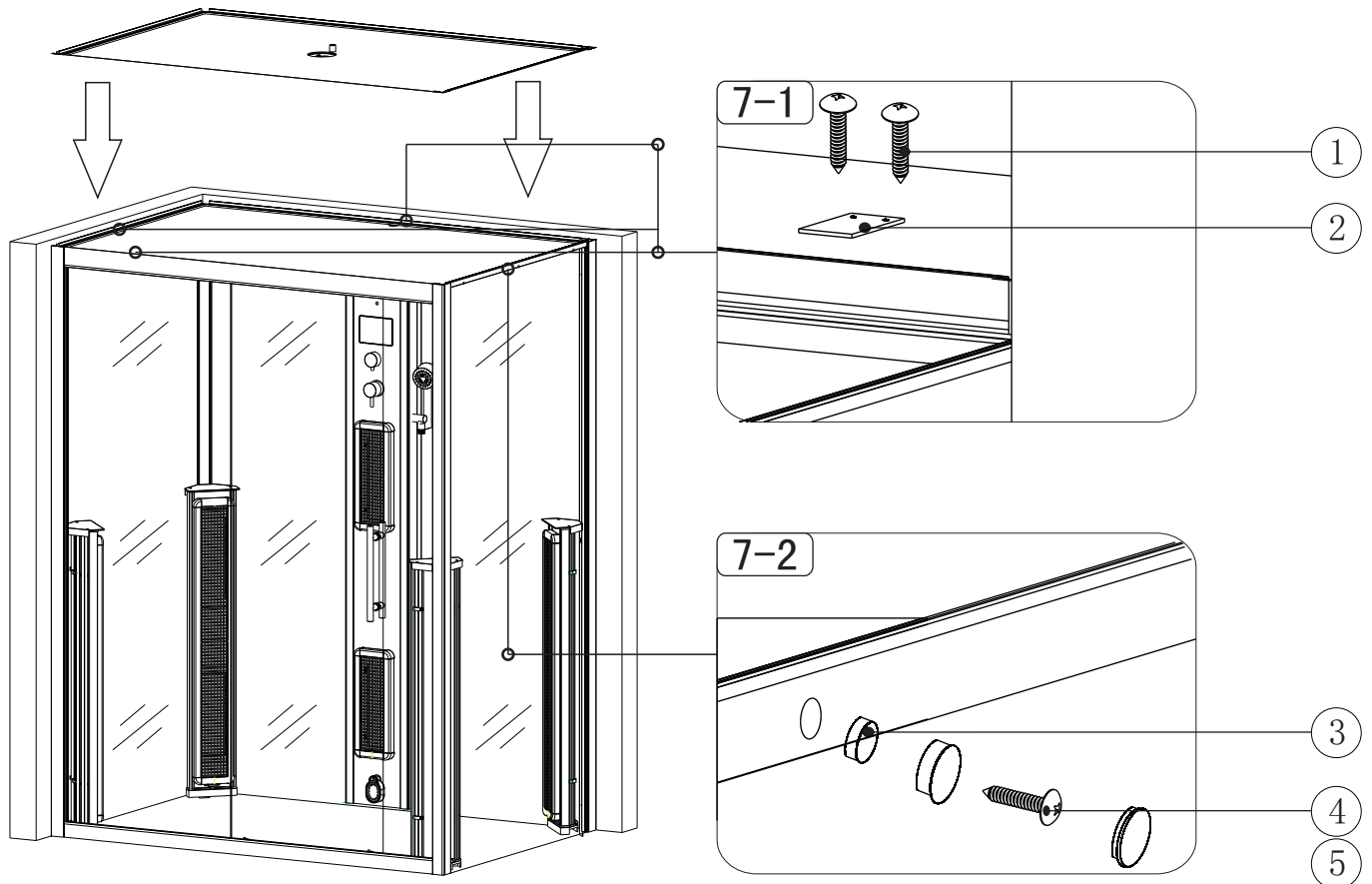
## Step 6



No.	Material	No.	Material
1	Glass hole	3	M4*16 screw
2	Hook	4	ST4*30 screw

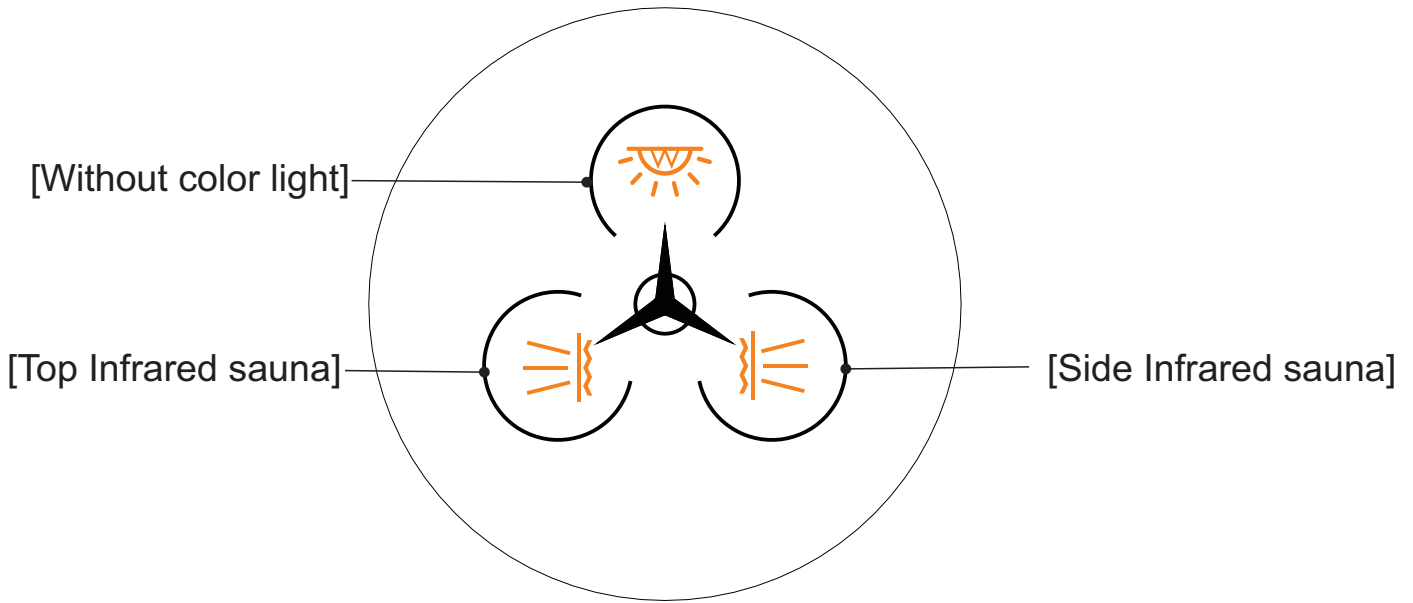
# Installation drawing

## Step 7



No.	Material	No.	Material
1	ST4*12 screw	3	Bushing for glass hole
2	Aluminum platen	4	ST4*12 screw
		5	Decorated screw cap

KY0711



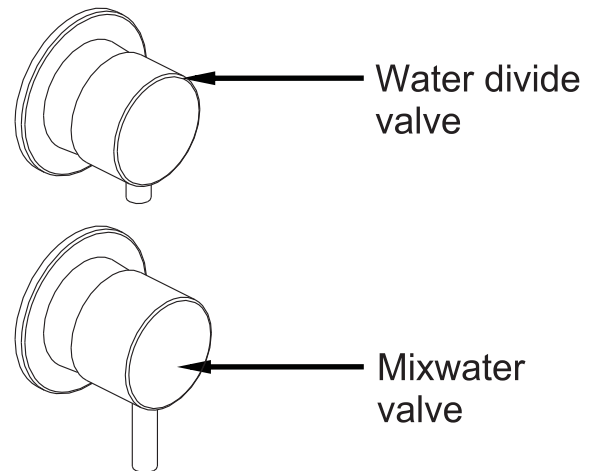
## 1. Operation of valve

A .Mix water valve function:

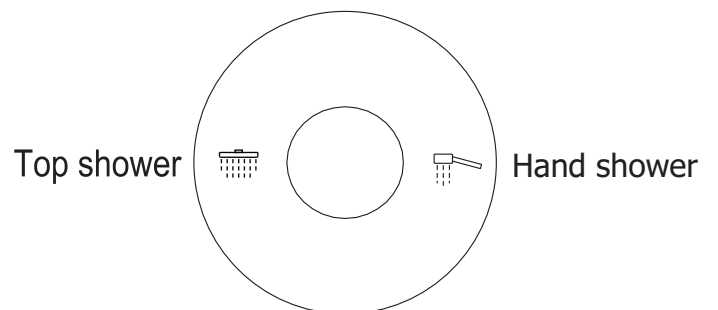
Turn to the "H " to connect the hot water ;  
Turn to the "C" to connect the cold water ;  
Control the place between "H" and "C" to adjust the temperature of the water ;

B. Water valve function:

Adjust the handle for the valve  
(look at picture 1) to the relative function shelves and take it up to connect the relative waterway (look at picture 2);



Picture 1



Picture 2

## Aftersales service

### 【Warning】

- 1.For safety,please don't change the electrical equipment.If any problem, please ask a professional and skillful person to repair it.
- 2.Do not touch the covers of the heater when the heating on or off within 10 minutes.
- 3.please do not open the shower function and infrared function at same time,and don't let a mass of water touch the heaters.
- 4.Pls don't use the product,If you apt to bleed,especial ly people who suffers heart disease,cardiovascular disease, mal ignant or with new wound.Other symptoms or patients,please use t by doctor`s permition.
- 5.Any child or person with disability must use the product with the company of a normal adult.
- 6.Please don't put any thing which are easy cause fire (eg.towel ) near heaters.
- 7.Be sure of power off when clean the cabin, replace parts,or remove operating faults Please turn off the power when cleaning the cabin,replacing accessory or damage parts.
- 8.The power socket switch must be grounded reliably.
- 9.Please take attention to rated voltage and power supply,if not match then can't be used .Otherwise,it will burn out the control ler.

### 【Remind】

- 1.In order to extend the l ife of the product,it must at least 30 seconds between turn on or off.
2. Accidental shut down,please re-start.
- 3.If any uncomfortable when using, please turn off the power.

### 【Maintenance】

- 1.Pls use general neutral liquid detergent to clean the product curface(Included bamboo wood,Composite board, plastic,aluminum,plated parts,spray pieces),but don't use strong alkal ine detergents and organic solvents(such as Alcohol, Thinner, Ammonia, Acetone etc.)
- 2.Never wipe gi lded or chrome-plated pieces with rough tool but soft cloth.
- 3 .General neutral liquid detergent and soft cloth can be used for the daily cleaning of the infrared&steam room. Do not use the detergent containing the acetone or ammonia spirit.

### 【Troubleshooting】

Problem	Reasons	Remedy
No Power	<ol style="list-style-type: none"> <li>1. Poor connection of power.</li> <li>2. Power failure of leakage switch.</li> <li>3. Fuse off.</li> </ol>	<ol style="list-style-type: none"> <li>1. Connect well the power socket.</li> <li>2. Reconnect the leakage switch.</li> <li>3. Replace fuse.</li> </ol>
No infrared	<ol style="list-style-type: none"> <li>1. Up to permanent temperature, temperature detector off.</li> <li>2. Heater supply plug not connect well.</li> <li>3. Damage of infrared tube/board.</li> </ol>	<ol style="list-style-type: none"> <li>1. Temperature off and automatically recover.</li> <li>2. Connect well the plug.</li> <li>3. Replace infrared tube/board.</li> </ol>
No steam	<ol style="list-style-type: none"> <li>1. No water in the steam generator.</li> <li>2. Temperature explorer is broken.</li> <li>3. The heater of the steam generator is broken.</li> </ol>	<ol style="list-style-type: none"> <li>1. Check water inlet electromagnetism valve.</li> <li>2. Change the temperature protective explorer.</li> <li>3. Change the heater .</li> </ol>
No sound	<ol style="list-style-type: none"> <li>1. Low volume setted.</li> <li>2. Speaker supply cord is loose.</li> <li>3. Damage of speaker.</li> </ol>	<ol style="list-style-type: none"> <li>1. Adjust volume.</li> <li>2. Connect well the supply cord.</li> <li>3. Replace speaker.</li> </ol>
No color light	<ol style="list-style-type: none"> <li>1. Turn off.</li> <li>2. Multicolor lamp supply cord is loose.</li> <li>3. Damage of multicolor lamp.</li> </ol>	<ol style="list-style-type: none"> <li>1. Turn on color light.</li> <li>2. Connect well the supply cord.</li> <li>3. Replace the multicolor lamp.</li> </ol>
No fan	<ol style="list-style-type: none"> <li>1. Turn off or automatic.</li> <li>2. Fan supply cord is loose.</li> <li>3. Damage of fan.</li> </ol>	<ol style="list-style-type: none"> <li>1. Turn on the fan.</li> <li>2. Connect well the supply cord.</li> <li>3. Replace the fan.</li> </ol>
Tray seeper	Block the drainer.	Clear drainer .



