

# PRODUCT MANUAL

---

Model:

- K011
- K012
- K013
- K015
- K016
- K017



PICTURES:



SIZE:

- K011:1000\*1000\*2150mm
- K012:1000\*1000\*2150mm
- K013:1000\*1000\*2150mm
- K015:1450\*900\*2150mm
- K016:1450\*900\*2150mm
- K017:1000\*1000\*2150mm

# CONTENT

Dear Users,

Thanks for purchasing our products. In order to use these products safely and effectively, please read this manual carefully before use.

We reserve the right to improve our products.

This is a current manual, with standard as

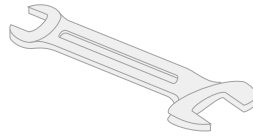


## Content

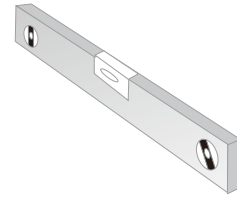
<b>Content</b> .....	01
Preparation .....	02
Part list .....	02
Circuit drawing .....	03
Waterway drawing .....	05
Water&electricity install drawing .....	06
Parts drawing .....	07~11
Installation drawing .....	12~16
Operation instruction .....	17~20
<b>Aftersales service</b>	
Warning .....	21
Usage Notice .....	21
Reminder .....	22
Maintenance .....	22
Trouble Shooting .....	23

## PREPARATION

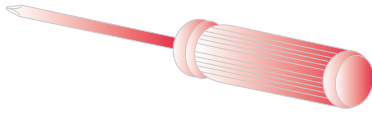
### Tool



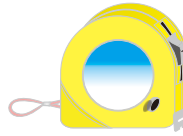
17# Spanner



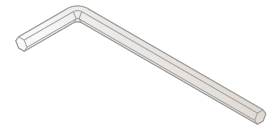
Spirit level



Screwdriver  
Suggest using power screwdriver



3m  
Tape Measure



4/2.5mm  
Hexagon Wrench

1. Check the Qty of components according to packinglist or parts list.
  2. Check the Qty of materials according to parts list.
  3. Check if there is damage on the surface of product components or not.
  4. A grounded outlet needed as recommend to use at least 16A with a fuse of the leakage protection switch.
  5. A professional personnel or electricians is needed when installing electrical components.
- If can not satisfy above conditions, please stop installing immediately and contact the dealer.

### Model Size:

K011/K012/K013/K017 1000×1000×2150mm

K015/K0151450X900X2150mm

### Technology parameters

Rated Voltage: AC230V

Rated Power: 3020W

Rated Current: 13.2A

Rated frequency : 50~60HZ

Insulated Resistance: >20MΩ

Waterproof grade: IPX4

Safety grade: I

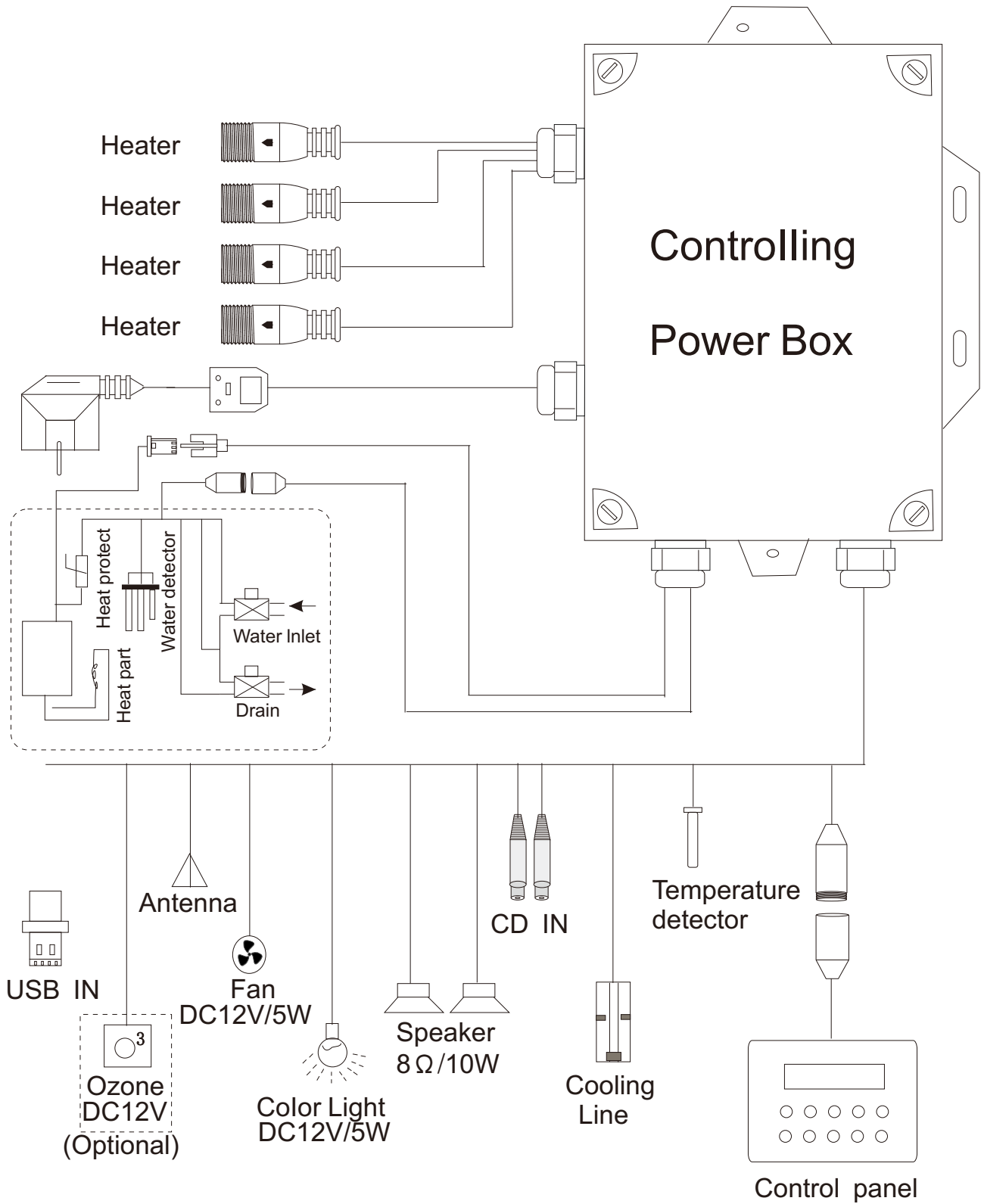
### Load parameter

Fan: DC12V/5W

Color Light: DC12V/5W

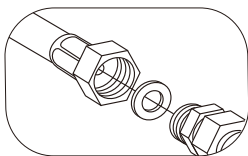
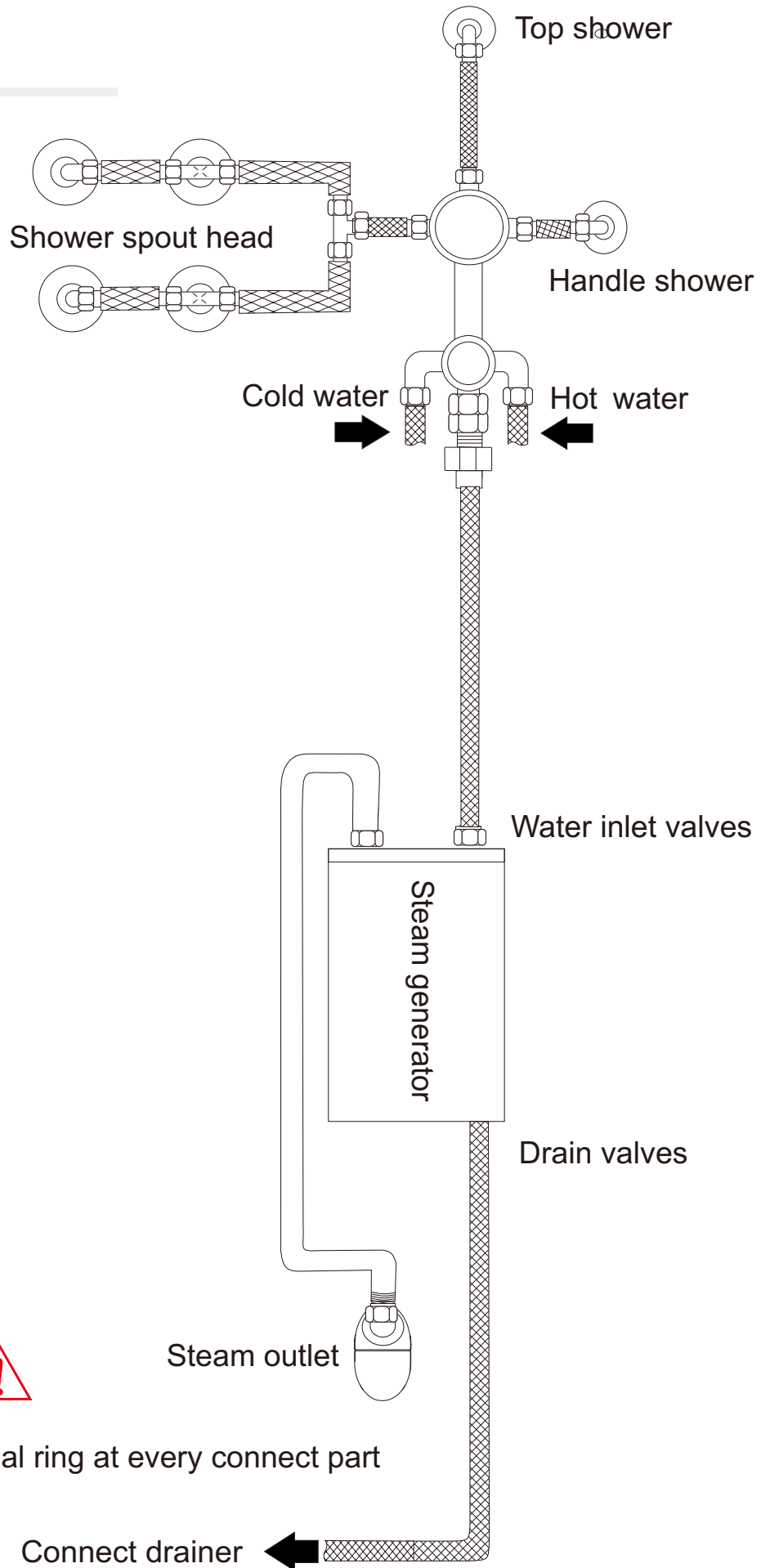
Speaker: 8Ω/10W

# Circuit drawing



# Waterway drawing

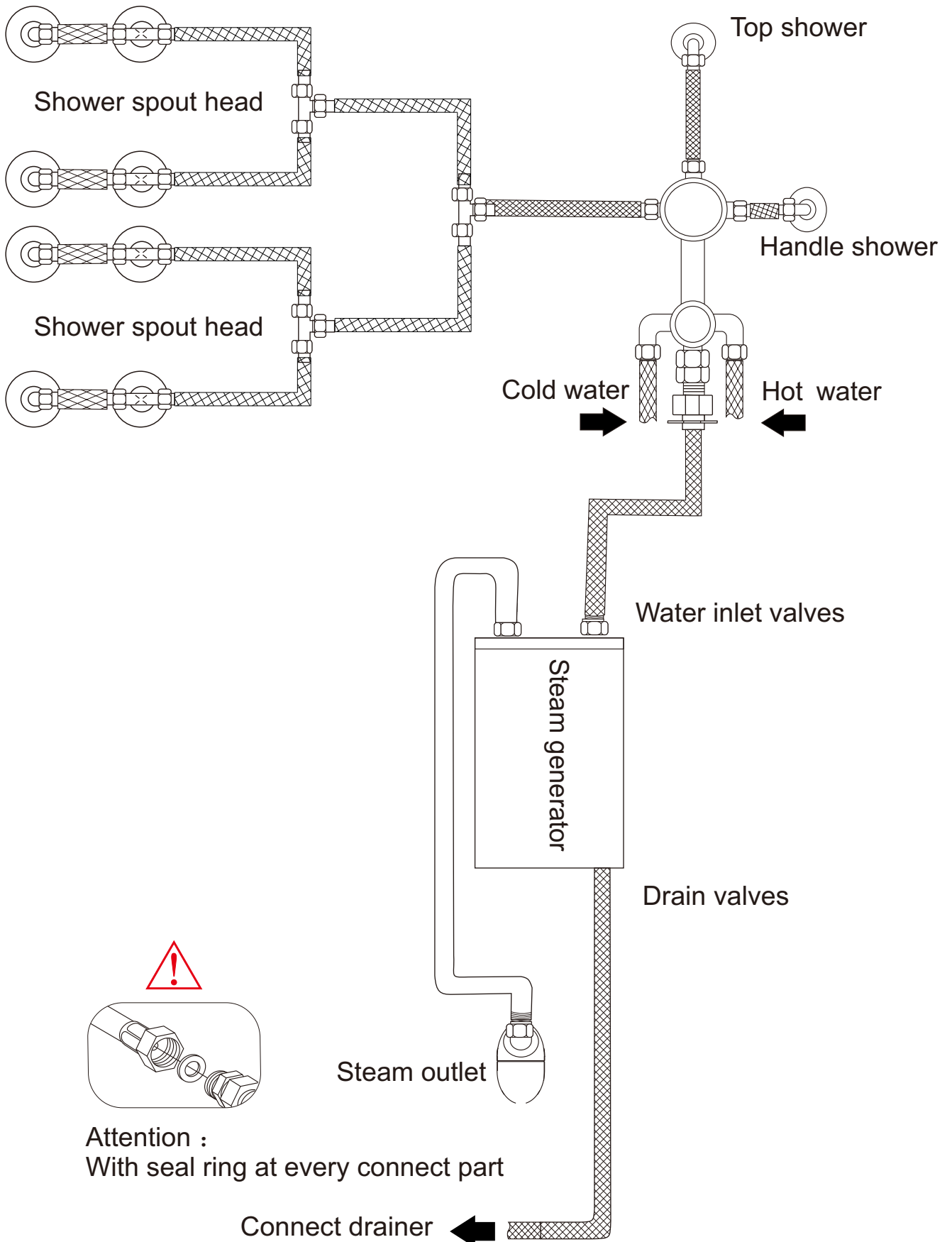
K011/K012/K013/K017



Attention : With seal ring at every connect part

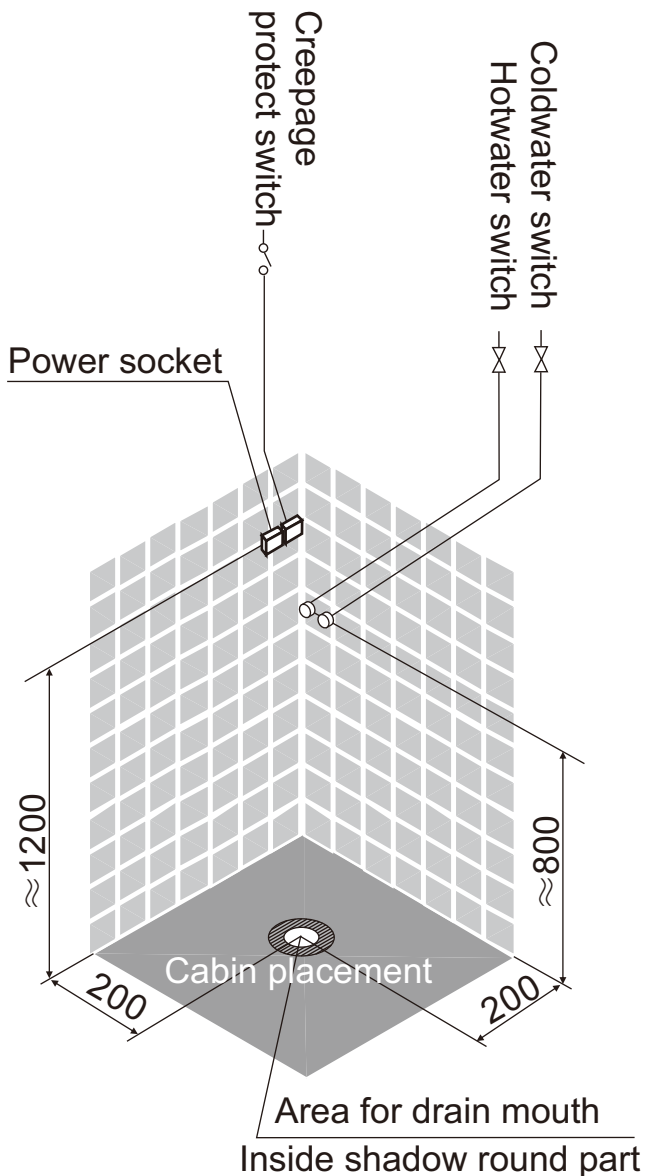
# Waterway drawing

K015/K016

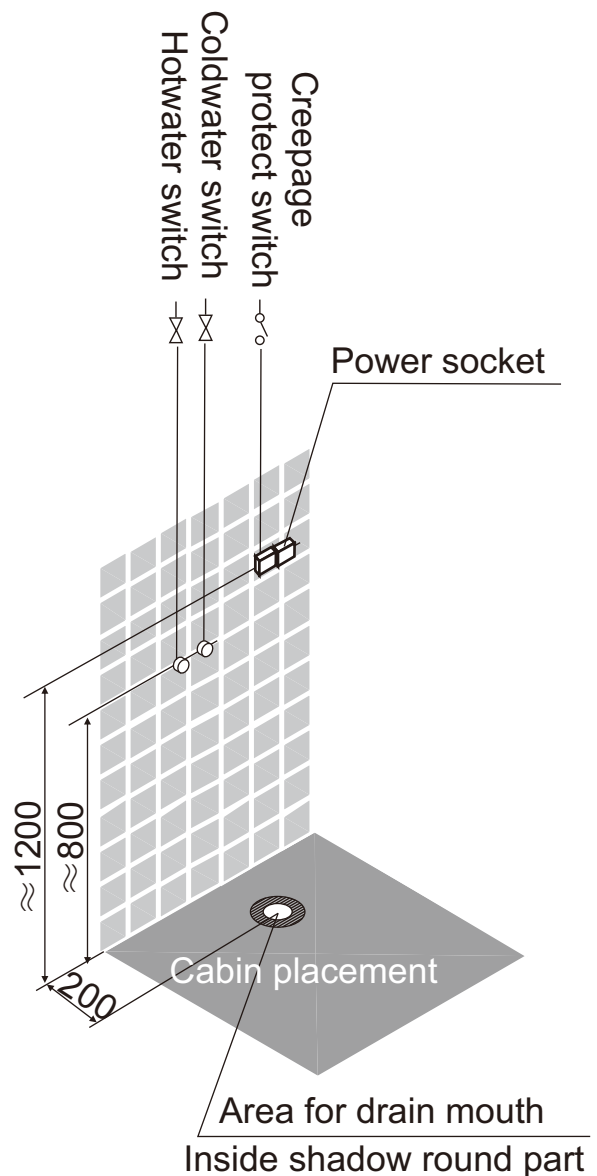


# Water&electricity install drawing

K011/K012/K013/K017



K015/K016



Hot water: G1/2 galvanize zinc pipe, height 800mm;

Cold water : G1/2 galvanize zinc pipe, height :800mm;

Power: 230V/50Hz single phase three line system, above 16A load capability, 1200mm high from earth;

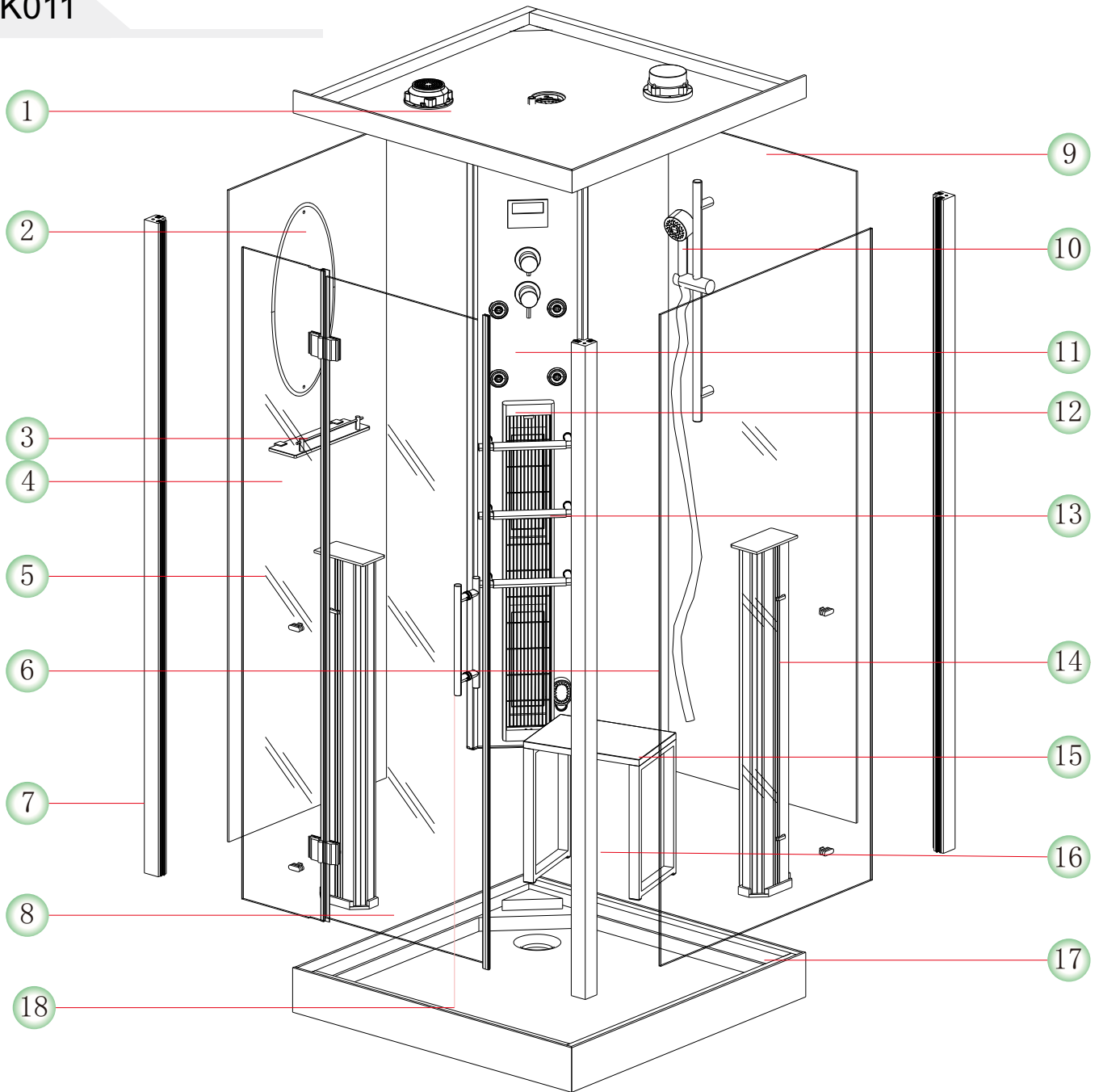
Sinkhole: The diameter of the sinkhole underground should be  $\Phi 60$  .

Attention:

1. When turn on the steam, please be sure that there`s enough cold water, otherwise, the steam generator will be damaged;
2. Power and water resource should be controled by divide switch, switch must be placed in the convenient place;
3. After enjoying your shower, the power and water resource must be turn off.

# Parts drawing

K011



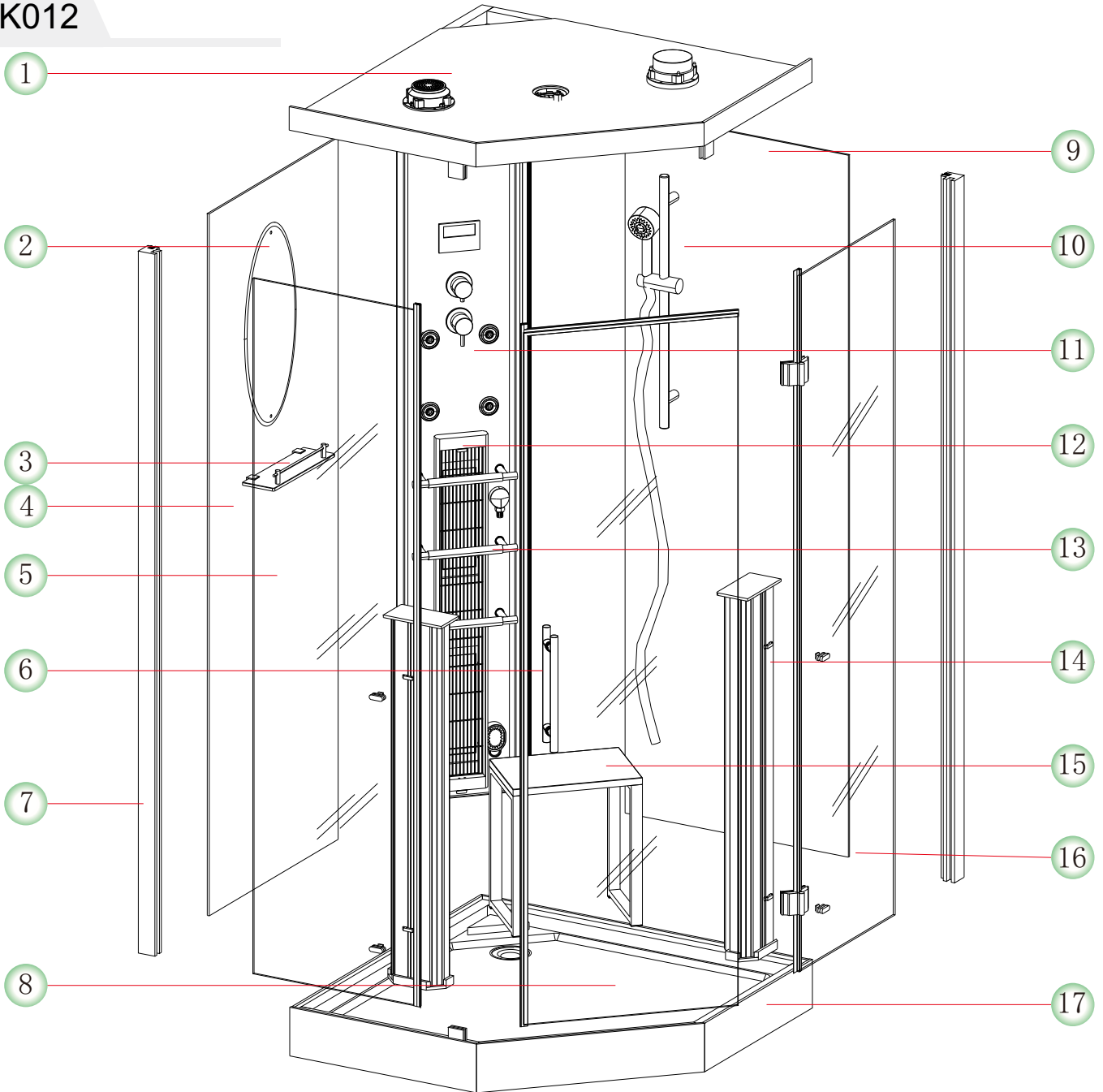
No.	Parts name	Qty
1	Top	1
2	Mirror	1
3	Shelf for shampoo	1
4	Left side fix glass	1
5	Front left fix glass	1
6	Front right fix glass	1
7	Side column	2
8	Glass door	1
9	Right side fix glass	1

No.	Parts name	Qty
10	Handle shower	1
11	Back column	1
12	Aluminium alloy guardrail	3
13	Backrest guardrail	3
14	Heater group	2
15	Chair	1
16	Front Side column	1
17	Tray	1
18	Handle	1



# Parts drawing

K012

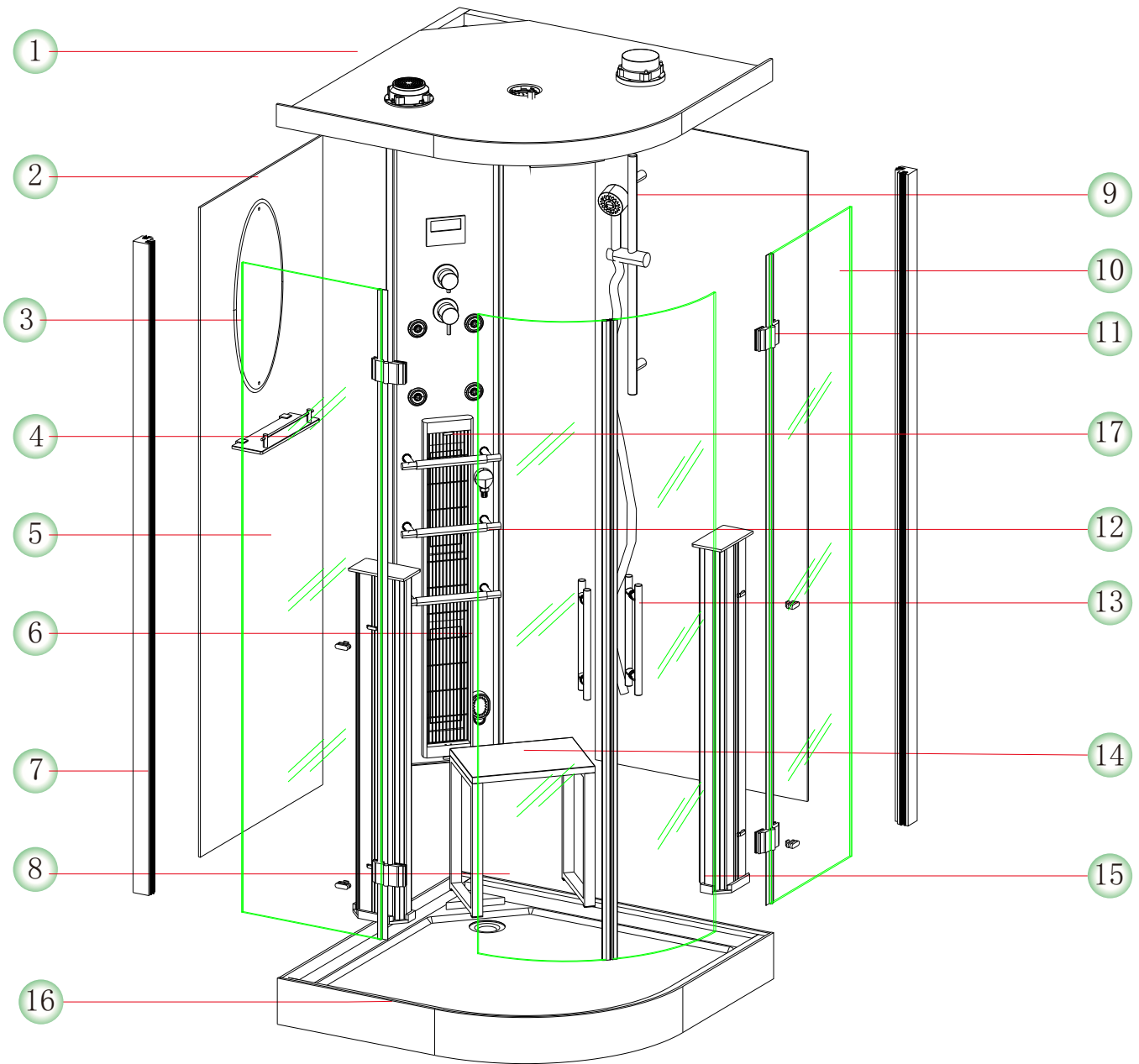


No.	Parts name	Qty
1	Top	1
2	Mirror	1
3	Shelf for shampoo	1
4	Left side fix glass	1
5	Front left fix glass	1
6	Handle	1
7	Side column	2
8	Glass door	1
9	Right side fix glass	1

No.	Parts name	Qty
10	Handle shower	1
11	Back column	1
12	Aluminium alloy guardrail	3
13	Backrest guardrail	3
14	Heater group	2
15	Chair	1
16	Front right fix glass	1
17	Tray	1

# Parts drawing

K013

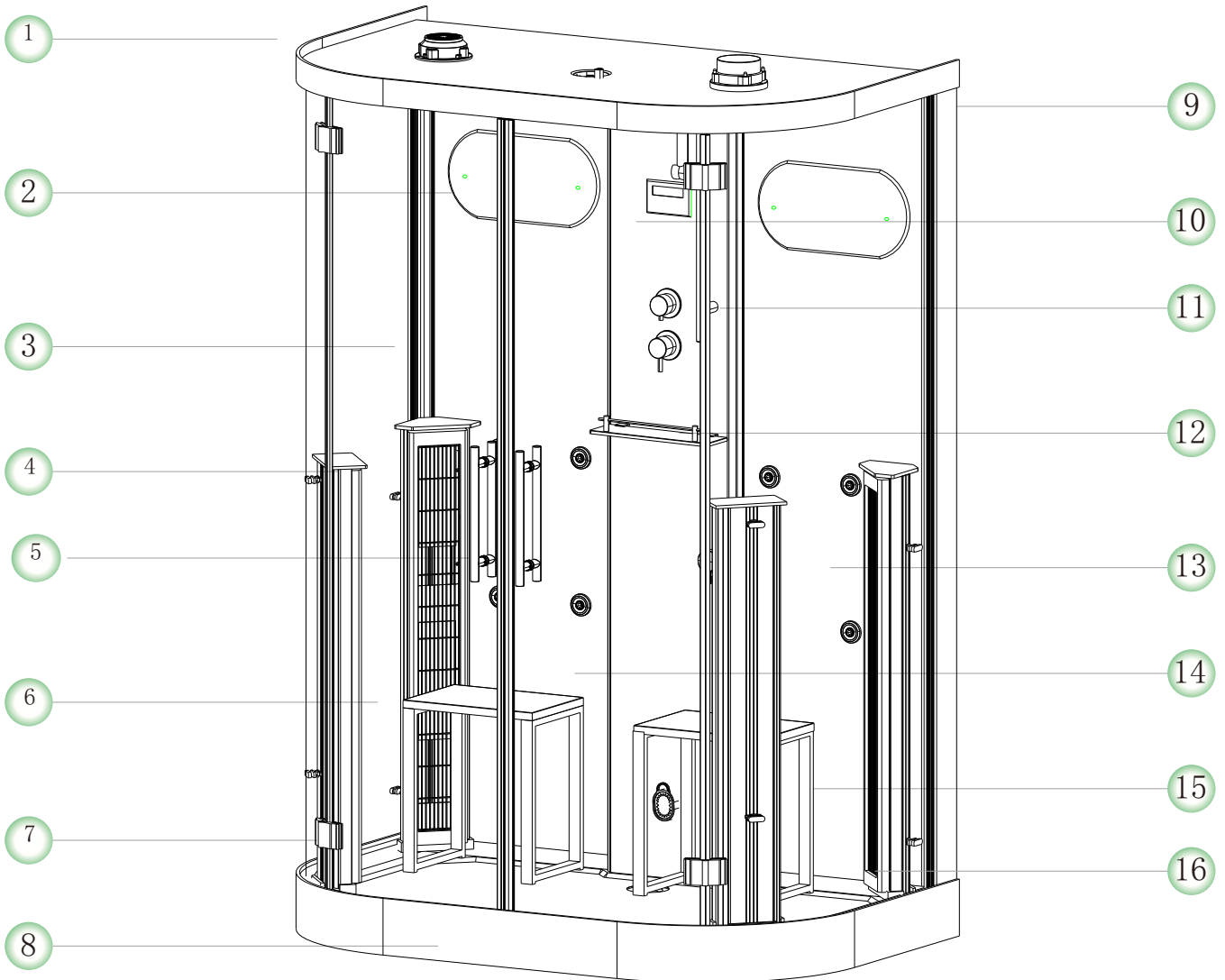


No.	Parts name	Qty
1	Top	1
2	Left side fix glass	1
3	Mirror	1
4	Shelf for shampoo	1
5	Front fix glass	2
6	Back column	1
7	Side column	2
8	Class door	2
9	Handle shower	1

No.	Parts name	Qty
10	Right side fix glass	1
11	Hinge	4
12	Aluminium alloy guardrail	3
13	Handle	2
14	Chair	1
15	Heater group	2
16	Tray	1
17	Backrest guardrail	3

# Parts drawing

K015

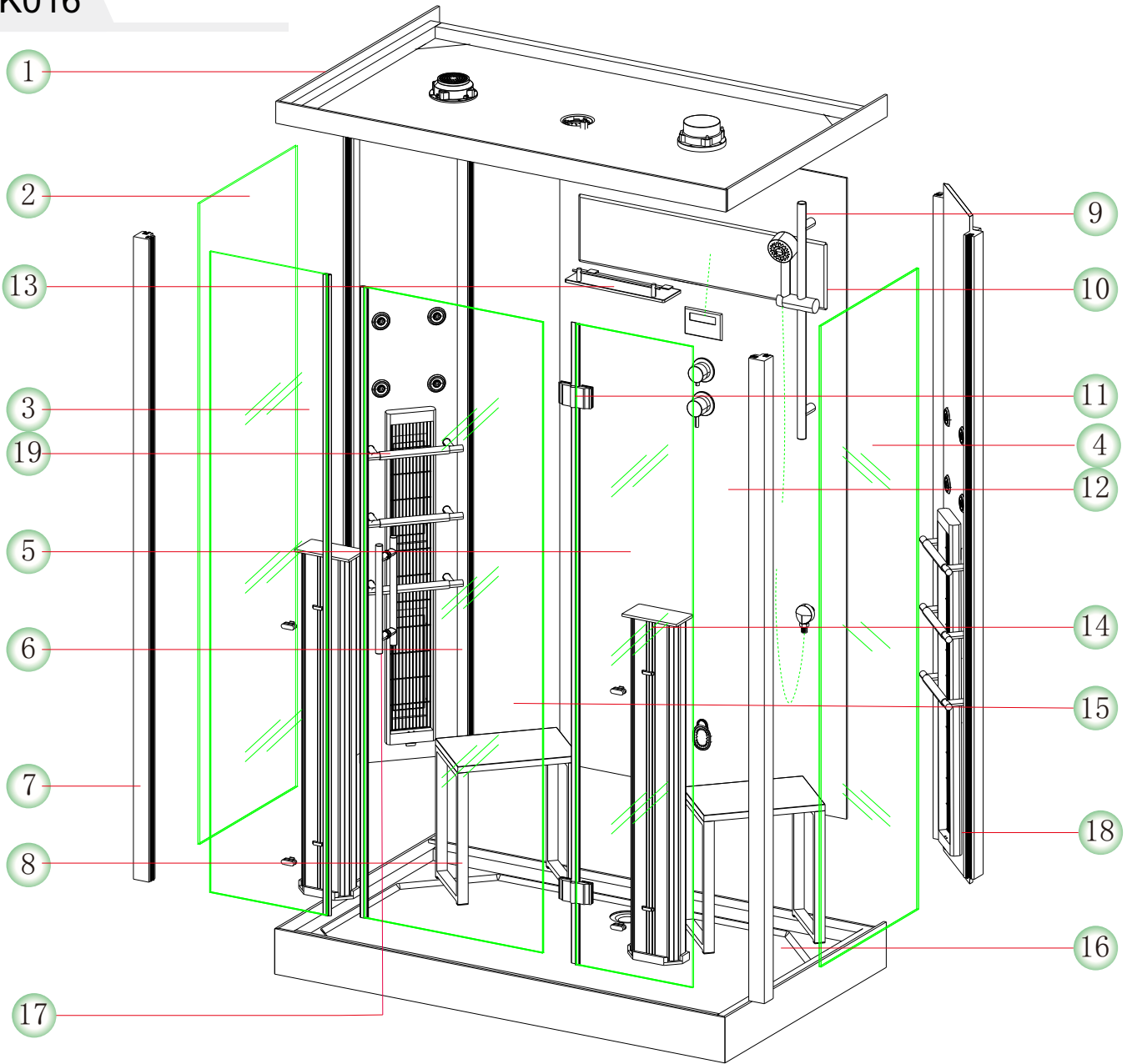


No.	Parts name	Qty
1	Top	1
2	Mirror	2
3	Front fix glass	2
4	Heater group	4
5	Handle	2
6	Glass door	2
7	hinge	4
8	Tray	1

No.	Parts name	Qty
9	Side column	2
10	Back column	1
11	Handle shower	1
12	Shelf for shampoo	1
13	Right side fix glass	1
14	Left side fix glass	1
15	Chair	2
16	Aluminium alloy guardrail	4

# Parts drawing

K016

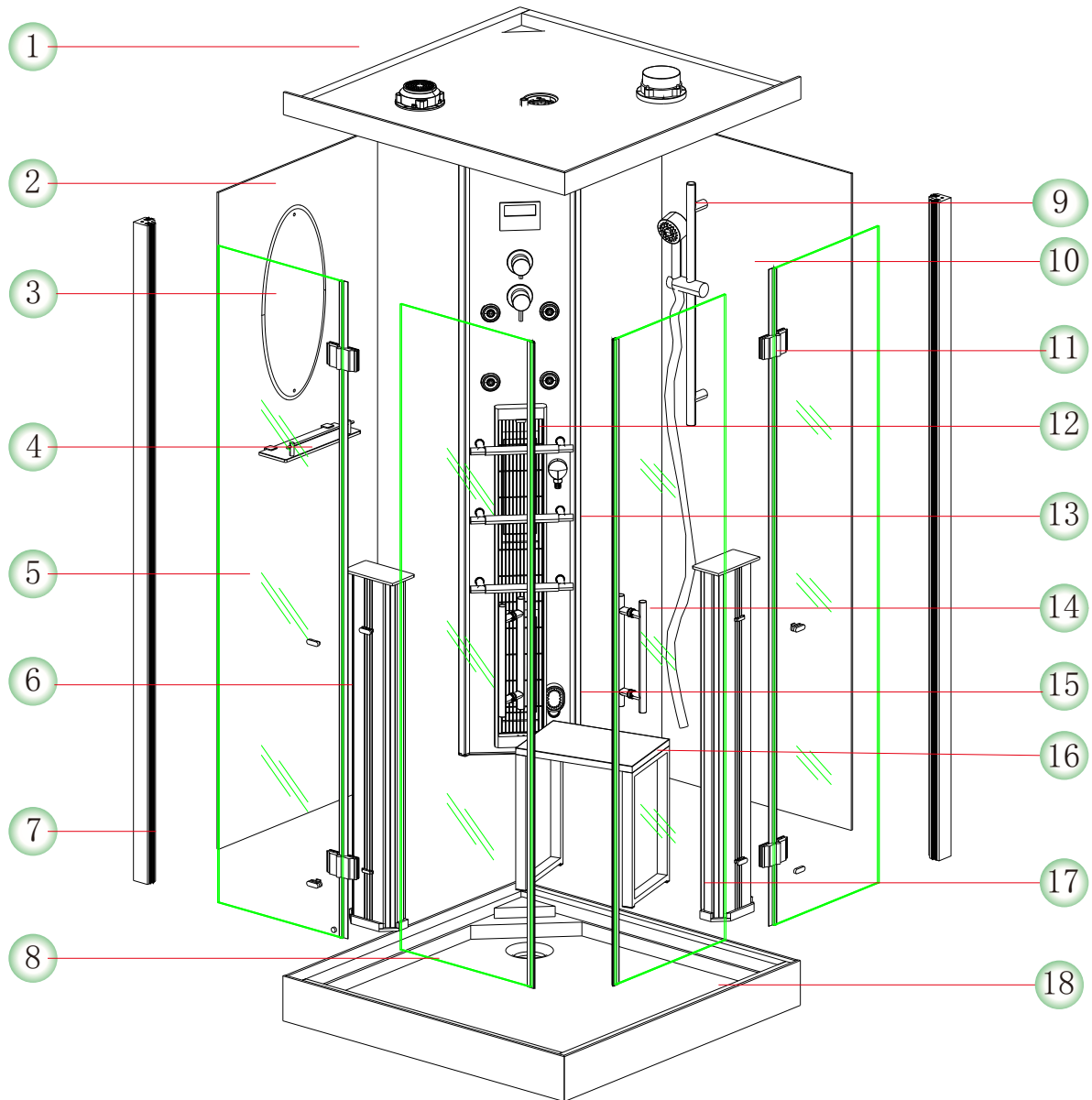


No.	Parts name	Qty
1	Top	1
2	Left side fix glass	1
3	Left Front fix glass	1
4	Right side fix glass	1
5	Right Front fix glass	1
6	Back column	2
7	Side column	2
8	Chair	2
9	Handle shower	1
10	Mirror	1

No.	Parts name	Qty
11	hinge	2
12	Back Glass	1
13	Shelf for shampoo	1
14	Heater group	2
15	class door	1
16	Tray	1
17	Handle	1
18	Aluminium alloy guardrail	4
19	Backrest guardrail	6

# Parts drawing

K017

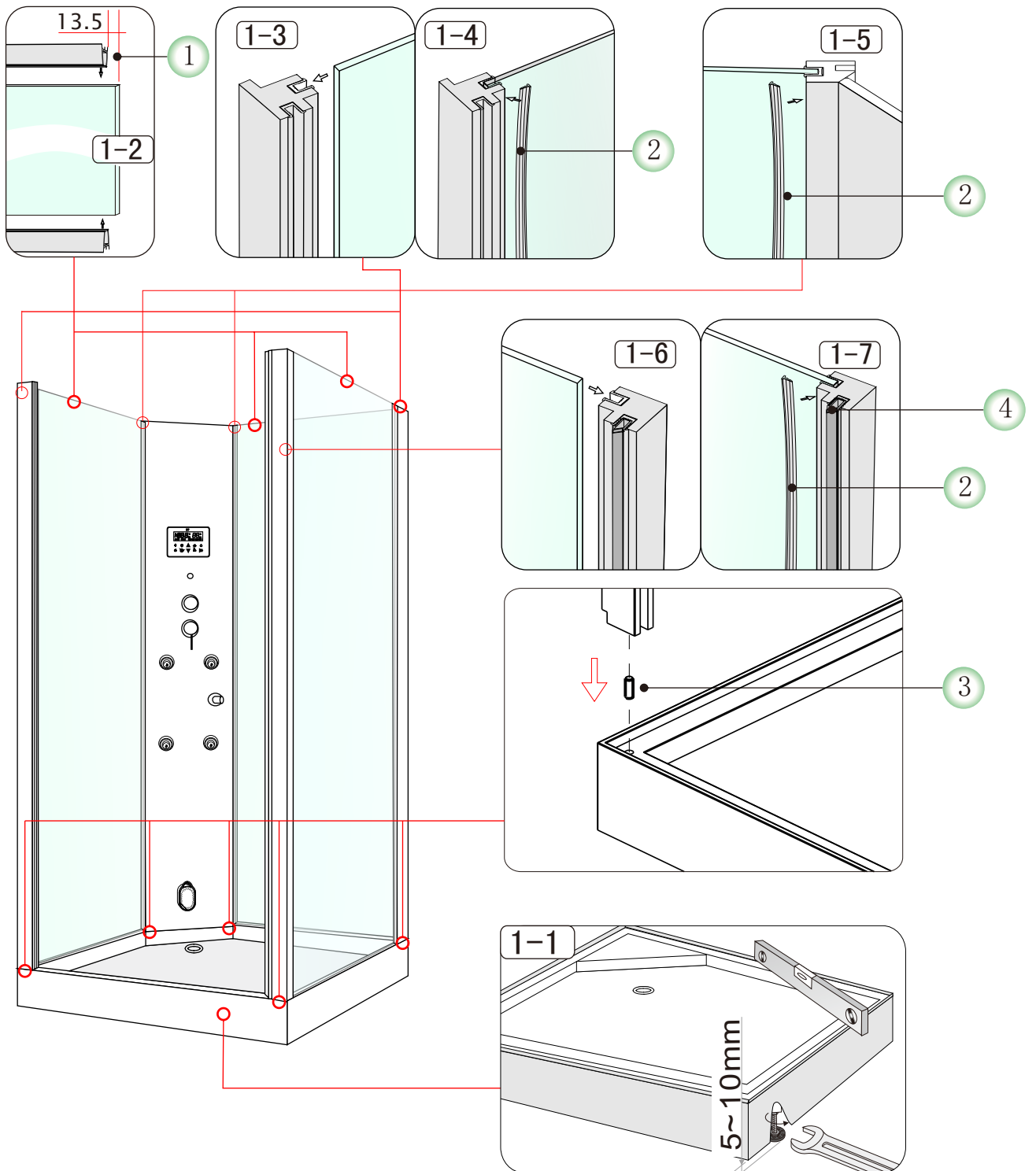


No.	Parts name	Qty
1	Top	1
2	Left side fix glass	1
3	Mirror	1
4	Shelf for shampoo	1
5	Front fix glass	2
6	Back Heater group	1
7	Side column	2
8	class door	2
9	Handle shower	1

No.	Parts name	Qty
10	right side fix glass	1
11	hinge	4
12	Aluminium alloy guardrail	3
13	Backrest guardrail	3
14	Handle	2
15	Back column	1
16	Chair	1
17	Heater group	2
18	Tray	1

# Installation drawing

## Step 1

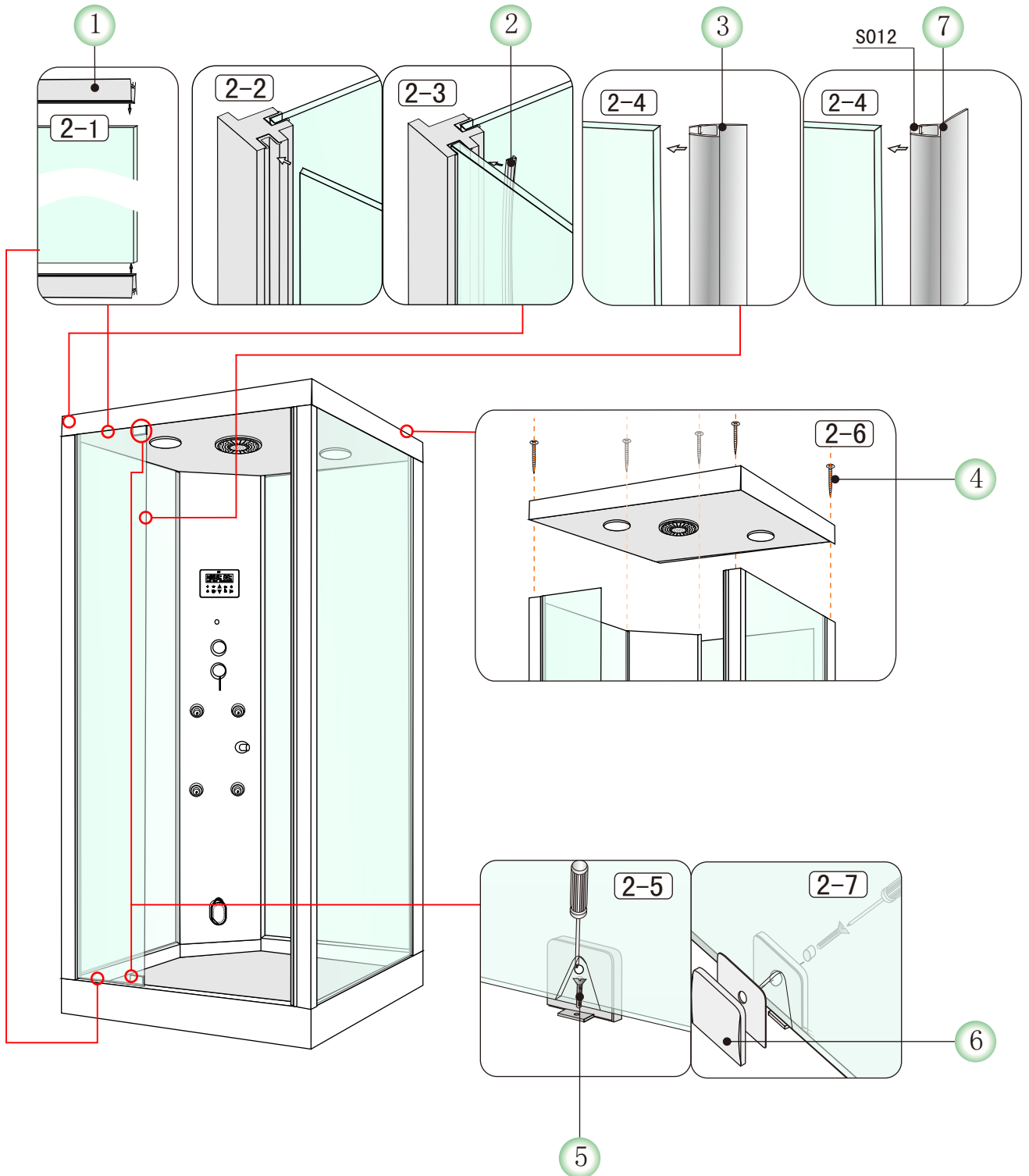


No.	Parts name
1	Plastic seal BF005-06
2	Plastic seal LR001-3.4

No.	Parts name
3	Wooden tenon
4	Magnetism seal LC001-9

# Installation drawing

## Step 2

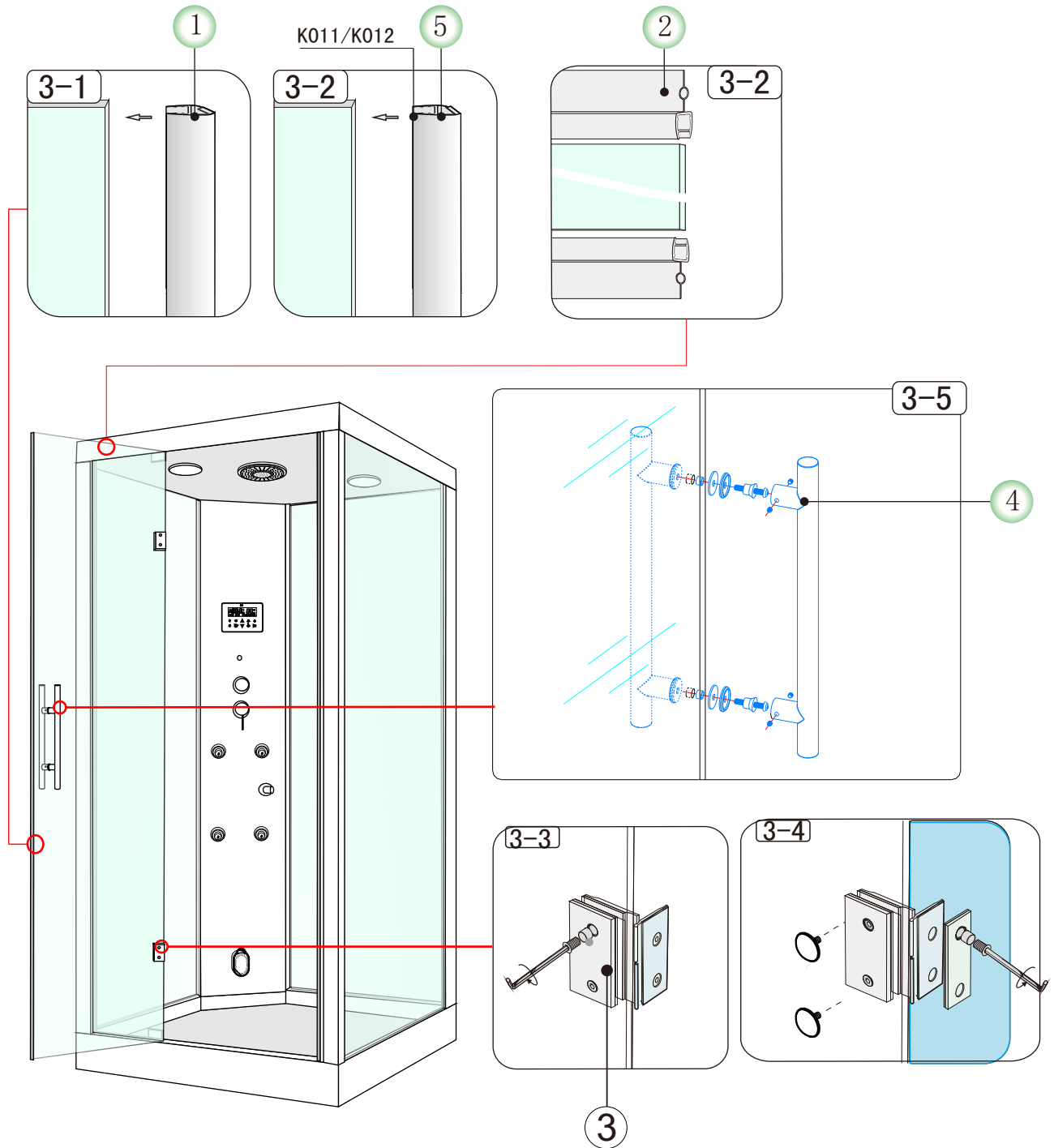


No.	Parts name
1	Plastic seal BF005-06
2	Plastic seal LR001-3.4
3	Plastic seal BF003-06-12.3
7	Plastic seal BF011-06-8.5

No.	Parts name
4	ST5*60 screw
5	ST4*30 screw
6	Glass nip

# Installation drawing

## Step 3



Pay attention:



When you fix the movable glass door, please make sure the direction of the glass is up.

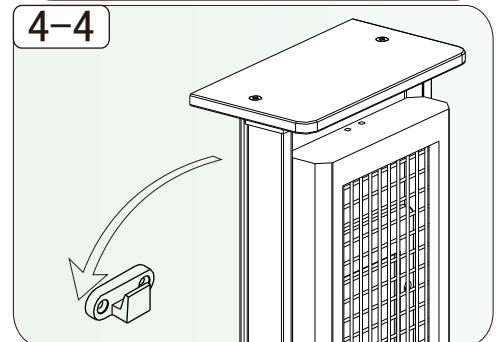
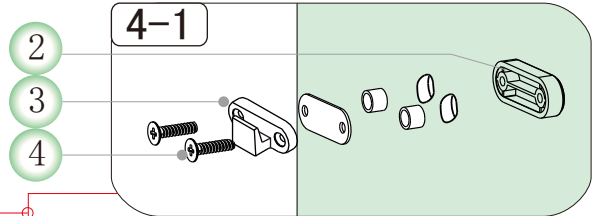
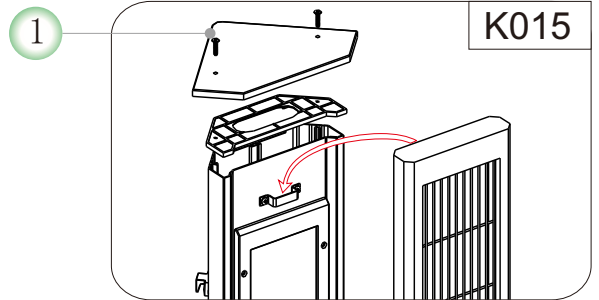
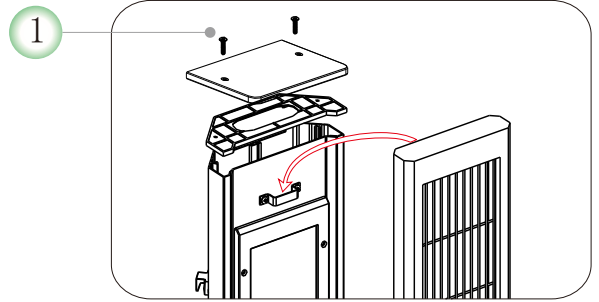
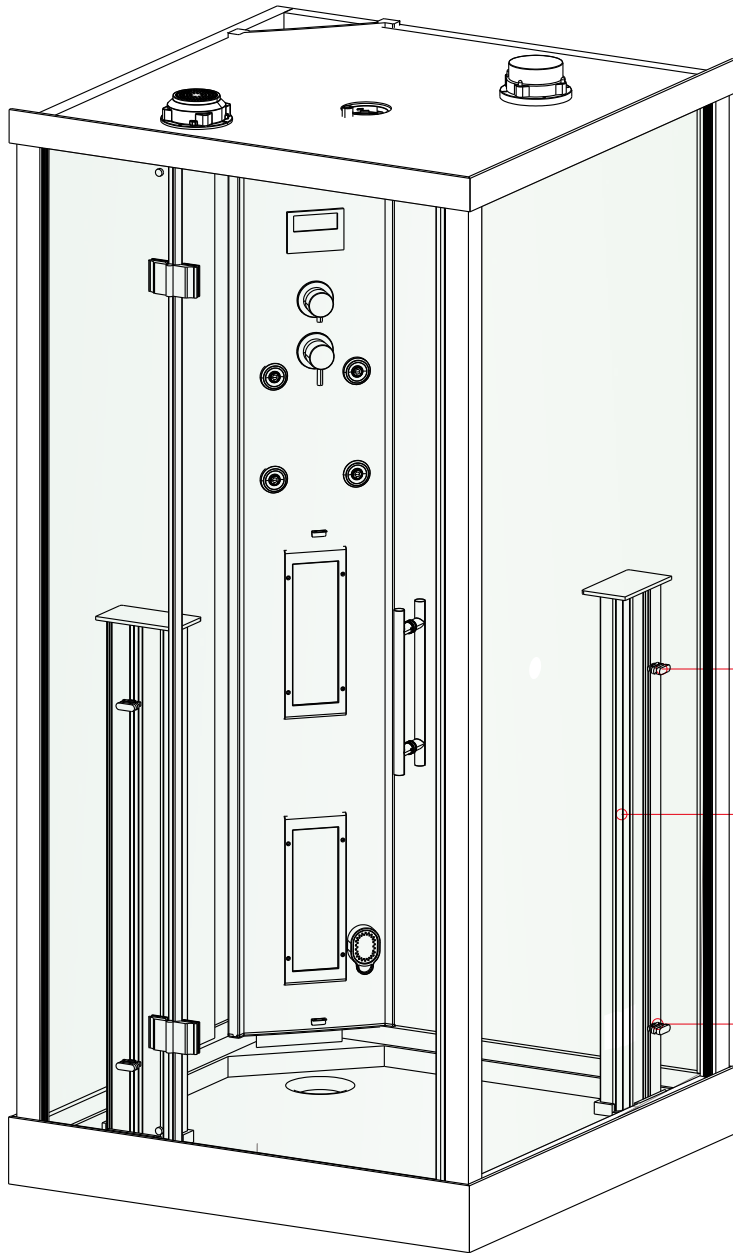
No.	Parts name
1	Magnetism seal BC001-06
2	Plastic seal BF010-06-18.8
5	Magnetism seal BC002-06

No.	Parts name
3	Hinge
4	Handle



# Installation drawing

Step 4

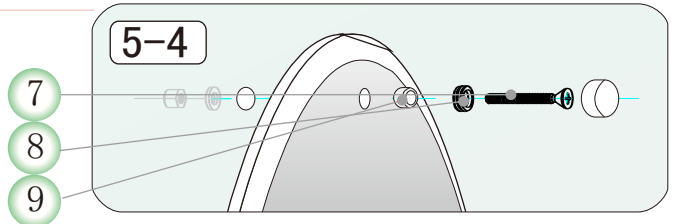
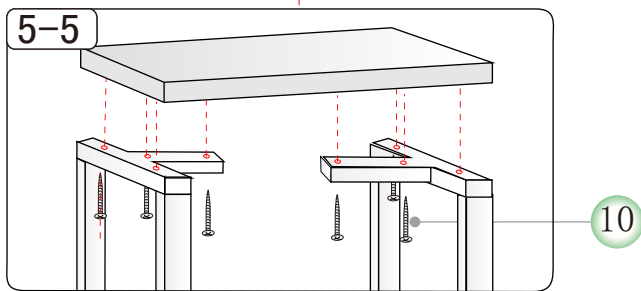
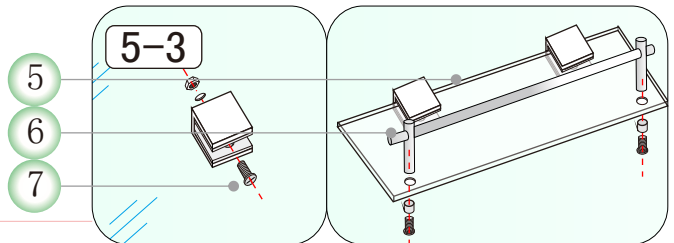
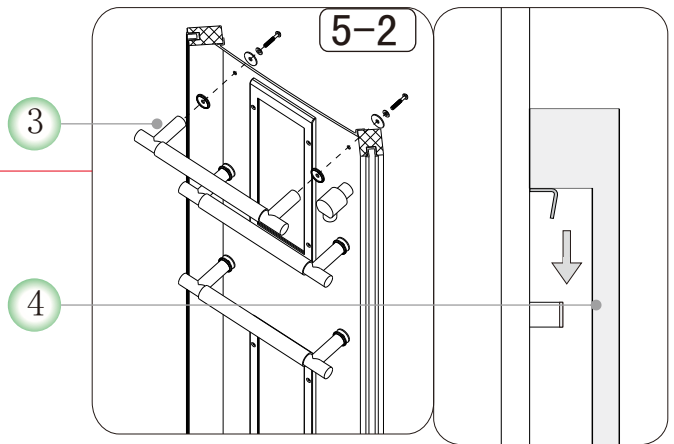
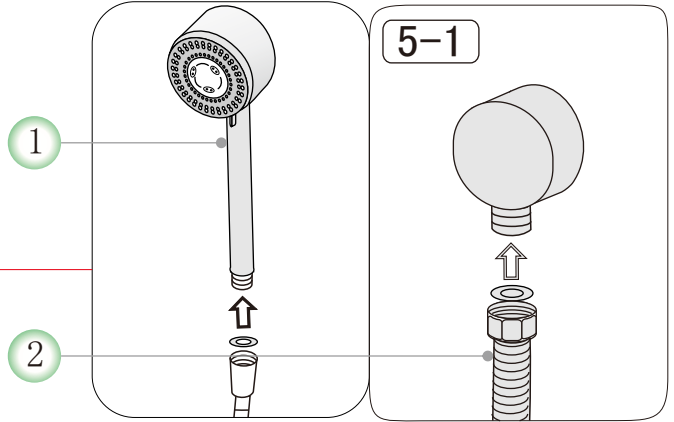
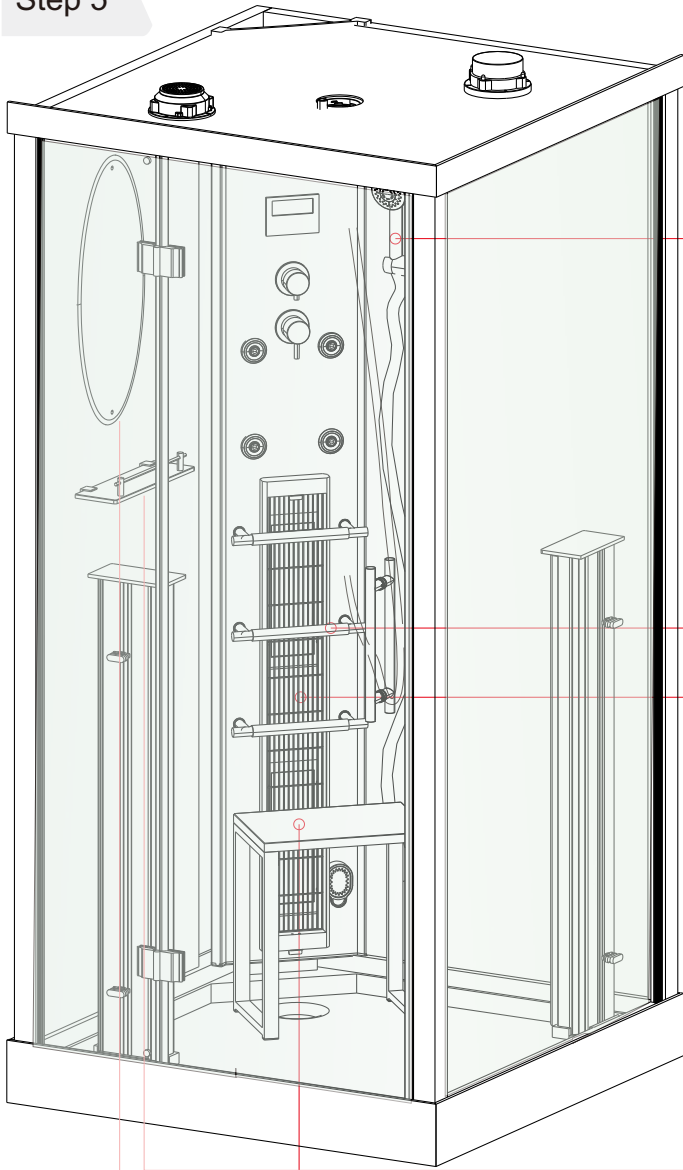


No.	Parts name
1	ST4*12 screw
2	Glass hole

No.	Parts name
3	Hook
4	M4*16 screw

# Installation drawing

## Step 5

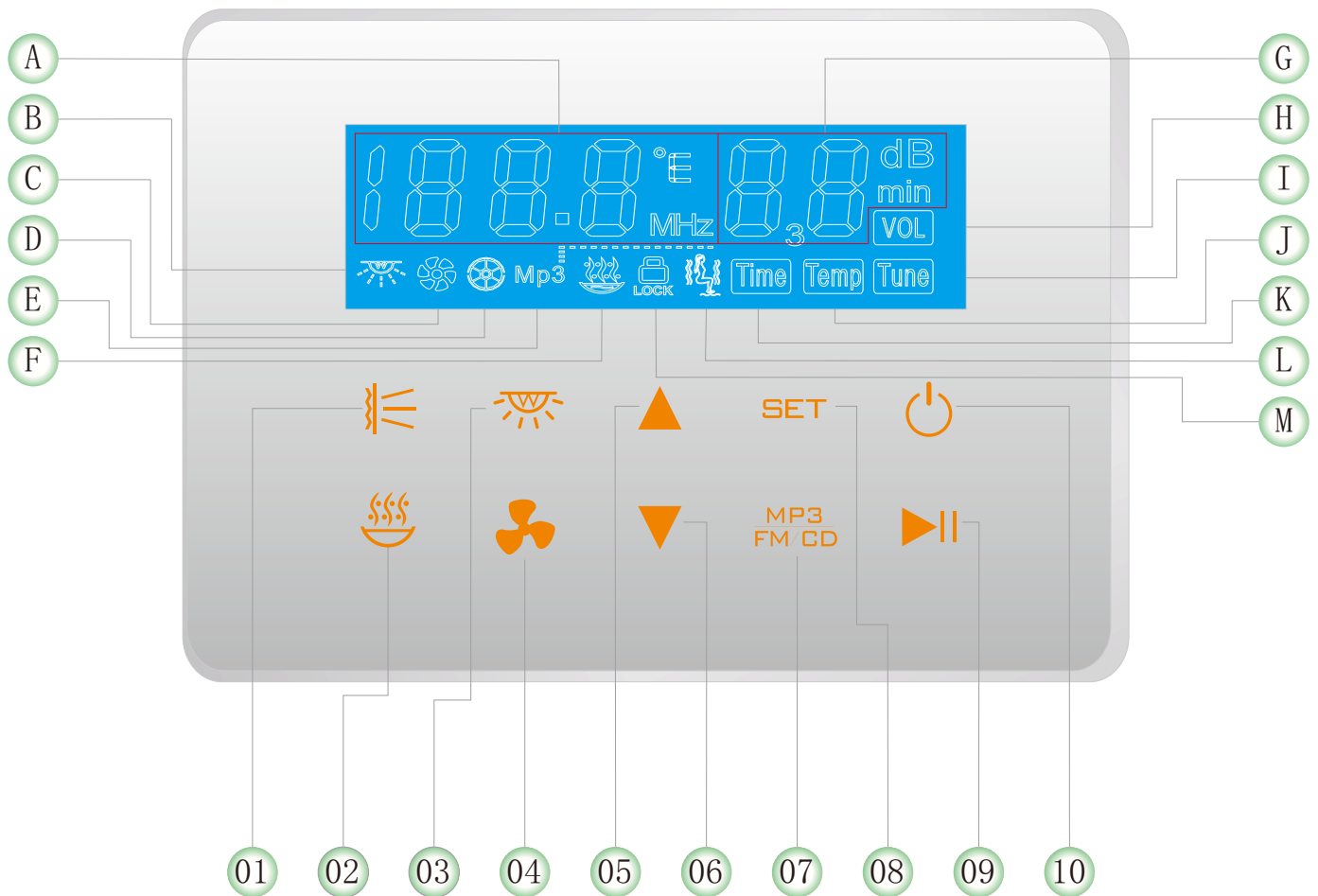


No.	Parts name
1	Handle shower
2	Shower hose
3	Backrest guardrail
4	Aluminium alloy guardrail
5	Glass for shelf of shampoo

No.	Parts name
6	Handrail for shelf of shampoo
7	M4*18 screw
8	Decorated washer
9	Decorated screw cap
10	ST4*30 screw

# Operation instruction

KY0210CA



## Key

- 01.[Infrared sauna] ;
- 02.[Steam function button] ;
- 03.[Colour light] ;
- 04.[Fan] ;
- 05.[Key+] ;
- 06.[Key-] ;
- 07.[CD/MP3/FM] ;
- 08.[Menu] ;
- 09.[Play/Pause] ;
- 10.[Power on/off].

## Screen

- A.[Temp/FM] ;
- B.[Colour light] ;
- C.[Fan] ;
- D.[CD] ;
- E.[MP3] ;
- F.[Steam] ;
- G.[Volume/time] ;
- H.[Volume setting] ;
- I.[FM/MP3 setting] ;
- J.[Temp setting] ;
- K.[Time setting] ;
- L.[Infrared sauna];
- M.[Lock].

## 1.Power on/off

On: Press the key is about 1 second to start it.

Off: Press power on/off key about 2 seconds to turn off.

## 2.Infrared sauna function

Touch infrared sauna key to start it and it will show its icon. Touch again to turn off them. When reaches setting temperature, the system will shut down automatically. when temperature less than 3°C, the system will restart infrared sauna function automatically .

## 3.Steam function

Press steam switch to turn on the steam function,then the steam icon will turn on,press the switch again to turn it off,when the room temperature reach the setted temperature,the system will automatismed turn off,when the room temperature is 3°C lower than setted one,the system will automatically turn on .

Remark :the steam function and infrareds function cannot be turn on at same time,but can switch directly.

## 4.Time/tempreture setting

Touch the menu the first time and the key flashing, touch up/down key to adjust time setting between 01 ~ 99 minutes; touch the menu again to display temperature then touch up/down key to adjust the temperature setting with range 35~60°C .

## 5.Multi-color top lamp

Press color light key to adjust the color lamp by hand.It works circularly from white/green/yellow/blue/red/turn off.Top lamp is controled by the key within 15minutes after shut down the control panel.Once turn on power,white is acquiescence.

## 6.Fan function

Touch the fan key to start fan with fan light icon.Touch it again to turn off.

## 7.FM function

Under power on condition,press FM key to turn on radio.The setted frequency is the frequency you turn off last time,at the same time the frequency will be shown on the display,then the MP3 will be shown on the display .Press FM key again,the radio will be turn off.The scale of frequency is 87.5-108MHZ.Adjust the frequency Under radio turn on condition,press FM+/FM- to adjust the frequency.Press one time the frequency will be downwards or upwards 0.1MHZ.Press FM+/FM- about 2 seconds,the system will search the frequency automatical ly until find a clearly frequency,and then play the frequency searched.

## 8.CD/MP3 function

Touch CD/MP3/FM key to turn on CD /MP3.When CD/MP3 works,touch the menu to set FM display,then touch up/down key to play the next song. Touch the play/Pause to switch CD/MP3.

## 9.Volume adjust

Under condition of turn on radio or CD/MP3,the setted volume is 8 Press up or down key to adjust volume which betweent0 and 12,it displays current volume under setted time 5seconds,then recover time showing.

## 10.Key-press lock

After the control panel in the dormancy for 60 minutes ,all the function will lock automatically,the display become black,the key is on,press"Power on/off "for 2 seconds to release it.

# Operation instruction

## 1.Operation of valve

A .Mix water valve function:

Turn to the "H " to connect the hot water ;

Turn to the "C" to connect the cold water ;

Control the place between "H" and "C" to adjust the temperature of the water ;

B.Water valve function:

Adjust the handle for the valve

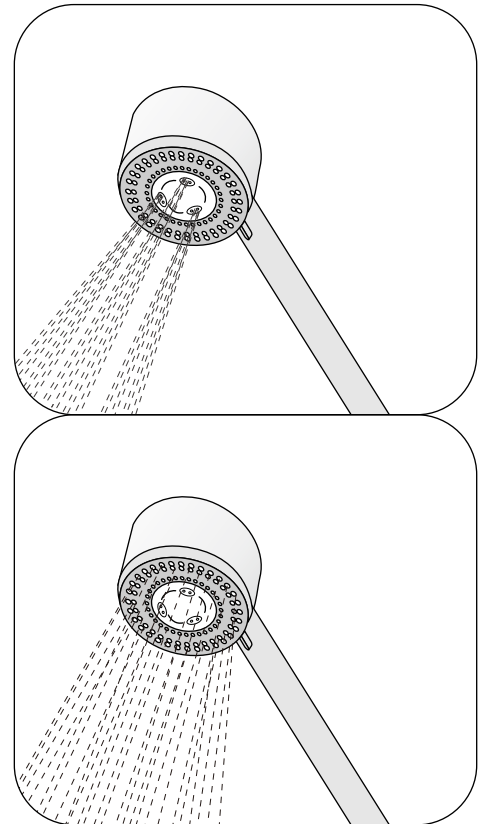
(see picture 1) to the relative function shelves and take it up to connect the relative waterway (see picture 2);

## 2.Steam nozzle function

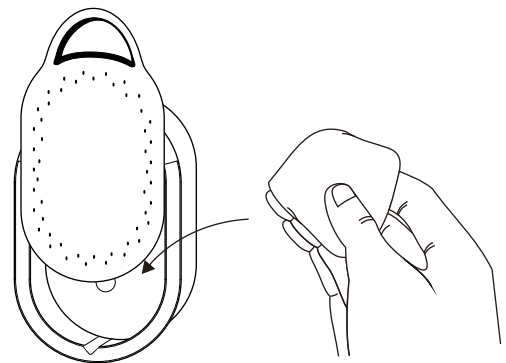
Open the cover of the steam nozzle, put some spice or herbal medicine (see picture 3),cover the steam nozzle cover ,turn on the steam system,scent will come out together with the steam.After shut down the system,it is must to clean the steam nozzle.

## 3.Handle Shower function

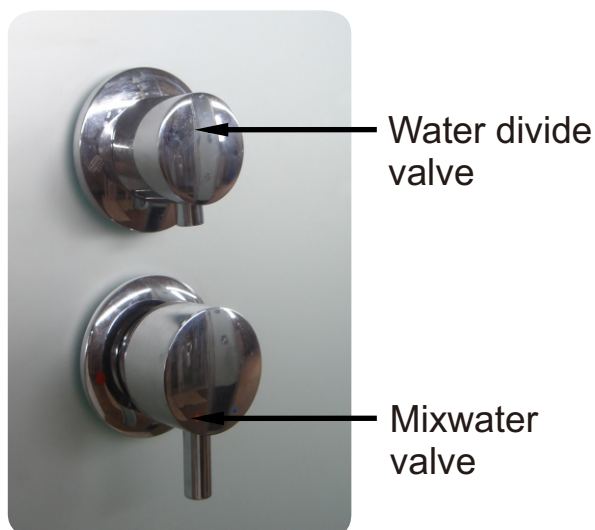
Circumrotate the handle of the handle shower,there are two water style for your choice.(see picture 4)



Picture 4



Picture 3



Water divide valve

Mixwater valve

Picture 1

Top shower

Handle shower

Shower spout head

Picture 2

## After-sales service

### 【Warning】

1. For safety, please don't change the electrical equipment. If any problem, please ask a professional and skillful person to repair it.
2. Because the temperature of steam generator is high, the metal part is wet, for avoiding the scald and electricity, please shut down the main power of the control system and touch it after stopping heating for 30 minutes.
3. Any child or person with disability must use the product with the company of a normal adult.
4. Be sure of power off when clean the cabin, replace parts, or remove operating faults. Please turn off the power when cleaning the cabin, replacing accessory or damage parts.
5. External connected audio frequency should be not too strong otherwise it will burn out the system.
6. The power socket switch must be grounded reliably.
7. Please take attention to rated voltage and power supply, if not match then can't be used. Otherwise, it will burn out the control ler.

### 【Notice】

1. Please put off the power plug from the socket after use.
2. Please make sure wires and sockets are all connected well before turning on power.

### 【Remind】

1. In order to extend the life of the product, it must at least 30 seconds between turn on or off.
2. Control system is still working even though turning off the heater or multi-color lamp, The best way is put off the power socket.
3. Accidental shut down, please re-start.
4. If any uncomfortable when using, please turn off the power.

### 【Maintenance】

1. Please use general neutral liquid detergent to clean the product surface (including bamboo wood, Composite board, plastic, aluminum, plated parts, spray pieces), but don't use strong alkaline detergents and organic solvents (such as Alcohol, Thinner, Ammonia, Acetone etc.)
2. Never wipe gilded or chrome-plated pieces with rough tool but soft cloth.
3. Please keep the tub clean and remove impurities such as hairs to make the drainage unclogged. If there is any dirt in the tub surface, please clean it with a piece of soft cloth with applied some toothpaste



### 【Remind】

1. In order to extend the life of the product, it must at least 30 seconds between turn on or off.
2. Control system is still working even though turning off the heater or multi-color lamp, The best way is put off the power socket.
3. Please put child to the suitable seat to avoid infrared's shining at its head.
4. Accidental shut down, please re-start.
5. If any uncomfortable when using, please turn off the power.
6. Before using, it is better to have some soft drinks (such as fruit juices, vegetable juices or mineral water etc.) while having a bath or shower with water not too cold after using.

### 【Maintenance】

1. Pls use general neutral liquid detergent to clean the product surface (Included bamboo wood, Composite board, plastic, aluminum, plated parts, spray pieces), but don't use strong alkaline detergents and organic solvents (such as Alcohol, Thinner, Ammonia, Acetone etc.)
2. Never wipe gilded or chrome-plated pieces with rough tool but soft cloth.
3. please keep the tub clean and remove impurities such as hairs to make the drainage unclogged. If there is any dirt in the tub surface, please clean it with a piece of soft cloth with applied some toothpaste.
4. General neutral liquid detergent and soft cloth can be used for the daily cleaning of the infrared & steam room. Do not use the detergent containing the acetone or ammonia spirit.
5. Use 1200# waterproof abrasive paper dipped in water to grind the scratch on the room surface, then with 2000#, polish it after that with a piece of soft cloth applied some toothpaste.
6. Pls open the door of this cabin for airiness that can avoid steam or water stay in it over a long period of time which will cause mildew or peculiar smell.



## Aftersales service

### 【Troubleshooting】

Problem	Reasons	Remedy
No Power	<ol style="list-style-type: none"> <li>1. Poor connection of power.</li> <li>2. Power failure of leakage switch.</li> <li>3. Fuse off.</li> </ol>	<ol style="list-style-type: none"> <li>1. Connect well the power socket.</li> <li>2. Reconnect the leakage switch.</li> <li>3. Replace fuse.</li> </ol>
No infrared	<ol style="list-style-type: none"> <li>1. Up to permanent temperature, temperature detector off.</li> <li>2. Heater supply plug not connect well.</li> <li>3. Damage of infrared tube/board.</li> </ol>	<ol style="list-style-type: none"> <li>1. Temperature off and automatically recover.</li> <li>2. Connect well the plug.</li> <li>3. Replace infrared tube/board.</li> </ol>
No steam	<ol style="list-style-type: none"> <li>1. No water in the steam generator.</li> <li>2. Temperature explorer is broken.</li> <li>3. The heater of the steam generator is broken.</li> </ol>	<ol style="list-style-type: none"> <li>1. Check water inlet electromagnetism valve.</li> <li>2. Change the temperature protective explorer.</li> <li>3. Change the heater .</li> </ol>
No sound	<ol style="list-style-type: none"> <li>1. Low volume setted.</li> <li>2. Speaker supply cord is loose.</li> <li>3. Damage of speaker.</li> </ol>	<ol style="list-style-type: none"> <li>1. Adjust volume.</li> <li>2. Connect well the supply cord.</li> <li>3. Replace speaker.</li> </ol>
No color light	<ol style="list-style-type: none"> <li>1. Turn off.</li> <li>2. Multicolor lamp supply cord is loose.</li> <li>3. Damage of multicolor lamp.</li> </ol>	<ol style="list-style-type: none"> <li>1. Turn on color light.</li> <li>2. Connect well the supply cord.</li> <li>3. Replace the multicolor lamp.</li> </ol>
No fan	<ol style="list-style-type: none"> <li>1. Turn off or automatic.</li> <li>2. Fan supply cord is loose.</li> <li>3. Damage of fan.</li> </ol>	<ol style="list-style-type: none"> <li>1. Turn on the fan.</li> <li>2. Connect well the supply cord.</li> <li>3. Replace the fan.</li> </ol>
Tray seeper	Block the drainer .	Clear drainer .





