

N° 3. (ARI)

LOCO



PARTS  
CATALOGUE

FOR

MODEL C6NFL

SERIES 176E

*Subject to any existing rights of third parties, the information contained in this document is the property of Rolls-Royce Limited and should not be copied (in whole or in part) or used for manufacture or otherwise disclosed without the prior written consent of the Company. (This does not preclude use by engine and equipment operators for normal instructional, maintenance or overhaul purposes).*

## INTRODUCTION

This publication contains the List of Parts for a Rolls-Royce Diesel engine of the particular type quoted upon the frontispiece.

Following this Introduction are the Index Sheets for the engine concerned and it will be noted that the engine is divided into a number of functional groups, and that against each of the groups applicable to the engine, a number is printed, e.g.:—

| Group |                      | Engine Number |  |  |
|-------|----------------------|---------------|--|--|
| No.   | Description          | 101 -         |  |  |
| 10    | AIR BALANCE PIPES    | 1             |  |  |
| 20    | AIR CLEANERS         | 11            |  |  |
| 21    | Air Cleaner Ducts    | 6             |  |  |
| 22    | Air Cleaner Mounting | 6             |  |  |

This would indicate that in this example the air balance pipe incorporated will be found in Group 10/1, the air cleaner in Group 20/11, the air cleaner ducts in Group 21/6 and the air cleaner mounting in Group 22/6.

Each of the groups applicable to the engine covered by the Spare Parts Book follows the Index Sheets in Group number order.

Each group contains details of all the assemblies and detail parts, the relationship between the two being indicated by the relative location of item description. Thus, parts with the titles beginning in description column 2 are component parts of, and assemble upon, the preceding assembly with a title beginning in column 1. Parts with titles beginning in column 3 are component parts of column 2. The breakdown of assemblies and units continues in this pattern until all assemblies and units have been listed.

With reference to the fuel injection pump, it should be noted that the specific pump number is quoted against the Fuel Injection Pump group description on the index sheet whilst the pump number which appears on Group 370 is the basic pump from which it is derived.

Parts which are marked thus + cannot be supplied as separate spares.

The Alteration O.E.L. column contains information not relevant to Spares ordering.

The item number applies to the illustration accompanying each sub-group and enables rapid recognition of a particular part.

It is important when ordering spare parts, that the engine series and serial number should be quoted, whenever possible.



# ROLLS-ROYCE LIMITED 'C' RANGE ENGINES

## L O P INDEX SHEET

|        |             |
|--------|-------------|
| Engine | Series 176E |
| Page 1 | of 6        |
| Issue  | 7           |

Engine Type C6NFL

Installation Drg. OB 2138

| Group |  | Engine Number |               |  |
|-------|--|---------------|---------------|--|
|       |  | 132 - 136     | 147 -         |  |
| No.   | Description  |               |               |  |
| 10    | AIR BALANCE PIPES                                  | 1M            | 1M            |  |
| 20    | AIR CLEANERS                                       | 82M           | 82M           |  |
| 21    | Air Cleaner Ducts                                  | -             | -             |  |
| 22    | Air Cleaner Mounting                               | 3M            | 3M            |  |
| 30    | AIR INTAKE MANIFOLD                                | 52M           | 52M           |  |
| 31    | Air Intake Manifold Ducts                          | 41M           | 41M           |  |
| 35    | ALTERNATOR   | -             | -             |  |
| 36    | Alternator Mounting                                | -             | -             |  |
| 37    | Alternator Pulley                                  | -             | -             |  |
| 40    | AUTOMATIC SHUT DOWN<br>(including warning devices) | 123M          | 202M          |  |
| 50    | AUXILIARY DRIVE                                    | 4M            | 4M            |  |
| 51    | Auxiliary Drive Couplings                          | 1M            | 1M            |  |
| 52    | Auxiliary Coupling Guard                           | -             | -             |  |
| 60    | BARRING DRIVE PULLEY                               | -             | -             |  |
| 61    | Barring Drive Gear                                 | -             | -             |  |
| 65    | BALANCER   | -             | -             |  |
| 70    | BELTS (Driving)                                    | 135M          | 135(x) 178(y) |  |
| 71    | Belt Guard   | -             | -             |  |
| 72    | Belt Guide   | 13M           | 13M           |  |
| 80    | BILGE PUMP   | -             | -             |  |
| 81    | Bilge Pump Mounting                                | -             | -             |  |
| 82    | Bilge Pump Pulley                                  | -             | -             |  |
| 90    | BELT TENSIONER<br>(and/or Jockey Pulley)           | -             | -             |  |
| 100   | BREATHER - Engine                                  | 30M           | 30M           |  |
| 110   | CAMSHAFT   | 1M            | 1M            |  |
| 111   | Camshaft Thrust Pad                                | 3M            | 3M            |  |
| 130   | CHARGE COOLER AND MOUNTING                         | -             | -             |  |
| 131   | Charge Cooler Ducts                                | -             | -             |  |
| 132   | Charge Cooler Pipework                             | -             | -             |  |
| 140   | CLUTCH   | -             | -             |  |
| 141   | Clutch Shaft Spigot Bearing                        | 8M            | 8M            |  |
| 150   | COLD STARTING AIDS                                 | -             | -             |  |

Alteration O.E.L.

|                          |        |  |  |  |  |          |    |      |         |
|--------------------------|--------|--|--|--|--|----------|----|------|---------|
| 9969                     | Md 178 |  |  |  |  |          |    |      |         |
| 10016                    | 10864  |  |  |  |  |          |    |      |         |
| 10244                    | 11034  |  |  |  |  |          |    |      |         |
| 10766                    |        |  |  |  |  |          |    |      |         |
| For notes see Final Page |        |  |  |  |  | Compiled | GP | Date | 30.6.64 |

ROLLS-ROYCE LIMITED 'C' RANGE ENGINES  
L O P INDEX SHEET

Engine Series 176E  
Page 2 of 6  
Issue 10

| Group |   | Engine Number |                  |  |
|-------|---|---------------|------------------|--|
| No.   | Description                                   | 132 - 136     | 147 -            |  |
| 160   | COMPRESSOR (or Exhauster)                     | 20M           | 20M(x)39M(y)     |  |
| 161   | Air Pipes                                     | -             | -                |  |
| 162   | Coolant Pipes                                 | -             | -                |  |
| 163   | Mounting                                      | 21M           | 21M(x)29M&30M(y) |  |
| 164   | Oil Pipes                                     | 32M           | 32M(x)74M(y)     |  |
| 165   | Pulley or coupling                            | 13M           | 13M              |  |
| 166   | Unloader valve                                | -             | -                |  |
| 170   | CONNECTING RODS                               | 1M            | 1M               |  |
| 180   | CONTROLS                                      | 183M          | 183M             |  |
| 181   | Controls (Marine)                             | -             | -                |  |
| 190   | COOLANT PUMP                                  | 88M           | 97M              |  |
| 191   | Coolant pump connections                      | 141M          | 141M             |  |
| 192   | Coolant pump pulley                           | 16M           | 16M              |  |
| 193   | COOLANT DRAIN PIPES                           | 62M           | 62M              |  |
| 195   | COOLANT RAIL                                  | -             | -                |  |
| 196   | COOLANT THERMOSTAT<br>(If Separate Unit)      | -             | -                |  |
| 197   | COOLANT CONNECTIONS<br>(Exhaust Manifold)     | 33M           | 33M              |  |
| 198   | COOLANT PUMP OIL FEED<br>(Horizontal Engines) | -             | -                |  |
| 200   | COUPLING (Flywheel)                           | -             | -                |  |
| 230   | CRANKCASE AND BEARINGS                        | 188M          | 188M             |  |
| 240   | CRANKSHAFT (including gears)                  | 1M            | 1M               |  |
| 241   | Crankshaft damper                             | 1M            | 1M               |  |
| 242   | Crankshaft hub                                | 1M            | 1M               |  |
| 243   | Crankshaft pulley and attachments             | 37M           | 37M              |  |
| 250   | CYLINDER HEAD                                 | 97M&164M      | 97M&164M         |  |
| 260   | CYLINDER LINERS                               | 2M            | 2M               |  |
| 270   | DIPSTICK                                      | 21M           | 21M              |  |
| 280   | DYNAMO  | 16M           | 16M              |  |
| 281   | Control board                                 | 14M           | 14M              |  |
| 282   | Mounting                                      | 23M           | 23M              |  |
| 283   | Pulley  | 4M            | 4M               |  |
| 284   | Tensioner                                     | 6M            | 6M               |  |

Alteration O.E.L.

|       |        |       |  |  |  |  |  |  |  |
|-------|--------|-------|--|--|--|--|--|--|--|
| 9939  | Mod178 | 11180 |  |  |  |  |  |  |  |
| 10016 | 10771  |       |  |  |  |  |  |  |  |
| 10159 | Mod164 |       |  |  |  |  |  |  |  |
| 10244 | 10918  |       |  |  |  |  |  |  |  |
| 10766 | 11034  |       |  |  |  |  |  |  |  |

For notes see Final Page

ROLLS-ROYCE LIMITED 'C' RANGE ENGINES  
L O P INDEX SHEET

Engine Series 176E  
Page 3 of 6  
Issue 8

| Group |  | Engine Number |             |   |
|-------|--|---------------|-------------|---|
| No.   | Description  | 132 - 136     | 147 -       |   |
| 290   | ELECTRICAL WIRING AND FITTINGS                     | 1M & 87M      | 1M & 87M    |   |
| 310   | ENGINE MOUNTING - Front                            | 28M           | 28M         |   |
| 311   | Engine Mounting - Rear                             | -             | -           |   |
| 320   | EVACUATION PUMP                                    | -             | -           | - |
| 321   | EVACUATION PIPES                                   | -             | -           |   |
| 330   | EXHAUST MANIFOLD                                   | 113M          | 113M        |   |
| 331   | Exhaust system                                     | -             | -           |   |
| 335   | FAN  | 26M           | 26 M        |   |
| 336   | Fan adaptor  | 5M            | 5M          |   |
| 340   | FLYWHEEL   | 135M          | 135M        |   |
| 350   | FLYWHEEL HOUSING (or Adaptor plate)                | 99M           | 99M         |   |
| 351   | Flywheel housing adaptor ring                      | 77M           | 77M         |   |
| 352   | Flywheel housing fittings                          | 130M          | 130M        |   |
| 353   | Flywheel housing stiffening brackets               | 7M            | 7M          |   |
| 370   | FUEL INJECTION PUMP<br>OX 1041/68(zz)OX1051/68(zz) | 322M & 525M   | 421M & 525M |   |
| 371   | Fuel injection pump lubrication                    | -             | -           |   |
| 372   | Fuel injection pump mounting                       | 1M            | 1M          |   |
| 373   | FUEL INJECTORS                                     | 2M            | 21M         |   |
| 374   | FUEL INJECTION PIPES - Low pressure                | 199M          | 199M        |   |
| 375   | Fuel injection pipes - High pressure               | 53M           | 53M         |   |
| 380   | FUEL FILTER - ENGINE                               | 32M           | 32M         |   |
| 381   | Fuel Filter - (Primary)                            | -             | -           |   |
| 382   | Fuel Filter - (Primary) - Pipework                 | -             | -           |   |
| 390   | GEARBOX - ACCESSORY DRIVE                          | -             | -           |   |
| 391   | Gearbox  | -             | -           |   |
| 392   | Gearbox Pipework                                   | -             | -           |   |
| 400   | GENERATOR SET EQUIPMENT                            | -             | -           |   |
| 410   | HEADER TANK (Marine Type)                          | -             | -           |   |
| 411   | Header Tank Support Bracket                        | -             | -           |   |
| 412   | Header Tank Filler                                 | -             | -           |   |
| 420   | HYDRAULIC PUMP                                     | -             | -           |   |

Alteration O.E.L.

|       |         |  |  |  |  |  |  |  |  |
|-------|---------|--|--|--|--|--|--|--|--|
| 9939  | 10529   |  |  |  |  |  |  |  |  |
| 10062 | 10652   |  |  |  |  |  |  |  |  |
| 10228 | Mod 174 |  |  |  |  |  |  |  |  |
| 10244 | 11034   |  |  |  |  |  |  |  |  |

For notes see Final Page



# ROLLS-ROYCE LIMITED 'C' RANGE ENGINES

## L O P INDEX SHEET

|         |             |
|---------|-------------|
| Engine  | Series 176E |
| Page 4  | of 6        |
| Issue 4 |             |

| Group |  | Engine Number |       |  |
|-------|--|---------------|-------|--|
| No.   | Description  | 132 - 136     | 147 - |  |
| 430   | IDLER GEARS  | 2M            | 2M    |  |
| 435   | IMMERSION HEATER                                     | -             | -     |  |
| 440   | INSTALLATION LOOSE ITEMS                             | 659M          | 659M  |  |
| 450   | INSTRUMENTS  | 263M          | 263M  |  |
| 451   | Instrument Panel                                     | -             | -     |  |
| 452   | Instrument Pipes                                     | -             | -     |  |
| 455   | NATURAL GAS EQUIPMENT                                | -             | -     |  |
| 460   | OIL COOLER(Engine) - INTEGRAL TYPE                   | 3M            | 3M    |  |
| 461   | Coolant Connections                                  | 32M           | 32M   |  |
| 462   | OIL COOLER (Engine) - PACK TYPE                      | -             | -     |  |
| 463   | Coolant Connections                                  | -             | -     |  |
| 470   | OIL FILTERS  | 19M           | 19M   |  |
| 471   | Oil Filter Pipes                                     | 1M            | 1M    |  |
| 472   | OIL DISTRIBUTOR                                      | 38M           | 38M   |  |
| 473   | OIL DRAIN CHAMBER<br>(Horizontal engine wheelcase)   | -             | -     |  |
| 474   | OIL GALLERY  | 1M            | 1M    |  |
| 475   | OIL PUMP   | 21M           | 21M   |  |
| 476   | OIL RELIEF VALVE                                     | 1M            | 1M    |  |
| 477   | OIL DRAIN PIPES<br>(Crankcase rear - horiz. engines) | -             | -     |  |
| 480   | OIL FILLER CAP                                       | 2M            | 8M    |  |
| 481   | Oil Filler Body                                      | 3M            | 58M   |  |
| 490   | PISTONS  | 31M           | 31M   |  |
| 500   | POWER TAKE-OFF (Front End)                           | -             | -     |  |
| 501   | Power Take-off Drive                                 | -             | -     |  |
| 502   | POWER TAKE-OFF (Wheelcase Rear)                      | -             | -     |  |
| 503   | Power Take-off Drive                                 | -             | -     |  |
| 504   | POWER TAKE-OFF DRIVE<br>(Auxiliary Shaft)            | -             | -     |  |
| 506   | POWER TAKE-OFF DRIVE LUBRICATION                     | -             | -     |  |

Alteration O.E.L.

|       |  |  |  |  |  |  |  |  |  |
|-------|--|--|--|--|--|--|--|--|--|
| 10016 |  |  |  |  |  |  |  |  |  |
| 10244 |  |  |  |  |  |  |  |  |  |
| 11034 |  |  |  |  |  |  |  |  |  |

For notes see Final Page

ROLLS-ROYCE LIMITED 'C' RANGE ENGINES  
L O P INDEX SHEET

Engine Series 176E  
Page 5 of 6  
Issue 5

| Group |                             | Engine Number |       |
|-------|-----------------------------|---------------|-------|
| No.   | Description                 | 132 - 136     | 147 - |
| 515   | PUSH RODS AND TAPPETS       | 1M            | 1M    |
| 520   | RADIATOR                    | 26M           | 26M   |
| 521   | Coolant Connections         | 2M            | 2M    |
| 522   | Coolant Pipes               | -             | -     |
| 523   | Filler                      | 1M            | 1M    |
| 524   | Mounting                    | -             | -     |
| 530   | ROCKER COVER                | 13M           | 13M   |
| 535   | ROCKER GEAR                 | 1M            | 1M    |
| 536   | Rocker Gear Oil Pipes       | 2M            | 2M    |
| 540   | SEA WATER PUMP AND MOUNTING | -             | -     |
| 541   | Seawater Pump Drive         | -             | -     |
| 542   | Seawater Pump Pipework      | -             | -     |
| 550   | SERVICE OVERHAUL ASSEMBLIES | 20M           | 20M   |
| 560   | SERVICE COUNTER             | 2M            | 2M    |
| 561   | Service Counter Drive       | 1M            | 1M    |
| 570   | STARTER - AIR               | -             | -     |
| 571   | Starter - Electric          | 58M           | 58M   |
| 572   | Starter - Hydraulic         | -             | -     |
| 573   | Starter - Inertia           | -             | -     |
| 574   | Starter Mounting            | -             | -     |
| 580   | SUMP                        | 112M          | 112M  |
| 581   | Sump Adaptor                | -             | -     |
| 590   | SUPERCHARGER                | -             | -     |
| 591   | Drive and Housing           | -             | -     |
| 592   | Ducts                       | -             | -     |
| 593   | Oil Pipes                   | -             | -     |
| 594   | Rear Mounting               | -             | -     |
| 600   | TACHOMETER AND DRIVE        | 77M           | 77M   |
| 610   | TAPPET COVER                | 86M           | 86M   |
| 620   | TOOL KIT                    | 4M            | 4M    |
| 630   | TORQUE CONVERTER            | 16M           | 16M   |
| 631   | Controls                    | -             | -     |
| 632   | Charge Pump                 | 1M            | 38M   |
| 633   | Charge Pump Mounting        | 5M            | 5M    |
| 634   | Charge Pump Reduction Gear  | -             | -     |

Alteration O.E.L.

|       |  |  |  |  |  |  |  |  |  |
|-------|--|--|--|--|--|--|--|--|--|
| 10016 |  |  |  |  |  |  |  |  |  |
| 10093 |  |  |  |  |  |  |  |  |  |
| 10244 |  |  |  |  |  |  |  |  |  |
| 11034 |  |  |  |  |  |  |  |  |  |

For notes see Final Page

# ROLLS-ROYCE LIMITED 'C' RANGE ENGINES L O P INDEX SHEET

|         |             |
|---------|-------------|
| Engine  | Series 176E |
| Page 6  | of 6        |
| Issue 7 |             |

| Group |                            | Engine Number |       |
|-------|----------------------------|---------------|-------|
| No.   | Description                | 132 - 136     | 147 - |
| 635   | TORQUE CONVERTER COOLER    | 1M            | 1M    |
| 636   | Coolant Pipes              | 36M           | 36M   |
| 637   | Cooler Mounting            | 1M            | 1M    |
| 638   | Filter                     | 9M            | 9M    |
| 639   | Filter Mounting            | -             | -     |
| 640   | Instruments                | 64M           | 64M   |
| 641   | Oil Pipes                  | 83M           | 141M  |
| 642   | Output Shaft Governor      | -             | -     |
| 650   | TURBOCHARGER               | -             | -     |
| 651   | Ducts                      | -             | -     |
| 652   | Mounting                   | -             | -     |
| 653   | Oil Pipes                  | -             | -     |
| 660   | VALVES (including Springs) | 30M           | 30M   |
| 670   | WHEELCASE                  | 92M           | 92M   |
| 671   | Wheelcase backplate        | 2M            | 2M    |

Notes (which may not all apply to this engine)

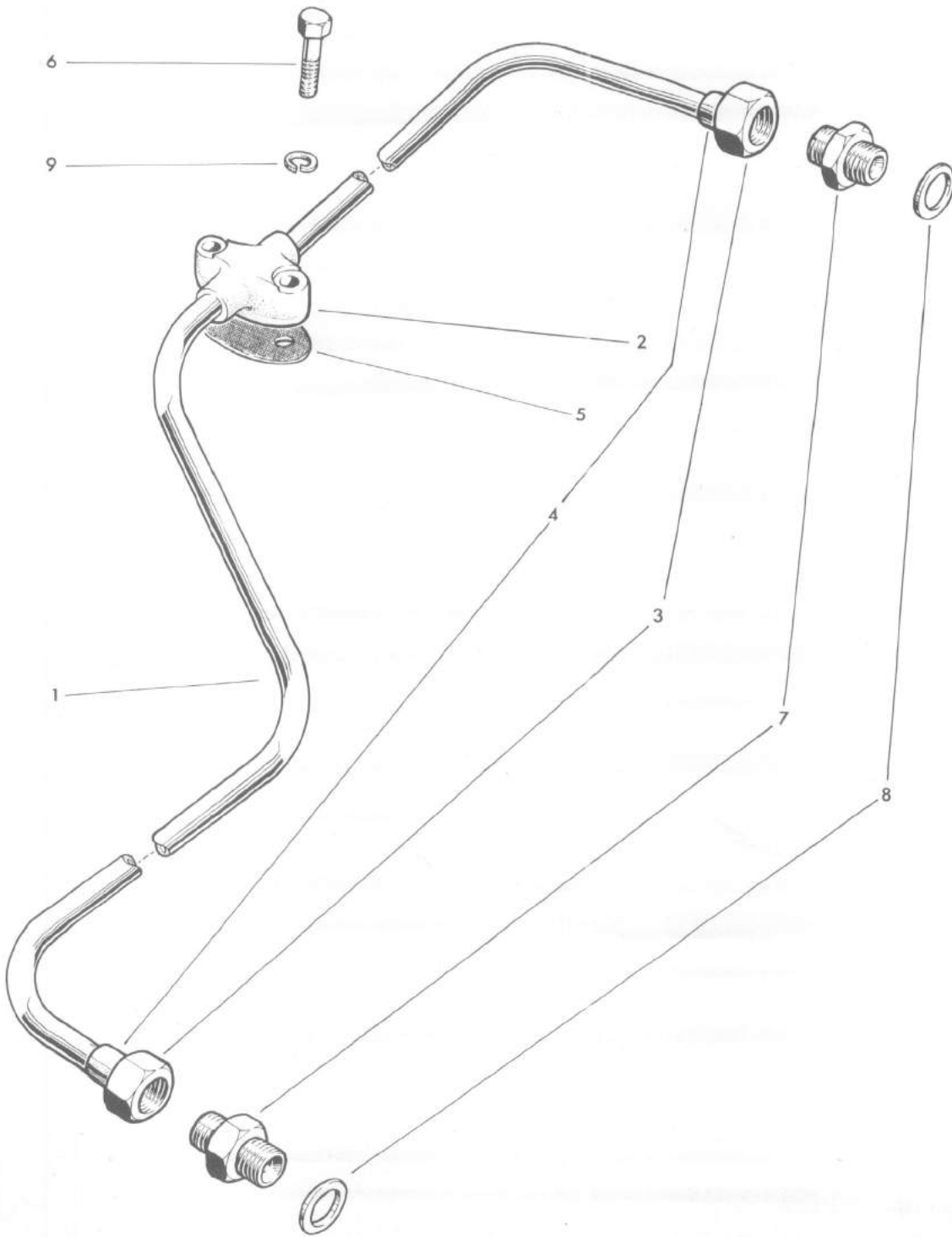
(b) to replace (a) in complete sets when stocks of (a) are exhausted  
 (d) to replace (c) in complete sets when stocks of (c) are exhausted  
 (f) to replace (e) in complete sets when stocks of (e) are exhausted  
 (h) to replace (g) in complete sets when stocks of (g) are exhausted  
 (k) to replace (j) in complete sets when stocks of (j) are exhausted  
 (m) to replace (l) in complete sets when stocks of (m) are available  
 (p) to replace (n) in complete sets when stocks of (p) are available  
 (r) to replace (q) in complete sets when stocks of (r) are available  
 (s) and (t) :- Alternatives  
 (u) (v) and (w) :- Alternatives  
 (y) to replace (x) in complete sets when stocks of (x) are exhausted  
 (z) for transportation purposes only  
 (bb) to replace (aa) in complete sets when stocks of (aa) are exhausted  
 (dd) to replace (cc) in complete sets when stocks of (cc) are exhausted  
 (ff) to replace (ee) in complete sets when stocks of (ee) are exhausted  
 (gg) (hh) (jj) and (kk) :- Alternatives  
 (mm) to replace (ll) in complete sets when stocks of (ll) are exhausted

TIMING POSITION :- 10 o'clock

Alteration O.E.L.

|       |  |  |  |  |  |  |  |  |
|-------|--|--|--|--|--|--|--|--|
| 10016 |  |  |  |  |  |  |  |  |
| 10093 |  |  |  |  |  |  |  |  |
| 10244 |  |  |  |  |  |  |  |  |
| 10631 |  |  |  |  |  |  |  |  |
| 10864 |  |  |  |  |  |  |  |  |
| 11034 |  |  |  |  |  |  |  |  |





|          |     |      |             |               |   |
|----------|-----|------|-------------|---------------|---|
| Compiled | G C | Date | 8 · 11 · 63 | No. of plates | 1 |
|----------|-----|------|-------------|---------------|---|

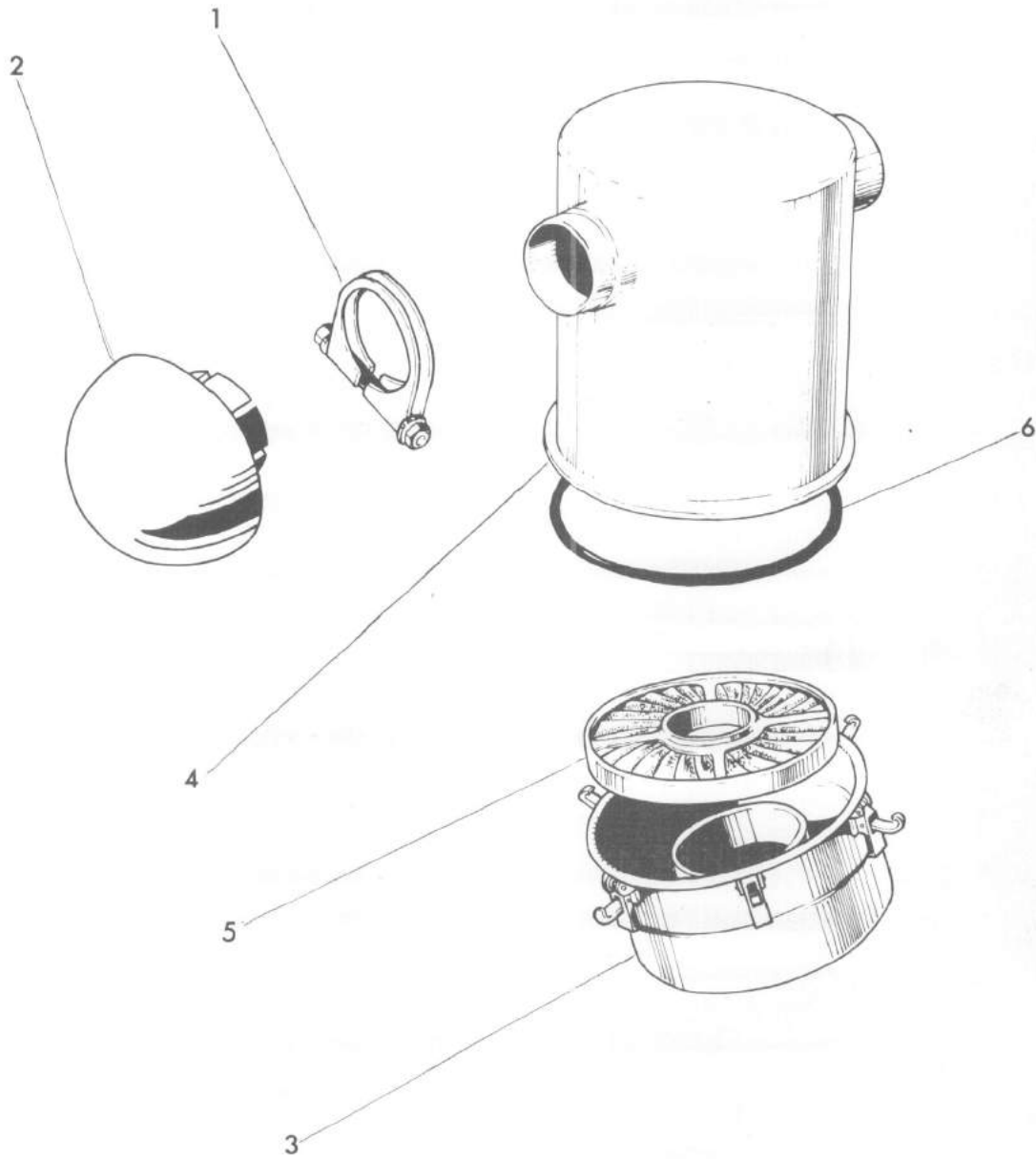
# ROLLS-ROYCE LIMITED 'C' RANGE ENGINES

|       |       |
|-------|-------|
| Group | 10/1M |
| Page  | 1     |
| Issue | 5     |

Group Title AIR BALANCE PIPES

| Alteration<br>O.E.L<br>No. | Item<br>No. | Note | Part No. | Description |         |            |          |   | No.<br>Off |
|----------------------------|-------------|------|----------|-------------|---------|------------|----------|---|------------|
|                            |             |      |          | 1           | 2       | 3          | 4        | 5 |            |
|                            | 1           |      | OE 16998 | Air         | balance | pipes      | assembly |   | 1          |
|                            | 2           |      | OE 2398  | +           | Centre  | connection |          |   | 1          |
|                            | 3           |      | OE 2399  | +           | Nut     |            |          |   | 2          |
|                            | 4           |      | OE 2401  | +           | Nipple  |            |          |   | 2          |
|                            |             |      | OE 2510  | +           | Piece   | number     | tab      |   | 1          |
| 9941                       | 5           |      | OE 30979 | Joint       |         |            |          |   | 1          |
|                            | 6           | A    | UF 1558  | Setscrew    | .375    | dia.       | by 1.500 |   | 2          |
|                            | 7           |      | OE 2417  | Union       |         |            |          |   | 2          |
|                            | 8           |      | OE 523   | Washer      | -       | joint      |          |   | 2          |
|                            | 9           | A    | ST 16260 | Washer      | -spring | .375       | i/d      |   | 2          |
|                            |             |      |          |             |         |            |          |   |            |
|                            |             |      |          |             |         |            |          |   |            |
|                            |             |      |          |             |         |            |          |   |            |
|                            |             |      |          |             |         |            |          |   |            |
|                            |             |      |          |             |         |            |          |   |            |
|                            |             |      |          |             |         |            |          |   |            |
|                            |             |      |          |             |         |            |          |   |            |
|                            |             |      |          |             |         |            |          |   |            |
|                            |             |      |          |             |         |            |          |   |            |
|                            |             |      |          |             |         |            |          |   |            |
|                            |             |      |          |             |         |            |          |   |            |
|                            |             |      |          |             |         |            |          |   |            |
|                            |             |      |          |             |         |            |          |   |            |
|                            |             |      |          |             |         |            |          |   |            |
|                            |             |      |          |             |         |            |          |   |            |
|                            |             |      |          |             |         |            |          |   |            |
|                            |             |      |          |             |         |            |          |   |            |
|                            |             |      |          |             |         |            |          |   |            |
|                            |             |      |          |             |         |            |          |   |            |
|                            |             |      |          |             |         |            |          |   |            |
|                            |             |      |          |             |         |            |          |   |            |
|                            |             |      |          |             |         |            |          |   |            |

|                                       |          |    |  |          |              |   |
|---------------------------------------|----------|----|--|----------|--------------|---|
| Items marked + not supplied as spares | Compiled | SS | Date   | 26.11.63 | No. of pages | 1 |
| Alteration O.E.L.                     |          |    | Notes  |          |              |   |
| 6817                                  |          |    | A Quantities may vary if certain optional equipment is fitted. |          |              |   |
| 10423                                 |          |    |  |          |              |   |
| 10451                                 |          |    |  |          |              |   |
| Scheme No.                            |          |    |  |          |              |   |



|          |     |      |            |               |   |
|----------|-----|------|------------|---------------|---|
| Compiled | LWH | Date | 9 · 3 · 64 | No. of plates | 1 |
|----------|-----|------|------------|---------------|---|

# ROLLS-ROYCE LIMITED 'C' RANGE ENGINES

Group 22/3M

Page 1 Issue 2

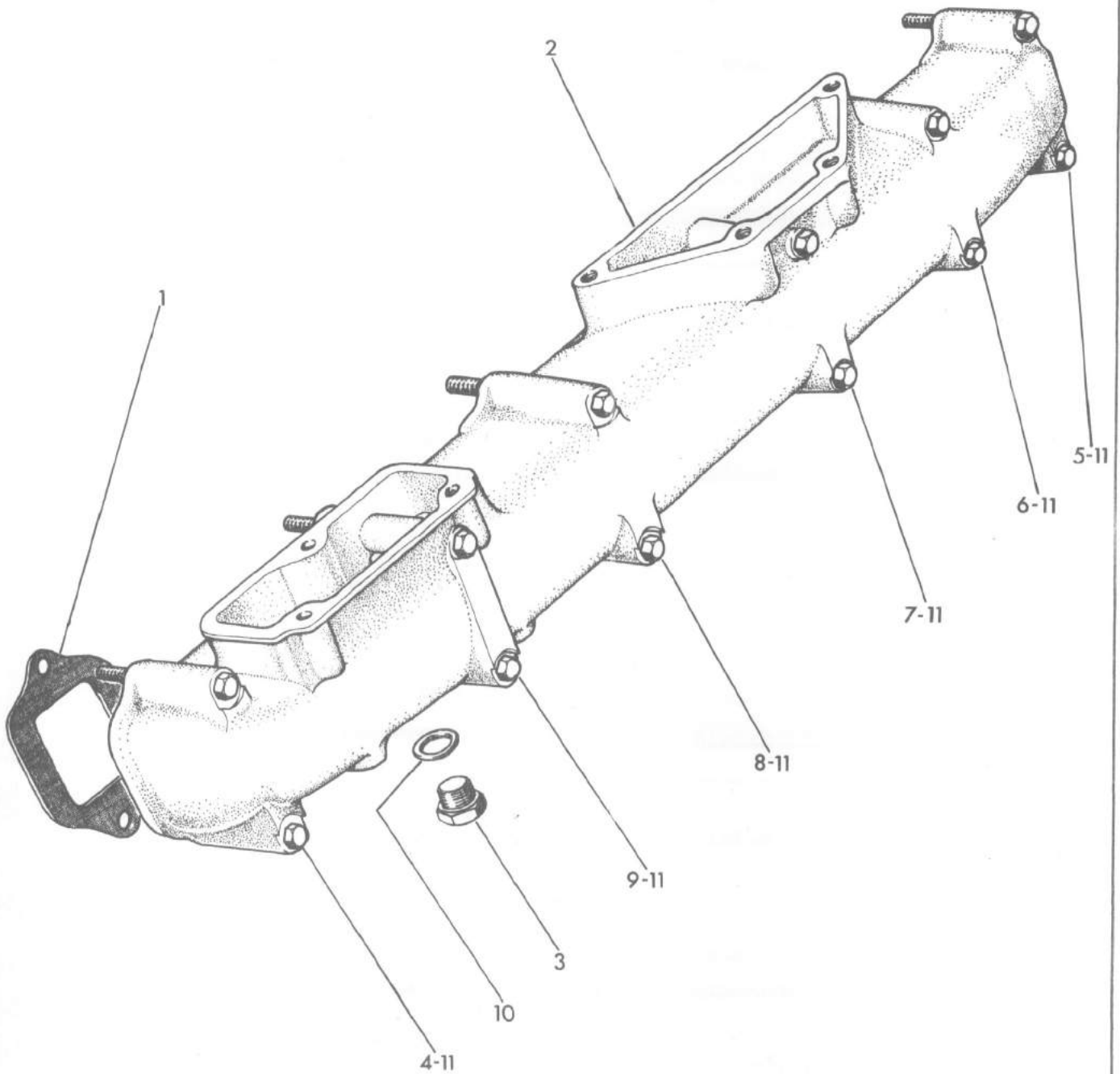
Group Title AIR CLEANER MOUNTING

| Alteration<br>O.E.L.<br>No. | Item<br>No. | Note | Part No. |   |   |   |   |   | Description                        | No.<br>Off |
|-----------------------------|-------------|------|----------|---|---|---|---|---|------------------------------------|------------|
|                             |             |      |          | 1 | 2 | 3 | 4 | 5 |                                    |            |
|                             | 1           |      | OE 9402  |   |   |   |   |   | Bracket (for 12 ins. dia. cleaner) |            |
|                             |             |      |          |   |   |   |   |   | complete with clamping bolts etc.  | 1          |
|                             |             |      |          |   |   |   |   |   |                                    |            |
|                             |             |      |          |   |   |   |   |   |                                    |            |
|                             |             |      |          |   |   |   |   |   |                                    |            |
|                             |             |      |          |   |   |   |   |   |                                    |            |
|                             |             |      |          |   |   |   |   |   |                                    |            |
|                             |             |      |          |   |   |   |   |   |                                    |            |
|                             |             |      |          |   |   |   |   |   |                                    |            |
|                             |             |      |          |   |   |   |   |   |                                    |            |
|                             |             |      |          |   |   |   |   |   |                                    |            |
|                             |             |      |          |   |   |   |   |   |                                    |            |
|                             |             |      |          |   |   |   |   |   |                                    |            |
|                             |             |      |          |   |   |   |   |   |                                    |            |
|                             |             |      |          |   |   |   |   |   |                                    |            |
|                             |             |      |          |   |   |   |   |   |                                    |            |
|                             |             |      |          |   |   |   |   |   |                                    |            |
|                             |             |      |          |   |   |   |   |   |                                    |            |
|                             |             |      |          |   |   |   |   |   |                                    |            |
|                             |             |      |          |   |   |   |   |   |                                    |            |
|                             |             |      |          |   |   |   |   |   |                                    |            |
|                             |             |      |          |   |   |   |   |   |                                    |            |
|                             |             |      |          |   |   |   |   |   |                                    |            |
|                             |             |      |          |   |   |   |   |   |                                    |            |
|                             |             |      |          |   |   |   |   |   |                                    |            |
|                             |             |      |          |   |   |   |   |   |                                    |            |
|                             |             |      |          |   |   |   |   |   |                                    |            |
|                             |             |      |          |   |   |   |   |   |                                    |            |
|                             |             |      |          |   |   |   |   |   |                                    |            |
|                             |             |      |          |   |   |   |   |   |                                    |            |

|                                       |          |       |      |           |              |   |
|---------------------------------------|----------|-------|------|-----------|--------------|---|
| Items marked + not supplied as spares | Compiled | GP    | Date | 19.11.63. | No. of pages | 1 |
| Alteration O.E.L.                     |          | Notes |      |           |              |   |
| 10443                                 |          |       |      |           |              |   |
|                                       |          |       |      |           |              |   |
| Scheme No.                            |          |       |      |           |              |   |

Group Title

AIR INTAKE MANIFOLD



|          |    |      |             |               |   |
|----------|----|------|-------------|---------------|---|
| Compiled | GC | Date | 15 · 6 · 64 | No. of plates | 1 |
|----------|----|------|-------------|---------------|---|

ROLLS-ROYCE LIMITED 'C' RANGE ENGINES

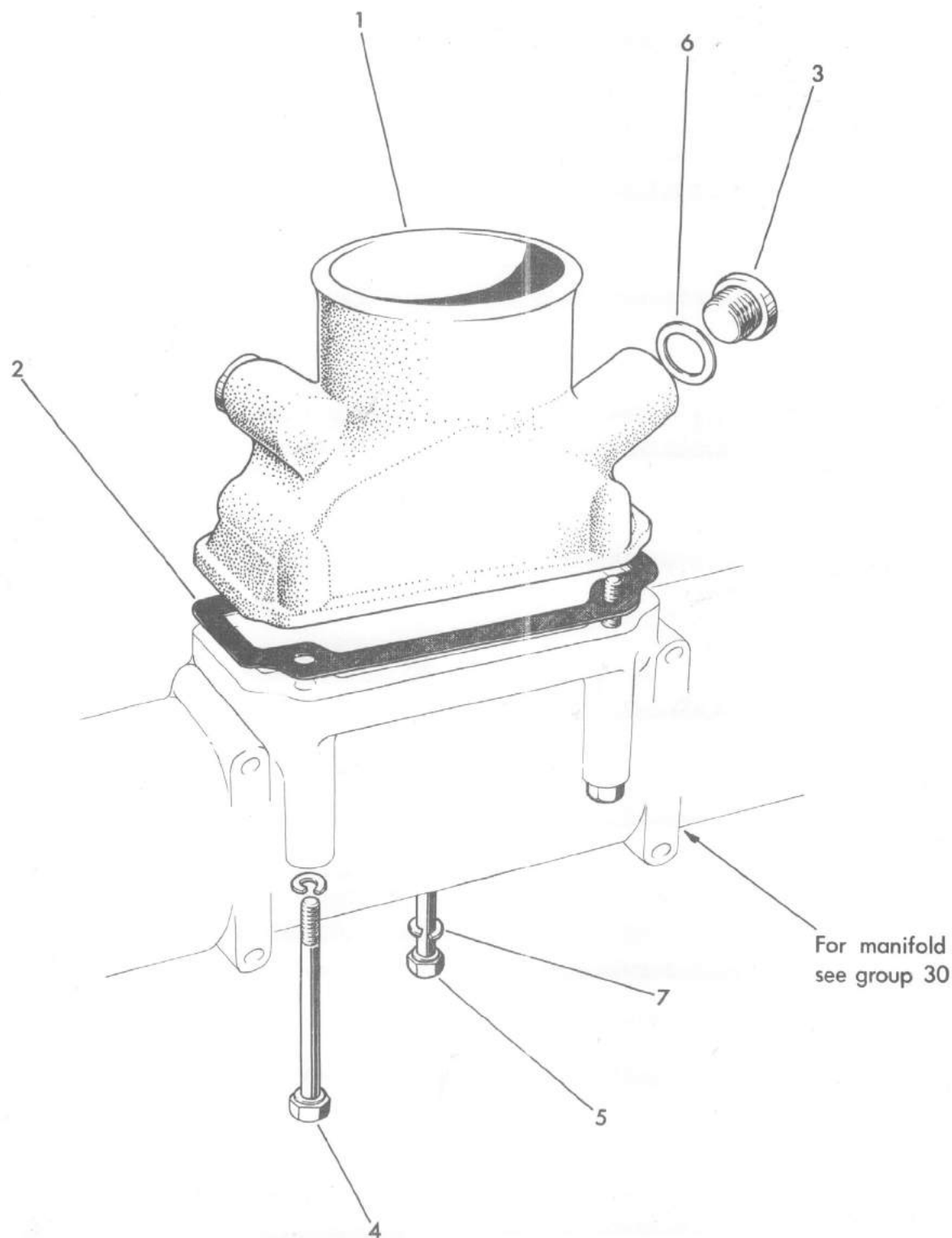
Group 30/52M  
Page 1 Issue 4

Group Title AIR INTAKE MANIFOLD

| Alteration<br>O.E.L<br>No. | Item<br>No. | Note | Part No. | Description                 |   |   |   |   | No.<br>Off |    |
|----------------------------|-------------|------|----------|-----------------------------|---|---|---|---|------------|----|
|                            |             |      |          | 1                           | 2 | 3 | 4 | 5 |            |    |
|                            | 1           |      | OE 2205  | Joint                       |   |   |   |   |            | 6  |
|                            | 2           |      | OE 26440 | Manifold                    |   |   |   |   |            | 1  |
|                            |             |      | 1400089  | Insert - helicoil           |   |   |   |   |            | 4  |
| 10259                      | 3           |      | ST 20102 | Plug                        |   |   |   |   |            | 1  |
|                            | 4           |      | UF 1565  | Setscrew .375 dia. by 2.75  |   |   |   |   |            | 2  |
|                            | 5           |      | UF 1567  | Setscrew .375 dia. by 3.25  |   |   |   |   |            | 2  |
|                            | 6           |      | UF 1568  | Setscrew .375 dia. by 3.50  |   |   |   |   |            | 2  |
|                            | 7           |      | UF 1569  | Setscrew .375 dia. by 3.75  |   |   |   |   |            | 3  |
|                            | 8           |      | UF 1571  | Setscrew .375 dia. by 4.250 |   |   |   |   |            | 1  |
|                            | 9           |      | UF 1575  | Setscrew .375 dia. by 5.25  |   |   |   |   |            | 2  |
|                            | 10          |      | KB 1097  | Washer - joint .520 i/d     |   |   |   |   |            | 1  |
|                            | 11          |      | ST 16260 | Washer - spring .375 i/d    |   |   |   |   |            | 12 |
|                            |             |      |          |                             |   |   |   |   |            |    |
|                            |             |      |          |                             |   |   |   |   |            |    |
|                            |             |      |          |                             |   |   |   |   |            |    |
|                            |             |      |          |                             |   |   |   |   |            |    |
|                            |             |      |          |                             |   |   |   |   |            |    |
|                            |             |      |          |                             |   |   |   |   |            |    |
|                            |             |      |          |                             |   |   |   |   |            |    |
|                            |             |      |          |                             |   |   |   |   |            |    |
|                            |             |      |          |                             |   |   |   |   |            |    |
|                            |             |      |          |                             |   |   |   |   |            |    |
|                            |             |      |          |                             |   |   |   |   |            |    |
|                            |             |      |          |                             |   |   |   |   |            |    |
|                            |             |      |          |                             |   |   |   |   |            |    |
|                            |             |      |          |                             |   |   |   |   |            |    |

|                                       |  |  |  |          |    |      |         |              |   |
|---------------------------------------|--|--|--|----------|----|------|---------|--------------|---|
| Items marked + not supplied as spares |  |  |  | Compiled | GP | Date | 23.4.64 | No. of pages | 1 |
| Alteration O.E.L.                     |  |  |  | Notes    |    |      |         |              |   |
| 10451                                 |  |  |  |          |    |      |         |              |   |
| 10850                                 |  |  |  |          |    |      |         |              |   |
|                                       |  |  |  |          |    |      |         |              |   |
|                                       |  |  |  |          |    |      |         |              |   |
| Scheme No.                            |  |  |  |          |    |      |         |              |   |





|          |     |      |            |               |   |
|----------|-----|------|------------|---------------|---|
| Compiled | DSE | Date | 4 · 3 · 64 | No. of plates | 1 |
|----------|-----|------|------------|---------------|---|

# ROLLS-ROYCE LIMITED 'C' RANGE ENGINES

Group 31/41 M  
 Page 1 Issue 2

Group Title AIR INTAKE MANIFOLD DUCTS

| Alteration O.E.L No. | Item No. | Note | Part No. | Description                |   |   |   |   | No. Off |
|----------------------|----------|------|----------|----------------------------|---|---|---|---|---------|
|                      |          |      |          | 1                          | 2 | 3 | 4 | 5 |         |
|                      | 1        |      | OE 25094 | Duct                       |   |   |   |   | 1       |
|                      |          |      | 1400088  | Insert - helicoil          |   |   |   |   | 3       |
|                      | 2        |      | OE 2437  | Joint                      |   |   |   |   | 1       |
|                      | 3        | A    | UF 5004  | Plug .875 dia.             |   |   |   |   | 2       |
|                      | 4        | B    | UF 1568  | Setscrew .375 dia. by 3.50 |   |   |   |   | 2       |
|                      | 5        | B    | UF 1572  | Setscrew .375 dia. by 4.50 |   |   |   |   | 1       |
|                      |          | C    | UF 1570  | Setscrew .375 dia. by 4.00 |   |   |   |   | 2       |
|                      |          | C    | UF 1575  | Setscrew .375 dia. by 5.25 |   |   |   |   | 1       |
|                      |          | D    | UF 1575  | Setscrew .375 dia. by 5.25 |   |   |   |   | 2       |
|                      |          | D    | UF 1576  | Setscrew .375 dia. by 5.50 |   |   |   |   | 1       |
|                      | 6        | A    | KB 1089  | Washer - joint .875 i/d    |   |   |   |   | 2       |
|                      | 7        |      | ST 16260 | Washer - spring .375 i/d   |   |   |   |   | 3       |
|                      |          |      |          |                            |   |   |   |   |         |
|                      |          |      |          |                            |   |   |   |   |         |
|                      |          |      |          |                            |   |   |   |   |         |
|                      |          |      |          |                            |   |   |   |   |         |
|                      |          |      |          |                            |   |   |   |   |         |
|                      |          |      |          |                            |   |   |   |   |         |
|                      |          |      |          |                            |   |   |   |   |         |
|                      |          |      |          |                            |   |   |   |   |         |
|                      |          |      |          |                            |   |   |   |   |         |
|                      |          |      |          |                            |   |   |   |   |         |
|                      |          |      |          |                            |   |   |   |   |         |
|                      |          |      |          |                            |   |   |   |   |         |
|                      |          |      |          |                            |   |   |   |   |         |
|                      |          |      |          |                            |   |   |   |   |         |
|                      |          |      |          |                            |   |   |   |   |         |

|                                       |          |       |      |        |              |  |
|---------------------------------------|----------|-------|------|--------|--------------|--|
| Items marked + not supplied as spares | Compiled | DWN   | Date | 6.6.64 | No. of pages | 1  |
| Alteration O.E.L.                     |          | Notes |      |        |              |  |
| 10992                                 |          |       |      |        |              | A Quantities may be reduced if certain optional equipment is fitted.                 |
|                                       |          |       |      |        |              | B. C and D are alternatives depending upon type of manifold to which duct is fitted. |
| Scheme No.                            |          |       |      |        |              |  |

# ROLLS-ROYCE LIMITED 'C' RANGE ENGINES

Group 40/123M  
Page 1 Issue 1

Group Title AUTOMATIC SHUTDOWN  
(including Warning Devices)

| Alteration O.E.L No. | Item No. | Note | Part No.   |   |   |   |   |   | Description                               | No. Off |
|----------------------|----------|------|------------|---|---|---|---|---|---|---------|
|                      |          |      |            | 1 | 2 | 3 | 4 | 5 |   |         |
|                      | 1        |      | OE 30745   |   |   |   |   |   | Adaptor - filter head - pressure switch   | 1       |
|                      | 2        |      | OE 27108   |   |   |   |   |   | Adaptor - exhaust manifold - temp. switch | 1       |
|                      | 3        |      | OE 4935    |   |   |   |   |   | Joint - adaptor - exhaust manifold        | 1       |
|                      | 4        |      | OD 10882/2 |   |   |   |   |   | Pressure switch                           | 1       |
|                      | 5        |      | UF 1503    |   |   |   |   |   | Setscrew .312 dia. by .875                |         |
|                      |          |      |            |   |   |   |   |   | adaptor to manifold                       | 4       |
|                      | 6        |      | OD 10883/2 |   |   |   |   |   | Temperature switch                        | 1       |
|                      | 7        |      | OE 15066   |   |   |   |   |   | Washer - laminated 1.250 i/d - adaptor    | 1       |
|                      | 8        |      | ST 16259   |   |   |   |   |   | Washer - spring .312 i/d                  | 4       |
|                      |          |      |            |   |   |   |   |   |   |         |
|                      |          |      |            |   |   |   |   |   |   |         |
|                      |          |      |            |   |   |   |   |   |   |         |
|                      |          |      |            |   |   |   |   |   |   |         |
|                      |          |      |            |   |   |   |   |   |   |         |
|                      |          |      |            |   |   |   |   |   |   |         |
|                      |          |      |            |   |   |   |   |   |   |         |
|                      |          |      |            |   |   |   |   |   |   |         |
|                      |          |      |            |   |   |   |   |   |   |         |
|                      |          |      |            |   |   |   |   |   |   |         |
|                      |          |      |            |   |   |   |   |   |   |         |
|                      |          |      |            |   |   |   |   |   |   |         |
|                      |          |      |            |   |   |   |   |   |   |         |
|                      |          |      |            |   |   |   |   |   |   |         |
|                      |          |      |            |   |   |   |   |   |   |         |
|                      |          |      |            |   |   |   |   |   |   |         |
|                      |          |      |            |   |   |   |   |   |   |         |

GP

|                                       |  |  |          |       |      |         |              |   |
|---------------------------------------|--|--|----------|-------|------|---------|--------------|---|
| Items marked + not supplied as spares |  |  | Compiled | GP    | Date | 7.2.63. | No. of pages | 1 |
| Alteration O.E.L.                     |  |  |          | Notes |      |         |              |   |
|                                       |  |  |          |       |      |         |              |   |
|                                       |  |  |          |       |      |         |              |   |
| Scheme No.                            |  |  |          |       |      |         |              |   |

# ROLLS-ROYCE LIMITED 'C' RANGE ENGINES

Group 40/202M

AUTOMATIC SHUT DOWN  
(including warning devices)

Page 1 Issue 2

Group Title

| Alteration<br>O.E.L.<br>No. | Item<br>No. | Note | Part No.  | Description        |                     |                               |   |                    | No.<br>Off |
|-----------------------------|-------------|------|-----------|--------------------|---------------------|-------------------------------|---|--------------------|------------|
|                             |             |      |           | 1                  | 2                   | 3                             | 4 | 5                  |            |
|                             | 1           |      | OE 30745  | Adaptor            | -                   | filter head                   | - | pressure switch    | 1          |
|                             | 2           |      | OE 33227  | Adaptor            | -                   | exhaust manifold              | - | temperature switch | 1          |
| 11009                       |             |      | OE 33855  | Flexible           | -                   | mounting assembly             |   |                    | 1          |
| 11009                       | 3           |      | OE 33841  | Adaptor            |                     |                               |   |                    | 1          |
|                             | 4           |      | OE 31414  | Cap                |                     |                               |   |                    | 1          |
|                             | 5           |      | OE 31434  | Damper ring        |                     |                               |   |                    | 2          |
|                             | 6           |      | OE 33091  | Plate              | -                   | centre                        |   |                    | 1          |
|                             | 7           |      | S 180/2/8 | Screw              | -                   | 2 BA by .500                  |   |                    | 4          |
|                             | 8           |      | ST 16256  | Washer             | -                   | spring - 2 B A                |   |                    | 4          |
|                             | 9           |      | OE 4935   | Joint              | -                   | adaptor - exhaust manifold    |   |                    | 1          |
|                             | 10          | A    | UF 5403   | Plug               | -                   | blanking .812 dia.            |   |                    | 1          |
|                             | 11          |      | OD10882/2 | Pressure switch    |                     |                               |   |                    | 1          |
|                             | 12          |      | UF 1503   | Setscrew           | .312 dia. by .875 - |                               |   |                    |            |
|                             |             |      |           |                    |                     | adaptor to manifold           |   |                    | 4          |
|                             | 13          |      | OD12129/2 | Temperature switch |                     |                               |   |                    | 1          |
|                             | 14          |      | OE 15066  | Washer             | -                   | laminated 1.250 i/d - adaptor |   |                    | 1          |
|                             | 15          |      | ST 16259  | Washer             | -                   | spring .312 i/d               |   |                    | 4          |
|                             | 16          | A    | KB 1089   | Washer             | -                   | joint .812 i/d                |   |                    | 1          |
|                             | 17          |      | KB 1098   | Washer             | -                   | joint .830 i/d                |   |                    | 1          |
|                             | 18          |      | KB 1085   | Washer             | -                   | joint 1.125 i/d               |   |                    | 1          |

Items marked + not supplied as spares

Compiled

GRE

Date

9.6.64.

No. of pages

1

Alteration O.E.L.

Notes

A Uses required.

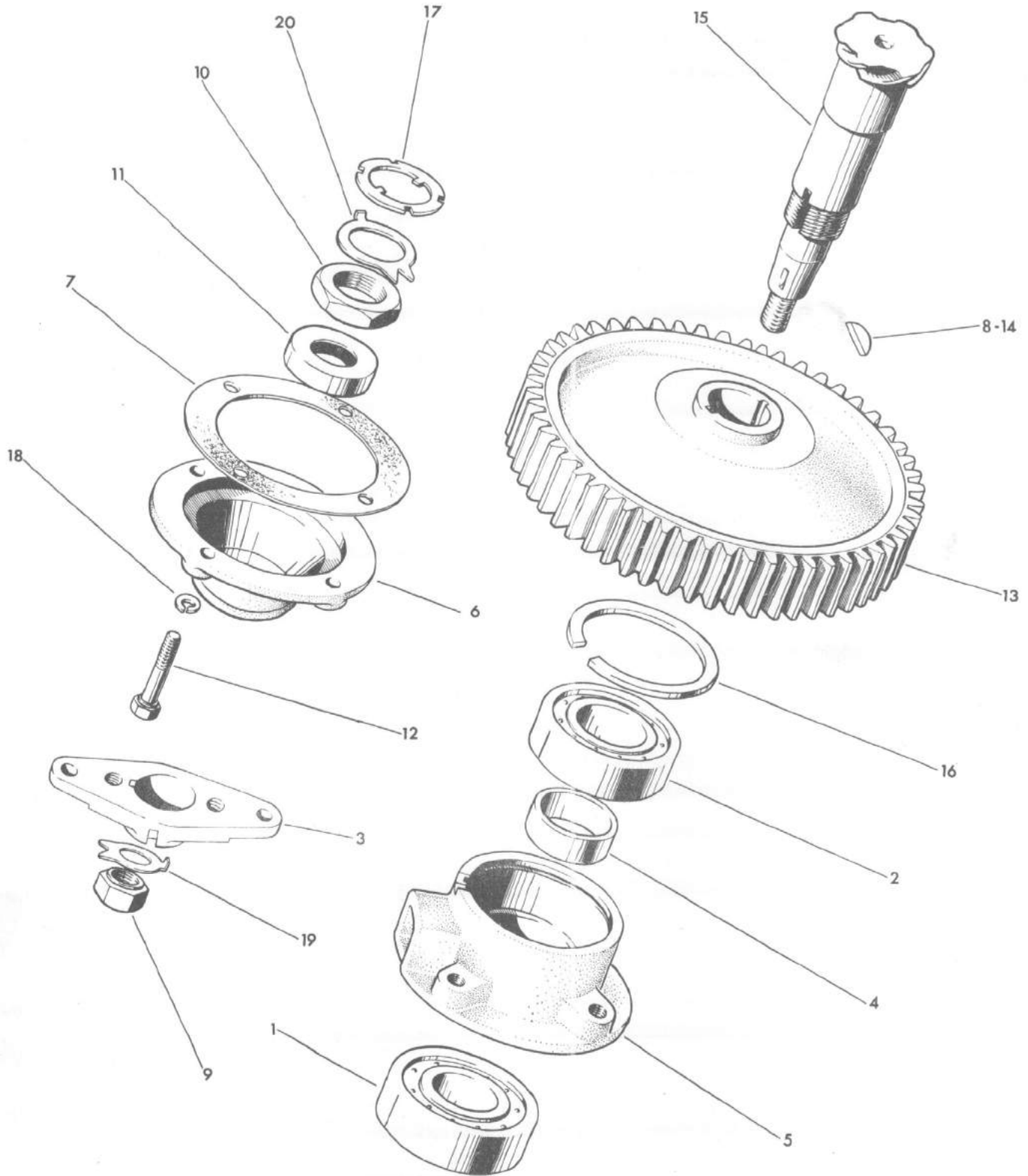
Scheme No.

ROLLS-ROYCE LIMITED 'C' RANGE ENGINES

Group 50/4

Group Title AUXILIARY DRIVE

Plate 1 Issue 2



|          |     |      |             |               |   |
|----------|-----|------|-------------|---------------|---|
| Compiled | DSE | Date | 12 · 2 · 64 | No. of plates | 1 |
|----------|-----|------|-------------|---------------|---|



# ROLLS-ROYCE LIMITED 'C' RANGE ENGINES

Group 50/4M  
Page 1 Issue 6

Group Title AUXILIARY DRIVE

| Alteration O.E.L. No.                 | Item No. | Note | Part No. | Description                                   |      |            |           |              | No. Off |   |
|---------------------------------------|----------|------|----------|---|------|------------|-----------|--------------|---------|---|
|                                       |          |      |          | 1   | 2    | 3          | 4         | 5            |         |   |
|                                       | 1        |      | OE 16310 | Bearing                                       | -    | ball       | 35mm      | by 72mm      | by 17mm | 1 |
|                                       | 2        |      | OE 939   | Bearing                                       | -    | roller     | 35mm      | by 72mm      | by 17mm | 1 |
|                                       |          | D    | OE 16303 | Coupling                                      |      |            |           |              |         | 1 |
| 10493                                 | 3        | E    | OE 32538 | Coupling                                      |      |            |           |              |         | 1 |
|                                       | 4        |      | OE 16306 | Distance piece                                |      |            |           |              |         | 1 |
|                                       | 5        |      | OE 16305 | Housing bearings                              |      |            |           |              |         | 1 |
|                                       | 6        |      | OE 16304 | Housing                                       | -    | oil seal   |           |              |         | 1 |
|                                       | 7        |      | OE 2326  | Joint   |      |            |           |              |         | 1 |
|                                       | 8        |      |          | Key   | -    | "Woodruff" |           |              |         | 1 |
|                                       |          | A    | OE 2058  |   |      |            | .156      | wide         | )       |   |
|                                       |          | A    | OE 2059  |   |      |            | .1565     | wide         | )       |   |
|                                       |          | A    | OE 2060  |   |      |            | .157      | wide         | (       |   |
|                                       |          | A    | OE 2061  |   |      |            | .1575     | wide         | )       |   |
|                                       | 9        |      | OE 2432  | Nut   | -    | lock       |           |              |         | 1 |
|                                       | 10       |      | OE 16307 | Nut   | -    | lock       |           |              |         | 1 |
| 5658                                  | 11       | C    | OE 23235 | Oil seal                                      |      |            |           |              |         | 1 |
| 5658                                  |          | C    | OE 23236 | Oil seal                                      |      |            |           |              |         | 1 |
|                                       | 12       |      | UF 1506  | Setscrew                                      | .312 | dia.       | by 1.250  |              |         | 4 |
|                                       |          |      | OE 21734 | Shaft and gear assembly                       |      |            |           |              |         | 1 |
| 8316                                  | 13       |      | OE 28063 | + Gear  |      |            |           |              |         | 1 |
| Items marked + not supplied as spares |          |      |          | Compiled                                      | DWN  | Date       | 10.12.63. | No. of pages | 2       |   |
| Alteration O.E.L.                     |          |      |          | Notes   |      |            |           |              |         |   |
| 8052                                  |          |      |          | A Alternatives - select to suit               |      |            |           |              |         |   |
| 9779                                  |          |      |          | C Alternatives                                |      |            |           |              |         |   |
|                                       |          |      |          | E To replace D when stocks of D are exhausted |      |            |           |              |         |   |
| Scheme No.                            |          |      |          |   |      |            |           |              |         |   |



ROLLS-ROYCE LIMITED 'C' RANGE ENGINES

|       |           |
|-------|-----------|
| Group | 50/4M     |
| Page  | 2 Issue 6 |

AUXILIARY DRIVE

Group Title

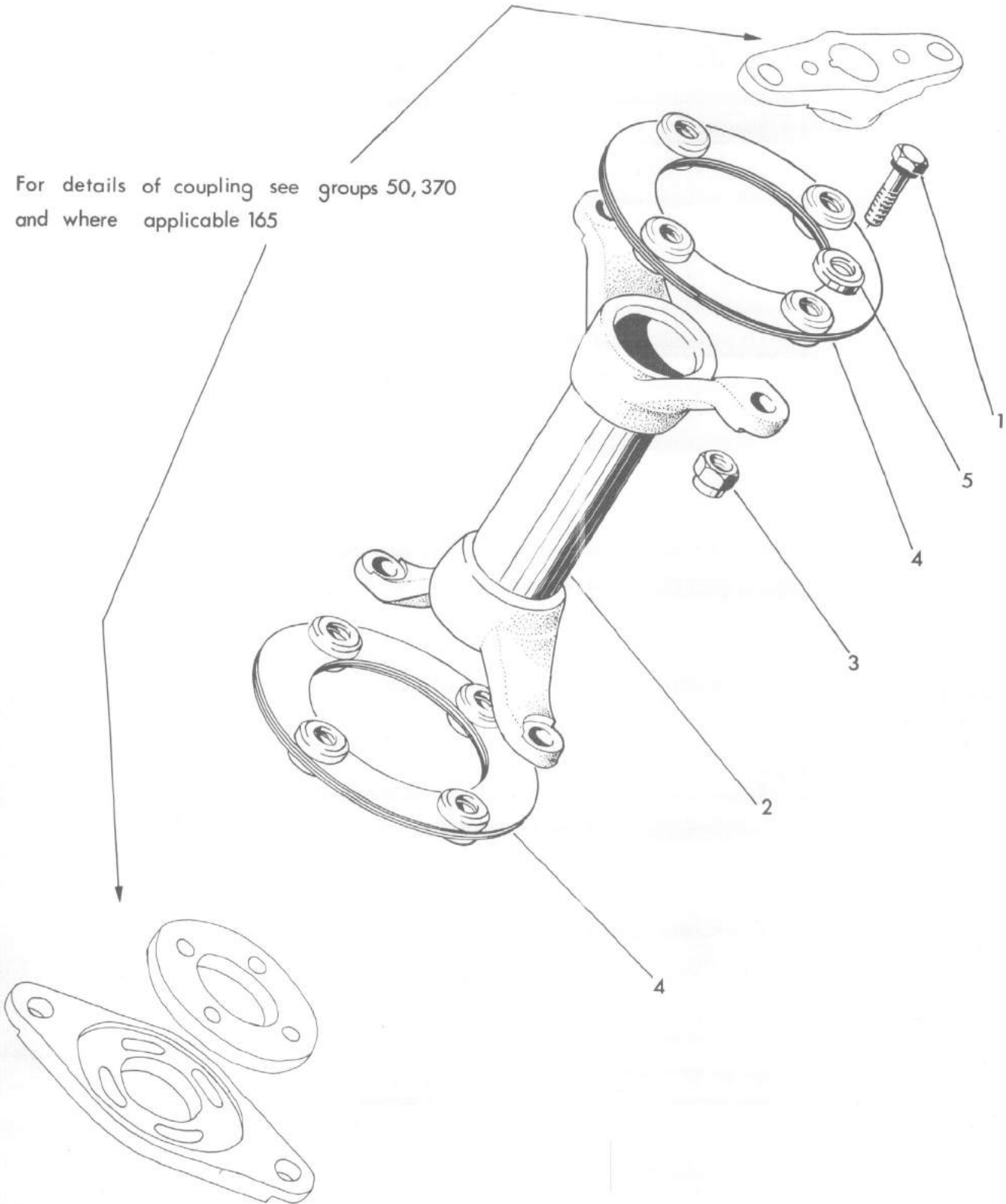
| Alteration O.E.L. No. | Item No. | Note | Part No. | Description |   |   |   |                          | No. Off |
|-----------------------|----------|------|----------|-------------|---|---|---|--------------------------|---------|
|                       |          |      |          | 1           | 2 | 3 | 4 | 5                        |         |
| 8223                  | 14       |      |          |             |   |   |   | Key - "Woodruff"         | 2       |
|                       |          | A    | OE 2058  |             |   |   |   | .156 wide                |         |
|                       |          | A    | OE 2059  |             |   |   |   | .1565 wide               |         |
|                       |          | A    | OE 2060  |             |   |   |   | .157 wide                |         |
|                       |          | A    | OE 2061  |             |   |   |   | .1575 wide               |         |
|                       | 15       |      | OE 16312 |             |   |   |   | + Shaft                  | 1       |
|                       | 16       |      | OE 9818  |             |   |   |   | Spring ring              | 1       |
|                       | 17       |      | KB 7512  |             |   |   |   | Washer - key 1.175 i/d   | 1       |
|                       | 18       |      | ST 16259 |             |   |   |   | Washer - spring .312 i/d | 4       |
|                       | 19       |      | OE 5858  |             |   |   |   | Washer - tab             | 1       |
|                       | 20       |      | OE 16308 |             |   |   |   | Washer - tab             | 1       |
|                       |          |      |          |             |   |   |   |                          |         |
|                       |          |      |          |             |   |   |   |                          |         |
|                       |          |      |          |             |   |   |   |                          |         |
|                       |          |      |          |             |   |   |   |                          |         |
|                       |          |      |          |             |   |   |   |                          |         |
|                       |          |      |          |             |   |   |   |                          |         |
|                       |          |      |          |             |   |   |   |                          |         |
|                       |          |      |          |             |   |   |   |                          |         |
|                       |          |      |          |             |   |   |   |                          |         |
|                       |          |      |          |             |   |   |   |                          |         |
|                       |          |      |          |             |   |   |   |                          |         |
|                       |          |      |          |             |   |   |   |                          |         |
|                       |          |      |          |             |   |   |   |                          |         |
|                       |          |      |          |             |   |   |   |                          |         |
|                       |          |      |          |             |   |   |   |                          |         |
|                       |          |      |          |             |   |   |   |                          |         |
|                       |          |      |          |             |   |   |   |                          |         |
|                       |          |      |          |             |   |   |   |                          |         |
|                       |          |      |          |             |   |   |   |                          |         |

|                                       |  |  |                                 |     |      |          |              |   |
|---------------------------------------|--|--|---------------------------------|-----|------|----------|--------------|---|
| Items marked + not supplied as spares |  |  | Compiled                        | DWN | Date | 21.9.64. | No. of pages | 2 |
| Alteration O.E.L.                     |  |  | Notes                           |     |      |          |              |   |
| 5658                                  |  |  | A Alternatives - select to suit |     |      |          |              |   |
| 7078                                  |  |  |                                 |     |      |          |              |   |
| 8316                                  |  |  |                                 |     |      |          |              |   |
| 10416                                 |  |  |                                 |     |      |          |              |   |
| Scheme No.                            |  |  |                                 |     |      |          |              |   |

Group Title

AUXILIARY DRIVE COUPLING

For details of coupling see groups 50, 370  
and where applicable 165



|          |     |      |           |               |   |
|----------|-----|------|-----------|---------------|---|
| Compiled | BLW | Date | 25. 5. 64 | No. of plates | 1 |
|----------|-----|------|-----------|---------------|---|

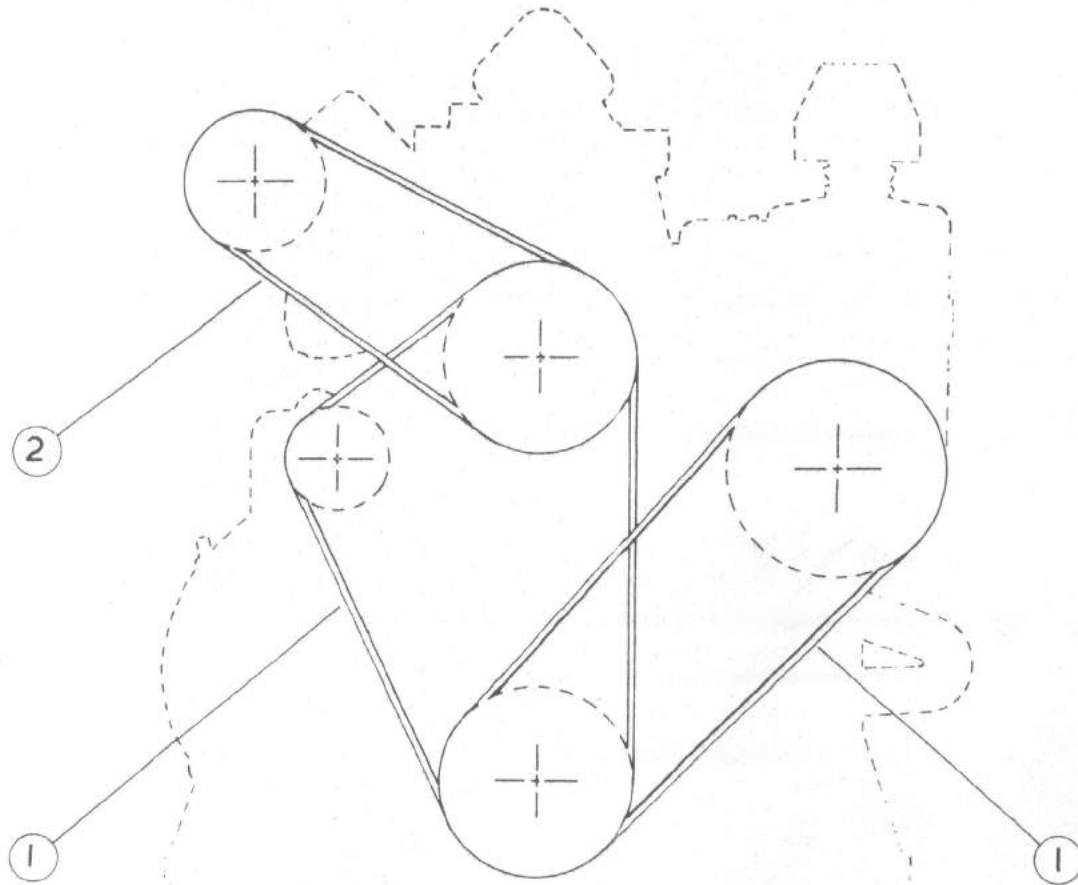
# ROLLS-ROYCE LIMITED 'C' RANGE ENGINES

|                |
|----------------|
| Group 51/1M    |
| Page 1 Issue 6 |

Group Title     **AUXILIARY DRIVE COUPLING**

| Alteration O.E.L. No. | Item No. | Note | Part No. |               |           |          |     |      | Description | No. Off |
|-----------------------|----------|------|----------|---------------|-----------|----------|-----|------|-------------|---------|
|                       |          |      |          | 1             | 2         | 3        | 4   | 5    |             |         |
|                       | 1        |      | OE.23634 | Bolt          | .312      | dia      | by  | 1.25 |             | 6       |
|                       | 2        | A    | OE.4931  | Drive         | shaft     | assembly |     |      |             | 1       |
| 10493                 |          | B    | OE.32534 | Drive         | shaft     | assembly |     |      |             | 1       |
|                       |          | A    | OE.2339  | + Flange      |           |          |     |      |             | 2       |
| 10493                 |          | B    | OE.32542 | + Flange      |           |          |     |      |             | 2       |
|                       |          |      | OE.4930  | + Shaft       |           |          |     |      |             | 1       |
|                       | 3        |      | OE.23642 | Nut - 'Nyloc' | .312      | dia      |     |      |             | 6       |
| 8127                  | 4        |      | OE.2333  | Spring        | plate     | assembly |     |      |             | 2       |
|                       |          |      | OE.2335  | + Distance    | piece     |          |     |      |             | 16      |
|                       |          |      | OE.2336  | + Retaining   | tube      |          |     |      |             | 8       |
|                       |          |      | OE.2334  | + Spring      | plate     |          |     |      |             | 8       |
|                       | 5        |      | OE.23589 | Washer -      | chamfered | .312     | 1/d |      |             | 6       |
|                       |          |      |          |               |           |          |     |      |             |         |
|                       |          |      |          |               |           |          |     |      |             |         |
|                       |          |      |          |               |           |          |     |      |             |         |
|                       |          |      |          |               |           |          |     |      |             |         |
|                       |          |      |          |               |           |          |     |      |             |         |
|                       |          |      |          |               |           |          |     |      |             |         |
|                       |          |      |          |               |           |          |     |      |             |         |
|                       |          |      |          |               |           |          |     |      |             |         |
|                       |          |      |          |               |           |          |     |      |             |         |
|                       |          |      |          |               |           |          |     |      |             |         |
|                       |          |      |          |               |           |          |     |      |             |         |
|                       |          |      |          |               |           |          |     |      |             |         |
|                       |          |      |          |               |           |          |     |      |             |         |

|                                       |  |          |   |      |          |              |   |
|---------------------------------------|--|----------|---|------|----------|--------------|---|
| Items marked + not supplied as spares |  | Compiled | SS  | Date | 10-12-63 | No. of pages | 1 |
| Alteration O.E.L.                     |  |          | Notes   |      |          |              |   |
| 5801                                  |  |          | B To replace A when stocks of A are exhausted |      |          |              |   |
| 6009                                  |  |          |   |      |          |              |   |
| 10486                                 |  |          |   |      |          |              |   |
| Scheme No.                            |  |          |   |      |          |              |   |



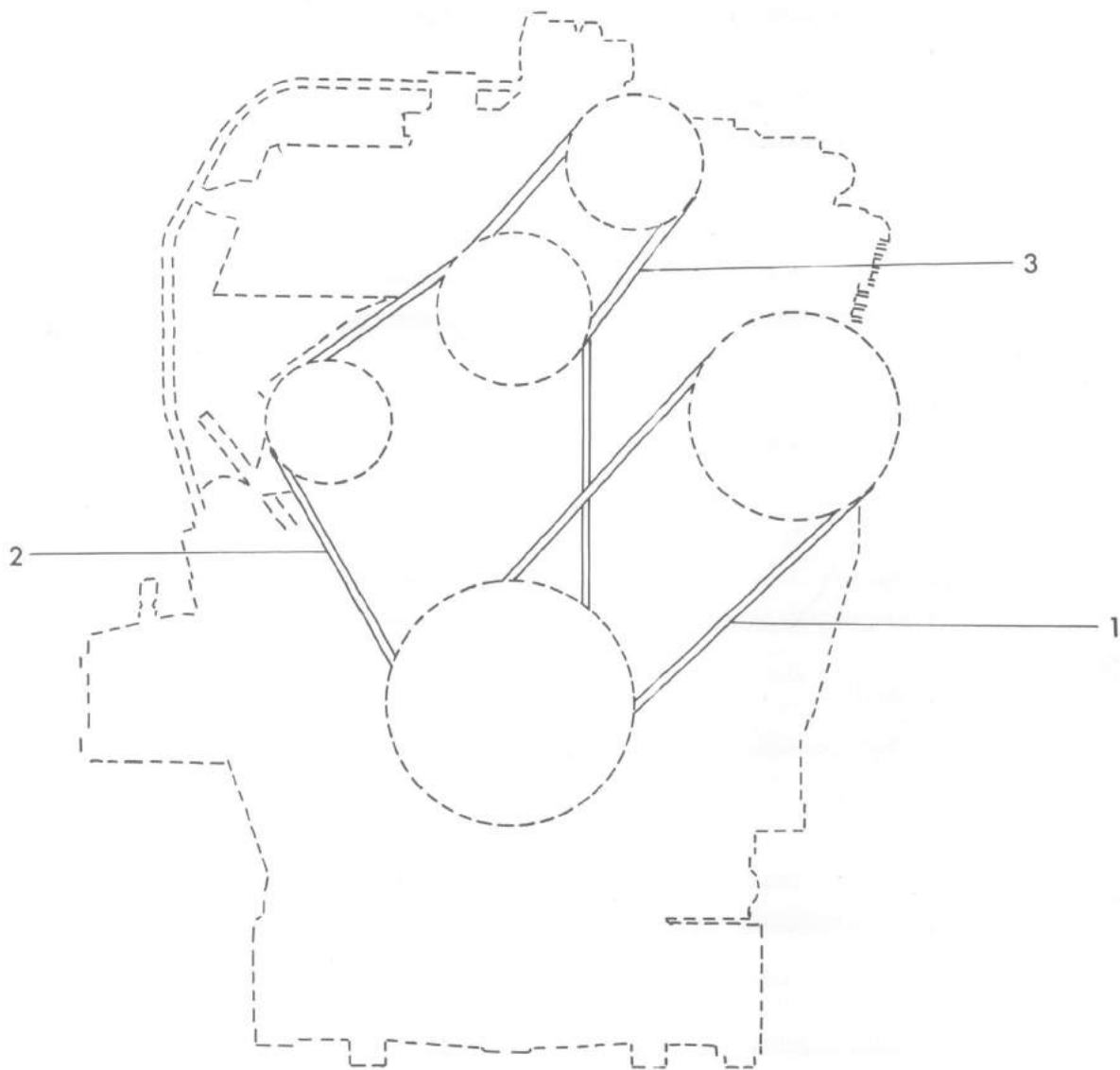
ROLLS-ROYCE LIMITED 'C' RANGE ENGINES

Group 70/135M  
 Page 1 Issue 2

Group Title BELTS (Driving)

| Alteration O.E.L No. | Item No. | Note | Part No. | Description |   |                       |   |       | No. Off |
|----------------------|----------|------|----------|-------------|---|-----------------------|---|-------|---------|
|                      |          |      |          | 1           | 2 | 3                     | 4 | 5     |         |
| I0086                | 1        |      | ST 40610 | Belt        | - | compressor            | - | PA.61 | 2       |
| I0086                | 2        |      | ST 40610 | Belt        | - | fan and dynamo        | - | PA.61 | 3       |
| I0086                | 3        |      | ST 40340 | Belt        | - | converter charge pump | - | PA34  | 1       |
|                      |          |      |          |             |   |                       |   |       |         |
|                      |          |      |          |             |   |                       |   |       |         |
|                      |          |      |          |             |   |                       |   |       |         |
|                      |          |      |          |             |   |                       |   |       |         |
|                      |          |      |          |             |   |                       |   |       |         |
|                      |          |      |          |             |   |                       |   |       |         |
|                      |          |      |          |             |   |                       |   |       |         |
|                      |          |      |          |             |   |                       |   |       |         |
|                      |          |      |          |             |   |                       |   |       |         |
|                      |          |      |          |             |   |                       |   |       |         |
|                      |          |      |          |             |   |                       |   |       |         |
|                      |          |      |          |             |   |                       |   |       |         |
|                      |          |      |          |             |   |                       |   |       |         |
|                      |          |      |          |             |   |                       |   |       |         |
|                      |          |      |          |             |   |                       |   |       |         |
|                      |          |      |          |             |   |                       |   |       |         |
|                      |          |      |          |             |   |                       |   |       |         |
|                      |          |      |          |             |   |                       |   |       |         |
|                      |          |      |          |             |   |                       |   |       |         |
|                      |          |      |          |             |   |                       |   |       |         |
|                      |          |      |          |             |   |                       |   |       |         |
|                      |          |      |          |             |   |                       |   |       |         |
|                      |          |      |          |             |   |                       |   |       |         |
|                      |          |      |          |             |   |                       |   |       |         |

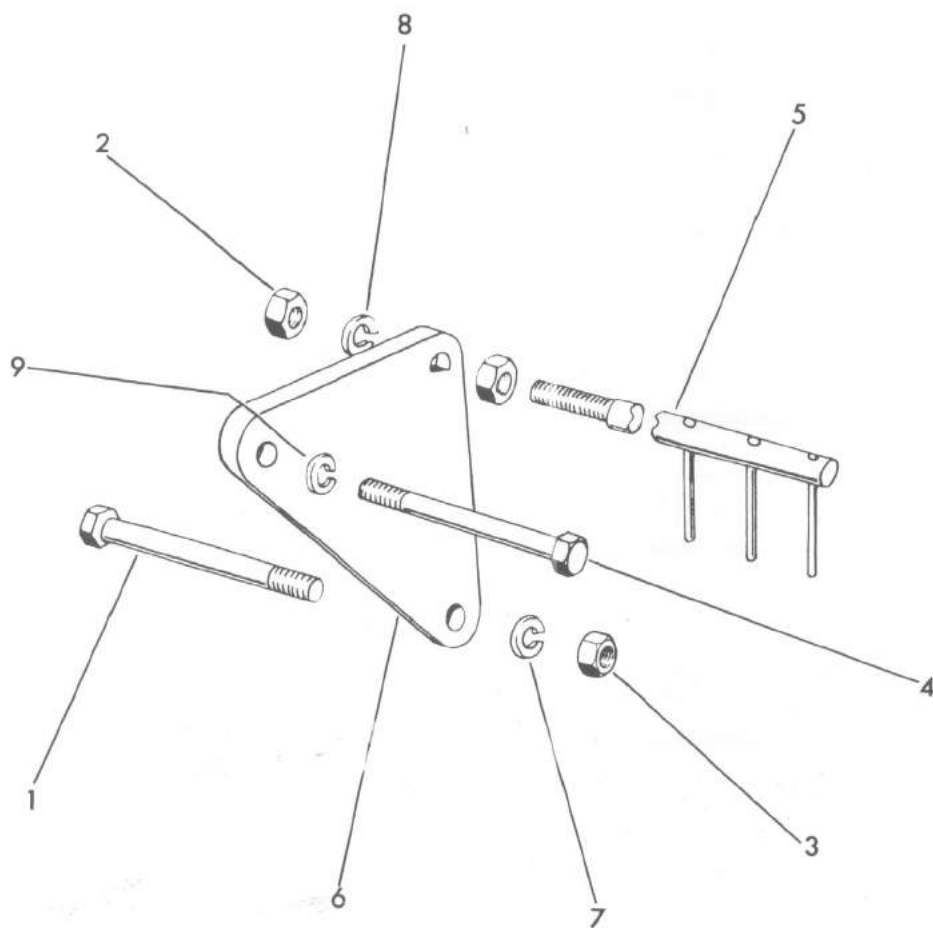
|                                       |          |    |       |          |              |   |
|---------------------------------------|----------|----|-------|----------|--------------|---|
| Items marked + not supplied as spares | Compiled | GP | Date  | 15.5.63. | No. of pages | 1 |
| Alteration O.E.L.                     |          |    | Notes |          |              |   |
|                                       |          |    |       |          |              |   |
|                                       |          |    |       |          |              |   |
|                                       |          |    |       |          |              |   |
| Scheme No.                            |          |    |       |          |              |   |



|          |     |      |            |               |   |
|----------|-----|------|------------|---------------|---|
| Compiled | KGS | Date | 9 · 7 · 64 | No. of plates | 1 |
|----------|-----|------|------------|---------------|---|

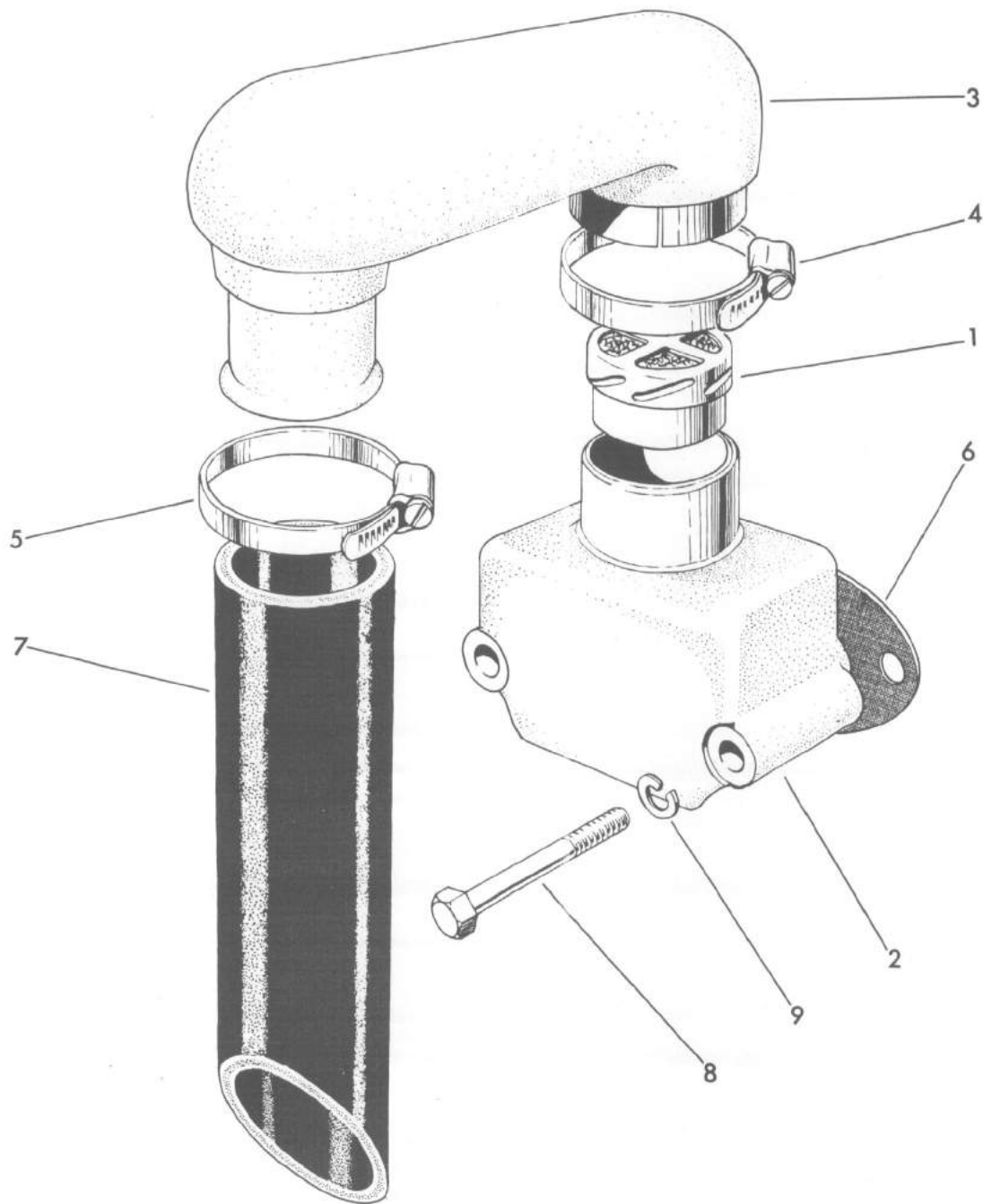






|          |    |      |         |               |   |
|----------|----|------|---------|---------------|---|
| Compiled | RM | Date | 14.4.64 | No. of plates | 1 |
|----------|----|------|---------|---------------|---|





# ROLLS-ROYCE LIMITED 'C' RANGE ENGINES

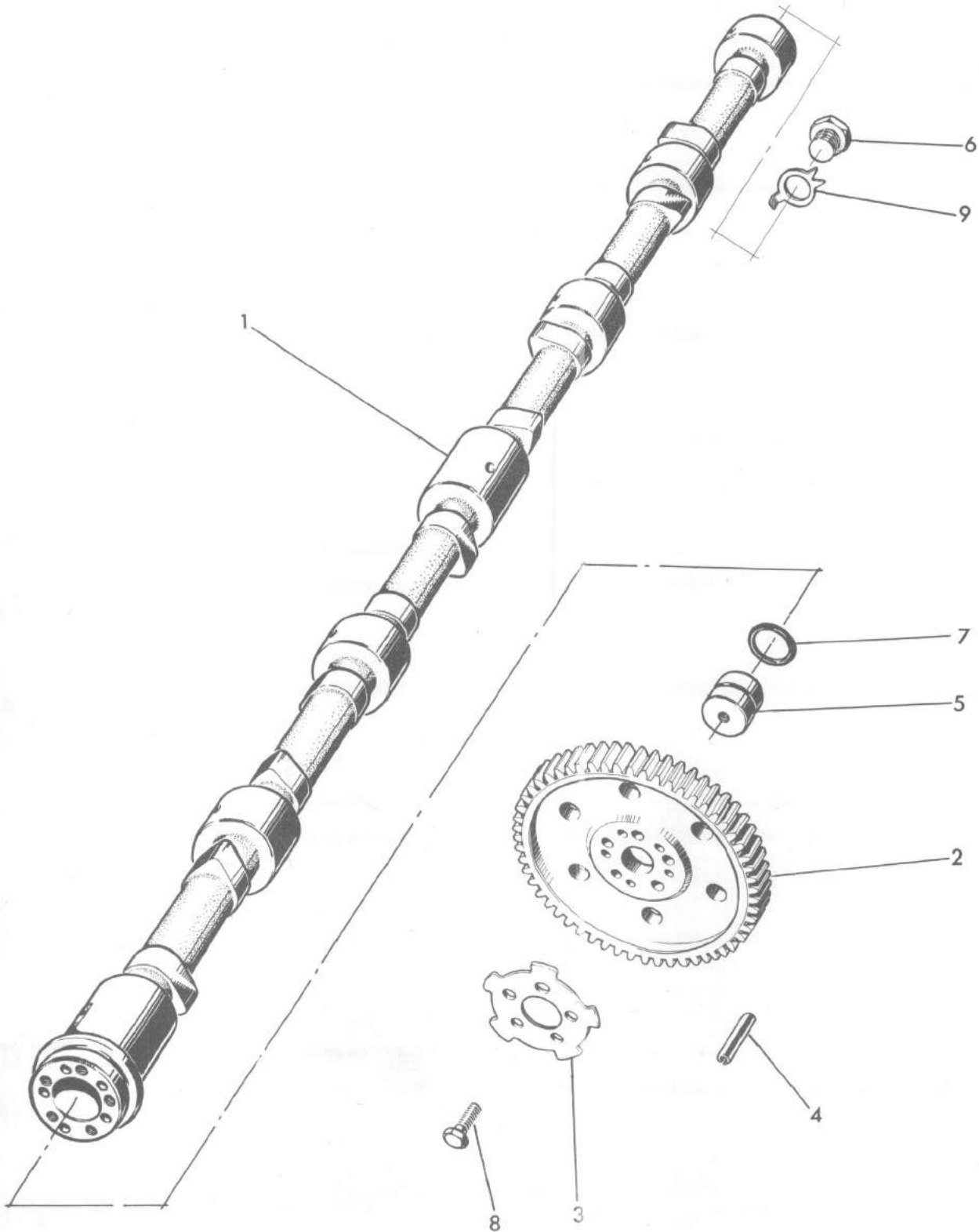
|       |           |
|-------|-----------|
| Group | 100/30M   |
| Page  | 1 Issue 3 |

Group Title BREATHER (Engine)

| Alteration<br>O.E.L.<br>No. | Item<br>No. | Note | Part No. | Description                           |   |   |   |   | No.<br>Off |
|-----------------------------|-------------|------|----------|---------------------------------------|---|---|---|---|------------|
|                             |             |      |          | 1                                     | 2 | 3 | 4 | 5 |            |
|                             | 1           |      | OE 8608  | Breather filter                       |   |   |   |   | 1          |
|                             | 2           |      | OE 27068 | Body                                  |   |   |   |   | 1          |
|                             | 3           |      | OE 27069 | Cap                                   |   |   |   |   | 1          |
|                             | 4           |      | OE 2283  | Clip                                  |   |   |   |   | 1          |
|                             | 5           |      | OE 7229  | Clip                                  |   |   |   |   | 1          |
| 10573                       |             | D    | OE 206   | Joint                                 |   |   |   |   | 1          |
|                             | 6           | C    | OE 3836  | Joint - body to tappet cover          |   |   |   |   | 1          |
|                             |             | B    | UF 4355  | Nut - plain .375 dia.                 |   |   |   |   | 2          |
|                             | 7           |      | OE 27132 | Pipe                                  |   |   |   |   | 1          |
| 10009                       |             | A    | UF 1567  | Setscrew .375 dia. by 3.250           |   |   |   |   | 2          |
|                             |             | B    | UF 2762  | Stud .375 dia. by 4.00 - tappet cover |   |   |   |   | 2          |
|                             | 9           |      | ST 16260 | Washer - spring                       |   |   |   |   | 2          |
|                             |             |      |          |                                       |   |   |   |   |            |
|                             |             |      |          |                                       |   |   |   |   |            |
|                             |             |      |          |                                       |   |   |   |   |            |
|                             |             |      |          |                                       |   |   |   |   |            |
|                             |             |      |          |                                       |   |   |   |   |            |
|                             |             |      |          |                                       |   |   |   |   |            |
|                             |             |      |          |                                       |   |   |   |   |            |
|                             |             |      |          |                                       |   |   |   |   |            |
|                             |             |      |          |                                       |   |   |   |   |            |
|                             |             |      |          |                                       |   |   |   |   |            |
|                             |             |      |          |                                       |   |   |   |   |            |
|                             |             |      |          |                                       |   |   |   |   |            |
|                             |             |      |          |                                       |   |   |   |   |            |
|                             |             |      |          |                                       |   |   |   |   |            |
|                             |             |      |          |                                       |   |   |   |   |            |
|                             |             |      |          |                                       |   |   |   |   |            |
|                             |             |      |          |                                       |   |   |   |   |            |
|                             |             |      |          |                                       |   |   |   |   |            |

|                                       |  |    |      |         |              |   |
|---------------------------------------|--|----|------|---------|--------------|---|
| Items marked + not supplied as spares | Compiled   | GP | Date | 24.1.64 | No. of pages | 1 |
| Alteration O.E.L.                     | Notes  |    |      |         |              |   |
|                                       | A use when helicoil inserts are fitted to tappet cover |    |      |         |              |   |
|                                       | B Use when helicoil are not fitted.                    |    |      |         |              |   |
|                                       | D to replace C when stocks of C are exhausted.         |    |      |         |              |   |
| Scheme No.                            |  |    |      |         |              |   |





|          |     |      |        |               |   |
|----------|-----|------|--------|---------------|---|
| Compiled | PHJ | Date | 7.4.64 | No. of plates | 1 |
|----------|-----|------|--------|---------------|---|

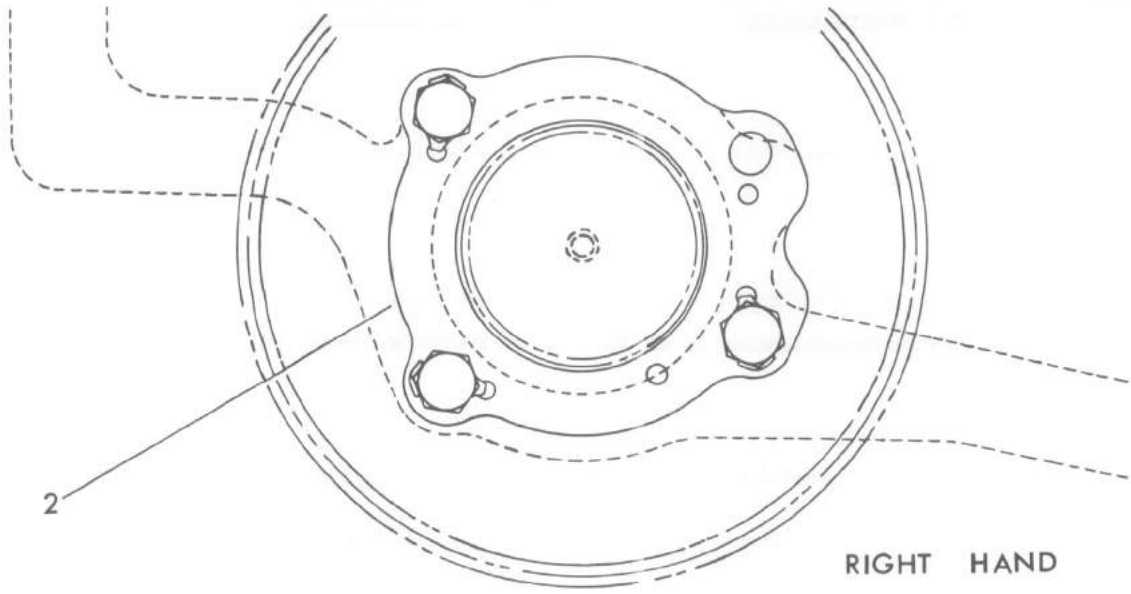
# ROLLS-ROYCE LIMITED 'C' RANGE ENGINES

Group 110/1M  
Page 1 Issue 8

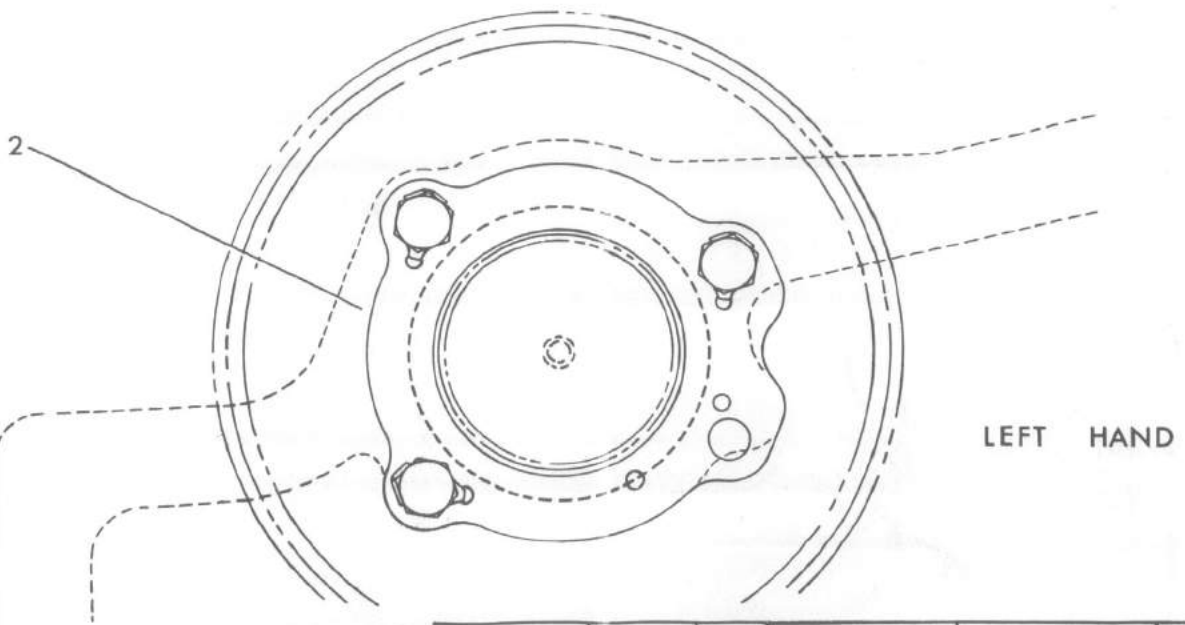
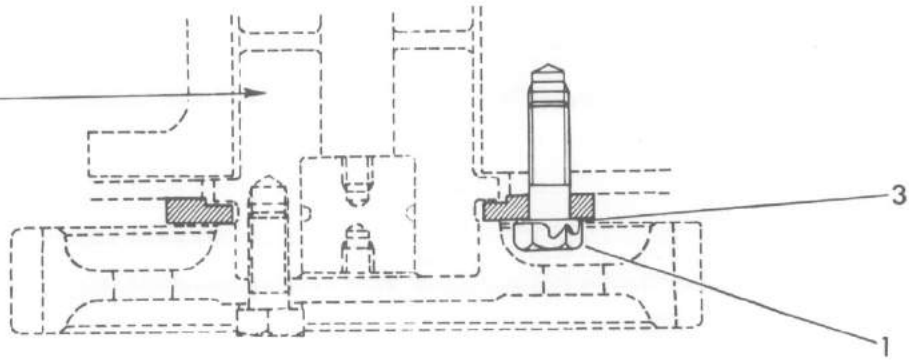
Group Title CAMSHAFT

| Alteration O.E.L No. | Item No. | Note | Part No. |   |   |   |   |   | Description                | No. Off |
|----------------------|----------|------|----------|---|---|---|---|---|----------------------------|---------|
|                      |          |      |          | 1 | 2 | 3 | 4 | 5 |                            |         |
|                      | 1        |      | OE 7851  |   |   |   |   |   | Camshaft                   | 1       |
| 8316                 | 2        |      | OE 28061 |   |   |   |   |   | Gear                       | 1       |
|                      | 3        |      | OE 6870  |   |   |   |   |   | Lockplate                  | 1       |
|                      | 4        |      | OE 4421  |   |   |   |   |   | Pin                        | 5       |
|                      | 5        |      | OE 2244  |   |   |   |   |   | Plug - front end           | 1       |
| 10132                | 6        |      | OE 2245  |   |   |   |   |   | Plug - rear end            | 1       |
| 7457                 | 7        |      | KB 16611 |   |   |   |   |   | Sealing ring .950 i/d      | 1       |
|                      | 8        |      | OE 4391  |   |   |   |   |   | Setscrew .437 dia. by 1.00 | 5       |
|                      | 9        |      | KB 7116  |   |   |   |   |   | Washer - tab .875 i/d      | 1       |
|                      |          |      |          |   |   |   |   |   |                            |         |
|                      |          |      |          |   |   |   |   |   |                            |         |
|                      |          |      |          |   |   |   |   |   |                            |         |
|                      |          |      |          |   |   |   |   |   |                            |         |
|                      |          |      |          |   |   |   |   |   |                            |         |
|                      |          |      |          |   |   |   |   |   |                            |         |
|                      |          |      |          |   |   |   |   |   |                            |         |
|                      |          |      |          |   |   |   |   |   |                            |         |
|                      |          |      |          |   |   |   |   |   |                            |         |
|                      |          |      |          |   |   |   |   |   |                            |         |
|                      |          |      |          |   |   |   |   |   |                            |         |
|                      |          |      |          |   |   |   |   |   |                            |         |
|                      |          |      |          |   |   |   |   |   |                            |         |
|                      |          |      |          |   |   |   |   |   |                            |         |
|                      |          |      |          |   |   |   |   |   |                            |         |
|                      |          |      |          |   |   |   |   |   |                            |         |
|                      |          |      |          |   |   |   |   |   |                            |         |

|                                       |     |  |          |     |      |          |              |   |
|---------------------------------------|-----|--|----------|-----|------|----------|--------------|---|
| Items marked + not supplied as spares |     |  | Compiled | DWN | Date | 3, 2, 64 | No. of pages | 1 |
| Alteration O.E.L.                     |     |  | Notes    |     |      |          |              |   |
| 5617                                  |     |  |          |     |      |          |              |   |
| 9779                                  |     |  |          |     |      |          |              |   |
| 10009                                 |     |  |          |     |      |          |              |   |
| 10062                                 | M12 |  |          |     |      |          |              |   |
| Scheme No.                            |     |  |          |     |      |          |              |   |



For camshaft  
see group 110



|          |    |      |         |               |   |
|----------|----|------|---------|---------------|---|
| Compiled | RW | Date | 17.2.64 | No. of plates | 1 |
|----------|----|------|---------|---------------|---|

ROLLS-ROYCE LIMITED 'C' RANGE ENGINES

Group 111/3M  
 Page 1 Issue 3

Group Title CAMSHAFT THRUST PAD

| Alteration O.E.L No. | Item No. | Note | Part No. |   |   |   |   |   | Description                | No. Off |
|----------------------|----------|------|----------|---|---|---|---|---|----------------------------|---------|
|                      |          |      |          | 1 | 2 | 3 | 4 | 5 |                            |         |
| 10631                | 1        |      | UF 1604  |   |   |   |   |   | Setscrew .437 dia. by 1.25 | 4       |
|                      | 2        |      | OE 23424 |   |   |   |   |   | Thrust plate               | 1       |
| 10631                | 3        |      | KU 10009 |   |   |   |   |   | Washer - tab .437 dia.     | 4       |
|                      |          |      |          |   |   |   |   |   |                            |         |
|                      |          |      |          |   |   |   |   |   |                            |         |
|                      |          |      |          |   |   |   |   |   |                            |         |
|                      |          |      |          |   |   |   |   |   |                            |         |
|                      |          |      |          |   |   |   |   |   |                            |         |
|                      |          |      |          |   |   |   |   |   |                            |         |
|                      |          |      |          |   |   |   |   |   |                            |         |
|                      |          |      |          |   |   |   |   |   |                            |         |
|                      |          |      |          |   |   |   |   |   |                            |         |
|                      |          |      |          |   |   |   |   |   |                            |         |
|                      |          |      |          |   |   |   |   |   |                            |         |
|                      |          |      |          |   |   |   |   |   |                            |         |
|                      |          |      |          |   |   |   |   |   |                            |         |
|                      |          |      |          |   |   |   |   |   |                            |         |
|                      |          |      |          |   |   |   |   |   |                            |         |
|                      |          |      |          |   |   |   |   |   |                            |         |
|                      |          |      |          |   |   |   |   |   |                            |         |
|                      |          |      |          |   |   |   |   |   |                            |         |
|                      |          |      |          |   |   |   |   |   |                            |         |
|                      |          |      |          |   |   |   |   |   |                            |         |
|                      |          |      |          |   |   |   |   |   |                            |         |

|                                       |  |          |       |      |         |              |   |
|---------------------------------------|--|----------|-------|------|---------|--------------|---|
| Items marked + not supplied as spares |  | Compiled | PS    | Date | 3.9.64. | No. of pages | 1 |
| Alteration O.E.L.                     |  |          | Notes |      |         |              |   |
| 10416                                 |  |          |       |      |         |              |   |
|                                       |  |          |       |      |         |              |   |
|                                       |  |          |       |      |         |              |   |
| Scheme NoOB. 1039                     |  |          |       |      |         |              |   |

# ROLLS-ROYCE LIMITED 'C' RANGE ENGINES

Group 141/8M  
Page 1 Issue 2

Group Title

CLUTCH SHAFT SPIGOT BEARING

| Alteration O.E.L No. | Item No. | Note | Part No. |   |   |   |   |   | Description                         | No. Off |
|----------------------|----------|------|----------|---|---|---|---|---|-------------------------------------|---------|
|                      |          |      |          | 1 | 2 | 3 | 4 | 5 |                                     |         |
|                      | 1        |      | OE 17994 |   |   |   |   |   | Distance piece                      | 1       |
|                      | 2        |      | OE 5144  |   |   |   |   |   | Retaining plate                     | 1       |
|                      | 3        |      | OE 17995 |   |   |   |   |   | Spigot bearing 30mm by 80mm by 21mm | 1       |
|                      | 4        |      | UF 1553  |   |   |   |   |   | Setscrew .375 dia. by .875          | 4       |
|                      | 5        |      | KU 10008 |   |   |   |   |   | Washer - tab .375 i/d               | 4       |
|                      |          |      |          |   |   |   |   |   |                                     |         |
|                      |          |      |          |   |   |   |   |   |                                     |         |
|                      |          |      |          |   |   |   |   |   |                                     |         |
|                      |          |      |          |   |   |   |   |   |                                     |         |
|                      |          |      |          |   |   |   |   |   |                                     |         |
|                      |          |      |          |   |   |   |   |   |                                     |         |
|                      |          |      |          |   |   |   |   |   |                                     |         |
|                      |          |      |          |   |   |   |   |   |                                     |         |
|                      |          |      |          |   |   |   |   |   |                                     |         |
|                      |          |      |          |   |   |   |   |   |                                     |         |
|                      |          |      |          |   |   |   |   |   |                                     |         |
|                      |          |      |          |   |   |   |   |   |                                     |         |
|                      |          |      |          |   |   |   |   |   |                                     |         |
|                      |          |      |          |   |   |   |   |   |                                     |         |
|                      |          |      |          |   |   |   |   |   |                                     |         |
|                      |          |      |          |   |   |   |   |   |                                     |         |
|                      |          |      |          |   |   |   |   |   |                                     |         |
|                      |          |      |          |   |   |   |   |   |                                     |         |
|                      |          |      |          |   |   |   |   |   |                                     |         |
|                      |          |      |          |   |   |   |   |   |                                     |         |
|                      |          |      |          |   |   |   |   |   |                                     |         |
|                      |          |      |          |   |   |   |   |   |                                     |         |
|                      |          |      |          |   |   |   |   |   |                                     |         |
|                      |          |      |          |   |   |   |   |   |                                     |         |
|                      |          |      |          |   |   |   |   |   |                                     |         |
|                      |          |      |          |   |   |   |   |   |                                     |         |
|                      |          |      |          |   |   |   |   |   |                                     |         |
|                      |          |      |          |   |   |   |   |   |                                     |         |
|                      |          |      |          |   |   |   |   |   |                                     |         |
|                      |          |      |          |   |   |   |   |   |                                     |         |

Items marked + not supplied as spares    Compiled    GP    Date 15.1.64.    No. of pages 1

Alteration O.E.L.    Notes

*Handwritten initials*

|       |  |  |  |  |  |  |  |  |  |
|-------|--|--|--|--|--|--|--|--|--|
| 10557 |  |  |  |  |  |  |  |  |  |
|       |  |  |  |  |  |  |  |  |  |
|       |  |  |  |  |  |  |  |  |  |

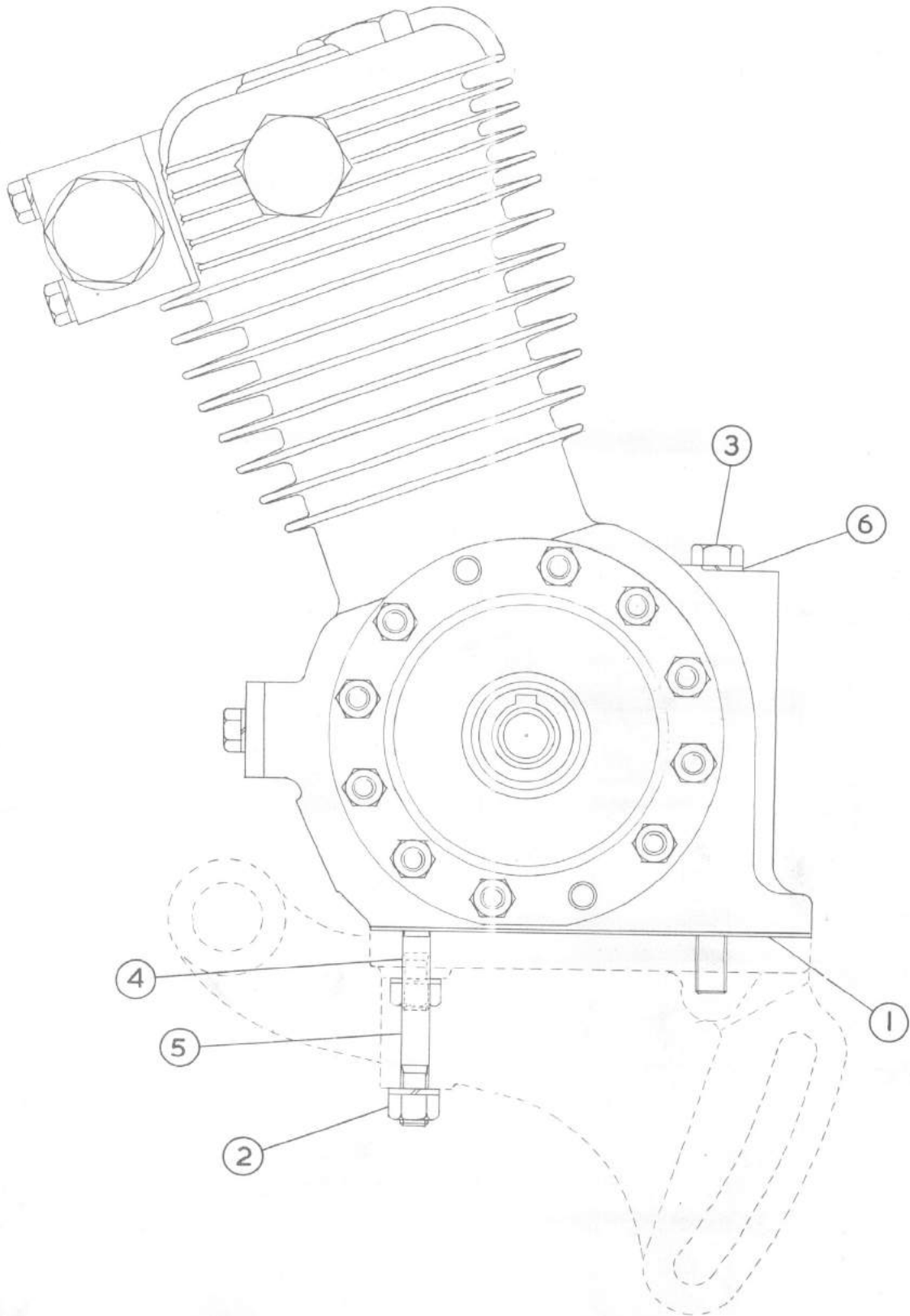
Scheme No.



ROLLS-ROYCE LIMITED 'C' RANGE ENGINES

Group Title            COMPRESSOR    (or Exhauster)

|       |        |
|-------|--------|
| Group | 160/20 |
| Plate | I      |
| Issue | I      |



ROLLS-ROYCE LIMITED 'C' RANGE ENGINES

Group 160/20M  
 Page 1 Issue 1

Group Title COMPRESSOR (or Exhauster)

| Alteration O.E.L No. | Item No. | Note | Part No. | Description                             |   |   |   |   | No. Off |
|----------------------|----------|------|----------|---|---|---|---|---|---------|
|                      |          |      |          | 1                                       | 2 | 3 | 4 | 5 |         |
|                      |          |      | OE 16819 | Compressor assembly 15 C F (air cooled) |   |   |   |   | 1       |
|                      | 1        |      | OE 3995  | Joint                                   |   |   |   |   | 1       |
|                      | 2        |      | UF 4355  | Nut .375 dia.                           |   |   |   |   | 3       |
|                      | 3        |      | UF 1576  | Setscrew .375 dia. by 5.500             |   |   |   |   | 3       |
|                      | 4        |      | UF 2751  | Stud .375 dia. by 1.750                 |   |   |   |   | 1       |
|                      | 5        |      | UF 2759  | Stud .375 dia. by 3.25                  |   |   |   |   | 2       |
|                      | 6        |      | ST 16260 | Washer - spring .375 i/d                |   |   |   |   | 6       |
|                      |          |      |          |   |   |   |   |   |         |
|                      |          |      |          |   |   |   |   |   |         |
|                      |          |      |          |   |   |   |   |   |         |
|                      |          |      |          |   |   |   |   |   |         |
|                      |          |      |          |   |   |   |   |   |         |
|                      |          |      |          |   |   |   |   |   |         |
|                      |          |      |          |   |   |   |   |   |         |
|                      |          |      |          |   |   |   |   |   |         |
|                      |          |      |          |   |   |   |   |   |         |
|                      |          |      |          |   |   |   |   |   |         |
|                      |          |      |          |   |   |   |   |   |         |
|                      |          |      |          |   |   |   |   |   |         |
|                      |          |      |          |   |   |   |   |   |         |
|                      |          |      |          |   |   |   |   |   |         |
|                      |          |      |          |   |   |   |   |   |         |
|                      |          |      |          |   |   |   |   |   |         |
|                      |          |      |          |   |   |   |   |   |         |
|                      |          |      |          |   |   |   |   |   |         |
|                      |          |      |          |   |   |   |   |   |         |
|                      |          |      |          |   |   |   |   |   |         |

GP

|                                       |          |    |      |         |              |   |
|---------------------------------------|----------|----|------|---------|--------------|---|
| Items marked + not supplied as spares | Compiled | GP | Date | 7.2.63. | No. of pages | 1 |
| Alteration O.E.L.                     | Notes    |    |      |         |              |   |
|                                       |          |    |      |         |              |   |
|                                       |          |    |      |         |              |   |
|                                       |          |    |      |         |              |   |
| Scheme No.                            |          |    |      |         |              |   |

# ROLLS-ROYCE LIMITED 'C' RANGE ENGINES

Group 160/39M

Page 1 Issue 2

Group Title COMPRESSOR (or exhauster)

| Alteration<br>O.E.L<br>No. | Item<br>No. | Note | Part No. |   |   |   |   |   | Description                 | No.<br>Off |
|----------------------------|-------------|------|----------|---|---|---|---|---|-----------------------------|------------|
|                            |             |      |          | 1 | 2 | 3 | 4 | 5 |                             |            |
|                            | 1           |      | OE 32120 |   |   |   |   |   | Compressor assembly         | 1          |
| 10830                      | 2           |      | OE 31835 |   |   |   |   |   | Joint                       | 1          |
|                            | 3           |      | UF 1556  |   |   |   |   |   | Setscrew .375 dia. by 1.250 | 5          |
|                            | 4           |      | UF 1563  |   |   |   |   |   | Setscrew .375 dia. by 2.250 | 1          |
|                            | 5           |      | ST 16283 |   |   |   |   |   | Washer - grover .375 i/d    | 6          |
|                            |             |      |          |   |   |   |   |   |                             |            |
|                            |             |      |          |   |   |   |   |   |                             |            |
|                            |             |      |          |   |   |   |   |   |                             |            |
|                            |             |      |          |   |   |   |   |   |                             |            |
|                            |             |      |          |   |   |   |   |   |                             |            |
|                            |             |      |          |   |   |   |   |   |                             |            |
|                            |             |      |          |   |   |   |   |   |                             |            |
|                            |             |      |          |   |   |   |   |   |                             |            |
|                            |             |      |          |   |   |   |   |   |                             |            |
|                            |             |      |          |   |   |   |   |   |                             |            |
|                            |             |      |          |   |   |   |   |   |                             |            |
|                            |             |      |          |   |   |   |   |   |                             |            |
|                            |             |      |          |   |   |   |   |   |                             |            |
|                            |             |      |          |   |   |   |   |   |                             |            |
|                            |             |      |          |   |   |   |   |   |                             |            |
|                            |             |      |          |   |   |   |   |   |                             |            |
|                            |             |      |          |   |   |   |   |   |                             |            |
|                            |             |      |          |   |   |   |   |   |                             |            |
|                            |             |      |          |   |   |   |   |   |                             |            |
|                            |             |      |          |   |   |   |   |   |                             |            |
|                            |             |      |          |   |   |   |   |   |                             |            |
|                            |             |      |          |   |   |   |   |   |                             |            |
|                            |             |      |          |   |   |   |   |   |                             |            |
|                            |             |      |          |   |   |   |   |   |                             |            |
|                            |             |      |          |   |   |   |   |   |                             |            |
|                            |             |      |          |   |   |   |   |   |                             |            |
|                            |             |      |          |   |   |   |   |   |                             |            |
|                            |             |      |          |   |   |   |   |   |                             |            |
|                            |             |      |          |   |   |   |   |   |                             |            |
|                            |             |      |          |   |   |   |   |   |                             |            |
|                            |             |      |          |   |   |   |   |   |                             |            |

|                                       |  |  |  |          |    |      |         |              |   |
|---------------------------------------|--|--|--|----------|----|------|---------|--------------|---|
| Items marked + not supplied as spares |  |  |  | Compiled | GR | Date | 24.4.64 | No. of pages | 1 |
| Alteration O.E.L.                     |  |  |  | Notes    |    |      |         |              |   |
|                                       |  |  |  |          |    |      |         |              |   |
|                                       |  |  |  |          |    |      |         |              |   |
| Scheme No.                            |  |  |  |          |    |      |         |              |   |

gg  
82x

14. FEB. 1968

# COPY

## ROLLS-ROYCE LIMITED 'C' RANGE ENGINES

Group 160/20

Group Title **COMPRESSOR (or Exhauster)**

Page 1 Issue 2

| Alteration O.E.L. No. | Item No. | Note | Part No.                           |   |   |   |   |   | Description                | No. Off |  |
|-----------------------|----------|------|------------------------------------|---|---|---|---|---|----------------------------|---------|--|
|                       |          |      |                                    | 1 | 2 | 3 | 4 | 5 |                            |         |  |
|                       |          |      | OE 16819                           |   |   |   |   |   | Compressor assembly        | 1       |  |
|                       | 1        |      | OE 3995                            |   |   |   |   |   | Joint                      | 1       |  |
|                       | 2        |      | UF 4355                            |   |   |   |   |   | Nut - plain .375 dia.      | 3       |  |
|                       | 3        |      | UF 1576                            |   |   |   |   |   | Setscrew .375 dia. by 5.50 | 3       |  |
|                       | 4        |      | UF 2751                            |   |   |   |   |   | Stud .375 dia. by 1.750    | 1       |  |
|                       | 5        |      | UF 2759                            |   |   |   |   |   | Stud .375 dia. by 3.25     | 2       |  |
|                       | 6        |      | ST 16260                           |   |   |   |   |   | Washer - spring .375 dia.  | 6       |  |
| 11511                 |          |      | FOR SPARES AND/OR SERVICE USE ONLY |   |   |   |   |   |                            |         |  |
|                       |          |      | OE 16819                           |   |   |   |   |   | Compressor assembly        | 1       |  |
|                       | 10       |      | OE 4844                            |   |   |   |   |   | Bearing - ball             | 3       |  |
|                       |          |      | OE 4885                            |   |   |   |   |   | Connecting rod assembly    | 2       |  |
|                       | 11       |      | OE 4887                            |   |   |   |   |   | Bolt .312 dia. BSF         | 4       |  |
|                       | 12       |      | OE 4886                            |   |   |   |   |   | Bush - small end           | 2       |  |
|                       | 13       |      | OE 34396                           | + |   |   |   |   | Cap and rod                | 2       |  |
|                       | 14       |      | OE 4888                            |   |   |   |   |   | Nut slotted .312 B.S.F.    | 4       |  |
|                       | 15       |      | KB 6853                            |   |   |   |   |   | Split pin                  |         |  |
|                       | 16       |      | OE 7754                            |   |   |   |   |   | Cover - front              | 1       |  |
|                       | 17       |      | OE 4999                            |   |   |   |   |   | Cover - rear               | 1       |  |
|                       | 18       |      | OE 7758                            |   |   |   |   |   | Crankshaft                 | 1       |  |
|                       | 19       |      | OE 20733                           |   |   |   |   |   | Cylinder block assembly    | 1       |  |
|                       | 20       |      | OE 7769                            |   |   |   |   |   | Cylinder linder            | 2       |  |

Items marked + not supplied as spares

Compiled

GP

Date

3.12.64

No. of pages

4

Alteration O.E.L.

Notes

Rolls-Royce Ltd

# COPY

ROLLS-ROYCE LIMITED **CHARGE ENGINES**

Group 160/20  
Page 3 Issue 1

Group Title COMPRESSOR (OR EXHAUSTER)

| Alteration<br>O.E.L.<br>No. | Item<br>No. | Note | Part No. |                                    |   |   |   |   | Description               | No.<br>Off |
|-----------------------------|-------------|------|----------|------------------------------------|---|---|---|---|---------------------------|------------|
|                             |             |      |          | 1                                  | 2 | 3 | 4 | 5 |                           |            |
|                             |             |      |          | FOR SPARES AND/OR SERVICE USE ONLY |   |   |   |   |                           |            |
|                             | 40          |      | OE 7755  |                                    |   |   |   |   | Distance piece - bearings | 1          |
|                             | 41          |      | OE 4832  |                                    |   |   |   |   | Gasket - cylinder head    | 1          |
|                             | 42          |      | OE 4860  |                                    |   |   |   |   | Housing - lub oil feed    | 1          |
|                             | 43          |      | OE 4842  |                                    |   |   |   |   | Joint - end covers        | 2          |
|                             | 44          |      | OE 4861  |                                    |   |   |   |   | Joint - oil feed housing  | 1          |
|                             | 45          |      | OE 7759  |                                    |   |   |   |   | Key HIPRO                 | 1          |
|                             | 46          |      | OE 5506  |                                    |   |   |   |   | Nut - plain .312 dia.     | 22         |
|                             | 47          |      | OE 7760  |                                    |   |   |   |   | Nut - slotted .625 dia.   | 1          |
|                             |             |      | OE 4890  |                                    |   |   |   |   | Piston assembly - std     | 2          |
|                             | 48          |      | OE 4894  |                                    |   |   |   |   | Circlip                   | 4          |
|                             | 49          |      | OE 4893  | +                                  |   |   |   |   | Gudgeon pin               | 2          |
|                             | 50          |      | OE 34395 | +                                  |   |   |   |   | Piston - standard         | 2          |
|                             | 51          |      | OE 4891  |                                    |   |   |   |   | Ring - compression - std  | 4          |
|                             | 52          |      | OE 4892  |                                    |   |   |   |   | Ring - scraper - standard | 2          |
|                             |             |      | OE 4895  |                                    |   |   |   |   | Piston assembly .010 o/s  | 2          |
|                             |             |      | OE 4894  |                                    |   |   |   |   | Circlip                   | 4          |
|                             |             |      | OE 4893  | +                                  |   |   |   |   | Gudgeon pin               | 2          |
|                             |             |      |          | +                                  |   |   |   |   | Piston .010 o/s           | 2          |
|                             |             |      | OE 4896  |                                    |   |   |   |   | Ring - compression .010   | 4          |
|                             |             |      | OE 4897  |                                    |   |   |   |   | Ring - scraper - .010     | 2          |
|                             | 53          |      | OE 4862  |                                    |   |   |   |   | Seal - lub oil feed       | 1          |

Items marked + not supplied as spares    Compiled GP    Date 3.12.04    No. of pages 1

| Alteration O.E.L. | Notes |
|-------------------|-------|
|                   |       |
|                   |       |
|                   |       |



ROLLS-ROYCE LIMITED 'C' RANGE ENGINES

COPY

Group 160/20  
Page 4 Issue 1

Group Title COMPRESSOR (or Exhauster)

| Alteration O.E.L. No. | Item No. | Note | Part No. | Description                        |   |   |   |                           | No. Off |
|-----------------------|----------|------|----------|------------------------------------|---|---|---|---------------------------|---------|
|                       |          |      |          | 1                                  | 2 | 3 | 4 | 5                         |         |
|                       |          |      |          | FOR SPARES AND/OR SERVICE USE ONLY |   |   |   |                           |         |
|                       | 54       |      | OE 7756  |                                    |   |   |   | Seal - oil - crankshaft   | 1       |
|                       | 55       |      | OE 20740 |                                    |   |   |   | Setscrew .250 dia.        | 2       |
|                       | 56       |      | OE 20742 |                                    |   |   |   | Setscrew .375 dia.        | 6       |
|                       | 57       |      | OE 7757  |                                    |   |   |   | Sleeve - oil seal         | 1       |
|                       | 58       |      | OE 7761  |                                    |   |   |   | Split pin                 | 1       |
|                       | 59       |      | OE 9879  |                                    |   |   |   | Strap sub assembly        | 1       |
|                       | 60       |      | OE 9881  |                                    |   |   |   | Bolt .250 dia. BSF        | 2       |
|                       | 61       |      | OE 9880  |                                    |   |   |   | Nut Aerotight .250 BSF    | 2       |
|                       |          |      |          |                                    |   |   |   | + Strap and cap           | 1       |
|                       | 62       |      | OE 20738 |                                    |   |   |   | Stud - end covers         | 22      |
|                       | 63       |      | OE 4836  |                                    |   |   |   | Washer - spring .250 dia. | 2       |
|                       | 64       |      | OE 7763  |                                    |   |   |   | Washer - spring .312 dia. | 22      |
|                       | 65       |      | OE 4831  |                                    |   |   |   | Washer - spring .375 dia. | 6       |

|                                       |          |    |       |         |              |   |
|---------------------------------------|----------|----|-------|---------|--------------|---|
| Items marked + not supplied as spares | Compiled | GP | Date  | 3.12.64 | No. of pages | 4 |
| Alteration O.E.L.                     |          |    | Notes |         |              |   |
|                                       |          |    |       |         |              |   |
|                                       |          |    |       |         |              |   |
|                                       |          |    |       |         |              |   |

# COPY

## ROLLS-ROYCE LIMITED 'C' RANGE ENGINES

|                |
|----------------|
| Group 160/20   |
| Page 2 Issue 1 |

Group Title COMPRESSOR (or Exhauster)

| Alteration O.E.L. No. | Item No. | Note | Part No. |                                    |   |   |   |   | Description                | No. Off |
|-----------------------|----------|------|----------|------------------------------------|---|---|---|---|----------------------------|---------|
|                       |          |      |          | 1                                  | 2 | 3 | 4 | 5 |                            |         |
|                       |          |      |          | FOR SPARES AND/OR SERVICE USE ONLY |   |   |   |   |                            |         |
|                       |          |      | OE 20735 |                                    |   |   |   |   | Cylinder head assembly     | 1       |
|                       |          |      | OE 34397 |                                    |   |   |   |   | Cylinder head sub assembly | 1       |
|                       | 21       |      | OE 20734 |                                    |   |   |   |   | Cylinder head              | 1       |
|                       | 22       |      | OE 20724 |                                    |   |   |   |   | Disc - inlet valve         | 2       |
|                       | 23       |      | OE 4869  |                                    |   |   |   |   | Disc - delivery valve      | 2       |
|                       | 24       |      | OE 20731 |                                    |   |   |   |   | Guide - inlet valve        | 2       |
|                       | 25       |      | OE 5515  |                                    |   |   |   |   | Guide - delivery valve     | 2       |
|                       | 26       |      | OE 4881  |                                    |   |   |   |   | Plug - blanking            | 1       |
|                       | 27       |      | OE 20732 |                                    |   |   |   |   | Seat - inlet valve         | 2       |
|                       | 28       |      | OE 4868  |                                    |   |   |   |   | Seat - delivery valve      | 2       |
|                       | 29       |      | OE 17713 |                                    |   |   |   |   | Spring - inlet valve       | 2       |
|                       | 30       |      | OE 6095  |                                    |   |   |   |   | Spring - delivery valve    | 2       |
|                       | 31       |      | OE 20736 |                                    |   |   |   |   | Spring keeper              | 2       |
|                       | 32       |      | OE 4872  |                                    |   |   |   |   | Washer - valve guide       | 2       |
|                       | 33       |      | OE 4882  |                                    |   |   |   |   | Washer - joint - plug      | 1       |
|                       | 34       |      | OE 4878  |                                    |   |   |   |   | Inlet manifold             | 1       |
|                       | 35       |      | OE 4879  |                                    |   |   |   |   | Joint - inlet manifold     | 1       |
|                       | 36       |      | OE 4881  |                                    |   |   |   |   | Plug - blanking            | 1       |
|                       | 37       |      | OE 20741 |                                    |   |   |   |   | Setscrew .250 dia.         | 4       |
|                       | 38       |      | OE 4882  |                                    |   |   |   |   | Washer - joint - plug      | 1       |
|                       | 39       |      | OE 4836  |                                    |   |   |   |   | Washer - spring .250 dia.  | 4       |

Items marked + not supplied as spares      Compiled      GP      Date      3.12.64      No. of pages      4

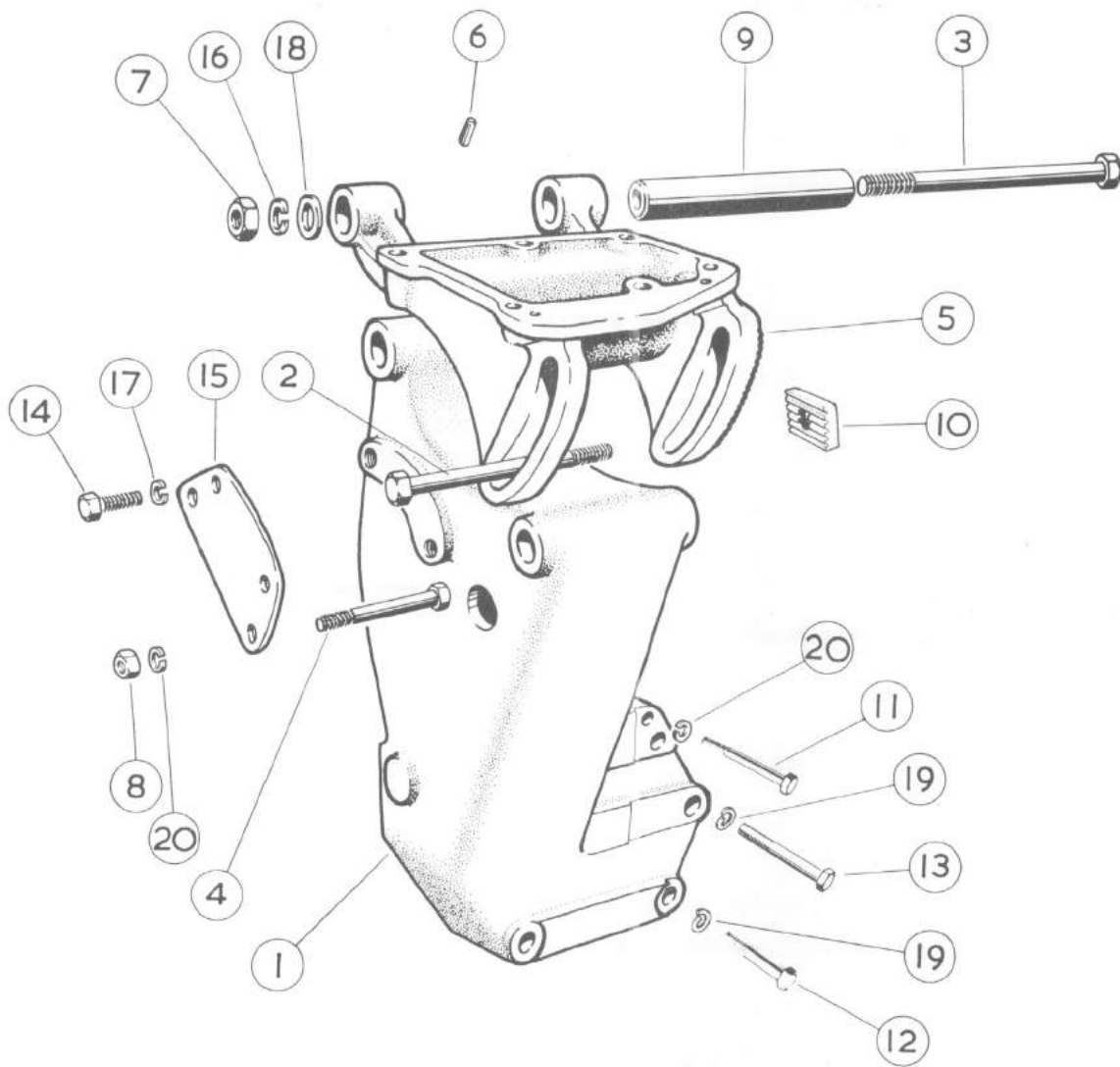
| Alteration O.E.L. | Notes |
|-------------------|-------|
|                   |       |
|                   |       |
|                   |       |

ROLLS-ROYCE LIMITED 'C' RANGE ENGINES

Group Title COMPRESSOR (or Exhauster) MOUNTING

Group 163/21

Plate I Issue I



ROLLS-ROYCE LIMITED 'C' RANGE ENGINES

Group 163/21M

Page 1 Issue 1

Group Title COMPRESSOR (or Exhauster) MOUNTING

| Alteration O.E.L. No. | Item No. | Note | Part No. |   |   |   |   |   | Description                                    | No. Off |
|-----------------------|----------|------|----------|---|---|---|---|---|--|---------|
|                       |          |      |          | 1 | 2 | 3 | 4 | 5 |  |         |
|                       | 1        |      | OE 29081 |   |   |   |   |   | Bracket  | 1       |
|                       | 2        |      | UF 1681  |   |   |   |   |   | Bolt - adjustment .500 dia. by 7.25            | 1       |
|                       | 3        |      | UF 1684  |   |   |   |   |   | Bolt - pivot .500 dia. by 8.00                 | 1       |
|                       | 4        |      | UF 1516  |   |   |   |   |   | Bolt - strap to wheelcase .312 dia. by 3.00    | 1       |
|                       |          |      | UF 1517  |   |   |   |   |   | Bolt - strap to wheelcase .312 dia. by 3.25    | 1       |
|                       | 5        |      | OE 29098 |   |   |   |   |   | Cradle   | 1       |
|                       | 6        |      | OE 6523  |   |   |   |   |   | Dowel  | 2       |
|                       | 7        |      | UF 4357  |   |   |   |   |   | Nut .500 dia.                                  | 2       |
|                       | 8        |      | UF 4354  |   |   |   |   |   | Nut .312 dia.                                  | 2       |
|                       | 9        |      | OE 6660  |   |   |   |   |   | Pivot pin                                      | 1       |
|                       | 10       |      | OE 4000  |   |   |   |   |   | Serrated washer                                | 1       |
|                       | 11       |      | UF 1517  |   |   |   |   |   | Setscrew .312 dia. by 3.250                    | 1       |
|                       | 12       |      | UF 1563  |   |   |   |   |   | Setscrew .375 dia. by 2.25                     |         |
|                       |          |      |          |   |   |   |   |   | bracket to crankcase                           | 2       |
|                       | 13       |      | UF 1567  |   |   |   |   |   | Setscrew .375 dia. by 3.25                     |         |
|                       |          |      |          |   |   |   |   |   | bracket to crankcase                           | 1       |
|                       | 14       |      | UF 1555  |   |   |   |   |   | Setscrew - strap to bracket .375 dia. by 1.125 | 2       |
|                       | 15       |      | OE 6674  |   |   |   |   |   | Strap - supporting                             | 1       |
|                       | 16       |      | UF 5111  |   |   |   |   |   | Washer - grover .500 i/d                       | 2       |
|                       | 17       |      | UF 5109  |   |   |   |   |   | Washer - grover .375 i/d                       | 2       |
|                       | 18       |      | KB 3909  |   |   |   |   |   | Washer - plain .500 i/d                        | 2       |
|                       | 19       |      | K 9010   |   |   |   |   |   | Washer - spring .375 i/d                       | 4       |
|                       | 20       |      | K 9009   |   |   |   |   |   | Washer - spring .312 i/d                       | 2       |

Items marked + not supplied as spares

Compiled

SS

Date 9 5 62

No. of pages

1

Alteration O.E.L.

Notes

Scheme No. OL, 2349

ROLLS-ROYCE LIMITED 'C' RANGE ENGINES

Group 163/29M

COMPRESSOR (or Exhauster) MOUNTING

Page 1 Issue 1

Group Title

| Alteration<br>O.E.L<br>No. | Item<br>No. | Note | Part No. | Description |          |         |           |              | No.<br>Off |
|----------------------------|-------------|------|----------|-------------|----------|---------|-----------|--------------|------------|
|                            |             |      |          | 1           | 2        | 3       | 4         | 5            |            |
|                            | 1           |      | UF 1516  | Bolt        | -        | plate   | to        | wheelcase    | 2          |
|                            | 2           |      | OE 31682 | Mounting    | bracket  | -       | crankcase |              | 1          |
|                            | 3           |      | UF 4354  | Nut         | -        | plain   | .312      | dia.         | 2          |
|                            | 4           |      | OE 31686 | Plate       | assembly | -       | bracket   | to wheelcase | 1          |
|                            |             |      | UF 4354  | + Nut       |          |         |           |              | 2          |
|                            | 5           |      | UF 1567  | Setscrew    | -        | bracket | to        | wheelcase    | 2          |
|                            | 6           |      | UF 1563  | Setscrew    | -        | bracket | to        | wheelcase    | 2          |
|                            | 7           |      | UF 1554  | Setscrew    | -        | plate   | to        | bracket      | 2          |
|                            | 8           |      | ST 16259 | Washer      | -        | spring  | .312      | i/d          | 2          |
|                            | 9           |      | ST 16283 | Washer      | -        | grover  | .375      | i/d          | 6          |
|                            |             |      |          |             |          |         |           |              |            |
|                            |             |      |          |             |          |         |           |              |            |
|                            |             |      |          |             |          |         |           |              |            |
|                            |             |      |          |             |          |         |           |              |            |
|                            |             |      |          |             |          |         |           |              |            |
|                            |             |      |          |             |          |         |           |              |            |
|                            |             |      |          |             |          |         |           |              |            |
|                            |             |      |          |             |          |         |           |              |            |
|                            |             |      |          |             |          |         |           |              |            |
|                            |             |      |          |             |          |         |           |              |            |
|                            |             |      |          |             |          |         |           |              |            |
|                            |             |      |          |             |          |         |           |              |            |
|                            |             |      |          |             |          |         |           |              |            |
|                            |             |      |          |             |          |         |           |              |            |
|                            |             |      |          |             |          |         |           |              |            |
|                            |             |      |          |             |          |         |           |              |            |
|                            |             |      |          |             |          |         |           |              |            |
|                            |             |      |          |             |          |         |           |              |            |
|                            |             |      |          |             |          |         |           |              |            |
|                            |             |      |          |             |          |         |           |              |            |
|                            |             |      |          |             |          |         |           |              |            |
|                            |             |      |          |             |          |         |           |              |            |
|                            |             |      |          |             |          |         |           |              |            |
|                            |             |      |          |             |          |         |           |              |            |
|                            |             |      |          |             |          |         |           |              |            |
|                            |             |      |          |             |          |         |           |              |            |
|                            |             |      |          |             |          |         |           |              |            |

Items marked + not supplied as spares      Compiled      GRE      Date 8.4.64.      No. of pages 1

| Alteration O.E.L. | Notes |
|-------------------|-------|
|                   |       |
|                   |       |
|                   |       |
|                   |       |

Scheme No.



# ROLLS-ROYCE LIMITED 'C' RANGE ENGINES

Group 163/30M  
 Page 1 Issue 1

Group Title COMPRESSOR (or Exhauster) MOUNTING

| Alteration O.E.L. No.                 | Item No. | Note | Part No. |          |     |      |         |              | Description                | No. Off |
|---------------------------------------|----------|------|----------|----------|-----|------|---------|--------------|----------------------------|---------|
|                                       |          |      |          | 1        | 2   | 3    | 4       | 5            |                            |         |
|                                       | 1        |      | OE 31838 |          |     |      |         |              | Base                       | 1       |
|                                       | 2        |      | UF 1669  |          |     |      |         |              | Bolt - adjusting           | 1       |
|                                       | 3        |      | OE 31797 |          |     |      |         |              | Cradle                     | 1       |
|                                       | 4        |      | UF 4357  |          |     |      |         |              | Nut                        | 1       |
|                                       | 5        |      | OE 10633 |          |     |      |         |              | Pivot pin                  | 1       |
|                                       | 6        |      | OE 4000  |          |     |      |         |              | Serrated Washer            | 1       |
|                                       | 7        |      | UF 1608  |          |     |      |         |              | Setscrew - base to bracket | 1       |
|                                       | 8        |      | UF 1611  |          |     |      |         |              | Setscrew - base to bracket | 2       |
|                                       | 9        |      | ST 16284 |          |     |      |         |              | Washer - grover .4375 i/d  | 3       |
|                                       | 10       |      | ST 15905 |          |     |      |         |              | Washer - plain .525 i/d    | 1       |
|                                       | 11       |      | ST 16262 |          |     |      |         |              | Washer - spring .500 i/d   | 1       |
|                                       |          |      |          |          |     |      |         |              |                            |         |
|                                       |          |      |          |          |     |      |         |              |                            |         |
|                                       |          |      |          |          |     |      |         |              |                            |         |
|                                       |          |      |          |          |     |      |         |              |                            |         |
|                                       |          |      |          |          |     |      |         |              |                            |         |
|                                       |          |      |          |          |     |      |         |              |                            |         |
|                                       |          |      |          |          |     |      |         |              |                            |         |
|                                       |          |      |          |          |     |      |         |              |                            |         |
|                                       |          |      |          |          |     |      |         |              |                            |         |
|                                       |          |      |          |          |     |      |         |              |                            |         |
|                                       |          |      |          |          |     |      |         |              |                            |         |
|                                       |          |      |          |          |     |      |         |              |                            |         |
|                                       |          |      |          |          |     |      |         |              |                            |         |
|                                       |          |      |          |          |     |      |         |              |                            |         |
|                                       |          |      |          |          |     |      |         |              |                            |         |
|                                       |          |      |          |          |     |      |         |              |                            |         |
|                                       |          |      |          |          |     |      |         |              |                            |         |
|                                       |          |      |          |          |     |      |         |              |                            |         |
|                                       |          |      |          |          |     |      |         |              |                            |         |
| Items marked + not supplied as spares |          |      |          | Compiled | GRE | Date | 8.4.64. | No. of pages | 1                          |         |
| Alteration O.E.L.                     |          |      |          | Notes    |     |      |         |              |                            |         |
|                                       |          |      |          |          |     |      |         |              |                            |         |
|                                       |          |      |          |          |     |      |         |              |                            |         |
| Scheme No.                            |          |      |          |          |     |      |         |              |                            |         |

# ROLLS-ROYCE LIMITED 'C' RANGE ENGINES

Group 164/32M

Page 1 Issue 6

Group Title COMPRESSOR (or Exhauster) OIL PIPES

| Alteration<br>O.E.L.<br>No.           | Item<br>No. | Note | Part No.   | Description |                                     |                     |        |              | No.<br>Off |
|---------------------------------------|-------------|------|------------|-------------|-------------------------------------|---------------------|--------|--------------|------------|
|                                       |             |      |            | 1           | 2                                   | 3                   | 4      | 5            |            |
|                                       | 1           |      | OE 6661    | Adaptor     | -                                   | elbow               | -      | oil drain    | 1          |
|                                       | 2           |      | OE 28966   | Banjo       | assembly                            |                     |        |              | 1          |
|                                       |             |      | OE 28962   | + Banjo     |                                     |                     |        |              | 1          |
|                                       |             |      | OE 4070    | + Tube      |                                     |                     |        |              | 1          |
|                                       | 3           |      | OE 28965   | Bolt        | -                                   | banjo               |        |              | 1          |
|                                       | 4           |      | OE 4139    | Clip        | -                                   | oil drain pipe      |        |              | 2          |
|                                       | 5           |      | OE 6658    | Clip        | -                                   | oil drain pipe      |        |              | 1          |
|                                       | 6           |      | OE 1514    | Clip        | -                                   | oil feed pipe       |        |              | 1          |
|                                       | 7           |      | OE 6651    | Elbow       | -                                   | oil drain           |        |              | 1          |
|                                       | 8           |      | OE 29086   | Elbow       | -                                   | compressor oil feed |        |              | 1          |
| 10531                                 | 9           |      | OE 1504    | Joint       | -                                   | elbow               |        |              | 1          |
|                                       | 10          |      | OE 6657    | Pipe        | -                                   | oil drain           |        |              | 1          |
| 9654                                  | 11          |      | OE 29871/7 | Pipe        | -                                   | assembly - oil feed |        |              | 1          |
|                                       |             |      | OE 20553   | End fitting | -                                   | straight            |        |              | 2          |
|                                       | 12          |      | UF 1510    | Setscrew    | .312 dia. by 1.750 - elbow to       |                     |        |              |            |
|                                       |             |      |            |             |                                     | crankcase           |        |              | 3          |
|                                       | 13          |      | UF 1551    | Setscrew    | .312 dia. by .625 - clip - oil feed |                     |        |              | 1          |
| 9613                                  | 14          |      | OE 28869   | Union       | -                                   | oil feed pipe       |        |              | 1          |
| 9967                                  | 15          |      | OE 1885    | Washer      | -                                   | joint .518 i/d      |        |              | 1          |
| 9967                                  | 16          |      | KB 1080    | Washer      | -                                   | joint .500 i/d      |        |              | 2          |
|                                       | 17          |      | KB 1087    | Washer      | -                                   | joint .562 i/d      |        |              | 1          |
|                                       | 18          |      | OE 16645   | Washer      | -                                   | laminated .500 i/d  |        |              | 1          |
|                                       | 19          |      | ST 16259   | Washer      | -                                   | spring .312 i/d     |        |              | 3          |
|                                       | 20          |      | ST 16260   | Washer      | -                                   | spring .375 i/d     |        |              | 1          |
| Items marked + not supplied as spares |             |      |            | Compiled    | SS                                  | Date                | 9.1.64 | No. of pages | 1          |
| Alteration O.E.L.                     |             |      |            | Notes       |                                     |                     |        |              |            |
| 9217                                  |             |      |            |             |                                     |                     |        |              |            |
|                                       |             |      |            |             |                                     |                     |        |              |            |
|                                       |             |      |            |             |                                     |                     |        |              |            |
| Scheme No.                            |             |      |            |             |                                     |                     |        |              |            |

ROLLS-ROYCE LIMITED 'C' RANGE ENGINES

Group 164/74M  
Page 1 Issue 1

Group Title COMPRESSOR (or Exhauster) OIL PIPES

| Alteration O.E.L No. | Item No. | Note | Part No.   |   |   |   |   |   | Description                                    | No. Off |
|----------------------|----------|------|------------|---|---|---|---|---|--|---------|
|                      |          |      |            | 1 | 2 | 3 | 4 | 5 |  |         |
|                      | 1        |      | OE 6661    |   |   |   |   |   | Adaptor - elbow - oil drain                    | 1       |
|                      | 2        |      | OE 28966   |   |   |   |   |   | Banjo assembly                                 | 1       |
|                      |          |      | OE 28962   |   |   |   |   |   | + Banjo  | 1       |
|                      |          |      | OE 4070    |   |   |   |   |   | + Tube   | 1       |
|                      | 3        |      | OE 28965   |   |   |   |   |   | Bolt - banjo                                   | 1       |
|                      | 4        |      | OE 4139    |   |   |   |   |   | Clip - oil drain pipe                          | 2       |
|                      | 5        |      | OE 6658    |   |   |   |   |   | Clip - oil drain pipe                          | 1       |
|                      | 6        |      | OE 1514    |   |   |   |   |   | Clip - oil feed pipe                           | 1       |
|                      | 7        |      | OE 6651    |   |   |   |   |   | Elbow - oil drain                              | 1       |
|                      | 8        |      | OE 1504    |   |   |   |   |   | Joint - elbow                                  | 1       |
|                      | 9        |      | OE 6657    |   |   |   |   |   | Pipe - oil drain                               | 1       |
|                      | 10       |      | OE29872/14 |   |   |   |   |   | Pipe - assembly - oil feed                     | 1       |
|                      |          |      | OE 20553   |   |   |   |   |   | + End fitting - straight                       | 1       |
|                      |          |      | OE 29010   |   |   |   |   |   | + End fitting - 90°                            | 1       |
|                      | 11       |      | UF 1510    |   |   |   |   |   | Setscrew .312 dia. by 1.750-elbow to c/case    | 3       |
|                      | 12       |      | UF 1551    |   |   |   |   |   | Setscrew .312 dia. by .625-clip, oil feed pipe | 1       |
|                      | 13       |      | OE 28869   |   |   |   |   |   | Union - oil feed pipe                          | 1       |
|                      | 14       |      | ST 20552   |   |   |   |   |   | Union - comp. - oil feed                       | 1       |
|                      | 15       |      | OE 1885    |   |   |   |   |   | Washer - joint .518 i/d                        | 1       |
|                      | 16       |      | KB 1080    |   |   |   |   |   | Washer - joint .500 i/d                        | 2       |
|                      | 17       |      | KB 1087    |   |   |   |   |   | Washer - joint .562 i/d                        | 1       |
|                      |          |      |            |   |   |   |   |   |  |         |
|                      |          |      |            |   |   |   |   |   |  |         |

|                                       |  |  |          |       |      |         |              |   |
|---------------------------------------|--|--|----------|-------|------|---------|--------------|---|
| Items marked + not supplied as spares |  |  | Compiled | GRE   | Date | 8.4.64. | No. of pages | 1 |
| Alteration O.E.L.                     |  |  |          | Notes |      |         |              |   |
|                                       |  |  |          |       |      |         |              |   |
|                                       |  |  |          |       |      |         |              |   |
| Scheme No.                            |  |  |          |       |      |         |              |   |

ROLLS-ROYCE LIMITED 'C' RANGE ENGINES

COMPRESSOR (or Exhauster) PULLEY

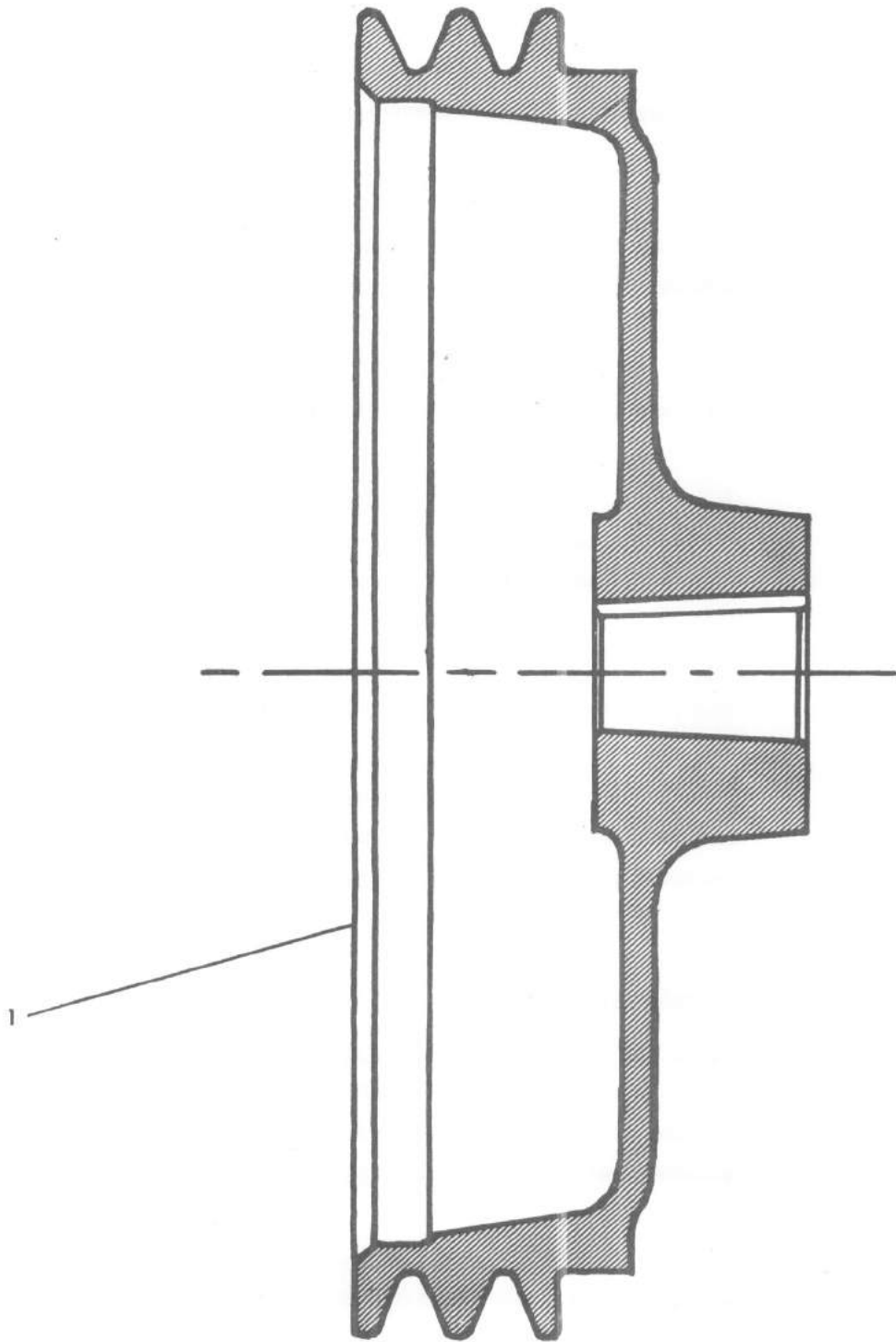
Group Title

or COUPLING

Group 165/13

Plate 1

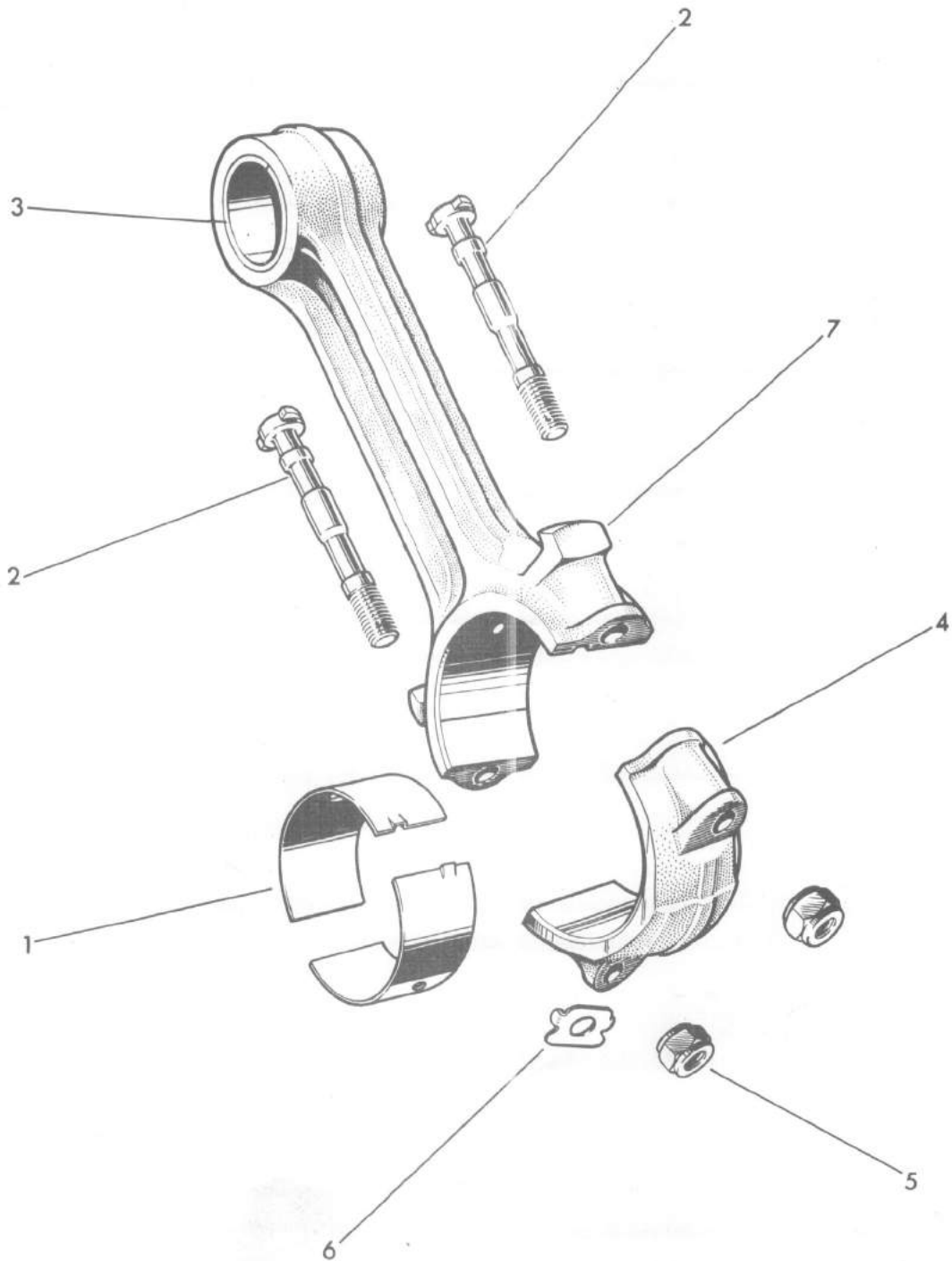
Issue 1



|          |      |      |           |               |   |
|----------|------|------|-----------|---------------|---|
| Compiled | KG S | Date | 15. 8. 63 | No. of plates | 1 |
|----------|------|------|-----------|---------------|---|







|          |     |      |            |               |   |
|----------|-----|------|------------|---------------|---|
| Compiled | DSE | Date | 6 · 4 · 64 | No. of plates | 1 |
|----------|-----|------|------------|---------------|---|

# ROLLS-ROYCE LIMITED 'C' RANGE ENGINES

Group 170/1M

Page 1 Issue 5

Group Title

CONNECTING RODS

| Alteration<br>O.E.L.<br>No.        | Item<br>No. | Note | Part No. | Description                              |   |   |   |   | No.<br>Off |
|------------------------------------|-------------|------|----------|--|---|---|---|---|------------|
|                                    |             |      |          | 1  | 2 | 3 | 4 | 5 |            |
|                                    | 1           |      | OE 2169  | Bearing - big end (standard size)        |   |   |   |   | 12         |
| 5595                               |             | C    | OE 7468  | Connecting rod assembly                  |   |   |   |   | 6          |
|                                    | 2           | A    | OE 5448  | Bolt                                     |   |   |   |   | 12         |
|                                    |             | B    | OE 11367 | Bolt                                     |   |   |   |   | 12         |
|                                    | 3           |      | OE 2044  | Bush - little end (for spares see below) |   |   |   |   | 6          |
|                                    | 4           |      | OE 5722  | + Cap                                    |   |   |   |   | 6          |
|                                    | 5           |      | OE 3735  | Nut - plain .625 dia.                    |   |   |   |   | 12         |
|                                    | 6           |      | OE 3734  | Lockplate                                |   |   |   |   | 12         |
|                                    | 7           |      | OE 5721  | + Rod                                    |   |   |   |   | 6          |
| 6561<br>Mod139                     |             | D    | OE 26421 | Connecting rod assembly                  |   |   |   |   | 6          |
|                                    |             |      | OE 23311 | Bolt                                     |   |   |   |   | 12         |
|                                    |             |      | OE 2044  | Bush - little end (for spares see below) |   |   |   |   | 6          |
|                                    |             |      | OE 23313 | + Cap                                    |   |   |   |   | 6          |
|                                    |             |      | OE 3735  | Nut - plain .625 dia.                    |   |   |   |   | 12         |
|                                    |             |      | OE 3734  | Lockplate                                |   |   |   |   | 12         |
|                                    |             |      | OE 23312 | + Rod                                    |   |   |   |   | 6          |
| FOR SPARES AND/OR SERVICE USE ONLY |             |      |          |  |   |   |   |   |            |
|                                    |             |      | OE 3369  | Bearing - big end (.010 u/size)          |   |   |   |   | 12         |
|                                    |             |      | OE 3370  | Bearing - big end (.020 u/size)          |   |   |   |   | 12         |
| 5801                               |             |      | OE 13404 | Bearing - big end (.030 u/size)          |   |   |   |   | 12         |
| 5801                               |             |      | OE 13405 | Bearing - big end (.040 u/size)          |   |   |   |   | 12         |

Items marked + not supplied as spares

Compiled

DWN

Date 18.6.64.

No. of pages

2

Alteration O.E.L.

Notes

10939

B To replace A when stocks of A are exhausted  
 D To replace C in complete sets when stocks of C are exhausted  
 C Not supplied for spares - see spares and/or service items.

Scheme No.

# ROLLS-ROYCE LIMITED 'C' RANGE ENGINES

Group 170/1M  
Page 2 Issue 2

Group Title CONECTING RODS

| Alteration O.E.L. No. | Item No. | Note | Part No. | Description   |   |   |   |   | No. Off |
|-----------------------|----------|------|----------|---|---|---|---|---|---------|
|                       |          |      |          | 1   | 2 | 3 | 4 | 5 |         |
|                       |          |      | OE 10527 | Bush - little end (bore pre-finished to size OEB 156) |   |   |   |   | 6       |
| Mod139<br>6625        |          | C    | OE 23012 | Connecting rod assembly (weight group "C" )           |   |   |   |   | 6       |
|                       |          | A    | OE 5448  | Bolt  |   |   |   |   | 12      |
|                       |          | B    | OE 11367 | Bolt  |   |   |   |   | 12      |
|                       |          |      | OE 2044  | + Bush - little end                                   |   |   |   |   | 6       |
|                       |          |      | OE 5722  | + Cap   |   |   |   |   | 6       |
|                       |          |      | OE 3735  | Nut - plain .625 dia.                                 |   |   |   |   | 12      |
|                       |          |      | OE 3734  | Lockplate   |   |   |   |   | 12      |
|                       |          |      | OE 5721  | + Rod   |   |   |   |   | 6       |
| Mod139<br>6625        |          | D    | OE 27071 | Connecting rod assembly (weight group "C" )           |   |   |   |   | 6       |
|                       |          |      | OE 23311 | Bolt  |   |   |   |   | 12      |
|                       |          |      | OE 2044  | + Bush - little end                                   |   |   |   |   | 6       |
|                       |          |      | OE 23313 | + Cap   |   |   |   |   | 6       |
|                       |          |      | OE 3734  | Nut - plain .625 dia.                                 |   |   |   |   | 12      |
|                       |          |      | OE 3735  | Lockplate   |   |   |   |   | 12      |
|                       |          |      | OE 23312 | + Rod   |   |   |   |   | 6       |

|                                       |  |  |  |     |      |          |              |   |
|---------------------------------------|--|--|--|-----|------|----------|--------------|---|
| Items marked + not supplied as spares |  |  | Compiled   | DWN | Date | 16.1.64. | No. of pages | 2 |
| Alteration O.E.L.                     |  |  | Notes  |     |      |          |              |   |
|                                       |  |  | B To replace A when stocks of A are exhausted                  |     |      |          |              |   |
|                                       |  |  | D To replace C in complete sets when stocks of C are exhausted |     |      |          |              |   |
| Scheme No.                            |  |  |  |     |      |          |              |   |

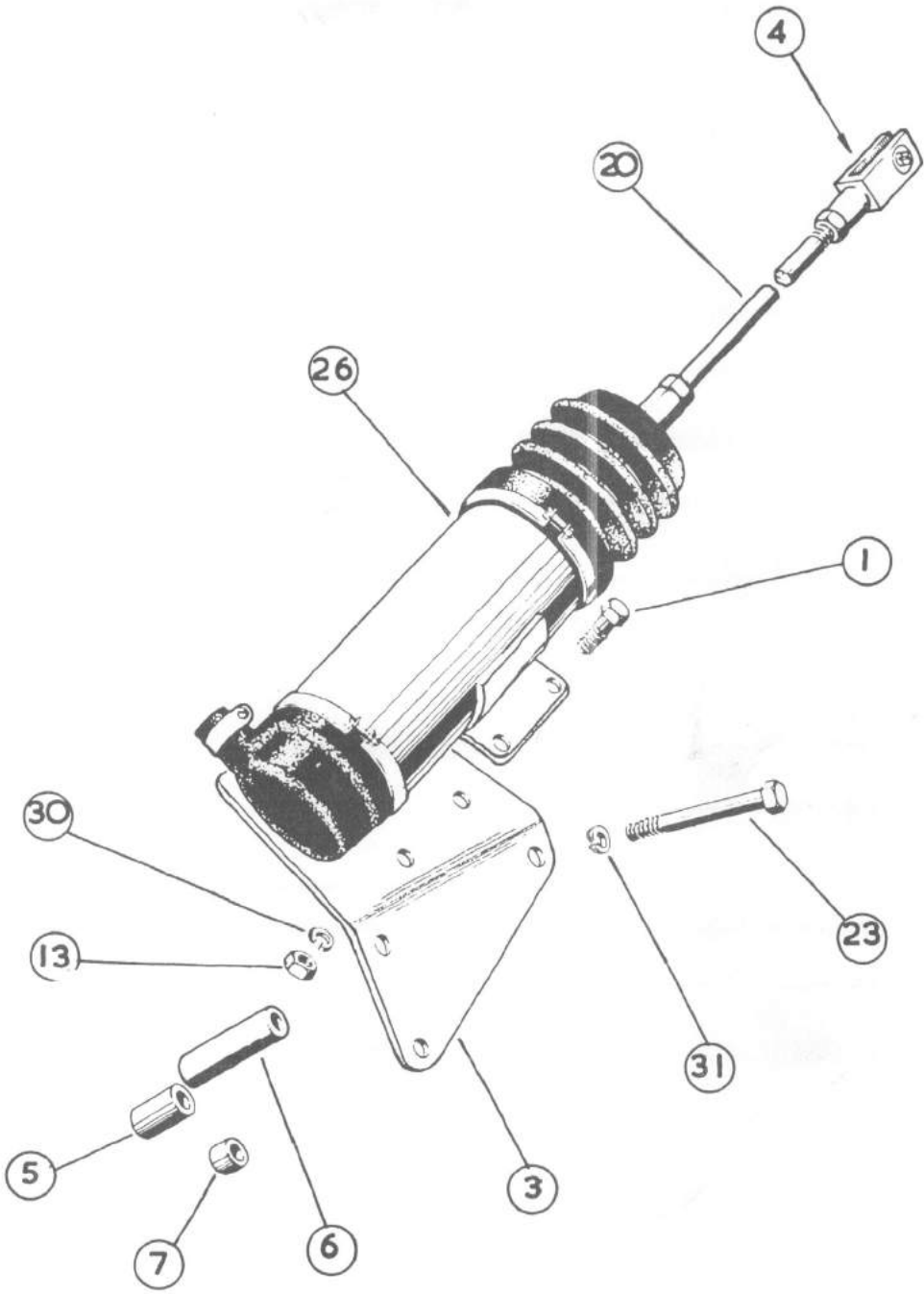
# ROLLS-ROYCE LIMITED 'C' RANGE ENGINES

Group 180/183

Group Title

CONTROLS (Engine)

Plate 2 Issue 1



|          |     |      |           |               |   |
|----------|-----|------|-----------|---------------|---|
| Compiled | KGS | Date | 8. 4. 63. | No. of plates | 2 |
|----------|-----|------|-----------|---------------|---|

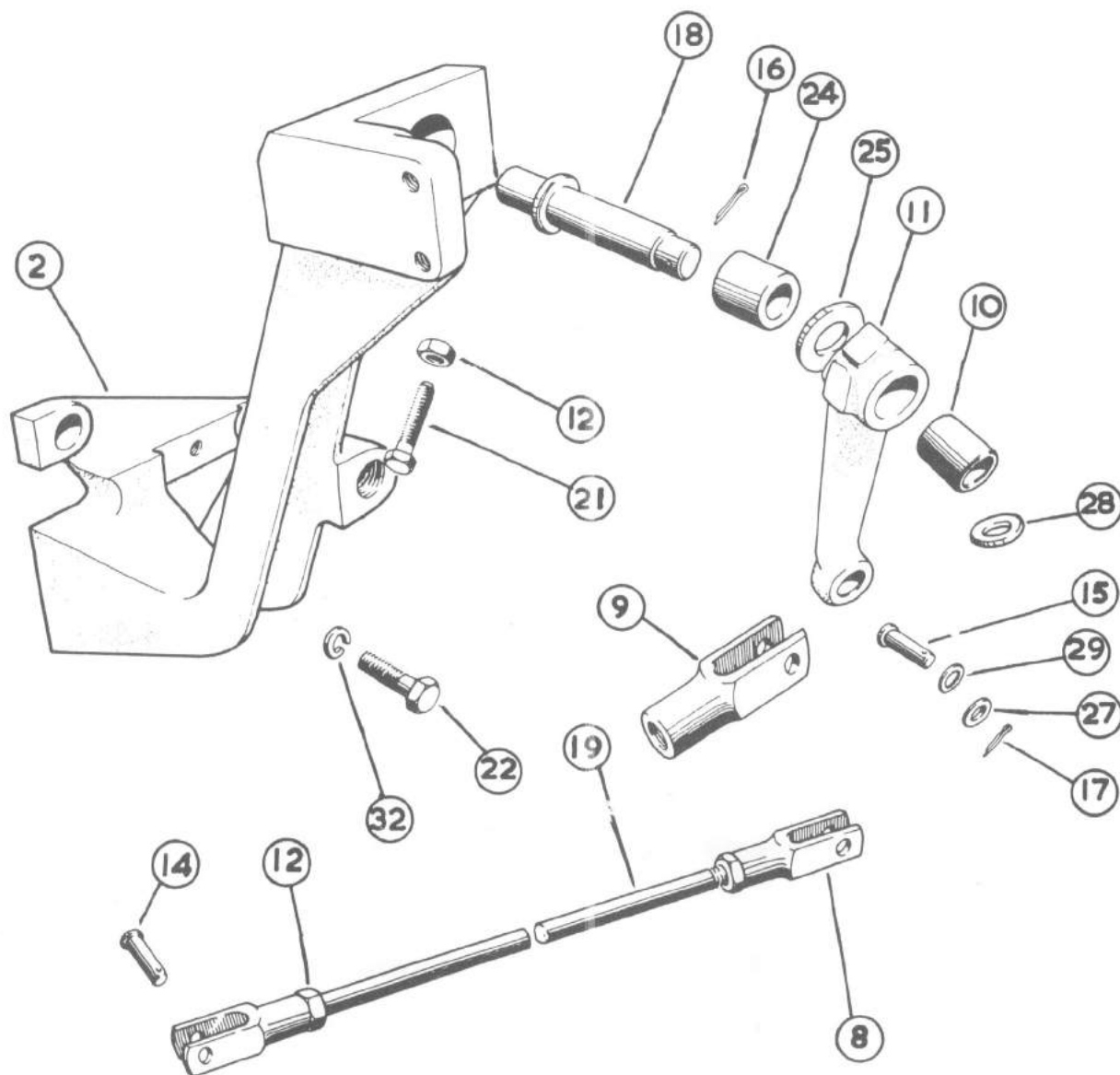
# ROLLS-ROYCE LIMITED 'C' RANGE ENGINES

Group 180/183

Group Title

CONTROLS (Engine)

Plate 1 Issue 1



|          |     |      |           |               |   |
|----------|-----|------|-----------|---------------|---|
| Compiled | KGS | Date | 8. 4. 63. | No. of plates | 2 |
|----------|-----|------|-----------|---------------|---|



# ROLLS-ROYCE LIMITED 'C' RANGE ENGINES

Group 180/183M

Page 1 Issue 1

Group Title CONTROLS (Engine)

| Alteration O.E.L. No. | Item No. | Note | Part No. | Description    |          |                   |         |                       | No. Off |
|-----------------------|----------|------|----------|----------------|----------|-------------------|---------|-----------------------|---------|
|                       |          |      |          | 1              | 2        | 3                 | 4       | 5                     |         |
|                       | 1        |      | UF 1502  | Bolt           | .312     | dia.              | by .750 | - solenoid to bracket | 4       |
|                       |          | A    | OE 7592  | Bracket        | -        | control lever     |         |                       | 1       |
|                       | 2        | B    | OE 28575 | Bracket        | -        | control lever     |         |                       | 1       |
|                       | 3        |      | OE 29803 | Bracket        | -        | solenoid mounting |         |                       | 1       |
|                       | 4        |      | OE 25797 | Clevis         | assembly |                   |         |                       | 1       |
|                       |          |      | KB 6858  | Pin            | - split  | .093              | dia.    |                       | 1       |
|                       | 5        |      | OE 29133 | Distance piece | -        | mounting bracket  |         |                       | 1       |
|                       | 6        |      | OE 29219 | Distance piece | -        | mounting bracket  |         |                       | 1       |
|                       | 7        |      | OE 21532 | Distance piece | -        | mounting bracket  |         |                       | 1       |
|                       | 8        |      | OE 3213  | Jaw            |          |                   |         |                       | 2       |
|                       | 9        |      | OE 7274  | Jaw            |          |                   |         |                       | 1       |
|                       |          |      | OE 7249  | Lever          | assembly |                   |         |                       | 1       |
|                       | 10       |      | OE 7252  | Bush           |          |                   |         |                       | 1       |
|                       | 11       |      | OE 7152  | + Lever        |          |                   |         |                       | 1       |
|                       | 12       |      | UF 4554  | Nut            | - lock   | .312              | dia.    |                       | 6       |
|                       | 13       |      | UF 4354  | Nut            | - plain  | .312              | dia.    |                       | 4       |
|                       | 14       |      | KB 4560  | Pin            | - plain  | .312              | dia.    | by .875               | 1       |
|                       | 15       |      | KB 4565  | Pin            | - plain  | .312              | dia.    | by 1.875              | 1       |

Items marked + not supplied as spares

Compiled

LE

Date

25.2.63.

No. of pages

4

Alteration O.E.L.

Notes

B To replace A in complete sets when stocks of A are exhausted

Scheme No. OL. 1616 OL. 2318

# ROLLS-ROYCE LIMITED 'C' RANGE ENGINES

Group 180/183M

Page 2 Issue 3

Group Title CONTROLS (Engine)

| Alteration O.E.L. No.                 | Item No. | Note | Part No. | Description                   |          |      |                  |              | No. Off |
|---------------------------------------|----------|------|----------|-------------------------------|----------|------|------------------|--------------|---------|
|                                       |          |      |          | 1                             | 2        | 3    | 4                | 5            |         |
|                                       | 16       |      | K 4613   | Pin - split                   | .125 dia | -    | pivot pin        |              | 1       |
|                                       | 17       |      | K 4643   | Pin - split                   | .125 dia | -    | jaw pins         |              | 2       |
|                                       | 18       |      | OE 29901 | Pivot pin                     |          |      |                  |              | 1       |
|                                       | 19       |      | OE 16373 | Rod - speed control           |          |      |                  |              | 1       |
|                                       | 20       |      | OE 29228 | Rod - stop control            |          |      |                  |              | 1       |
|                                       | 21       |      | OE 5398  | Setscrew .312 dia.            | by 1.475 | -    | stop adjusting   |              | 2       |
|                                       |          | A    | UF 1602  | Setscrew .437 dia.            | by 1.00  | -    | control bracket  |              | 3       |
| 11243                                 | 22       | B    | UF 1604  | Setscrew .437 dia.            | by 1.250 | -    | control bracket  |              | 3       |
|                                       | 23       |      | UF 1569  | Setscrew .375 dia.            | by 3.750 | -    | solenoid bracket |              | 3       |
|                                       | 24       |      | OE 8248  | Spacing piece                 |          |      |                  |              | 1       |
|                                       | 25       |      | OE 7605  | Spacing washer                |          |      |                  |              | 1       |
|                                       | 26       |      | OD 9856  | Solenoid                      |          |      |                  |              | 1       |
| 10132                                 | 27       |      | ST 15902 | Washer - plain .312 dia.      |          |      |                  |              | 2       |
|                                       | 28       |      | OE 11543 | Washer - plain .531 dia.      |          |      |                  |              | 1       |
|                                       | 29       |      | OE 3491  | Washer - shakeproof .312 dia. |          |      |                  |              | 2       |
|                                       | 30       |      | ST 16259 | Washer - spring .312 dia.     |          |      |                  |              | 4       |
|                                       | 31       |      | ST 16260 | Washer - spring .375 dia.     |          |      |                  |              | 3       |
|                                       | 32       |      | ST 16261 | Washer - spring .437 dia.     |          |      |                  |              | 3       |
|                                       |          |      |          |                               |          |      |                  |              |         |
|                                       |          |      |          |                               |          |      |                  |              |         |
|                                       |          |      |          |                               |          |      |                  |              |         |
|                                       |          |      |          |                               |          |      |                  |              |         |
|                                       |          |      |          |                               |          |      |                  |              |         |
|                                       |          |      |          |                               |          |      |                  |              |         |
|                                       |          |      |          |                               |          |      |                  |              |         |
|                                       |          |      |          |                               |          |      |                  |              |         |
|                                       |          |      |          |                               |          |      |                  |              |         |
|                                       |          |      |          |                               |          |      |                  |              |         |
| Items marked + not supplied as spares |          |      |          | Compiled                      | LE       | Date | 1.9.64.          | No. of pages | 4       |
| Alteration O.E.L.                     |          |      |          | Notes                         |          |      |                  |              |         |
|                                       |          |      |          | A&B refer to notes on page 1  |          |      |                  |              |         |
| Scheme No. OL. 1616. OL. 2318.        |          |      |          |                               |          |      |                  |              |         |

# ROLLS-ROYCE LIMITED 'C' RANGE ENGINES

Group 180/183M

Page 3 Issue 1

Group Title CONTROLS(Engine)

| Alteration O.E.L. No. | Item No. | Note | Part No. | Description                         |   |   |   |   | No. Off |
|-----------------------|----------|------|----------|-------------------------------------|---|---|---|---|---------|
|                       |          |      |          | 1                                   | 2 | 3 | 4 | 5 |         |
|                       |          |      |          | FOR SPARES AND/OR SERVICE USE ONLY  |   |   |   |   |         |
|                       |          |      | OD 9856  | Solenoid                            |   |   |   |   | 1       |
|                       |          |      | OD 11127 | Bellows                             |   |   |   |   | 1       |
|                       |          |      | OD 7776  | Bridge piece assembly               |   |   |   |   | 1       |
|                       |          |      | OD 9699  | Cover - terminal                    |   |   |   |   | 1       |
|                       |          |      | OD 7999  | Clip - terminal cover               |   |   |   |   | 1       |
|                       |          |      | OD 11128 | Contact assembly                    |   |   |   |   | 1       |
|                       |          |      | OD 11129 | Bush                                |   |   |   |   | 1       |
|                       |          |      | OD 11130 | Bush - insulating                   |   |   |   |   | 1       |
|                       |          |      | OD 11131 | Contact - moving                    |   |   |   |   | 1       |
|                       |          |      | OD 11132 | Spring                              |   |   |   |   | 1       |
|                       |          |      | OD 11133 | Stud - contact                      |   |   |   |   | 2       |
|                       |          |      | OD 11134 | Washer                              |   |   |   |   | 2       |
|                       |          |      | OD 9935  | Washer                              |   |   |   |   | 1       |
|                       |          |      | OD 11135 | Coil assembly                       |   |   |   |   | 1       |
|                       |          |      | OD 7998  | Circlip                             |   |   |   |   | 1       |
|                       |          |      | OD 11136 | Circlip - end plate                 |   |   |   |   | 1       |
|                       |          |      | OD 7999  | Clip - bellows                      |   |   |   |   | 1       |
|                       |          |      | OD 11137 | Link end and solenoid core assembly |   |   |   |   | 1       |
|                       |          |      | OD 11138 | Link end                            |   |   |   |   | 1       |
|                       |          |      | OD 11139 | Ring - spring                       |   |   |   |   | 1       |
|                       |          |      | OD 11140 | Spring                              |   |   |   |   | 1       |

Items marked + not supplied as spares

Compiled

JE

Date

25.2.63.

No. of pages

4

Alteration O.E.L.

Notes

Scheme No.

# ROLLS-ROYCE LIMITED 'C' RANGE ENGINES

Group 180/183M

Page 4 Issue 1

Group Title CONTROLS (Engine)

| Alteration O.E.L. No. | Item No. | Note | Part No. |   |   |   |   |   | Description | No. Off                                   |   |
|-----------------------|----------|------|----------|---|---|---|---|---|-------------|---|---|
|                       |          |      |          | 1 | 2 | 3 | 4 | 5 |             |   |   |
|                       |          |      |          |   |   |   |   |   |             | FOR SPARES AND/OR SERVICE USE ONLY (cont) |   |
|                       |          |      | OD 7770  |   |   |   |   |   |             | Nut - terminal cover clip                 | 1 |
|                       |          |      | OD 11141 |   |   |   |   |   |             | Nut - terminal                            | 2 |
|                       |          |      | OD 7770  |   |   |   |   |   |             | Nut - bellows clip                        | 1 |
|                       |          |      | OD 11142 |   |   |   |   |   |             | Plate - end - solenoid                    | 1 |
|                       |          |      | OD 11143 |   |   |   |   |   |             | Plate - spring                            | 1 |
|                       |          |      | OD 11144 |   |   |   |   |   |             | Pin - stop                                | 1 |
|                       |          |      | OD 11145 |   |   |   |   |   |             | Plate - end - spring                      | 1 |
|                       |          |      | OD 3094  |   |   |   |   |   |             | Screw - terminal cover clip               | 1 |
|                       |          |      | OD 7772  |   |   |   |   |   |             | Screw - bridge piece                      | 2 |
|                       |          |      | OD 7775  |   |   |   |   |   |             | Spring - contact                          | 1 |
|                       |          |      | OD 7778  |   |   |   |   |   |             | Shim                                      | 1 |
|                       |          |      | OD 11146 |   |   |   |   |   |             | Spring - bellows                          | 1 |
|                       |          |      | OD 3094  |   |   |   |   |   |             | Screw - bellows clip                      | 1 |
|                       |          |      | OD 11147 |   |   |   |   |   |             | Terminal block                            | 1 |
|                       |          |      | OD 7963  |   |   |   |   |   |             | Washer                                    | 2 |
|                       |          |      | OD 2624  |   |   |   |   |   |             | Washer - spring                           | 2 |
|                       |          |      | OD 7997  |   |   |   |   |   |             | Washer - coil                             | 2 |

Items marked + not supplied as spares

Compiled

JE

Date

25.2.63.

No. of pages

4

Alteration O.E.L.

Notes

Scheme No.



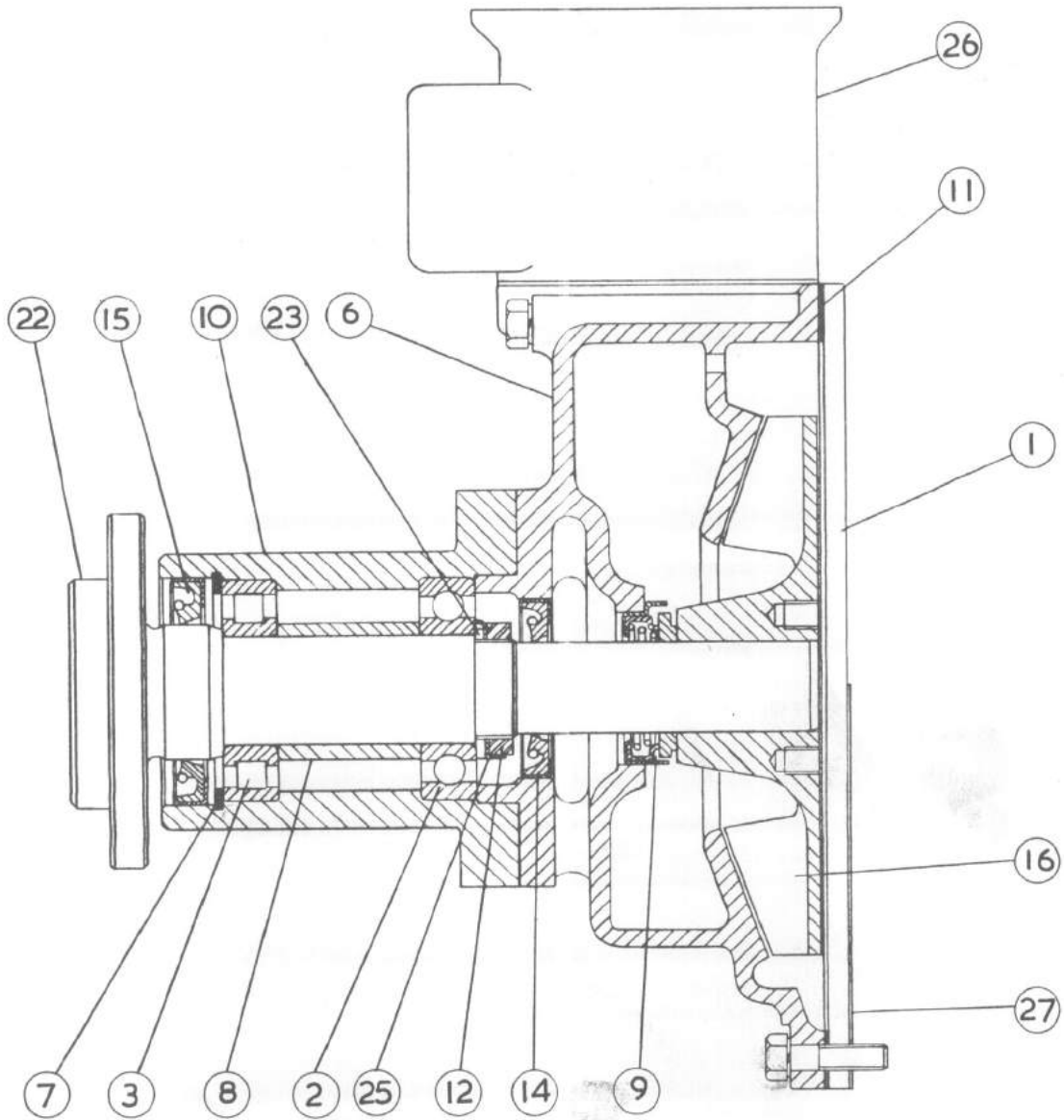
ROLLS-ROYCE LIMITED 'C' RANGE ENGINES

Group 190/88

Group Title

COOLANT PUMP

Plate 1 Issue 1



|          |     |      |         |               |   |
|----------|-----|------|---------|---------------|---|
| Compiled | CRC | Date | 5.12.62 | No. of plates | 2 |
|----------|-----|------|---------|---------------|---|



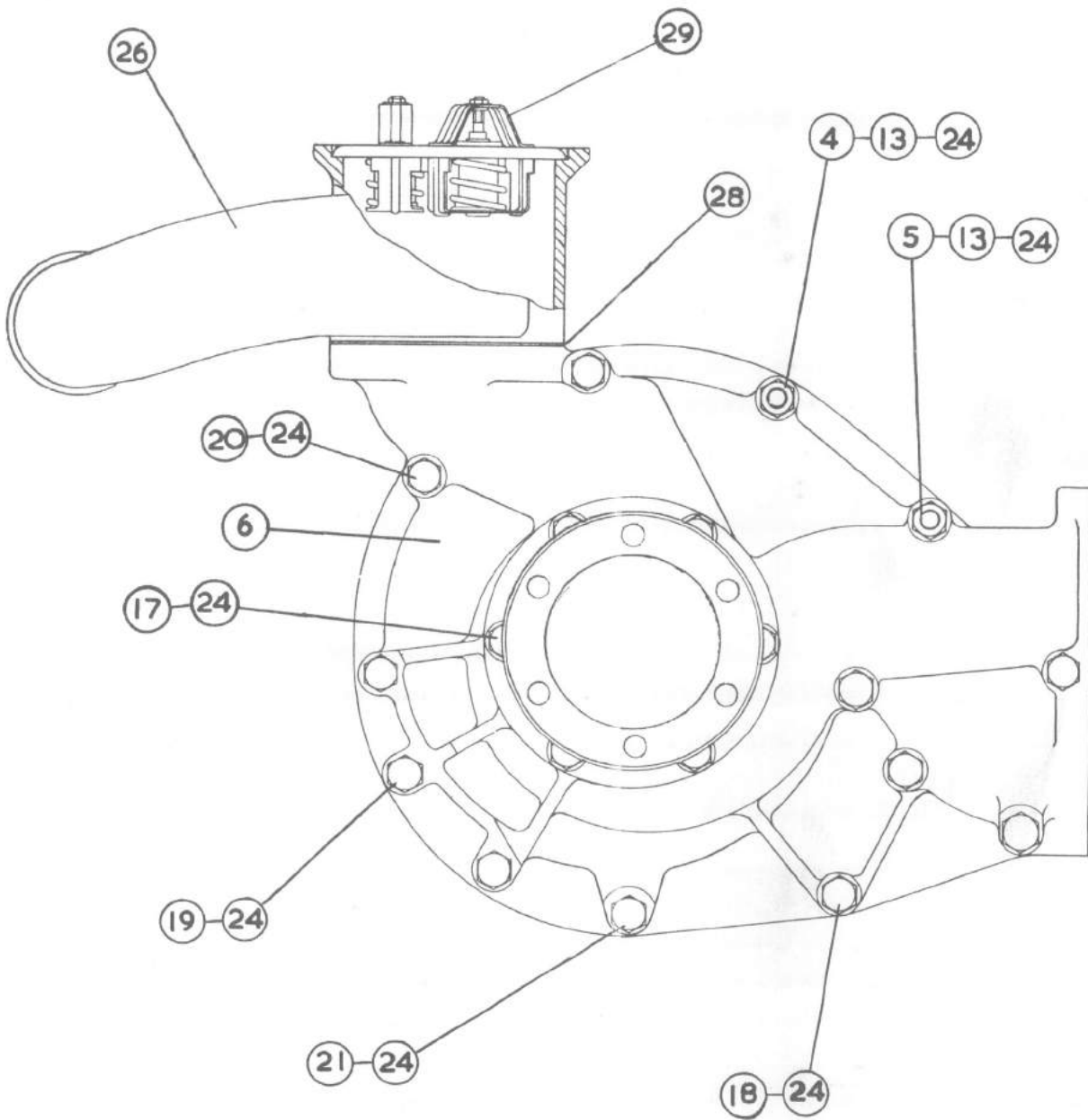
ROLLS-ROYCE LIMITED 'C' RANGE ENGINES

Group 190/88

Group Title

COOLANT PUMP

Plate 2 Issue 1



|          |     |      |         |               |   |
|----------|-----|------|---------|---------------|---|
| Compiled | CRC | Date | 5.12.62 | No. of plates | 2 |
|----------|-----|------|---------|---------------|---|

# ROLLS-ROYCE LIMITED 'C' RANGE ENGINES

Group 190/88M

Page 1 Issue 2

Group Title

COOLANT PUMP

| Alteration<br>O.E.L.<br>No. | Item<br>No. | Note | Part No. | Description                                  |   |   |   |   | No.<br>Off |
|-----------------------------|-------------|------|----------|--|---|---|---|---|------------|
|                             |             |      |          | 1  | 2 | 3 | 4 | 5 |            |
|                             |             |      | OE 29153 | Coolant pump assembly                        |   |   |   |   | 1          |
|                             | 1           |      | OE 26472 | Backplate                                    |   |   |   |   | 1          |
|                             | 2           |      | OE 1378  | Bearing - ball 30mm by 62mm by 16mm          |   |   |   |   | 1          |
|                             | 3           |      | OE 1427  | Bearing - roller 30mm by 62mm by 16mm        |   |   |   |   | 1          |
|                             | 4           |      | UF 1512  | Bolt .312 dia. by 2.00 - casing to backplate |   |   |   |   | 1          |
|                             | 5           |      | UF 2116  | Bolt .312 dia. by 3.50 - casing to backplate |   |   |   |   | 1          |
|                             | 6           |      | OE 29088 | Casing                                       |   |   |   |   | 1          |
|                             | 7           |      | KB 14058 | Circlip 2.50                                 |   |   |   |   | 1          |
|                             | 8           |      | OE 4717  | Distance piece - bearings                    |   |   |   |   | 1          |
|                             | 9           |      | OE 19075 | Gland seal                                   |   |   |   |   | 1          |
|                             | 10          |      | OE 29090 | Housing - bearings                           |   |   |   |   | 1          |
|                             | 11          |      | OE 22858 | Joint - backplate to casing                  |   |   |   |   | 1          |
|                             | 12          |      | OE 23412 | Nut - lock                                   |   |   |   |   | 1          |
|                             | 13          | F    | UF 4354  | Nut - plain .312 dia.                        |   |   |   |   | 11         |
|                             | 14          |      | OE 504   | Oil seal - inner                             |   |   |   |   | 1          |
|                             | 15          |      | OE 17190 | Oil seal - outer                             |   |   |   |   | 1          |
|                             | 16          |      | OE 29092 | Rotor  |   |   |   |   | 1          |
| 10443                       | 17          |      | UF 1505  | Setscrew .312 dia. by 1.125                  |   |   |   |   |            |
|                             |             |      |          | bearing housing to casing                    |   |   |   |   | 6          |
|                             | 18          |      | UF 1515  | Setscrew .312 dia. by 2.750                  |   |   |   |   |            |
|                             |             |      |          | pump to crankcase                            |   |   |   |   | 3          |

Items marked + not supplied as spares

Compiled

GP

Date

20.11.63.

No. of pages

2

Alteration O.E.L.

Notes

F 9 of these are required for transportation only.

Scheme No.

# ROLLS-ROYCE LIMITED 'C' RANGE ENGINES

Group 190/88M

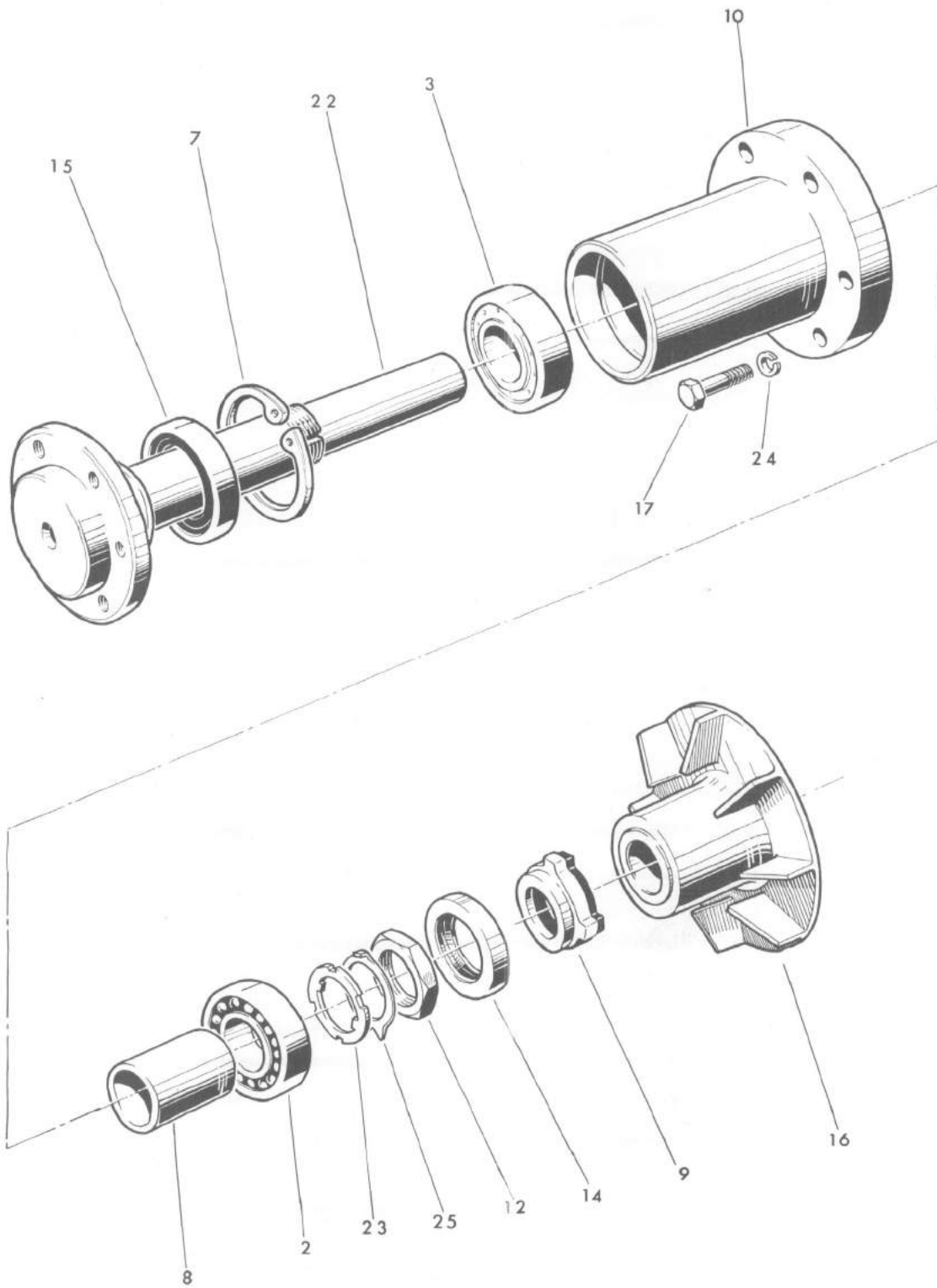
Page 2 Issue 1

Group Title

COOLANT PUMP

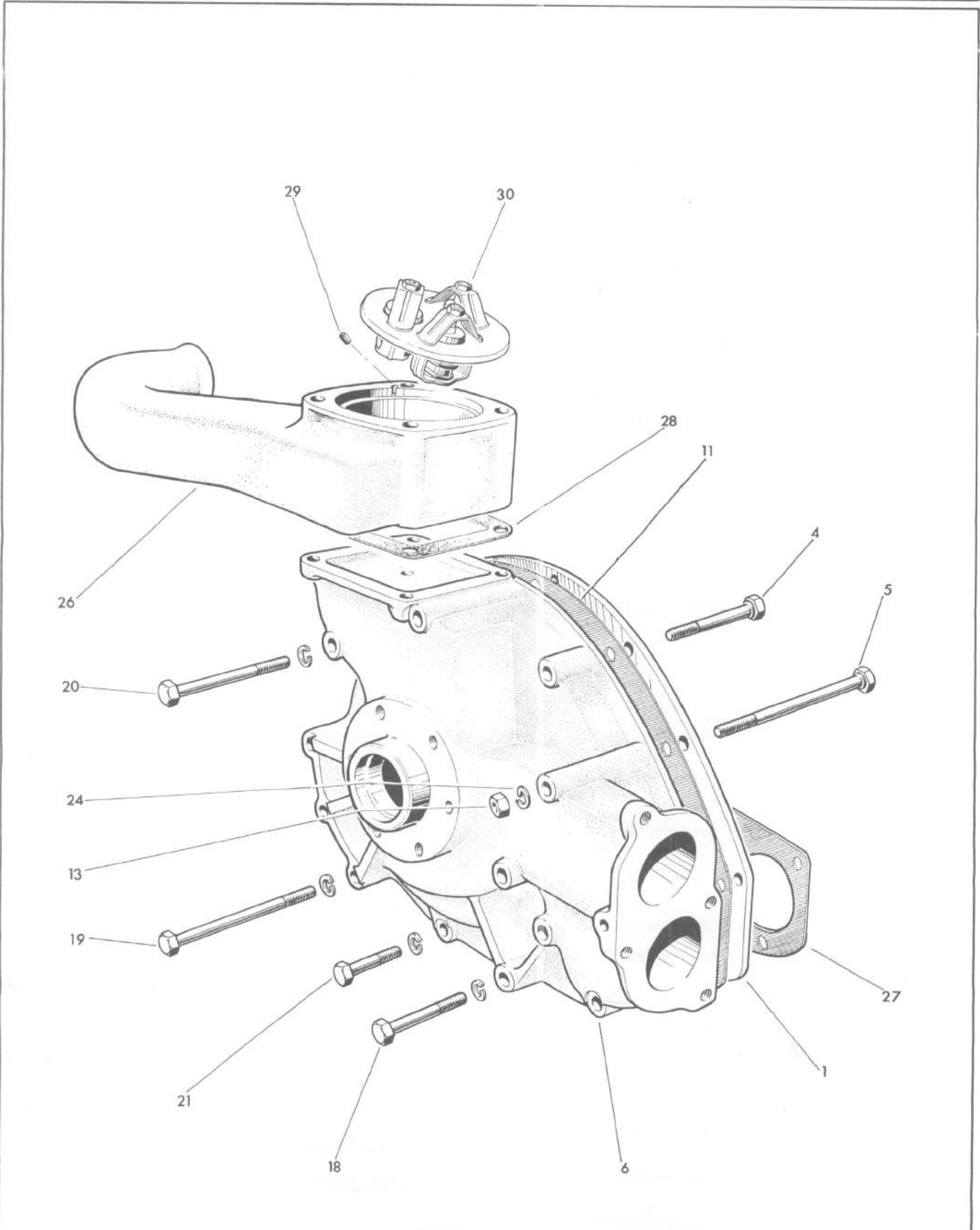
| Alteration O.E.L. No.                 | Item No. | Note | Part No.  |   |    |      |         |              | Description                 | No. Off |
|---------------------------------------|----------|------|-----------|---|----|------|---------|--------------|-----------------------------|---------|
|                                       |          |      |           | 1   | 2  | 3    | 4       | 5            |                             |         |
|                                       | 19       | G    | UF 1519   |   |    |      |         |              | Setscrew .312 dia. by 3.750 |         |
|                                       |          |      |           |   |    |      |         |              | pump to crankcase           | 5       |
|                                       | 20       |      | UF 2116   |   |    |      |         |              | Setscrew .312 dia. by 3.500 |         |
|                                       |          |      |           |   |    |      |         |              | pump to crankcase           | 2       |
|                                       | 21       |      | UF 1506   |   |    |      |         |              | Setscrew .312 dia. by 1.250 |         |
|                                       |          |      |           |   |    |      |         |              | pump to crankcase           | 1       |
|                                       | 22       |      | OE 29091  |   |    |      |         |              | Shaft                       | 1       |
|                                       | 23       |      | OE 512    |   |    |      |         |              | Washer - key 1.125 dia.     | 1       |
|                                       | 24       |      | ST 16259  |   |    |      |         |              | Washer - spring .312 dia.   | 19      |
|                                       | 25       |      | OE 9785   |   |    |      |         |              | Washer - tab                | 1       |
|                                       | 26       |      | OE 27180  |   |    |      |         |              | Housing - thermostat        | 1       |
|                                       | 27       |      | OE 22857  |   |    |      |         |              | Joint - pump to crankcase   | 1       |
|                                       | 28       |      | OE 22862  |   |    |      |         |              | Joint - thermostat housing  | 1       |
|                                       | 29       |      | UF 5403   |   |    |      |         |              | Plug .812 dia.              | 1       |
|                                       | 30       | A    | OE22080/1 |   |    |      |         |              | Thermostat                  | 1       |
|                                       |          | B    | OE 29173  |   |    |      |         |              | Thermostat                  | 1       |
|                                       | 31       |      | KB 1089   |   |    |      |         |              | Washer - joint .812 i/d     | 1       |
| FOR SPARES AND/OR SERVICE USE ONLY    |          |      |           |   |    |      |         |              |                             |         |
|                                       |          |      | OE 18393  |   |    |      |         |              | Gland insert - see OEB 231  | 1       |
| Items marked + not supplied as spares |          |      |           | Compiled  | GP | Date | 7.2.63. | No. of pages | 2                           |         |
| Alteration O.E.L.                     |          |      |           | Notes   |    |      |         |              |                             |         |
|                                       |          |      |           | B To replace A when stocks of A are exhausted                   |    |      |         |              |                             |         |
|                                       |          |      |           | G This quantity will vary with fitment of dynamo mounting plate |    |      |         |              |                             |         |
| Scheme No.                            |          |      |           |   |    |      |         |              |                             |         |

SP



|          |     |      |          |               |   |
|----------|-----|------|----------|---------------|---|
| Compiled | B H | Date | 13-11-63 | No. of plates | 2 |
|----------|-----|------|----------|---------------|---|

Group Title COOLANT PUMP



|          |     |      |          |               |   |
|----------|-----|------|----------|---------------|---|
| Compiled | B H | Date | 13.11.63 | No. of plates | 2 |
|----------|-----|------|----------|---------------|---|



ROLLS-ROYCE LIMITED 'C' RANGE ENGINES

Group 190/97M  
Page 1 Issue 1

Group Title COOLANT PUMP

| Alteration O.E.L No. | Item No. | Note | Part No. | Description                                  |   |   |   |   | No. Off |
|----------------------|----------|------|----------|--|---|---|---|---|---------|
|                      |          |      |          | 1  | 2 | 3 | 4 | 5 |         |
|                      |          |      | OE 31343 | Coolant pump assembly                        |   |   |   |   | 1       |
|                      | 1        |      | OE 26472 | Backplate                                    |   |   |   |   | 1       |
|                      | 2        |      | OE 1378  | Bearing - ball 30 mm by 62 mm by 16 mm       |   |   |   |   | 1       |
|                      | 3        |      | OE 1427  | Bearing - roller 30 mm by 62 mm by 16 mm     |   |   |   |   | 1       |
|                      | 4        |      | UF 1512  | Bolt .312 dia. by 2.00 - casing to backplate |   |   |   |   | 1       |
|                      | 5        |      | UF 1518  | Bolt .312 dia. by 3.50 - casing to backplate |   |   |   |   | 1       |
|                      | 6        |      | OE 31049 | Casing                                       |   |   |   |   | 1       |
|                      | 7        |      | KB 14058 | Circlip 2.50                                 |   |   |   |   | 1       |
|                      | 8        |      | OE 4717  | Distance piece - bearings                    |   |   |   |   | 1       |
|                      | 9        |      | OE 19075 | Gland seal                                   |   |   |   |   | 1       |
|                      | 10       |      | OE 29090 | Housing - bearings                           |   |   |   |   | 1       |
|                      | 11       |      | OE 22858 | Joint - backplate to casing                  |   |   |   |   | 1       |
|                      | 12       |      | OE 23412 | Nut - lock                                   |   |   |   |   | 1       |
|                      | 13       | F    | UF 4354  | Nut - plain .312 dia.                        |   |   |   |   | 11      |
|                      | 14       |      | OE 504   | Oil seal - inner                             |   |   |   |   | 1       |
|                      | 15       |      | OE 17190 | Oil seal - outer                             |   |   |   |   | 1       |
|                      | 16       |      | OE 29092 | Rotor  |   |   |   |   | 1       |
|                      | 17       |      | UF 1505  | Setscrew .312 dia. by 1.125                  |   |   |   |   |         |
|                      |          |      |          | bearing housing to casing                    |   |   |   |   | 6       |
|                      | 18       |      | UF 1515  | Setscrew .312 dia. by 2.750                  |   |   |   |   |         |
|                      |          |      |          | pump to crankcase                            |   |   |   |   | 3       |

|                                       |          |    |   |         |              |   |
|---------------------------------------|----------|----|---|---------|--------------|---|
| Items marked + not supplied as spares | Compiled | GP | Date  | 14.4.64 | No. of pages | 2 |
| Alteration O.E.L.                     |          |    | Notes   |         |              |   |
|                                       |          |    | F 9 of these are required for transportation only |         |              |   |
| Scheme No.                            |          |    |   |         |              |   |

# ROLLS-ROYCE LIMITED 'C' RANGE ENGINES

Group 190/97M  
Page 2 Issue 1

Group Title COOLANT PUMP

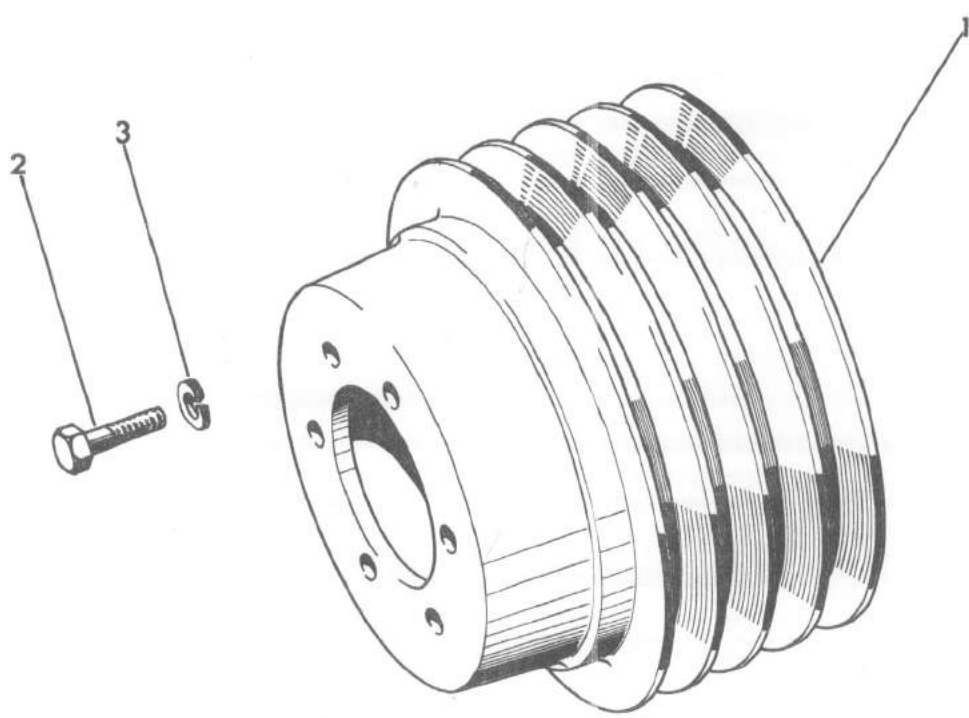
| Alteration O.E.L. No.              | Item No. | Note | Part No. |   |   |   |   |   | Description                    | No. Off |
|------------------------------------|----------|------|----------|---|---|---|---|---|--------------------------------|---------|
|                                    |          |      |          | 1 | 2 | 3 | 4 | 5 |                                |         |
|                                    | 19       | G    | UF 1519  |   |   |   |   |   | Setscrew .312 dia. by 3.750    |         |
|                                    |          |      |          |   |   |   |   |   | pump to crankcase              | 5       |
|                                    | 20       |      | UF 2116  |   |   |   |   |   | Setscrew .312 dia. by 3.500    |         |
|                                    |          |      |          |   |   |   |   |   | pump to crankcase              | 2       |
|                                    | 21       |      | UF 1506  |   |   |   |   |   | Setscrew .312 dia. by 1.250    |         |
|                                    |          |      |          |   |   |   |   |   | pump to crankcase              | 1       |
|                                    | 22       |      | OE 29091 |   |   |   |   |   | Shaft                          | 1       |
|                                    | 23       |      | OE 512   |   |   |   |   |   | Washer - key 1.125 dia.        | 1       |
|                                    | 24       |      | ST 16259 |   |   |   |   |   | Washer - spring .312 dia.      | 19      |
|                                    | 25       |      | OE 9785  |   |   |   |   |   | Washer - tab                   | 1       |
|                                    | 26       |      | OE 31061 |   |   |   |   |   | Housing - thermostat           | 1       |
|                                    | 27       |      | OE 22857 |   |   |   |   |   | Joint - pump to crankcase      | 1       |
|                                    | 28       |      | OE 22862 |   |   |   |   |   | Joint - thermostat housing     | 1       |
|                                    | 29       |      | OE 29192 |   |   |   |   |   | Roll pin - thermostat locating | 1       |
|                                    | 30       |      | OE 29173 |   |   |   |   |   | Thermostat                     | 1       |
| FOR SPARES AND/OR SERVICE USE ONLY |          |      |          |   |   |   |   |   |                                |         |
|                                    |          |      | OE 18393 |   |   |   |   |   | Gland insert - see OEB 231     |         |

|                                       |  |  |    |      |         |              |   |
|---------------------------------------|--|--|----|------|---------|--------------|---|
| Items marked + not supplied as spares |  | Compiled   | GP | Date | 14.4.64 | No. of pages | 2 |
| Alteration O.E.L.                     |  | Notes  |    |      |         |              |   |
|                                       |  | G this quantity will vary with fitment of Dyn amo mounting plate |    |      |         |              |   |
| Scheme No.                            |  |  |    |      |         |              |   |



Group Title

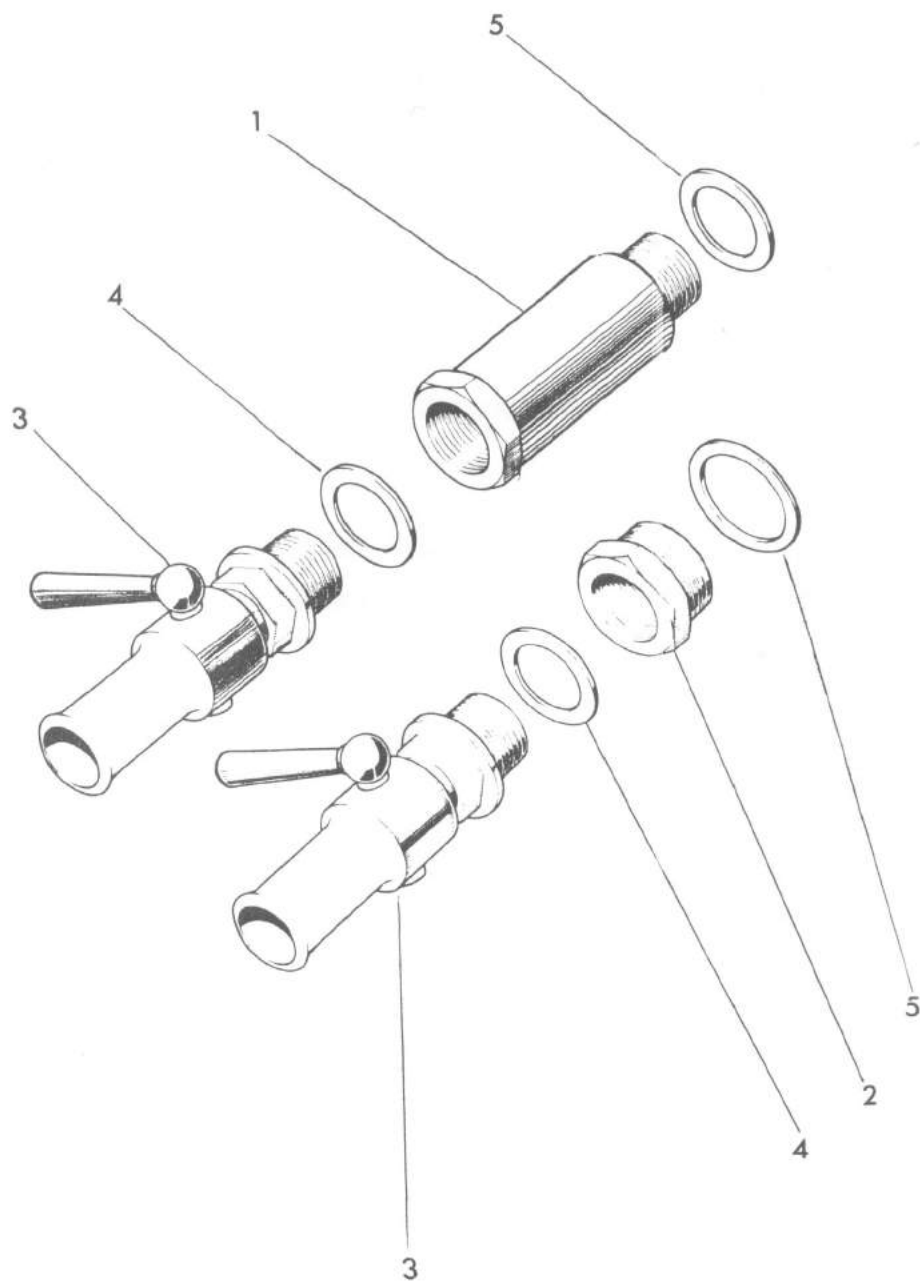
COOLANT PUMP PULLEY



|          |    |      |            |               |   |
|----------|----|------|------------|---------------|---|
| Compiled | GC | Date | 8 · 7 · 64 | No. of plates | 1 |
|----------|----|------|------------|---------------|---|



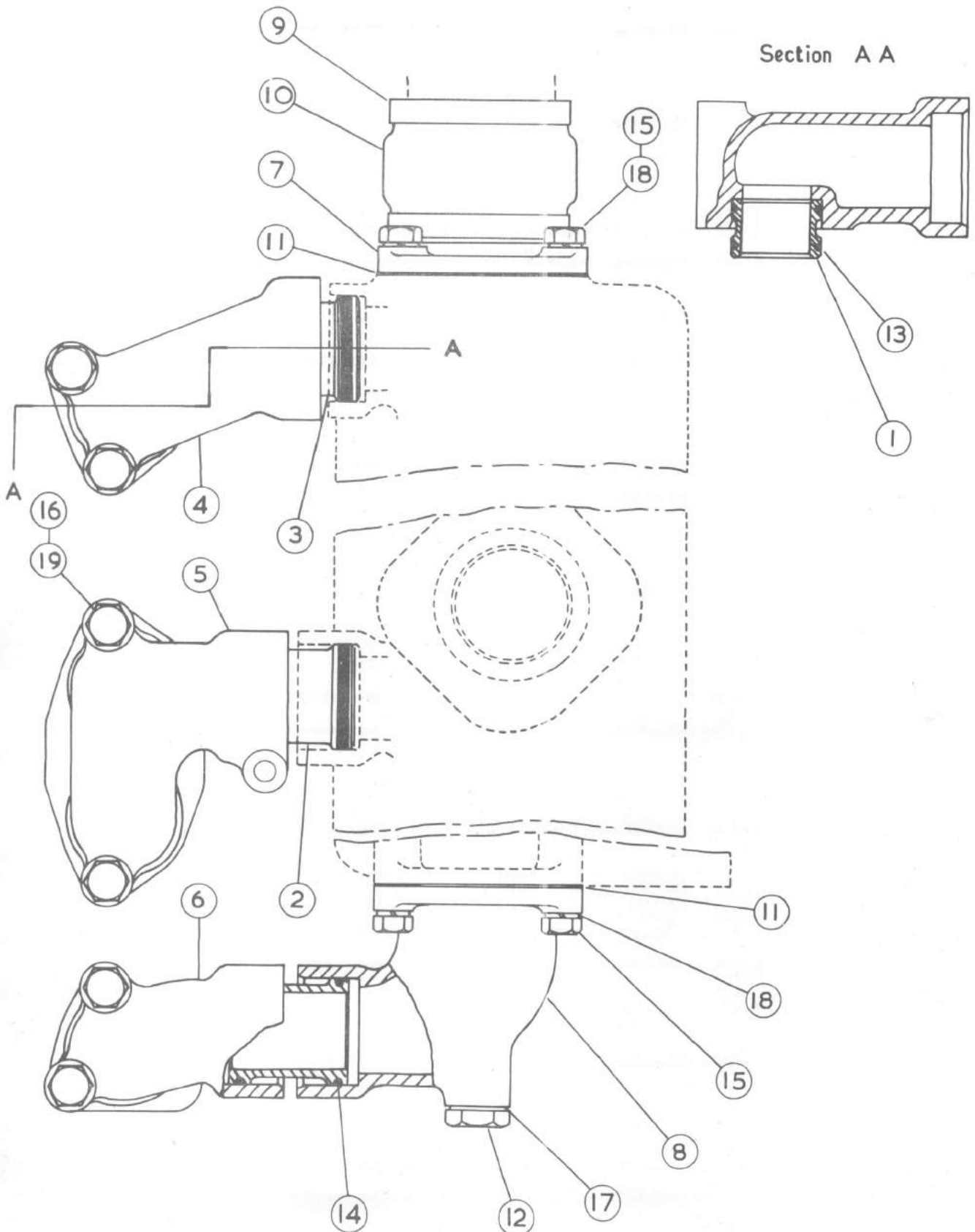




|          |     |      |           |               |   |
|----------|-----|------|-----------|---------------|---|
| Compiled | KGS | Date | 21. 4. 64 | No. of plates | 1 |
|----------|-----|------|-----------|---------------|---|



COOLANT CONNECTIONS  
EXHAUST MANIFOLD



# ROLLS-ROYCE LIMITED 'C' RANGE ENGINES

Group 197/33M  
Page 1 Issue 1

Group Title COOLANT CONNECTIONS - EXHAUST MANIFOLD

| Alteration O.E.L. No. | Item No. | Note | Part No. | Description     |   |                                  |   |   | No. Off |   |   |
|-----------------------|----------|------|----------|-----------------|---|----------------------------------|---|---|---------|---|---|
|                       |          |      |          | 1               | 2 | 3                                | 4 | 5 |         |   |   |
|                       | 1        |      | KB 6486  | Bobbin          | - | connections                      |   |   |         | * | 4 |
|                       | 2        |      | OE 3681  | Bobbin          | - | centre and rear                  |   |   |         | * | 2 |
|                       | 3        |      | OE 27410 | Bobbin          | - | front connection                 |   |   |         | * | 1 |
|                       | 4        |      | OE 27409 | Connection      | - | front to cylinder head           |   |   |         |   | 1 |
|                       | 5        |      | OE 3657  | Connection      | - | centre to cylinder head          |   |   |         |   | 1 |
|                       | 6        |      | OE 3658  | Connection      | - | rear to cylinder head            |   |   |         |   | 1 |
|                       | 7        |      | OE 27199 | Connection      | - | manifold to thermostat housing   |   |   |         |   | 1 |
|                       | 8        |      | OE 27795 | Connection      | - | rear to manifold                 |   |   |         |   | 1 |
|                       | 9        |      | OE 2283  | Clip            | - | hose                             |   |   |         |   | 2 |
|                       | 10       |      | OE 4975  | Hose            | - | connection to thermostat housing |   |   |         |   | 1 |
|                       | 11       |      | OE 3684  | Joint           | - | connection to thermostat housing |   |   |         |   | 1 |
|                       |          |      |          |                 |   | - connection - manifold rear     |   |   |         |   | 1 |
|                       | 12       | A    | UF 5400  | Plug            | - | .625 dia. - rear connection      |   |   |         |   | 1 |
|                       | 13       |      | KB 16613 | Sealing ring    |   | 1.075 i/d                        |   |   |         |   | 8 |
|                       | 14       |      | KB 16617 | Sealing ring    |   | 1.325 i/d                        |   |   |         |   | 6 |
|                       | 15       |      | UF 1504  | Setscrew        |   | .312 dia. by 1.00                |   |   |         |   |   |
|                       |          |      |          |                 |   | connections to manifold          |   |   |         |   | 8 |
|                       | 16       |      | UF 1564  | Setscrew        |   | .375 dia. by 2.50                |   |   |         |   |   |
|                       |          |      |          |                 |   | connections to cylinder head     |   |   |         |   | 6 |
|                       | 17       | A    | KB 1081  | Washer + joint  |   | .625 i/d                         |   |   |         |   | 1 |
|                       | 18       |      | ST 16259 | Washer - spring |   | .312 i/d                         |   |   |         |   | 8 |
|                       | 19       |      | ST 16260 | Washer - spring |   | .375 i/d                         |   |   |         |   | 6 |

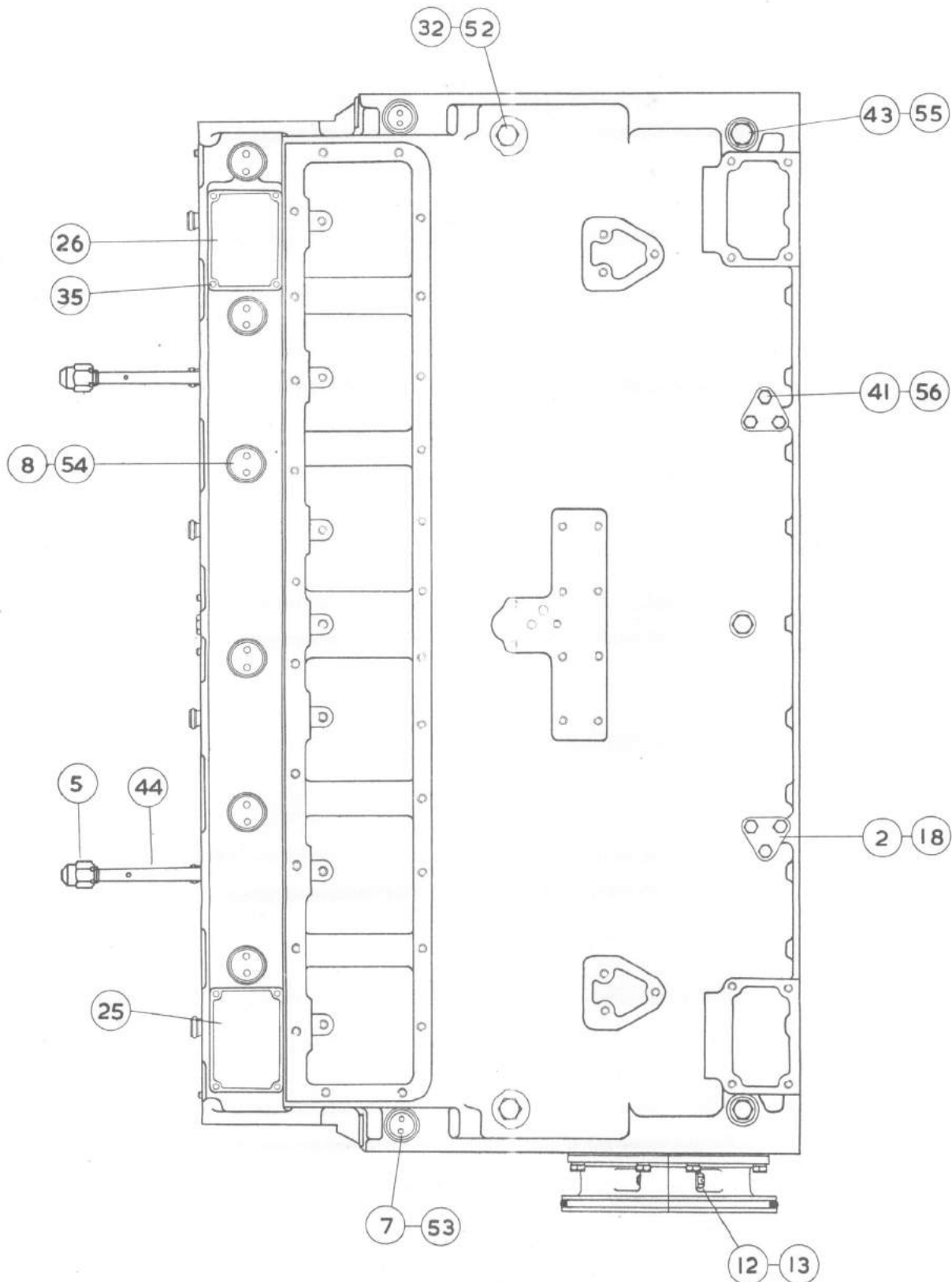
|                                       |  |    |      |         |              |   |
|---------------------------------------|--|----|------|---------|--------------|---|
| Items marked + not supplied as spares | Compiled   | GP | Date | 14.4.64 | No. of pages | 1 |
| Alteration O.E.L.                     | Notes  |    |      |         |              |   |
|                                       | A Quantities may vary if certain option equipment is fitted. |    |      |         |              |   |
| Scheme No.                            |  |    |      |         |              |   |

# ROLLS-ROYCE LIMITED 'C' RANGE ENGINES

Group 230/188

Group Title CRANKCASE AND BEARINGS

Plate 3 Issue 1



|          |        |      |         |               |   |
|----------|--------|------|---------|---------------|---|
| Compiled | D.S.E. | Date | 20.3.62 | No. of plates | 3 |
|----------|--------|------|---------|---------------|---|

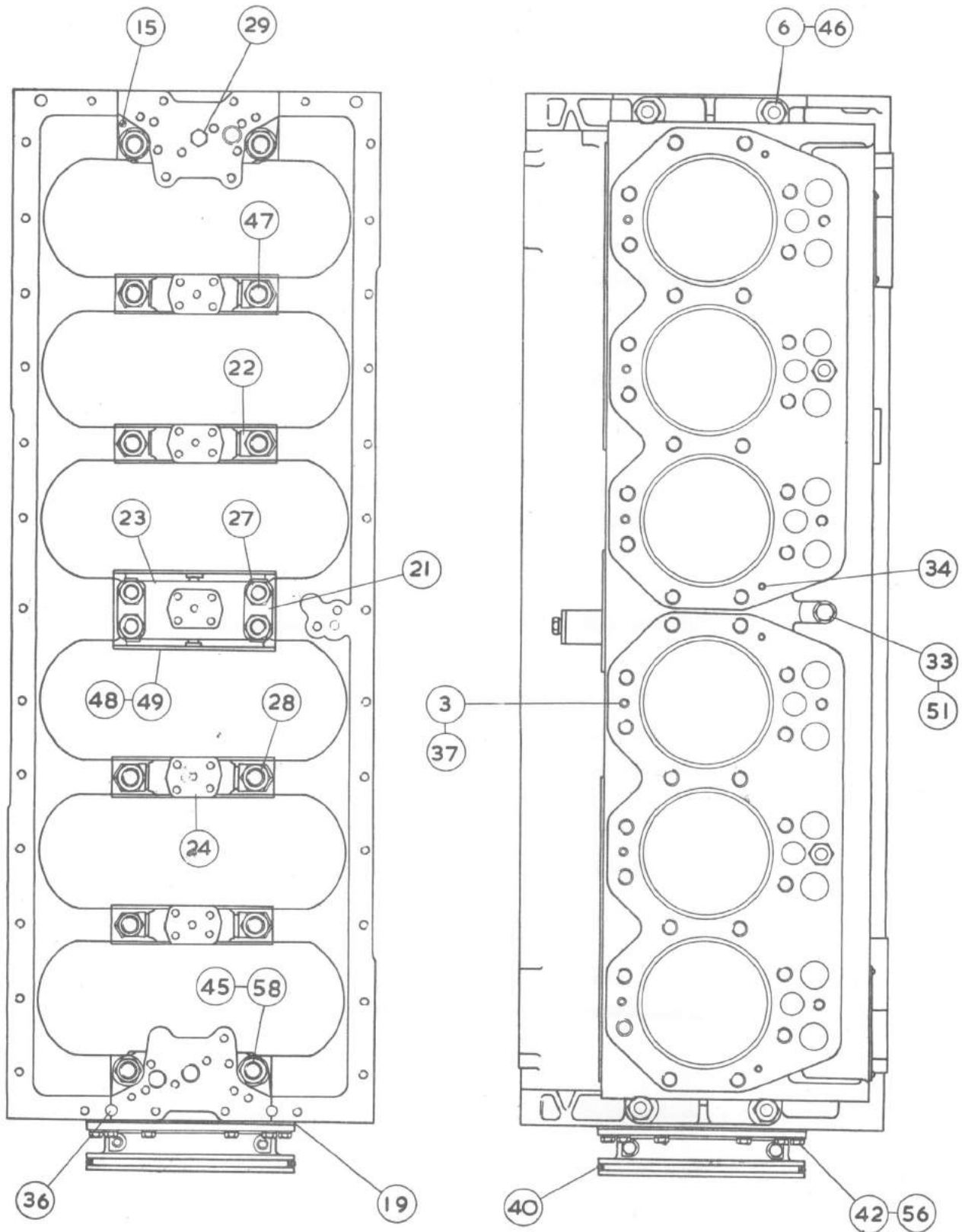


# ROLLS-ROYCE LIMITED 'C' RANGE ENGINES

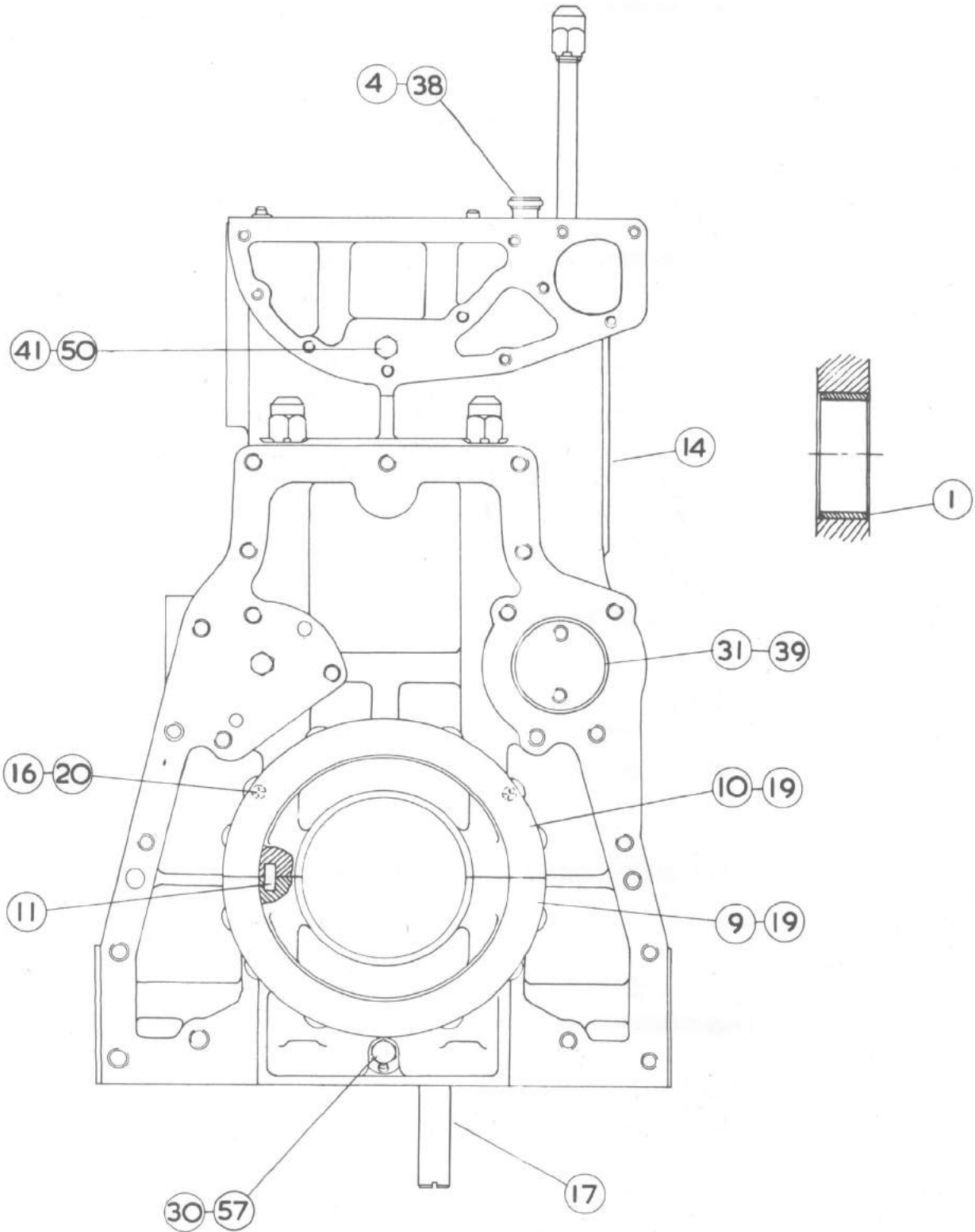
Group 230/188

Group Title CRANKCASE AND BEARINGS

Plate 2 Issue 1



|          |        |      |         |               |   |
|----------|--------|------|---------|---------------|---|
| Compiled | D.S.E. | Date | 20.3.62 | No. of plates | 3 |
|----------|--------|------|---------|---------------|---|



# ROLLS-ROYCE LIMITED 'C' RANGE ENGINES

Group 230/188M

Page 1 Issue 1

## CRANKCASE AND BEARINGS

Group Title

| Alteration O.E.L. No. | Item No. | Note | Part No. | Description    |   |                     |   |   | No. Off |   |
|-----------------------|----------|------|----------|----------------|---|---------------------|---|---|---------|---|
|                       |          |      |          | 1              | 2 | 3                   | 4 | 5 |         |   |
|                       | 1        |      | OE 5726  | Bearing        | - | camshaft            |   |   |         | 9 |
|                       |          | +    | OE 28708 | Bearing cap    | - | rear                |   |   |         | 1 |
|                       |          | +    | OE 7616  | Bearing cap    | - | centre              |   |   |         | 1 |
|                       |          | +    | OE 28707 | Bearing cap    | - | front               |   |   |         | 1 |
|                       |          | +    | OE 2237  | Bearing cap    | - | intermediate        |   |   |         | 4 |
|                       | 2        | B    | OE 1505  | Blanking plate |   |                     |   |   |         | 2 |
|                       | 3        |      | OE 6896  | Bobbin         | - | steam vent          |   |   | *       | 6 |
|                       | 4        |      | OE 1595  | Bobbin         | - | water transfer      |   |   | *       | 6 |
|                       | 5        |      | OE 2990  | Cap nut        | - | cylinder head studs |   |   |         | 2 |
|                       | 6        |      | OE 4402  | Cap nut        | - | end bearing studs   |   |   |         | 4 |
|                       | 7        | B    | UF 5003  | Core plug      |   | .812 dia.           |   |   |         | 6 |
|                       | 8        | B    | UF 5008  | Core plug      |   | 1.125 dia.          |   |   |         | 6 |
|                       |          |      | OE 28713 | Cover assembly | - | crankshaft rear end |   |   |         | 1 |
|                       | 9        |      | OE 28710 | + Cover        | - | lower               |   |   |         | 1 |
|                       | 10       |      | OE 28709 | + Cover        | - | upper               |   |   |         | 1 |
|                       | 11       |      | OE 8175  | Dowel          |   |                     |   |   |         | 2 |
|                       | 12       |      | UF 1510  | Setscrew       |   | .312 dia. by 1.750  |   |   |         | 2 |
|                       | 13       |      | ST 16259 | Washer         | - | spring .312 i/d     |   |   |         | 2 |
|                       | 14       | +    | OE 28808 | Crankcase      |   |                     |   |   |         | 1 |

Items marked + not supplied as spares

Compiled

GP

Date

7.2.63.

No. of pages

6

Alteration O.E.L.

Notes

B Quantities may be reduced if certain optional equipment is fitted

Scheme No.

GP

# ROLLS-ROYCE LIMITED 'C' RANGE ENGINES

Group 230/188M  
Page 2 Issue 4

Group Title

CRANKCASE AND BEARINGS

| Alteration O.E.L. No.                 | Item No. | Note | Part No. | Description   |    |      |          |              | No. Off |
|---------------------------------------|----------|------|----------|---|----|------|----------|--------------|---------|
|                                       |          |      |          | 1   | 2  | 3    | 4        | 5            |         |
|                                       | 15       |      | OE 2349  | Dowel - bearing cap - front, centre and rear                        |    |      |          |              | 3       |
| 11019                                 | 16       |      | OE 33849 | Dowel - rear end cover  |    |      |          |              | 2       |
|                                       | 17       |      | OE 2507  | Drain tube - rear bearing cap                                       |    |      |          |              | 1       |
|                                       | 18       | B    | OE 1504  | Joint - blanking plate  |    |      |          |              | 2       |
|                                       | 19       |      | OE 5108  | Joint - lower and upper - rear end cover                            |    |      |          |              | 2       |
|                                       | 20       |      | OE 2296  | Locking ring - dowel  |    |      |          |              | 2       |
|                                       | 21       |      | OE 2347  | Lockplate - centre cap nuts   |    |      |          |              | 2       |
|                                       | 22       |      | OE 2348  | Lockplate - intermediate cap nuts                                   |    |      |          |              | 8       |
|                                       | 23       |      | OE 1878  | Main bearing - front, centre and rear                               |    |      |          |              | 6       |
|                                       | 24       |      | OE 1879  | Main bearing - intermediate   |    |      |          |              | 8       |
| 11799                                 | 25       |      | OE 33554 | Modification plate  |    |      |          |              | 1       |
|                                       | 26       |      | OE 28771 | Nameplate   |    |      |          |              | 1       |
|                                       | 27       |      | OE 2345  | Nut - bearing caps - front, centre and rear                         |    |      |          |              | 8       |
|                                       | 28       |      | OE 2346  | Nut - bearing caps - intermediate                                   |    |      |          |              | 8       |
|                                       | 29       |      | OE 2502  | Plug - bearing caps - front   |    |      |          |              | 1       |
|                                       | 30       |      | OE 2503  | Plug - bearing cap - rear   |    |      |          |              | 1       |
|                                       | 31       |      | OE 3947  | Plug - camshaft drilling  |    |      |          |              | 1       |
| 10062                                 | 32       | B    | UF 5400  | Plug - camshaft oil drilling  |    |      |          |              | 4       |
|                                       | 33       |      | OE 3385  | Plug - camshaft oil drilling  |    |      |          |              | 1       |
|                                       |          |      |          |   |    |      |          |              |         |
|                                       |          |      |          |   |    |      |          |              |         |
|                                       |          |      |          |   |    |      |          |              |         |
|                                       |          |      |          |   |    |      |          |              |         |
|                                       |          |      |          |   |    |      |          |              |         |
| Items marked + not supplied as spares |          |      |          | Compiled  | GP | Date | 21.9.64. | No. of pages | 6       |
| Alteration O.E.L.                     |          |      |          | Notes   |    |      |          |              |         |
|                                       |          |      |          | B Quantities may be reduced if certain optional equipment is fitted |    |      |          |              |         |
|                                       |          |      |          |   |    |      |          |              |         |
| Scheme No.                            |          |      |          |   |    |      |          |              |         |

ROLLS-ROYCE LIMITED 'C' RANGE ENGINES

Group 230/188M  
Page 3 Issue 1

Group Title CRANKCASE AND BEARINGS

| Alteration O.E.L No. | Item No. | Note | Part No. |   |   |   |   |   | Description                            | No. Off |
|----------------------|----------|------|----------|---|---|---|---|---|--|---------|
|                      |          |      |          | 1 | 2 | 3 | 4 | 5 |  |         |
|                      | 34       |      | OE 2814  |   |   |   |   |   | Roll pin - gasket locating             | 4       |
|                      | 35       |      | OE 2970  |   |   |   |   |   | Screw - hammer drive .114 dia. by .250 | 8       |
|                      | 36       |      | OE 6423  |   |   |   |   |   | Seal - rear                            | 2       |
|                      | 37       |      | OE 7669  |   |   |   |   |   | Sealing ring .250 i/d                  | 6       |
|                      | 38       |      | KB 16605 |   |   |   |   |   | Sealing ring .575 i/d                  | 12      |
|                      | 39       |      | KB 16633 |   |   |   |   |   | Sealing ring 2.313 i/d                 | 1       |
|                      | 40       |      | OE 28719 |   |   |   |   |   | Sealing ring                           | 1       |
|                      | 41       |      | UF 1502  |   |   |   |   |   | Setscrew .312 dia. by .750             |         |
|                      |          | B    |          |   |   |   |   |   | blanking plates                        | 6       |
|                      |          |      |          |   |   |   |   |   | rear end oil and water drilling        | 2       |
|                      | 42       |      | UF 1503  |   |   |   |   |   | Setscrew .312 dia. by .875             |         |
|                      |          |      |          |   |   |   |   |   | rear end cover                         | 8       |
|                      | 43       |      | UF 1670  |   |   |   |   |   | Setscrew .500 dia. by 4.500            |         |
|                      |          |      |          |   |   |   |   |   | lateral - bearing cap                  | 6       |
|                      | 44       |      | OE 25040 |   |   |   |   |   | Stud .562 dia. by 7.150                |         |
|                      |          |      |          |   |   |   |   |   | rocker oiling                          | 2       |
|                      |          |      |          |   |   |   |   |   |  |         |
|                      |          |      |          |   |   |   |   |   |  |         |
|                      |          |      |          |   |   |   |   |   |  |         |
|                      |          |      |          |   |   |   |   |   |  |         |
|                      |          |      |          |   |   |   |   |   |  |         |
|                      |          |      |          |   |   |   |   |   |  |         |
|                      |          |      |          |   |   |   |   |   |  |         |
|                      |          |      |          |   |   |   |   |   |  |         |
|                      |          |      |          |   |   |   |   |   |  |         |

Items marked + not supplied as spares      Compiled      GP      Date 7.2.63.      No. of pages 6

Alteration O.E.L.      Notes  
B Quantities may be reduced if certain optional equipment is fitted

Scheme No.

RP





# ROLLS-ROYCE LIMITED 'C' RANGE ENGINES

Group 230/188M

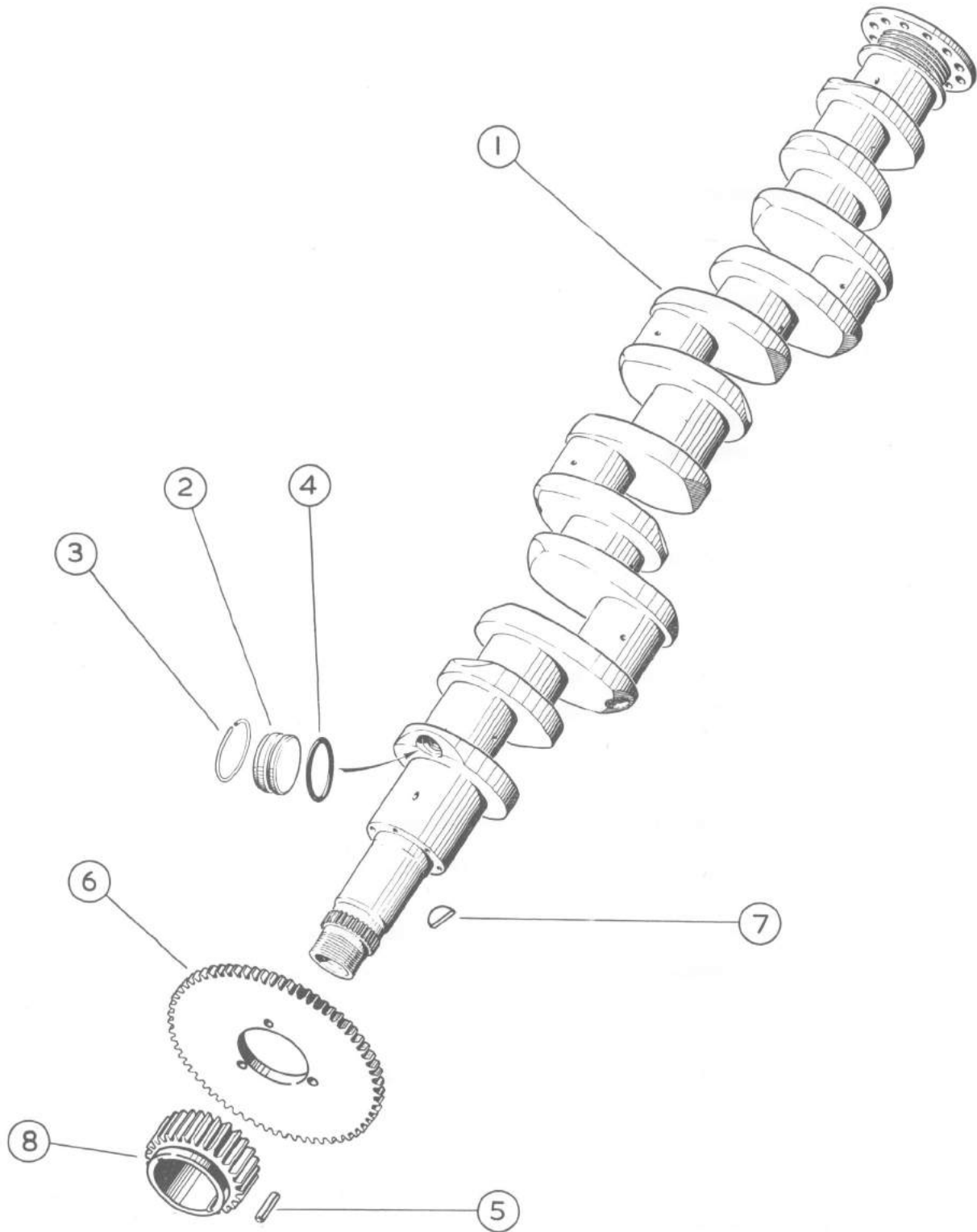
Page 5 Issue 1

Group Title CRANKCASE AND BEARINGS

| Alteration O.E.L. No.                 | Item No. | Note | Part No. |          |    |      |         |              | Description                           | No. Off |
|---------------------------------------|----------|------|----------|----------|----|------|---------|--------------|---------------------------------------|---------|
|                                       |          |      |          | 1        | 2  | 3    | 4       | 5            |                                       |         |
|                                       |          |      |          |          |    |      |         |              | FOR SPARES AND/OR SERVICE USE ONLY    |         |
|                                       |          |      | OE 28809 |          |    |      |         |              | Crankcase assembly                    | 1       |
|                                       |          |      |          |          |    |      |         |              | Main bearings - standard o/d          |         |
|                                       |          |      | OE 3622  |          |    |      |         |              | Front, centre and rear -.010 bore     | 6       |
|                                       |          |      | OE 3623  |          |    |      |         |              | Front, centre and rear -.020 bore     | 6       |
|                                       |          |      | OE 12333 |          |    |      |         |              | Front, centre and rear -.030 bore     | 6       |
|                                       |          |      | OE 12332 |          |    |      |         |              | Front, centre and rear -.040 bore     | 6       |
|                                       |          |      | OE 3626  |          |    |      |         |              | Intermediate -.010 bore               | 8       |
|                                       |          |      | OE 3627  |          |    |      |         |              | Intermediate -.020 bore               | 8       |
|                                       |          |      | OE 12326 |          |    |      |         |              | Intermediate -.030 bore               | 8       |
|                                       |          |      | OE 12327 |          |    |      |         |              | Intermediate -.040 bore               | 8       |
|                                       |          |      |          |          |    |      |         |              | Main bearings +.014 o/d - see OEB 149 |         |
|                                       |          |      | OE 6751  |          |    |      |         |              | Front, centre and rear standard bore  | 6       |
|                                       |          |      | OE 6753  |          |    |      |         |              | Front, centre and rear -.010 bore     | 6       |
|                                       |          |      | OE 9722  |          |    |      |         |              | Front, centre and rear -.020 bore     | 6       |
|                                       |          |      | OE 12331 |          |    |      |         |              | Front, centre and rear -.030 bore     | 6       |
|                                       |          |      | OE 12330 |          |    |      |         |              | Front, centre and rear -.040 bore     | 6       |
|                                       |          |      | OE 6752  |          |    |      |         |              | Intermediate standard bore            | 8       |
|                                       |          |      | OE 6754  |          |    |      |         |              | Intermediate -.010 bore               | 8       |
|                                       |          |      | OE 9723  |          |    |      |         |              | Intermediate -.020 bore               | 8       |
| Items marked + not supplied as spares |          |      |          | Compiled | GP | Date | 7.2.63. | No. of pages | 6                                     |         |
| Alteration O.E.L.                     |          |      |          | Notes    |    |      |         |              |                                       |         |
|                                       |          |      |          |          |    |      |         |              |                                       |         |
|                                       |          |      |          |          |    |      |         |              |                                       |         |
| Scheme No.                            |          |      |          |          |    |      |         |              |                                       |         |

GP







# ROLLS-ROYCE LIMITED 'C' RANGE ENGINES

Group 240/1M

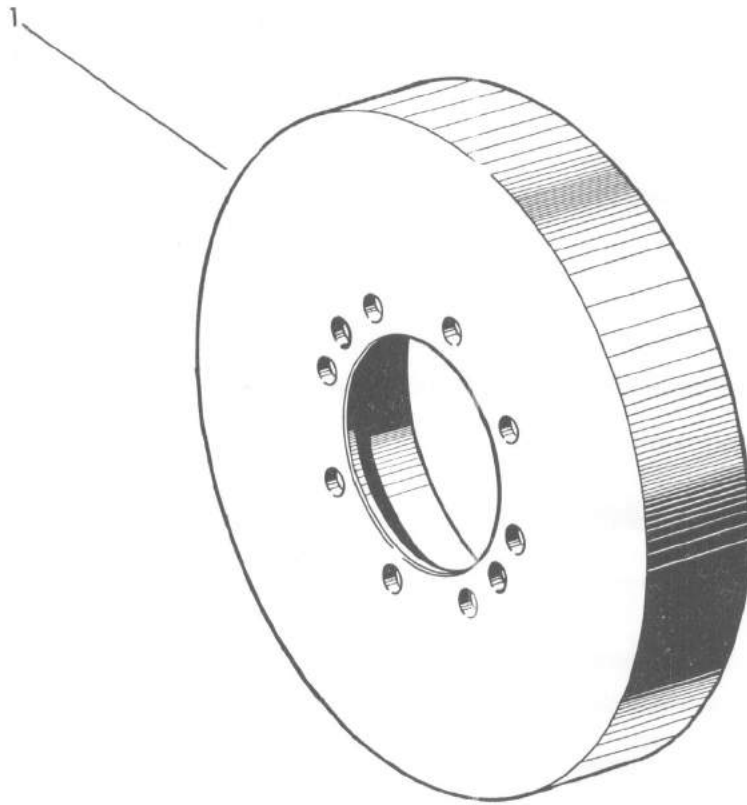
Page 1 Issue 4

Group Title                      CRANKSHAFT (including Gears)

| Alteration O.E.L. No.                 | Item No. | Note | Part No. |                                 |    |      |           |              | Description                 | No. Off |
|---------------------------------------|----------|------|----------|---------------------------------|----|------|-----------|--------------|-----------------------------|---------|
|                                       |          |      |          | 1                               | 2  | 3    | 4         | 5            |                             |         |
|                                       |          |      | OE 7895  |                                 |    |      |           |              | Crankshaft assembly         | 1       |
|                                       | 1        |      | OE 7557  |                                 |    |      |           |              | + Crankshaft                | 1       |
|                                       | 2        |      | OE 3845  |                                 |    |      |           |              | Plug                        | 6       |
|                                       | 3        |      | OE 3844  |                                 |    |      |           |              | Spring ring                 | 6       |
|                                       | 4        |      | KB 16614 |                                 |    |      |           |              | Sealing ring      1.137 i/d | 6       |
|                                       | 5        |      | OE 1261  |                                 |    |      |           |              | Dowel                       | 6       |
| 8316                                  | 6        |      | OE 28316 |                                 |    |      |           |              | Gear - driving oil pump     | 1       |
|                                       | 7        |      | -        |                                 |    |      |           |              | Key - "Woodruff"            |         |
|                                       |          | A    | KC 520   |                                 |    |      |           |              | .2185 wide )                |         |
|                                       |          | A    | KC 521   |                                 |    |      |           |              | .219 wide )                 |         |
|                                       |          | A    | KC 522   |                                 |    |      |           |              | .2195 wide )                |         |
|                                       |          | A    | KC 523   |                                 |    |      |           |              | .220 wide )                 |         |
| 9741                                  | 8        |      | OE 30594 |                                 |    |      |           |              | Pinion                      | 1       |
|                                       |          |      |          |                                 |    |      |           |              |                             |         |
|                                       |          |      |          |                                 |    |      |           |              |                             |         |
|                                       |          |      |          |                                 |    |      |           |              |                             |         |
|                                       |          |      |          |                                 |    |      |           |              |                             |         |
|                                       |          |      |          |                                 |    |      |           |              |                             |         |
|                                       |          |      |          |                                 |    |      |           |              |                             |         |
|                                       |          |      |          |                                 |    |      |           |              |                             |         |
|                                       |          |      |          |                                 |    |      |           |              |                             |         |
|                                       |          |      |          |                                 |    |      |           |              |                             |         |
|                                       |          |      |          |                                 |    |      |           |              |                             |         |
|                                       |          |      |          |                                 |    |      |           |              |                             |         |
|                                       |          |      |          |                                 |    |      |           |              |                             |         |
|                                       |          |      |          |                                 |    |      |           |              |                             |         |
|                                       |          |      |          |                                 |    |      |           |              |                             |         |
|                                       |          |      |          |                                 |    |      |           |              |                             |         |
|                                       |          |      |          |                                 |    |      |           |              |                             |         |
|                                       |          |      |          |                                 |    |      |           |              |                             |         |
| Items marked + not supplied as spares |          |      |          | Compiled                        | JR | Date | 31.12.63. | No. of pages | 1                           |         |
| Alteration O.E.L.                     |          |      |          | Notes                           |    |      |           |              |                             |         |
| 10028                                 |          |      |          | A Alternatives - select to suit |    |      |           |              |                             |         |
|                                       |          |      |          |                                 |    |      |           |              |                             |         |
| Scheme No.                            |          |      |          |                                 |    |      |           |              |                             |         |

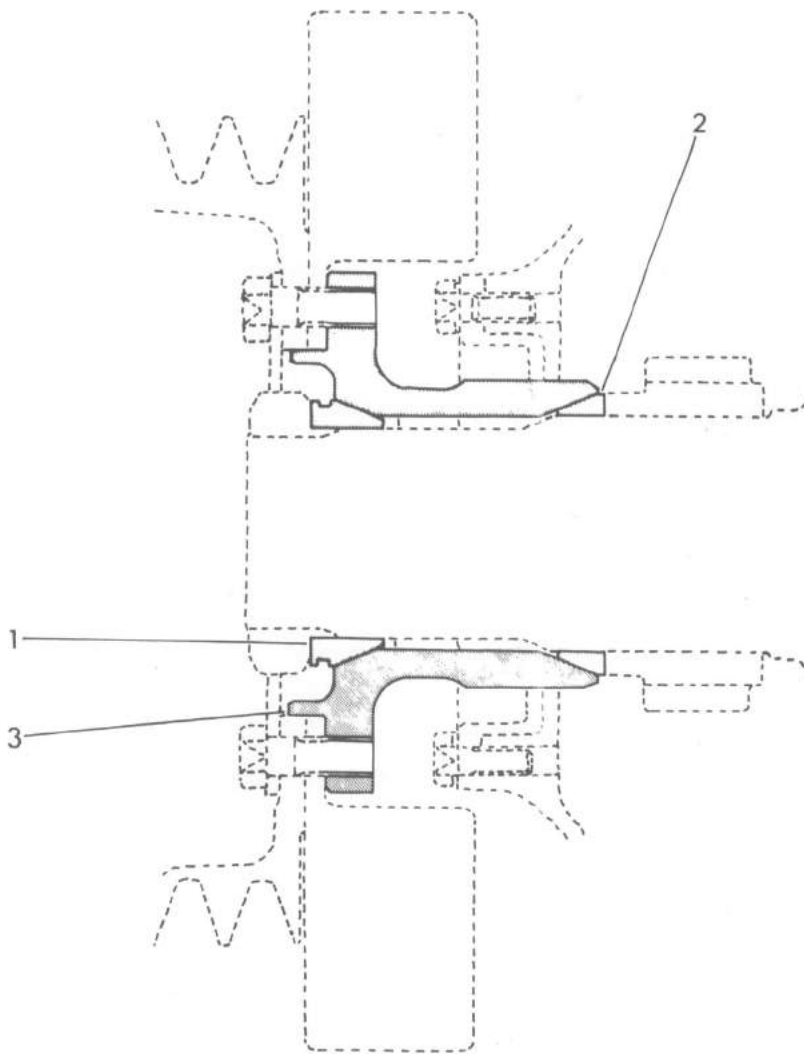
m.1)



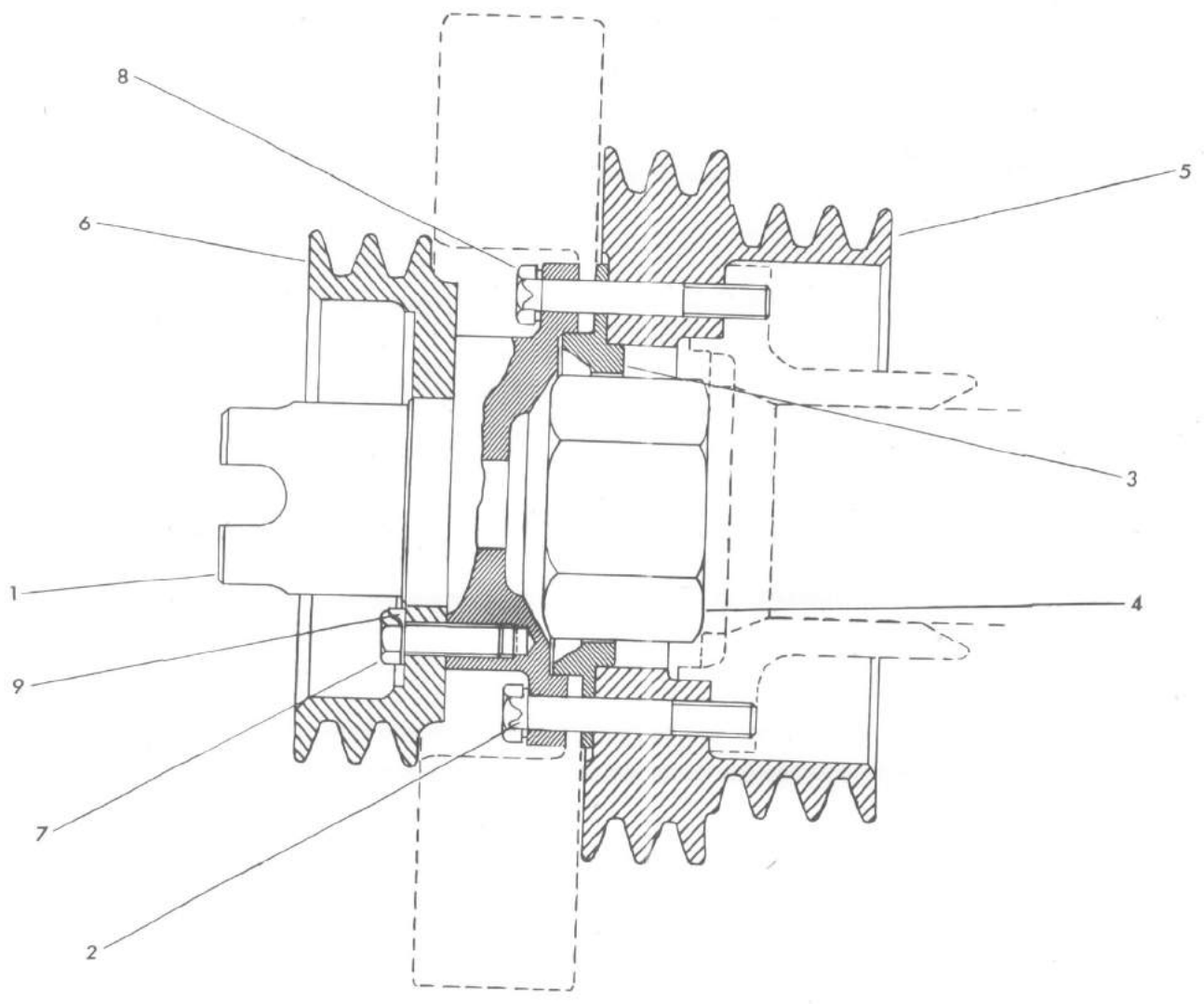


|          |     |      |             |               |   |
|----------|-----|------|-------------|---------------|---|
| Compiled | KGS | Date | 29 . 6 . 64 | No. of plates | 1 |
|----------|-----|------|-------------|---------------|---|





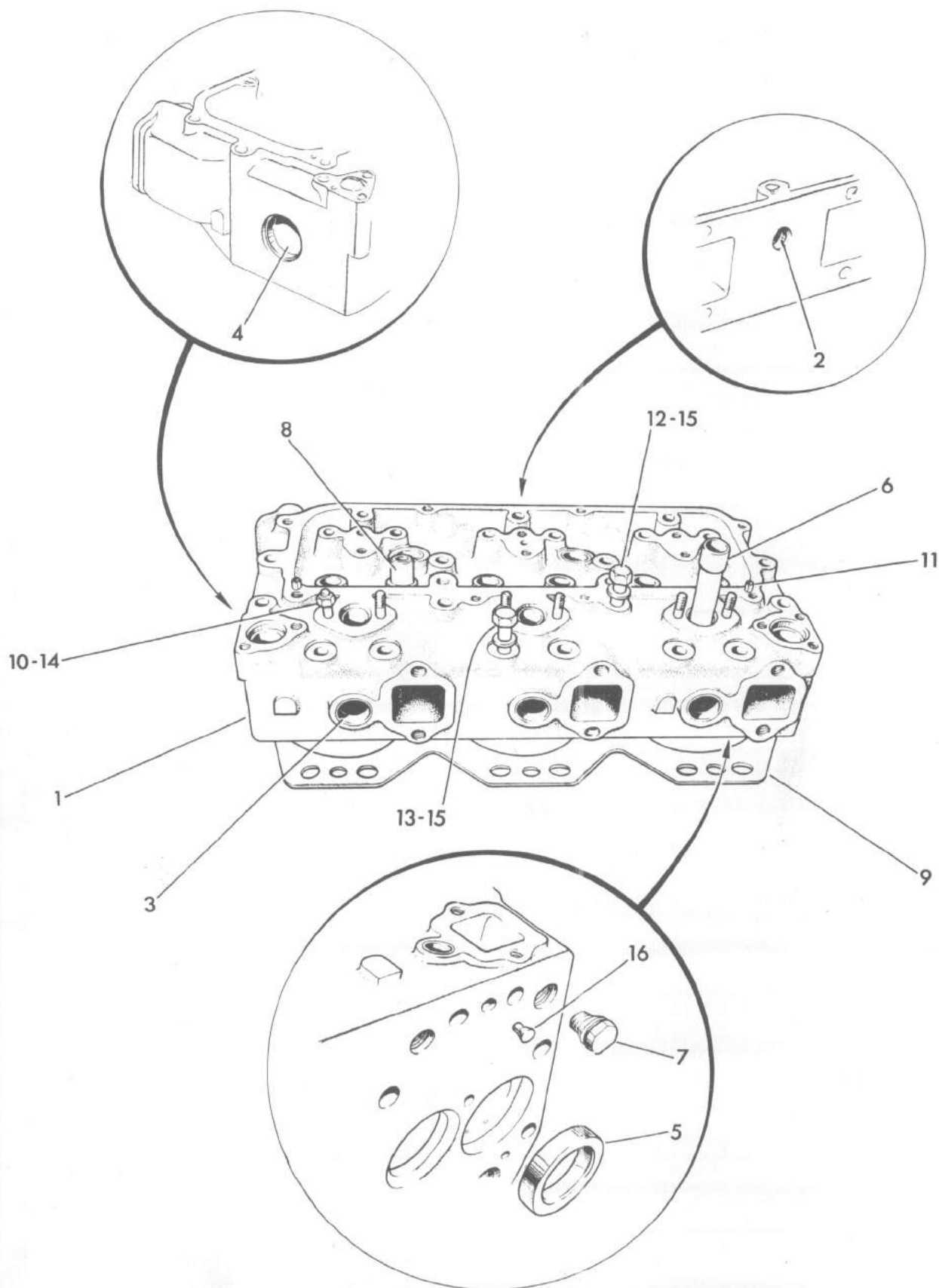




|          |    |      |            |               |   |
|----------|----|------|------------|---------------|---|
| Compiled | RW | Date | 6 · 1 · 64 | No. of plates | 1 |
|----------|----|------|------------|---------------|---|







|          |     |      |            |               |   |
|----------|-----|------|------------|---------------|---|
| Compiled | DSE | Date | 1 · 5 · 64 | No. of plates | 1 |
|----------|-----|------|------------|---------------|---|



# ROLLS-ROYCE LIMITED 'C' RANGE ENGINES

|       |           |
|-------|-----------|
| Group | 250/97M   |
| Page  | 2 Issue 1 |

Group Title **CYLINDER HEAD**

| Alteration<br>O.E.L<br>No. | Item<br>No. | Note | Part No. |                                    |   |   |   |   | Description   | No.<br>Off |
|----------------------------|-------------|------|----------|------------------------------------|---|---|---|---|---|------------|
|                            |             |      |          | 1                                  | 2 | 3 | 4 | 5 |   |            |
|                            |             |      |          | FOR SPARES AND/OR SERVICE USE ONLY |   |   |   |   |   |            |
|                            |             | E    | OE 25116 |                                    |   |   |   |   | Insert - inlet valve seat (.002 o/s)                            | 6          |
|                            |             |      | OE 6470  |                                    |   |   |   |   | Insert - exhaust valve seat (.002 o/s)                          | 6          |
|                            |             |      | OE 12705 |                                    |   |   |   |   | Injector sleeve   | 6          |
|                            |             |      | OE 5584  |                                    |   |   |   |   | Valve guide - with reaming allowance                            | 12         |
|                            |             | B    |          |                                    |   |   |   |   | Cylinder head assembly complete with valves<br>and fittings     | 2          |
|                            |             |      | OE 24135 |                                    |   |   |   |   | Cylinder head assembly  | 2          |
|                            | 16          | C    | OE 9161  |                                    |   |   |   |   | Plug  | 12         |
|                            |             |      | OE 2814  |                                    |   |   |   |   | Roll pin  | 4          |
|                            |             |      | OE 6460  |                                    |   |   |   |   | Stud - injector retaining                                       | 12         |
|                            |             |      |          |                                    |   |   |   |   | Complete sets of valves - springs, seating<br>etc. ex group 660 |            |

|                                       |  |     |      |          |              |   |
|---------------------------------------|--|-----|------|----------|--------------|---|
| Items marked + not supplied as spares | Compiled   | DWN | Date | 13.8.64. | No. of pages | 2 |
| Alteration O.E.L.                     | Notes  |     |      |          |              |   |
|                                       | B For specific assembly number see group 550                   |     |      |          |              |   |
|                                       | C To be fitted when non-escape hole c/case is used.            |     |      |          |              |   |
|                                       | E For use with cylinder heads fitted with inlet valve inserts. |     |      |          |              |   |
| Scheme No.                            |  |     |      |          |              |   |



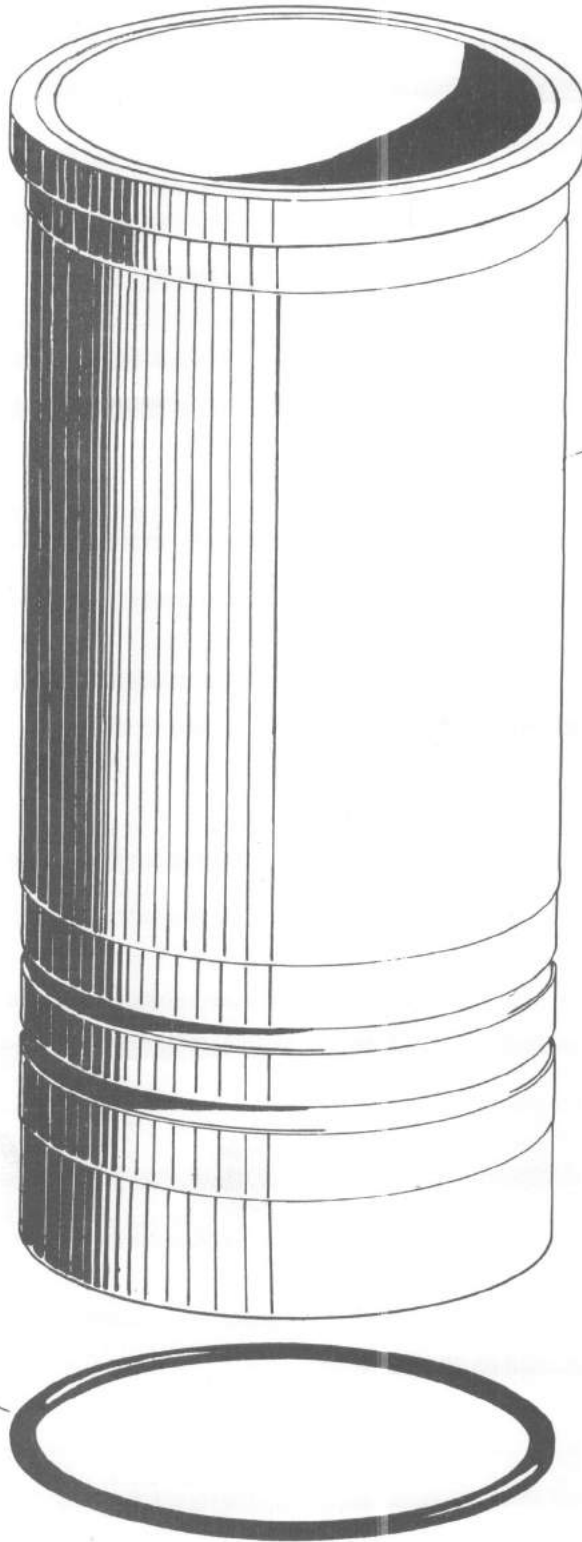


ROLLS-ROYCE LIMITED 'C' RANGE ENGINES

Group 260/2

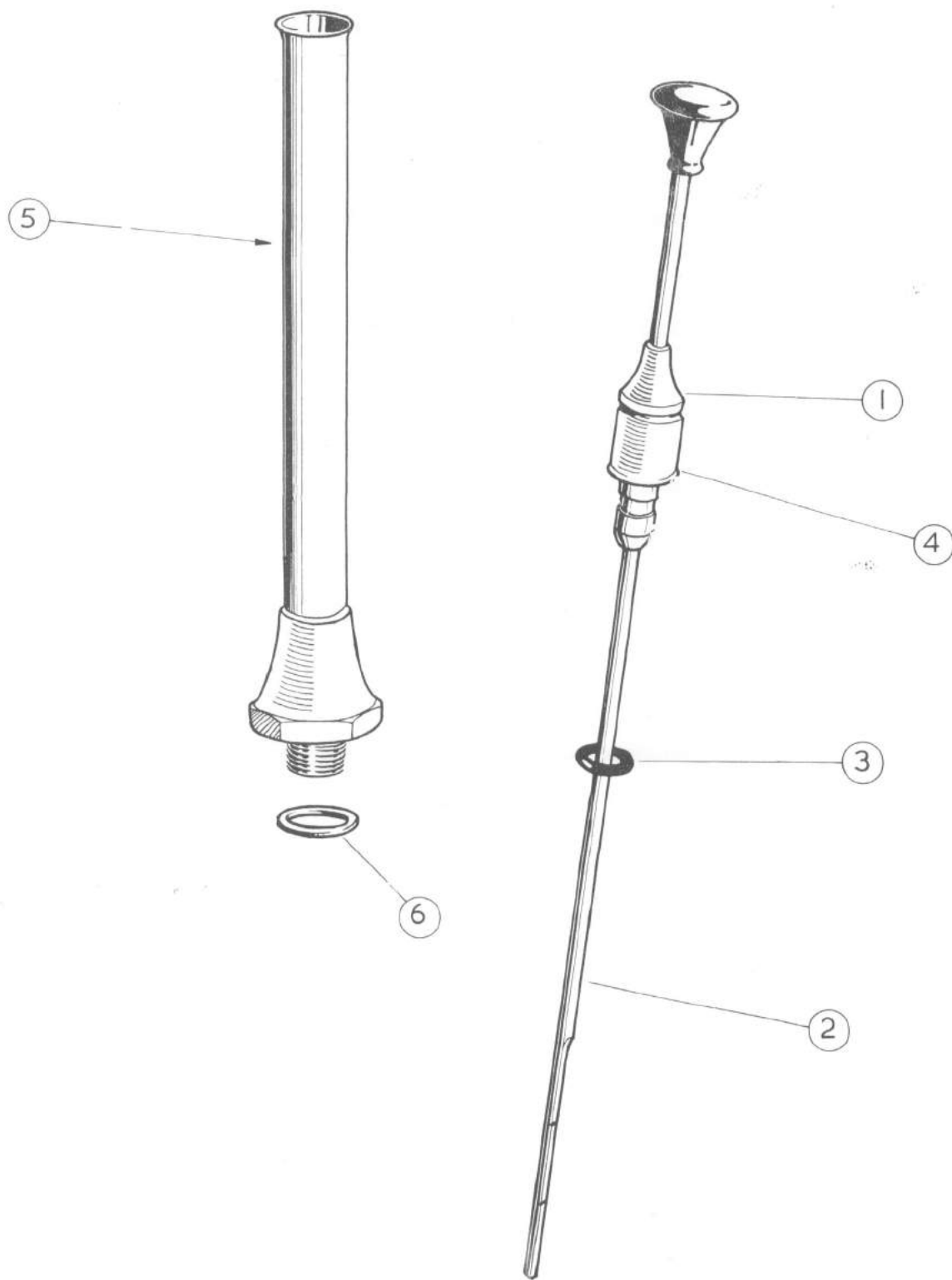
Group Title CYLINDER LINERS

Plate 1 Issue 2



|          |     |      |         |               |   |
|----------|-----|------|---------|---------------|---|
| Compiled | PHJ | Date | 26.3.64 | No. of plates | 1 |
|----------|-----|------|---------|---------------|---|





# ROLLS-ROYCE LIMITED 'C' RANGE ENGINES

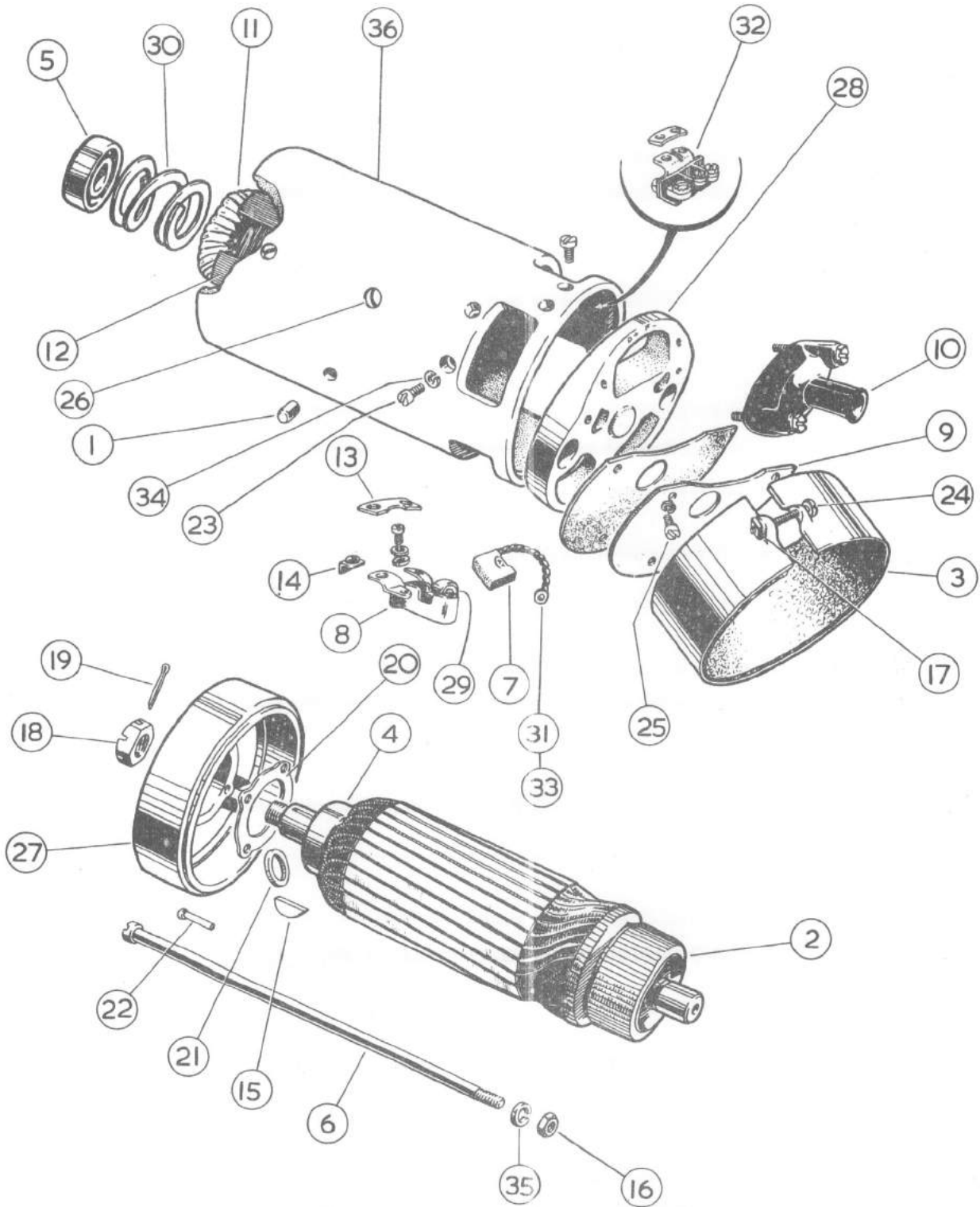
Group 270/21M

Page 1 Issue 3

Group Title DIPSTICK

| Alteration<br>O.E.L<br>No. | Item<br>No. | Note | Part No. | Description              |   |   |   |   | No.<br>Off |
|----------------------------|-------------|------|----------|--------------------------|---|---|---|---|------------|
|                            |             |      |          | 1                        | 2 | 3 | 4 | 5 |            |
|                            | 1           |      | OE 17823 | Dipstick assembly        |   |   |   |   | 1          |
|                            |             |      | OE 17080 | + Cap                    |   |   |   |   | 1          |
|                            |             |      | OE 17830 | + Dipstick               |   |   |   |   | 1          |
|                            | 2           |      | KB 16602 | Sealing ring             |   |   |   |   | 1          |
|                            |             |      | OE 1009  | + Shroud                 |   |   |   |   | 1          |
|                            | 3           |      | OE 2367  | Dipstick tube assembly   |   |   |   |   | 1          |
|                            |             |      | OE 2369  | + Base                   |   |   |   |   | 1          |
|                            |             |      | OE 2368  | + Tube                   |   |   |   |   | 1          |
|                            | 4           |      | OE 523   | Washer - joint 1.062 i/d |   |   |   |   | 1          |
|                            |             |      |          |                          |   |   |   |   |            |
|                            |             |      |          |                          |   |   |   |   |            |
|                            |             |      |          |                          |   |   |   |   |            |
|                            |             |      |          |                          |   |   |   |   |            |
|                            |             |      |          |                          |   |   |   |   |            |
|                            |             |      |          |                          |   |   |   |   |            |
|                            |             |      |          |                          |   |   |   |   |            |
|                            |             |      |          |                          |   |   |   |   |            |
|                            |             |      |          |                          |   |   |   |   |            |
|                            |             |      |          |                          |   |   |   |   |            |
|                            |             |      |          |                          |   |   |   |   |            |
|                            |             |      |          |                          |   |   |   |   |            |
|                            |             |      |          |                          |   |   |   |   |            |
|                            |             |      |          |                          |   |   |   |   |            |
|                            |             |      |          |                          |   |   |   |   |            |
|                            |             |      |          |                          |   |   |   |   |            |
|                            |             |      |          |                          |   |   |   |   |            |
|                            |             |      |          |                          |   |   |   |   |            |
|                            |             |      |          |                          |   |   |   |   |            |
|                            |             |      |          |                          |   |   |   |   |            |

|                                       |  |  |  |          |    |      |        |              |   |
|---------------------------------------|--|--|--|----------|----|------|--------|--------------|---|
| Items marked + not supplied as spares |  |  |  | Compiled | SS | Date | 8.4.63 | No. of pages | 1 |
| Alteration O.E.L.                     |  |  |  | Notes    |    |      |        |              |   |
| 7978                                  |  |  |  |          |    |      |        |              |   |
| 10009                                 |  |  |  |          |    |      |        |              |   |
| Scheme No.                            |  |  |  |          |    |      |        |              |   |





# ROLLS-ROYCE LIMITED 'C' RANGE ENGINES

Group 280/16M

Page 1 Issue 3

Group Title DYNAMO

| Alteration O.E.L. No. | Item No. | Note | Part No.                           | Description                         |   |   |   |   | No. Off |
|-----------------------|----------|------|------------------------------------|-------------------------------------|---|---|---|---|---------|
|                       |          |      |                                    | 1                                   | 2 | 3 | 4 | 5 |         |
|                       | 1        |      | OE 1492                            | Dowel                               |   |   |   |   | 1       |
|                       |          |      | OD 7561                            | Dynamo C.A.V. Type H55 A24 - 55CM   |   |   |   |   |         |
|                       |          |      |                                    | 24 volt 5.50 inches diameter)       |   |   |   |   | 1       |
|                       |          |      | FOR SPARES AND/OR SERVICE USE ONLY |                                     |   |   |   |   |         |
|                       |          |      | OD 7561                            | Dynamo - 24 volt                    |   |   |   |   | 1       |
|                       | 2        |      | OD 5398                            | Armature - dynamo                   |   |   |   |   | 1       |
|                       | 3        |      | OD 5396                            | Band - cover assembly               |   |   |   |   | 1       |
|                       |          |      | OD 5385                            | Band - cover                        |   |   |   |   | 1       |
|                       |          |      | OD 5386                            | Gasket - cover band                 |   |   |   |   | 1       |
|                       | 4        |      | OD 2984                            | Bearing - ball - 20X47X14mm D.E.    |   |   |   |   | 1       |
|                       | 5        |      | OD 2970                            | Bearing -ball - 20 X 47 X 14mm C.E. |   |   |   |   | 1       |
|                       | 6        |      | OD 2997                            | Bolt - fixing                       |   |   |   |   | 2       |
| 8734                  | 7        |      | OD 11108                           | Brushes - dynamo                    |   |   |   |   | 1 set   |
|                       | 8        |      | OD 2972                            | Brush - box - assembly              |   |   |   |   | 4       |
|                       |          |      | OD 3294                            | Condenser 0.5 M.F.D.                |   |   |   |   | 2       |
|                       |          |      | OD 5387                            | Connection - brush gear assembly    |   |   |   |   | 2       |
|                       |          |      | OD 3292                            | Connection assembly                 |   |   |   |   | 1       |
|                       |          |      | OD 5390                            | Connector - brush to terminal       |   |   |   |   | 1       |
|                       |          |      | OD 3293                            | Connector assembly                  |   |   |   |   | 1       |
|                       | 9        |      | OD 5532                            | Cover C.E. - louvered               |   |   |   |   | 1       |
|                       | 10       |      | OD 5700                            | Cover - terminal assembly           |   |   |   |   | 1       |
|                       |          |      | OD 5388                            | Connector - earthing                |   |   |   |   | 2       |

Items marked + not supplied as spares

Compiled

J.R.

Date

9.4.63

No. of pages

4

Alteration O.E.L.

Notes

9993

Scheme No.

# ROLLS-ROYCE LIMITED 'C' RANGE ENGINES

Group 280/16M  
Page 2 Issue 2

Group Title DYNAMO

| Alteration O.E.L. No.                 | Item No. | Note | Part No. |          |    |      |        |              | Description | No. Off |       |
|---------------------------------------|----------|------|----------|----------|----|------|--------|--------------|-------------|---------|-------|
|                                       |          |      |          | 1        | 2  | 3    | 4      | 5            |             |         |       |
|                                       |          |      |          |          |    |      |        |              |             |         |       |
|                                       |          |      |          |          |    |      |        |              |             |         |       |
|                                       |          |      |          |          |    |      |        |              |             |         |       |
|                                       | 11       |      | OD 5397  |          |    |      |        |              |             |         | 1 set |
|                                       | 12       |      | OD 2968  |          |    |      |        |              |             |         | 8     |
|                                       | 13       |      | OD 2973  |          |    |      |        |              |             |         | 4     |
|                                       | 14       |      | OD 2974  |          |    |      |        |              |             |         | 8     |
|                                       | 15       |      | OD 2982  |          |    |      |        |              |             |         | 1     |
|                                       |          |      | OD 5389  |          |    |      |        |              |             |         | 8     |
|                                       |          |      | OD 3297  |          |    |      |        |              |             |         | 2     |
|                                       | 16       |      | OD 5530  |          |    |      |        |              |             |         | 2     |
|                                       | 17       |      | OD 2996  |          |    |      |        |              |             |         | 1     |
|                                       | 18       |      | OD 5392  |          |    |      |        |              |             |         | 1     |
|                                       |          |      | OD 5391  |          |    |      |        |              |             |         | 1     |
|                                       | 19       |      | OD 5531  |          |    |      |        |              |             |         | 1     |
|                                       | 20       |      | OD 2986  |          |    |      |        |              |             |         | 1     |
|                                       | 21       |      | OD 2985  |          |    |      |        |              |             |         | 2     |
|                                       | 22       |      | OD 5526  |          |    |      |        |              |             |         | 4     |
|                                       |          |      | OD 3093  |          |    |      |        |              |             |         | 8     |
|                                       | 23       |      | OD 2977  |          |    |      |        |              |             |         | 4     |
|                                       |          |      | OD 5529  |          |    |      |        |              |             |         | 2     |
|                                       |          |      | OD 3295  |          |    |      |        |              |             |         | 2     |
|                                       | 24       |      | OD 2995  |          |    |      |        |              |             |         | 1     |
|                                       |          |      | OD 5701  |          |    |      |        |              |             |         | 2     |
|                                       | 25       |      | OD 2990  |          |    |      |        |              |             |         | 5     |
| Items marked + not supplied as spares |          |      |          | Compiled | JR | Date | 9.4.63 | No. of pages | 4           |         |       |
| Alteration O.E.L.                     |          |      |          | Notes    |    |      |        |              |             |         |       |
| 9993                                  |          |      |          |          |    |      |        |              |             |         |       |
|                                       |          |      |          |          |    |      |        |              |             |         |       |
|                                       |          |      |          |          |    |      |        |              |             |         |       |
| Scheme No.                            |          |      |          |          |    |      |        |              |             |         |       |

9993

# ROLLS-ROYCE LIMITED 'C' RANGE ENGINES

Group 280/16M

Page 3 Issue 2

Group Title DYNAMO

| Alteration O.E.L. No. | Item No. | Note | Part No.      | Description |   |   |   |                                 | No. Off |
|-----------------------|----------|------|---------------|-------------|---|---|---|---------------------------------|---------|
|                       |          |      |               | 1           | 2 | 3 | 4 | 5                               |         |
|                       |          | FOR  | SPARES AND/OR |             |   |   |   | SERVICE USE ONLY (contd)        |         |
|                       | 26       |      | OD 2964       |             |   |   |   | Screw - pole                    | 8       |
|                       | 27       |      | OD 5399       |             |   |   |   | Shield - D.E.                   | 1       |
|                       | 28       |      | OD 5623       |             |   |   |   | Shield - C.E.                   | 1       |
|                       | 29       |      | OD 2976       |             |   |   |   | Spring - brush                  | 4       |
|                       | 30       |      | OD 2971       |             |   |   |   | Spring - C.E. bearing           | 1       |
|                       |          |      | OD 5528       |             |   |   |   | Tag                             | 1       |
|                       | 31       |      | OD 2967       |             |   |   |   | Terminal .1875 by .406 by 1.875 | 1       |
|                       | 32       |      | OD 2992       |             |   |   |   | Terminal block assembly         | 1       |
|                       |          |      | OD 5378       |             |   |   |   | Block - terminal                | 1       |
|                       |          |      | OD 5379       |             |   |   |   | Bracket                         | 1       |
|                       |          |      | OD 5533       |             |   |   |   | Commutator                      | 1       |
|                       |          |      | OD 5380       |             |   |   |   | Insulator                       | 1       |
|                       |          |      | OD 3100       |             |   |   |   | Nut B.S.F. brass hex. .250      | 4       |
|                       |          |      | OD 5377       |             |   |   |   | Nut - lock                      | 2       |
|                       |          |      | OD 5371       |             |   |   |   | Bolt B.A. brass No 2 by .500    | 1       |
|                       |          |      | OD 5367       |             |   |   |   | Screw B.S.F. brass .250 by .875 | 1       |
|                       |          |      | OD 5373       |             |   |   |   | Screw .3125 B.S.F. by .625      | 1       |
|                       |          |      | OD 5394       |             |   |   |   | Tag                             | 1       |
|                       |          |      | OD 5375       |             |   |   |   | Terminal .1875 by .406 by .1875 | 1       |
|                       | 33       |      | OD 2967       |             |   |   |   | Terminal .1875 by .406 by .1875 | 1       |
|                       |          |      | OD 5369       |             |   |   |   | Terminal .625 o/d               | 1       |

|                                       |  |  |          |    |      |        |              |   |
|---------------------------------------|--|--|----------|----|------|--------|--------------|---|
| Items marked + not supplied as spares |  |  | Compiled | JR | Date | 9.4.63 | No. of pages | 4 |
| Alteration O.E.L.                     |  |  | Notes    |    |      |        |              |   |
| 9993                                  |  |  |          |    |      |        |              |   |
|                                       |  |  |          |    |      |        |              |   |
| Scheme No.                            |  |  |          |    |      |        |              |   |

# ROLLS-ROYCE LIMITED 'C' RANGE ENGINES

Group 280/16M  
Page 4 Issue 2

Group Title DYNAMO

| Alteration O.E.L. No. | Item No. | Note | Part No. |        |   |   |   |   | Description                       | No. Off |
|-----------------------|----------|------|----------|--------|---|---|---|---|-----------------------------------|---------|
|                       |          |      |          | 1      | 2 | 3 | 4 | 5 |                                   |         |
|                       |          | FOR  | SPARES   | AND/OR |   |   |   |   | SERVICE USE ONLY (contd)          |         |
|                       |          |      | OD 5370  |        |   |   |   |   | Terminal .250 B.S.F.              | 1       |
|                       |          |      | OD 5376  |        |   |   |   |   | Terminal .3125 B.S.F.             | 1       |
|                       |          |      | OD 5372  |        |   |   |   |   | Terminal 2 B.A.                   | 1       |
|                       |          |      | OD 5207  |        |   |   |   |   | Washer B.A. No 2 brass            | 2       |
|                       |          |      | OD 3103  |        |   |   |   |   | Washer - brass plain .250         | 2       |
|                       |          |      | OD 5368  |        |   |   |   |   | Washer - brass plain .250         | 4       |
|                       |          |      | OD 5374  |        |   |   |   |   | Washer - brass plain .3125        | 1       |
|                       |          |      | OD 2991  |        |   |   |   |   | Washer - lock - shakeproof 2 B.A. | 2       |
|                       |          |      | OD 3111  |        |   |   |   |   | Washer - lock - shakeproof .250   | 5       |
|                       |          |      | OD 5217  |        |   |   |   |   | Washer - lock - shakeproof .3125  | 2       |
|                       |          |      | OD 2624  |        |   |   |   |   | Washer - lock - shakeproof 2 B.A. | 1       |
|                       |          |      | OD 5207  |        |   |   |   |   | Washer B.A. No 2                  | 4       |
|                       |          |      | OD 2991  |        |   |   |   |   | Washer - lock - shakeproof 2 B.A. | 5       |
|                       |          |      | OD 3296  |        |   |   |   |   | Washer - lock - shakeproof .250   | 2       |
|                       |          |      | OD 2501  |        |   |   |   |   | Washer - lock - shakeproof .250   | 2       |
|                       |          |      | OD 2978  |        |   |   |   |   | Washer - lock - shakeproof 2 B.A. | 4       |
|                       | 34       |      | OD 2510  |        |   |   |   |   | Washer - lock 2 B.A.              | 8       |
|                       | 35       |      | OD 2999  |        |   |   |   |   | Washer - lock - shakeproof .3125  | 2       |
|                       | 36       |      | OD 5620  |        |   |   |   |   | Yoke and poles assembly           | 1       |

|                                       |  |  |  |          |    |      |        |              |   |
|---------------------------------------|--|--|--|----------|----|------|--------|--------------|---|
| Items marked + not supplied as spares |  |  |  | Compiled | JR | Date | 9.4.63 | No. of pages | 4 |
| Alteration O.E.L.                     |  |  |  | Notes    |    |      |        |              |   |
| 9993                                  |  |  |  |          |    |      |        |              |   |
|                                       |  |  |  |          |    |      |        |              |   |
|                                       |  |  |  |          |    |      |        |              |   |
| Scheme No.                            |  |  |  |          |    |      |        |              |   |



ROLLS-ROYCE LIMITED 'C' RANGE ENGINES

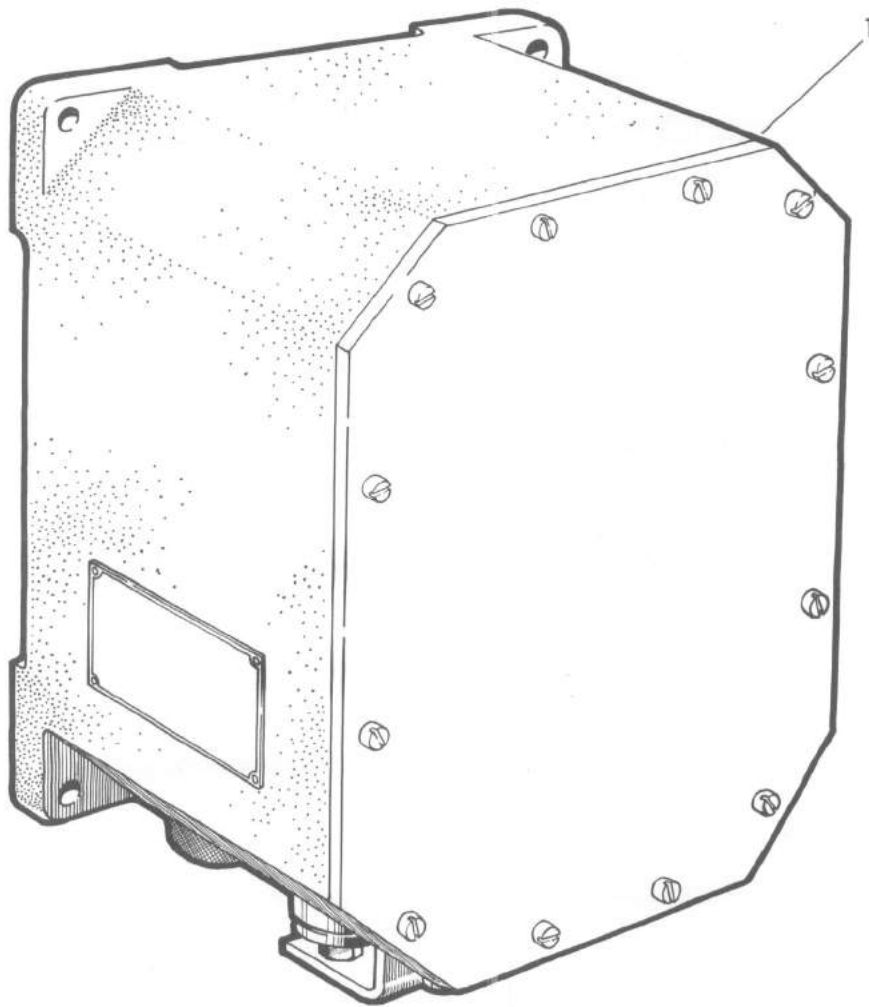
Group 281/14

Group Title

DYNAMO CONTROL BOARD

Plate 1

Issue 1



|          |     |      |             |               |   |
|----------|-----|------|-------------|---------------|---|
| Compiled | DSE | Date | 28 · 1 · 64 | No. of plates | 1 |
|----------|-----|------|-------------|---------------|---|



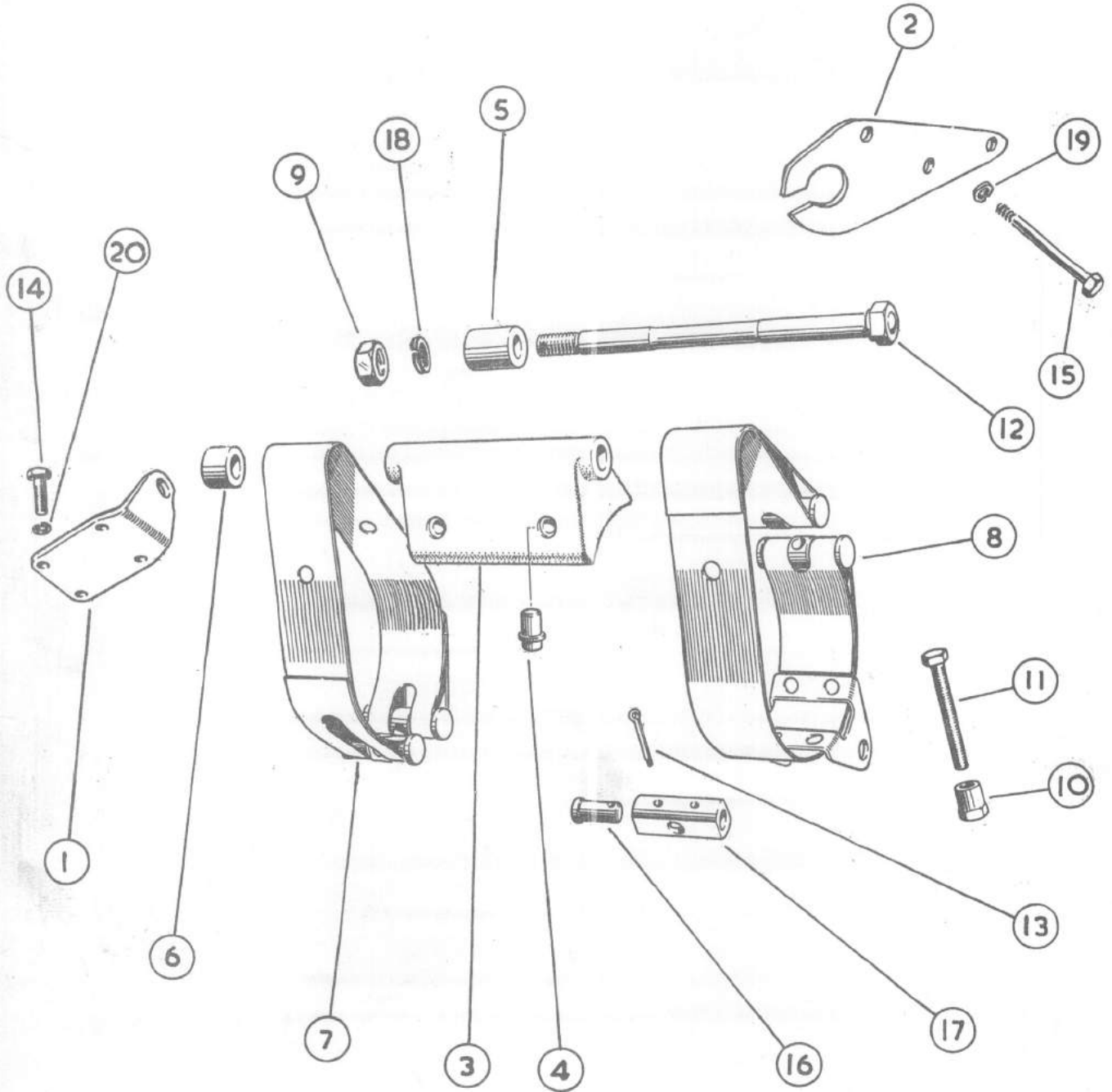
# ROLLS-ROYCE LIMITED 'C' RANGE ENGINES

Group 281/14M  
Page 1 Issue 3

Group Title DYNAMO CONTROL BOARD

| Alteration<br>O.E.L<br>No. | Item<br>No. | Note | Part No.   | Description                                    |   |   |   |   | No.<br>Off |
|----------------------------|-------------|------|------------|--|---|---|---|---|------------|
|                            |             |      |            | 1  | 2 | 3 | 4 | 5 |            |
| 10788                      | 1           |      | OD 12252/9 | Screening enclosure and control board assembly |   |   |   |   | 1          |
|                            |             |      | OD 3003    | Control board                                  |   |   |   |   | 1          |
| 10788                      |             |      | OD 12254   | Screening enclosure                            |   |   |   |   | 1          |
| 10788                      |             |      | UF 1459    | Setscrew .250 dia. by 1.625                    |   |   |   |   | 3          |
| 10788                      |             |      | ST 15901   | Washer - plain .250 i/d                        |   |   |   |   | 3          |
| 10788                      |             |      | OD 3111    | Washer - shakeproof                            |   |   |   |   | 3          |
|                            |             |      |            |  |   |   |   |   |            |
|                            |             |      |            |  |   |   |   |   |            |
|                            |             |      |            |  |   |   |   |   |            |
|                            |             |      |            |  |   |   |   |   |            |
|                            |             |      |            |  |   |   |   |   |            |
|                            |             |      |            |  |   |   |   |   |            |
|                            |             |      |            |  |   |   |   |   |            |
|                            |             |      |            |  |   |   |   |   |            |
|                            |             |      |            |  |   |   |   |   |            |
|                            |             |      |            |  |   |   |   |   |            |
|                            |             |      |            |  |   |   |   |   |            |
|                            |             |      |            |  |   |   |   |   |            |
|                            |             |      |            |  |   |   |   |   |            |
|                            |             |      |            |  |   |   |   |   |            |
|                            |             |      |            |  |   |   |   |   |            |
|                            |             |      |            |  |   |   |   |   |            |
|                            |             |      |            |  |   |   |   |   |            |
|                            |             |      |            |  |   |   |   |   |            |
|                            |             |      |            |  |   |   |   |   |            |

|                                       |          |    |      |         |              |   |
|---------------------------------------|----------|----|------|---------|--------------|---|
| Items marked + not supplied as spares | Compiled | GP | Date | 10.4.64 | No. of pages | 1 |
| Alteration O.E.L.                     | Notes    |    |      |         |              |   |
| 10604                                 |          |    |      |         |              |   |
|                                       |          |    |      |         |              |   |
|                                       |          |    |      |         |              |   |
|                                       |          |    |      |         |              |   |
|                                       |          |    |      |         |              |   |
| Scheme No.                            |          |    |      |         |              |   |



|          |     |      |            |               |   |
|----------|-----|------|------------|---------------|---|
| Compiled | DSE | Date | 7. 11. 61. | No. of plates | 1 |
|----------|-----|------|------------|---------------|---|

# ROLLS-ROYCE LIMITED 'C' RANGE ENGINES

Group 282/23M  
Page 1 Issue 3

Group Title DYNAMO MOUNTING

| Alteration O.E.L. No.                 | Item No. | Note | Part No. | Description                   |    |      |        |              | No. Off |
|---------------------------------------|----------|------|----------|-------------------------------|----|------|--------|--------------|---------|
|                                       |          |      |          | 1                             | 2  | 3    | 4      | 5            |         |
|                                       | 1        |      | OE 2319  | Bracket                       |    |      |        |              | 1       |
|                                       | 2        |      | OE 22863 | Bracket - dynamo pivot        |    |      |        |              | 1       |
|                                       | 3        |      | OE 2521  | Cradle                        |    |      |        |              | 1       |
|                                       | 4        |      | OE 2497  | Dowel                         |    |      |        |              | 2       |
|                                       | 5        |      | OE 1640  | Distance piece                |    |      |        |              | 1       |
|                                       | 6        |      | OE 4422  | Distance piece                |    |      |        |              | 1       |
|                                       | 7        |      | OE 3098  | Dynamo strap assembly (rear)  |    |      |        |              | 1       |
|                                       |          |      | OE 2540  | + Strap                       |    |      |        |              | 1       |
|                                       |          |      | OE 4826  | + Trunnion                    |    |      |        |              | 2       |
|                                       | 8        |      | OE 2538  | Dynamo strap assembly (front) |    |      |        |              | 1       |
| 9792                                  |          |      | OE 4081  | + Bracket                     |    |      |        |              | 1       |
|                                       |          |      | OE 2539  | + Strap                       |    |      |        |              | 1       |
|                                       |          |      | OE 4826  | + Trunnion                    |    |      |        |              | 2       |
|                                       | 9        |      | UF 4359  | Nut - plain .625 dia.         |    |      |        |              | 1       |
|                                       | 10       |      | OE 2499  | Nut - sleeve .375 dia.        |    |      |        |              | 2       |
|                                       | 11       |      | OE 2498  | Pinch bolt .375 dia. by 2.75  |    |      |        |              | 2       |
|                                       | 12       |      | OE 23782 | Pivot bolt assembly           |    |      |        |              | 1       |
|                                       |          |      | OE 23780 | + Bolt                        |    |      |        |              | 1       |
|                                       |          |      | OE 23781 | +Nut                          |    |      |        |              | 1       |
|                                       |          |      |          |                               |    |      |        |              |         |
|                                       |          |      |          |                               |    |      |        |              |         |
|                                       |          |      |          |                               |    |      |        |              |         |
|                                       |          |      |          |                               |    |      |        |              |         |
|                                       |          |      |          |                               |    |      |        |              |         |
|                                       |          |      |          |                               |    |      |        |              |         |
|                                       |          |      |          |                               |    |      |        |              |         |
| Items marked + not supplied as spares |          |      |          | Compiled                      | GP | Date | 9.1.64 | No. of pages | 2       |
| Alteration O.E.L.                     |          |      |          | Notes                         |    |      |        |              |         |
| 10531                                 |          |      |          |                               |    |      |        |              |         |
|                                       |          |      |          |                               |    |      |        |              |         |
|                                       |          |      |          |                               |    |      |        |              |         |
| Scheme No.                            |          |      |          |                               |    |      |        |              |         |

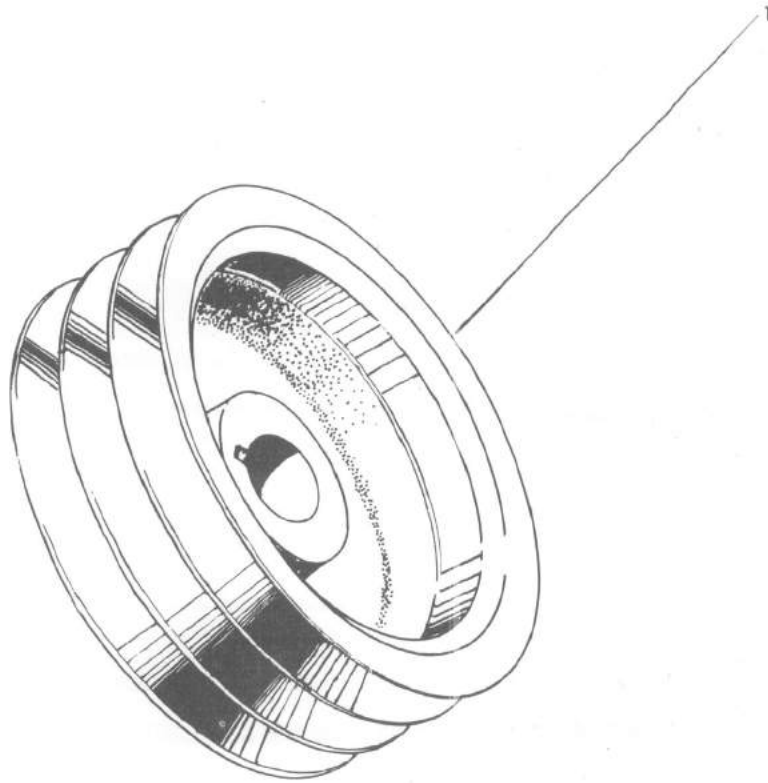
# ROLLS-ROYCE LIMITED 'C' RANGE ENGINES

Group 282/23M  
 Page 2 Issue 1

Group Title DYNAMO MOUNTING

| Alteration<br>O.E.L<br>No. | Item<br>No. | Note | Part No. |                 |   |   |   |   | Description                   | No.<br>Off |
|----------------------------|-------------|------|----------|-----------------|---|---|---|---|-------------------------------|------------|
|                            |             |      |          | 1               | 2 | 3 | 4 | 5 |                               |            |
|                            | 13          |      | K 4615   | Split pin       |   |   |   |   | . 125 dia. by 1.50            | 2          |
|                            | 14          |      | UF 1602  | Setscrew        |   |   |   |   | . 437 dia. by 1.00            | 4          |
|                            | 15          |      | UF 1520  | Setscrew        |   |   |   |   | . 312 dia. by 4.00            |            |
|                            |             |      |          |                 |   |   |   |   | bracket to pump and crankcase | 3          |
|                            | 16          |      | OE 3284  | Trunnion pin    |   |   |   |   |                               | 2          |
|                            | 17          |      | OE 5667  | Trunnion block  |   |   |   |   |                               | 1          |
|                            | 18          |      | UF 5113  | Washer - grover |   |   |   |   | . 625 i/d                     | 1          |
|                            | 19          |      | ST 16259 | Washer - spring |   |   |   |   | . 312 i/d                     | 3          |
|                            | 20          |      | ST 16261 | Washer - spring |   |   |   |   | . 437 i/d                     | 4          |
|                            |             |      |          |                 |   |   |   |   |                               |            |
|                            |             |      |          |                 |   |   |   |   |                               |            |
|                            |             |      |          |                 |   |   |   |   |                               |            |
|                            |             |      |          |                 |   |   |   |   |                               |            |
|                            |             |      |          |                 |   |   |   |   |                               |            |
|                            |             |      |          |                 |   |   |   |   |                               |            |
|                            |             |      |          |                 |   |   |   |   |                               |            |
|                            |             |      |          |                 |   |   |   |   |                               |            |
|                            |             |      |          |                 |   |   |   |   |                               |            |
|                            |             |      |          |                 |   |   |   |   |                               |            |
|                            |             |      |          |                 |   |   |   |   |                               |            |
|                            |             |      |          |                 |   |   |   |   |                               |            |
|                            |             |      |          |                 |   |   |   |   |                               |            |
|                            |             |      |          |                 |   |   |   |   |                               |            |
|                            |             |      |          |                 |   |   |   |   |                               |            |
|                            |             |      |          |                 |   |   |   |   |                               |            |

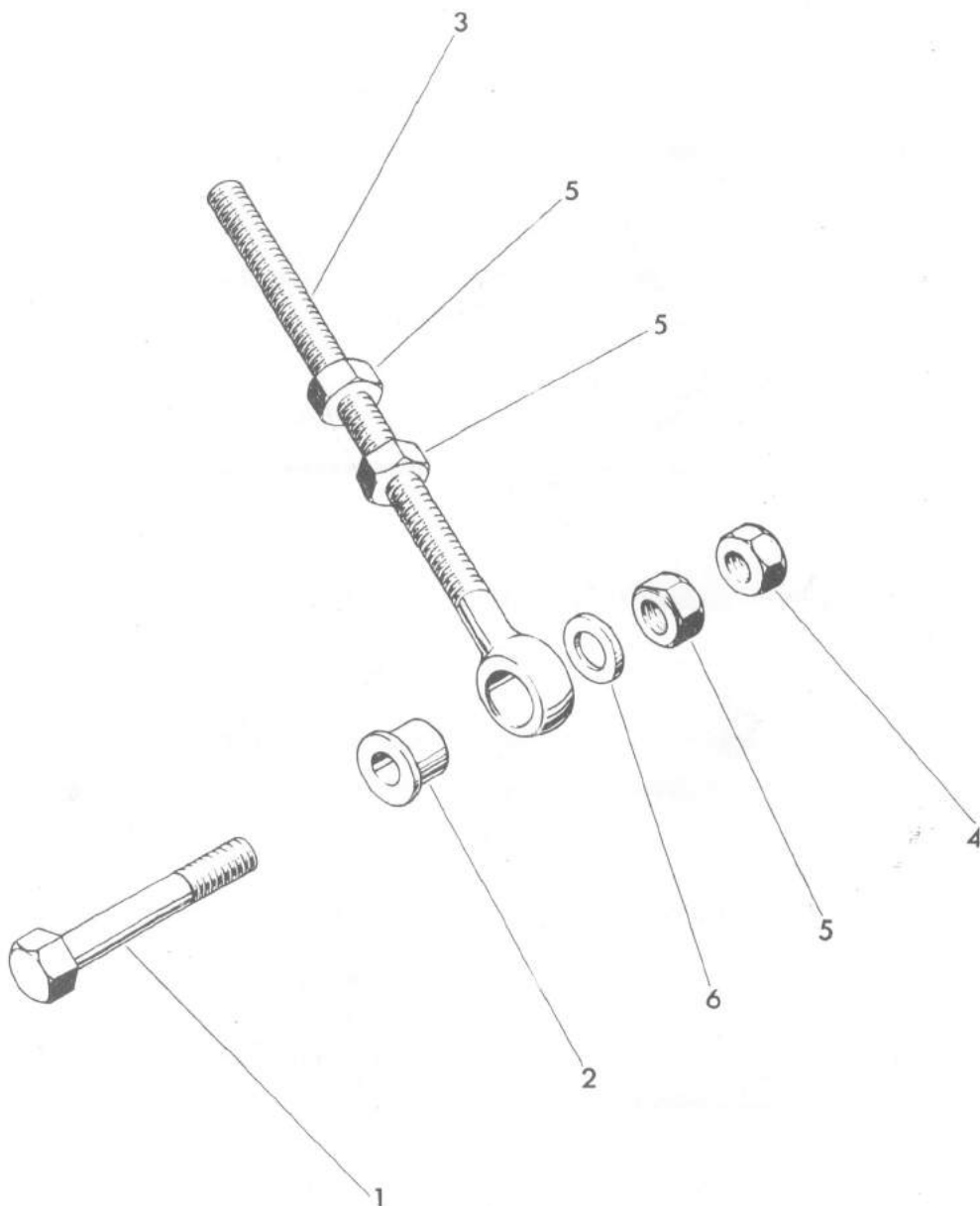
|                                       |          |    |      |          |              |   |
|---------------------------------------|----------|----|------|----------|--------------|---|
| Items marked + not supplied as spares | Compiled | GP | Date | 16.10.63 | No. of pages | 2 |
| Alteration O.E.L.                     |          |    |      | Notes    |              |   |
|                                       |          |    |      |          |              |   |
|                                       |          |    |      |          |              |   |
| Scheme No.                            |          |    |      |          |              |   |



|          |    |      |        |               |   |
|----------|----|------|--------|---------------|---|
| Compiled | MH | Date | 1-1-64 | No. of plates | 1 |
|----------|----|------|--------|---------------|---|







|          |     |      |            |               |   |
|----------|-----|------|------------|---------------|---|
| Compiled | LWH | Date | 7 · 5 · 64 | No. of plates | 1 |
|----------|-----|------|------------|---------------|---|

ROLLS-ROYCE LIMITED 'C' RANGE ENGINES

|       |           |
|-------|-----------|
| Group | 284/6M    |
| Page  | 1 Issue 5 |

Group Title DYNAMO TENSIONER

| Alteration O.E.L. No. | Item No. | Note | Part No. |                |   |     |      |          | Description | No. Off |
|-----------------------|----------|------|----------|----------------|---|-----|------|----------|-------------|---------|
|                       |          |      |          | 1              | 2 | 3   | 4    | 5        |             |         |
|                       | 1        | A    | OE 3173  | Bolt           | . | 437 | dia. | by 3.475 |             | 1       |
|                       |          | B    | OD 6058  | Bolt           | . | 437 | dia. | by 3.00  |             | 1       |
|                       |          | C    | UF 1616  | Bolt           | . | 437 | dia. | by 3.750 |             | 1       |
|                       | 2        |      | OE 3171  | Distance piece |   |     |      |          |             | 1       |
|                       | 3        |      | OE 13750 | Eye bolt       | . | 437 | dia. | by 8.20  |             | 1       |
|                       | 4        |      | UF 4556  | Nut - lock     | . | 437 | dia. |          |             | 1       |
|                       | 5        |      | UF 4356  | Nut - plain    | . | 437 | dia. |          |             | 3       |
| 10289                 | 6        |      | ST 15904 | Washer - plain | . | 437 | i/d  |          |             | 1       |
|                       |          |      |          |                |   |     |      |          |             |         |
|                       |          |      |          |                |   |     |      |          |             |         |
|                       |          |      |          |                |   |     |      |          |             |         |
|                       |          |      |          |                |   |     |      |          |             |         |
|                       |          |      |          |                |   |     |      |          |             |         |
|                       |          |      |          |                |   |     |      |          |             |         |
|                       |          |      |          |                |   |     |      |          |             |         |
|                       |          |      |          |                |   |     |      |          |             |         |
|                       |          |      |          |                |   |     |      |          |             |         |
|                       |          |      |          |                |   |     |      |          |             |         |
|                       |          |      |          |                |   |     |      |          |             |         |
|                       |          |      |          |                |   |     |      |          |             |         |
|                       |          |      |          |                |   |     |      |          |             |         |
|                       |          |      |          |                |   |     |      |          |             |         |
|                       |          |      |          |                |   |     |      |          |             |         |
|                       |          |      |          |                |   |     |      |          |             |         |
|                       |          |      |          |                |   |     |      |          |             |         |
|                       |          |      |          |                |   |     |      |          |             |         |
|                       |          |      |          |                |   |     |      |          |             |         |
|                       |          |      |          |                |   |     |      |          |             |         |
|                       |          |      |          |                |   |     |      |          |             |         |
|                       |          |      |          |                |   |     |      |          |             |         |
|                       |          |      |          |                |   |     |      |          |             |         |
|                       |          |      |          |                |   |     |      |          |             |         |

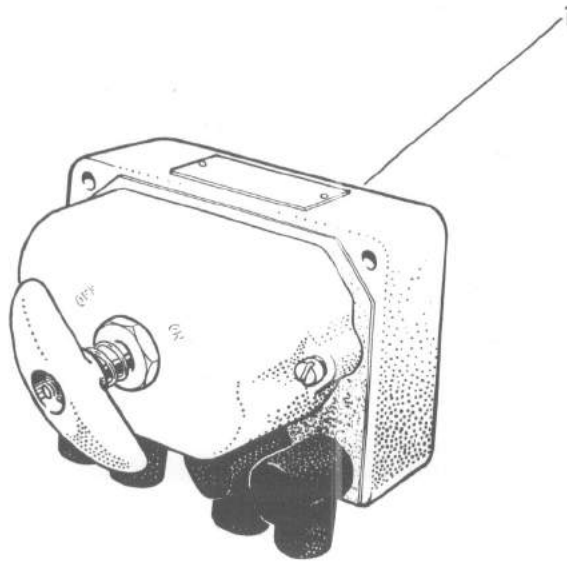
|                                       |  |  |  |  |     |      |         |              |   |
|---------------------------------------|--|--|--|--|-----|------|---------|--------------|---|
| Items marked + not supplied as spares |  |  |  | Compiled   | DWN | Date | 16.9.63 | No. of pages | 1 |
| Alteration O.E.L.                     |  |  |  | Notes  |     |      |         |              |   |
| 6615                                  |  |  |  | A Use when belt guard is not required                    |     |      |         |              |   |
| 7304                                  |  |  |  | B Use when belt guard is fitted                          |     |      |         |              |   |
| 7409                                  |  |  |  | C To replace A or B when stocks of A or B are exhausted. |     |      |         |              |   |
| 10289                                 |  |  |  |  |     |      |         |              |   |
| Scheme No.                            |  |  |  |  |     |      |         |              |   |

ROLLS-ROYCE LIMITED 'C' RANGE ENGINES

Group 290/1

Group Title ELECTRICAL WIRING AND FITTINGS

Plate 1 Issue 1



|          |    |      |         |               |   |
|----------|----|------|---------|---------------|---|
| Compiled | PJ | Date | 28-1-64 | No. of plates | 1 |
|----------|----|------|---------|---------------|---|

# ROLLS-ROYCE LIMITED 'C' RANGE ENGINES

Group 290/1M

Page 1 Issue 1

Group Title ELECTRICAL WIRING AND FITTINGS

| Alteration O.E.L. No.                 | Item No. | Note | Part No. |          |    |      |         |              | Description                           | No. Off |
|---------------------------------------|----------|------|----------|----------|----|------|---------|--------------|---------------------------------------|---------|
|                                       |          |      |          | 1        | 2  | 3    | 4       | 5            |                                       |         |
|                                       | 1        |      | OD 3005  |          |    |      |         |              | Master switch                         | 1       |
|                                       |          |      |          |          |    |      |         |              |                                       |         |
|                                       |          |      |          |          |    |      |         |              | FOR SPARES AND/OR SERVICE USE ONLY    |         |
|                                       |          |      | OD 3005  |          |    |      |         |              | Master switch                         | 1       |
|                                       |          |      | OD 7959  |          |    |      |         |              | Block insulator                       | 1       |
|                                       |          |      | OD 7964  |          |    |      |         |              | Contact - connector                   | 2       |
|                                       |          |      | OD 7966  |          |    |      |         |              | Contact                               | 2       |
|                                       |          |      | OD 7972  |          |    |      |         |              | Cover, rubber - small, cable socket   | 4       |
|                                       |          |      | OD 3139  |          |    |      |         |              | Holder - contact                      | 1       |
|                                       |          |      | OD 7961  |          |    |      |         |              | Nut - terminal and stud fixing        | 4       |
|                                       |          |      | OD 7968  |          |    |      |         |              | Nut - contact and terminal            | 12      |
|                                       |          |      | OD 7970  |          |    |      |         |              | Nut - thick - terminal large          | 4       |
|                                       |          |      | OD 7960  |          |    |      |         |              | Ring - retaining - screw fixing cover | 2       |
|                                       |          |      | OD 3149  |          |    |      |         |              | Screw - fixing cover                  | 2       |
|                                       |          |      | OD 3141  |          |    |      |         |              | Spring - plunger                      | 1       |
|                                       |          |      | OD 7973  |          |    |      |         |              | Spring                                | 1       |
|                                       |          |      | OD 7969  |          |    |      |         |              | Socket - cable                        | 4       |
|                                       |          |      | OD 7965  |          |    |      |         |              | Stud - fixing - contact connector     | 2       |
|                                       |          |      | OD 7967  |          |    |      |         |              | Terminal - large                      | 4       |
|                                       |          |      | OD 7971  |          |    |      |         |              | Washer - spring                       | 4       |
|                                       |          |      | OD 7821  |          |    |      |         |              | Washer - plain - terminals            | 2       |
| Items marked + not supplied as spares |          |      |          | Compiled | GP | Date | 8.2.63. | No. of pages | 2                                     |         |
| Alteration O.E.L.                     |          |      |          | Notes    |    |      |         |              |                                       |         |
|                                       |          |      |          |          |    |      |         |              |                                       |         |
|                                       |          |      |          |          |    |      |         |              |                                       |         |
| Scheme No.                            |          |      |          |          |    |      |         |              |                                       |         |

GP



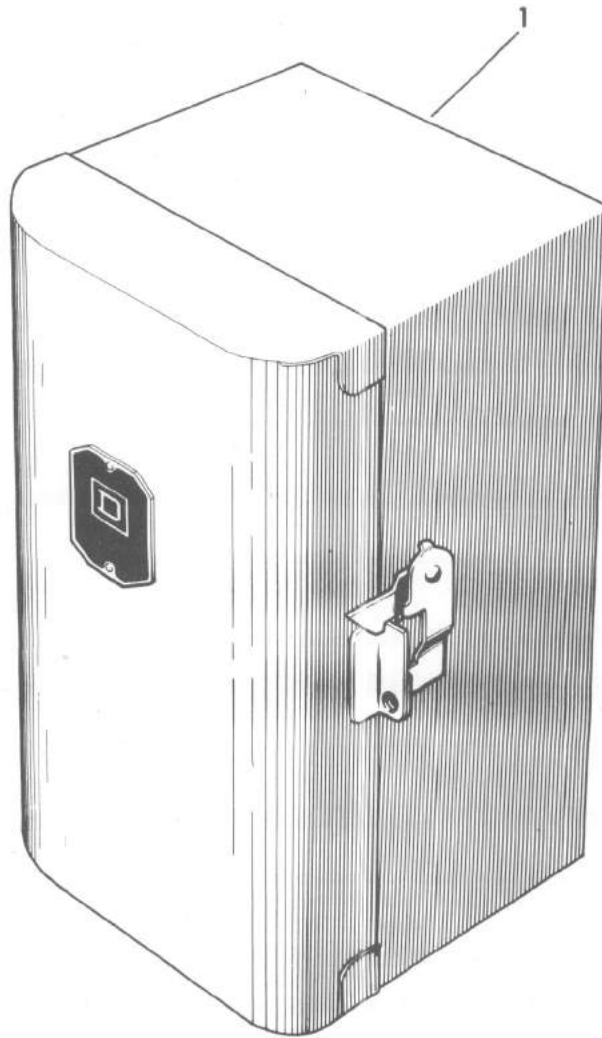
# ROLLS-ROYCE LIMITED 'C' RANGE ENGINES

|       |           |
|-------|-----------|
| Group | 290/1M    |
| Page  | 2 Issue 2 |

Group Title ELECTRICAL WIRING AND FITTINGS

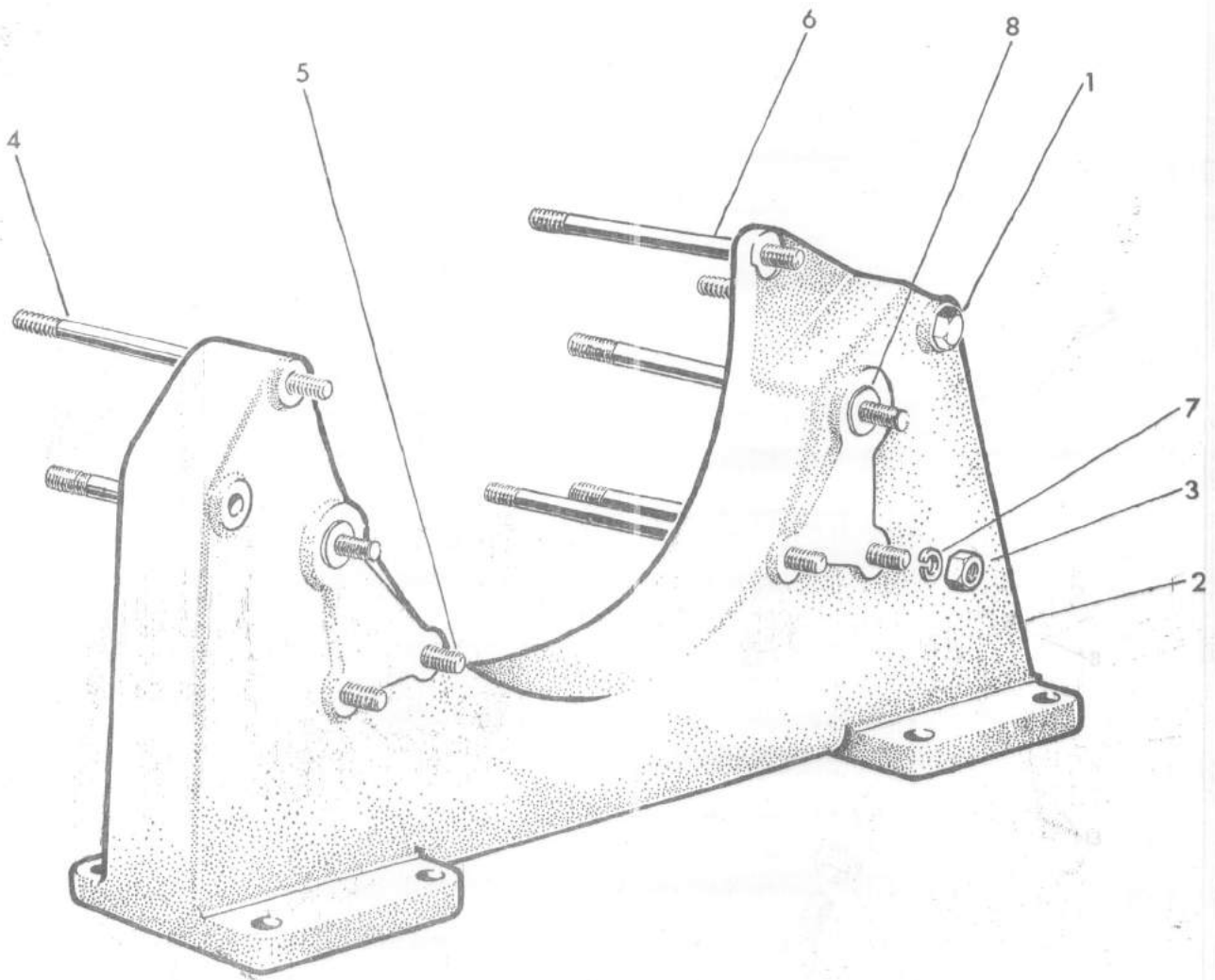
| Alteration O.E.L No. | Item No. | Note | Part No. |   |   |   |   |   | Description                               | No. Off |
|----------------------|----------|------|----------|---|---|---|---|---|---|---------|
|                      |          |      |          | 1 | 2 | 3 | 4 | 5 |   |         |
|                      |          |      |          |   |   |   |   |   | FOR SPARES AND/OR SERVICE USE ONLY (cont) |         |
|                      |          |      | OD 7963  |   |   |   |   |   | Washer - spring - terminal and stud       | 4       |
|                      |          |      | OD 7962  |   |   |   |   |   | Washer - plain - terminal and stud        | 4       |
|                      |          |      | OD 6942  |   |   |   |   |   | Washer - spring - fixing screw cover      | 2       |
|                      |          |      |          |   |   |   |   |   |   |         |
|                      |          |      |          |   |   |   |   |   |   |         |
|                      |          |      |          |   |   |   |   |   |   |         |
|                      |          |      |          |   |   |   |   |   |   |         |
|                      |          |      |          |   |   |   |   |   |   |         |
|                      |          |      |          |   |   |   |   |   |   |         |
|                      |          |      |          |   |   |   |   |   |   |         |
|                      |          |      |          |   |   |   |   |   |   |         |
|                      |          |      |          |   |   |   |   |   |   |         |
|                      |          |      |          |   |   |   |   |   |   |         |
|                      |          |      |          |   |   |   |   |   |   |         |
|                      |          |      |          |   |   |   |   |   |   |         |
|                      |          |      |          |   |   |   |   |   |   |         |
|                      |          |      |          |   |   |   |   |   |   |         |
|                      |          |      |          |   |   |   |   |   |   |         |
|                      |          |      |          |   |   |   |   |   |   |         |
|                      |          |      |          |   |   |   |   |   |   |         |
|                      |          |      |          |   |   |   |   |   |   |         |
|                      |          |      |          |   |   |   |   |   |   |         |
|                      |          |      |          |   |   |   |   |   |   |         |
|                      |          |      |          |   |   |   |   |   |   |         |
|                      |          |      |          |   |   |   |   |   |   |         |
|                      |          |      |          |   |   |   |   |   |   |         |
|                      |          |      |          |   |   |   |   |   |   |         |
|                      |          |      |          |   |   |   |   |   |   |         |

|                                       |  |          |    |       |          |              |   |
|---------------------------------------|--|----------|----|-------|----------|--------------|---|
| Items marked + not supplied as spares |  | Compiled | GP | Date  | 15.1.64. | No. of pages | 2 |
| Alteration O.E.L.                     |  |          |    | Notes |          |              |   |
| 10557                                 |  |          |    |       |          |              |   |
|                                       |  |          |    |       |          |              |   |
| Scheme No.                            |  |          |    |       |          |              |   |



|          |     |      |             |               |   |
|----------|-----|------|-------------|---------------|---|
| Compiled | DSE | Date | 28 · 1 · 64 | No. of plates | 1 |
|----------|-----|------|-------------|---------------|---|





|          |      |      |            |               |   |
|----------|------|------|------------|---------------|---|
| Compiled | G.C. | Date | 5 · 5 · 64 | No. of plates | 1 |
|----------|------|------|------------|---------------|---|

# ROLLS-ROYCE LIMITED 'C' RANGE ENGINES

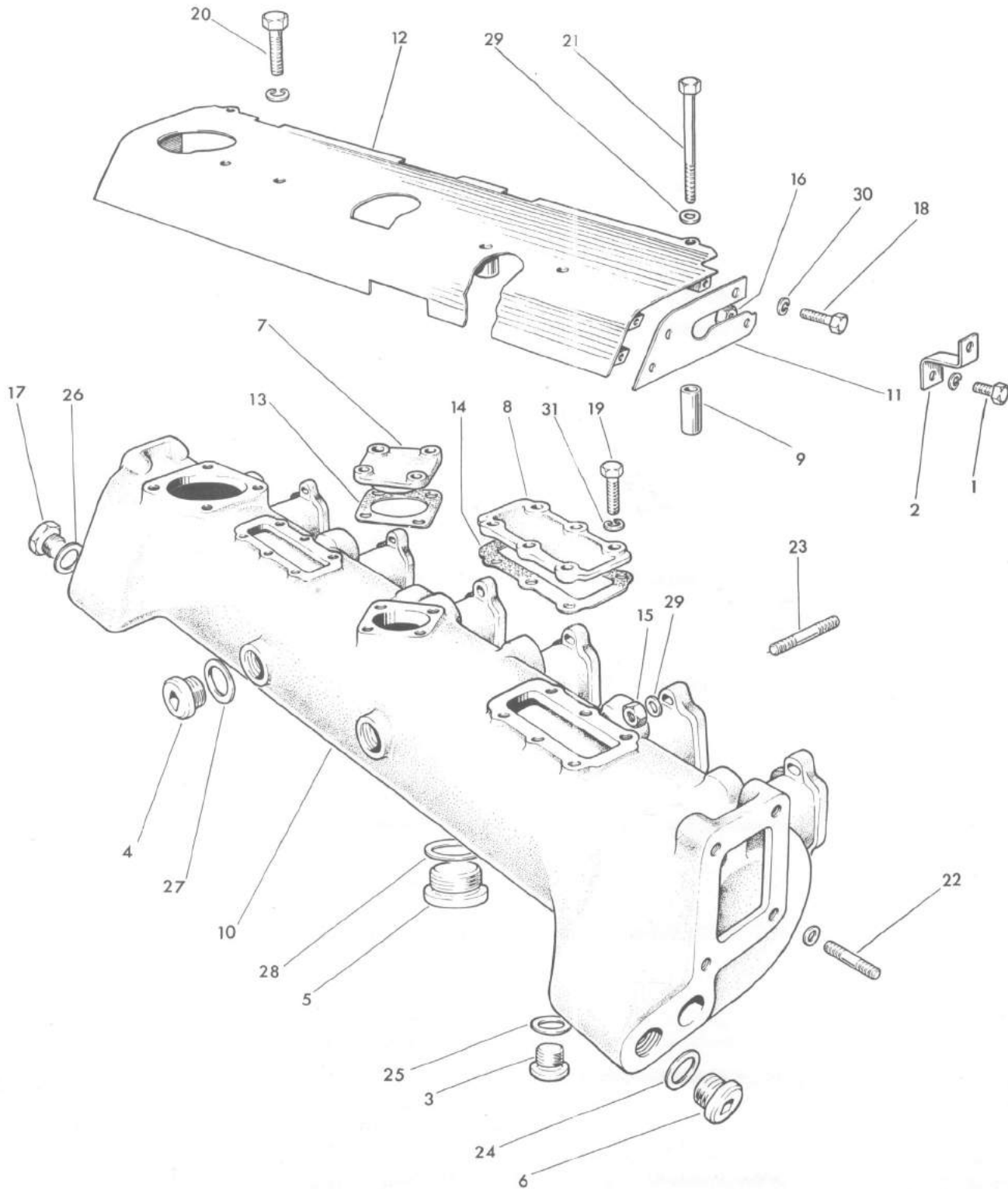
Group Title ENGINE MOUNTING (Front)

| Alteration O.E.L No. | Item No. | Note | Part No. |   |   |   |   |   | Description               | No. Off |
|----------------------|----------|------|----------|---|---|---|---|---|---------------------------|---------|
|                      |          |      |          | 1 | 2 | 3 | 4 | 5 |                           |         |
|                      | 1        | A    | OE 4427  |   |   |   |   |   | Bolt .437 dia. by 7.375   | 1       |
|                      |          | B    | UF 1627  |   |   |   |   |   | Bolt .437 dia. by 6.500   | 1       |
|                      | 2        |      | OE 13337 |   |   |   |   |   | Bracket                   | 1       |
|                      | 3        |      | UF 4356  |   |   |   |   |   | Nut - plain .437 dia.     | 10      |
|                      | 4        |      | UF 3411  |   |   |   |   |   | Stud .437 dia. by 4.00    |         |
|                      |          |      |          |   |   |   |   |   | mounting to wheelcase     | 2       |
|                      | 5        |      | OE 4426  |   |   |   |   |   | Stud .437 dia. by 7.375   |         |
|                      |          |      |          |   |   |   |   |   | mounting to wheelcase     | 6       |
|                      | 6        |      | UF 3415  |   |   |   |   |   | Stud .437 dia. by 5.00    |         |
|                      |          |      |          |   |   |   |   |   | mounting to crankcase     | 1       |
|                      | 7        |      | ST 16284 |   |   |   |   |   | Washer - grover .437 i/d  | 10      |
|                      | 8        |      | OE 29246 |   |   |   |   |   | Washer - special .450 i/d | 2       |
|                      |          |      |          |   |   |   |   |   |                           |         |
|                      |          |      |          |   |   |   |   |   |                           |         |
|                      |          |      |          |   |   |   |   |   |                           |         |
|                      |          |      |          |   |   |   |   |   |                           |         |
|                      |          |      |          |   |   |   |   |   |                           |         |
|                      |          |      |          |   |   |   |   |   |                           |         |
|                      |          |      |          |   |   |   |   |   |                           |         |
|                      |          |      |          |   |   |   |   |   |                           |         |
|                      |          |      |          |   |   |   |   |   |                           |         |
|                      |          |      |          |   |   |   |   |   |                           |         |
|                      |          |      |          |   |   |   |   |   |                           |         |
|                      |          |      |          |   |   |   |   |   |                           |         |
|                      |          |      |          |   |   |   |   |   |                           |         |
|                      |          |      |          |   |   |   |   |   |                           |         |
|                      |          |      |          |   |   |   |   |   |                           |         |
|                      |          |      |          |   |   |   |   |   |                           |         |
|                      |          |      |          |   |   |   |   |   |                           |         |

11/3

|                                       |          |    |      |   |              |   |
|---------------------------------------|----------|----|------|---|--------------|---|
| Items marked + not supplied as spares | Compiled | GP | Date | 8, 6, 64                                    | No. of pages | 1 |
| Alteration O.E.L.                     |          |    |      | Notes                                       |              |   |
| 10373                                 |          |    |      | A Use with supercharger type wheelcase      |              |   |
| 10997                                 |          |    |      | B Use with non- supercharger type wheelcase |              |   |
| Scheme No.                            |          |    |      |   |              |   |





|          |      |      |             |               |   |
|----------|------|------|-------------|---------------|---|
| Compiled | M.H. | Date | 21. 10. 63. | No. of plates | 1 |
|----------|------|------|-------------|---------------|---|

# ROLLS-ROYCE LIMITED 'C' RANGE ENGINES

Group 330/113M

Page 1 Issue 2

Group Title EXHAUST MANIFOLD

| Alteration<br>O.E.L<br>No. | Item<br>No. | Note | Part No. | Description                                      |   |   |   |   | No.<br>Off |    |
|----------------------------|-------------|------|----------|--|---|---|---|---|------------|----|
|                            |             |      |          | 1  | 2 | 3 | 4 | 5 |            |    |
|                            | 1           |      | UF 1450  | Bolt   |   |   |   |   |            | 1  |
|                            | 2           |      | OE 31383 | Bracket  |   |   |   |   |            | 1  |
|                            | 3           | A    | UF 5403  | Core plug .812 dia.                              |   |   |   |   |            | 3  |
|                            | 4           | A    | UF 5408  | Core plug 1.125 dia.                             |   |   |   |   |            | 2  |
|                            | 5           | A    | UF 5067  | Core plug 1.750 dia.                             |   |   |   |   |            | 2  |
|                            | 6           | A    | UF 5402  | Core plug .750 dia.                              |   |   |   |   |            | 1  |
|                            | 7           | A    | OE 8367  | Cover - top face - centre                        |   |   |   |   |            | 1  |
|                            | 8           |      | OE 9363  | Cover - top faces                                |   |   |   |   |            | 2  |
|                            | 9           |      | OE 27820 | Distance piece - shield                          |   |   |   |   |            | 2  |
|                            | 10          |      | OE 27035 | Exhaust manifold                                 |   |   |   |   |            | 1  |
|                            | 11          |      | OE 31384 | Front - end cover                                |   |   |   |   |            | 1  |
|                            | 12          |      | OE 31364 | Heat shield assembly                             |   |   |   |   |            | 1  |
|                            |             |      | OE 27832 | + Distance piece                                 |   |   |   |   |            | 4  |
|                            |             |      | OE 27830 | + Rear end cover                                 |   |   |   |   |            | 1  |
|                            |             |      | OE 30931 | + Shield   |   |   |   |   |            | 1  |
|                            |             |      | OE 27831 | + Tapping block                                  |   |   |   |   |            | 3  |
|                            | 13          | A    | OE 4935  | Joint cover - centre                             |   |   |   |   |            | 1  |
|                            | 14          |      | OE 29380 | Joint cover - top faces                          |   |   |   |   |            | 2  |
|                            | 15          |      | OE 7407  | Nut - plain .375 dia.                            |   |   |   |   |            | 16 |
|                            | 16          |      | UF 4353  | Nut  |   |   |   |   |            | 1  |
|                            | 17          | A    | ST 20104 | Plug .500 B.S.P.                                 |   |   |   |   |            | 2  |
|                            | 18          |      | UF 1453  | Setscrew .250 dia. by .875 - end to shield       |   |   |   |   |            | 3  |
|                            | 19          |      | UF 1505  | Setscrew .312 dia. by 1.125 - covers to manifold |   |   |   |   |            | 12 |
|                            | 20          |      | UF 1506  | Setscrew .312 dia. by 1.250 - shield to manifold |   |   |   |   |            | 4  |

Items marked + not supplied as spares      Compiled      EG      Date 26.6.64      No. of pages 2

| Alteration O.E.L. | Notes  |
|-------------------|--|
| 11067             | A Quantities may vary if certain optional equipment is fitted. |
|                   |  |
|                   |  |

Scheme No.

# ROLLS-ROYCE LIMITED 'C' RANGE ENGINES

Group 330/113M  
Page 2 Issue 1

Group Title EXHAUST MANIFOLD

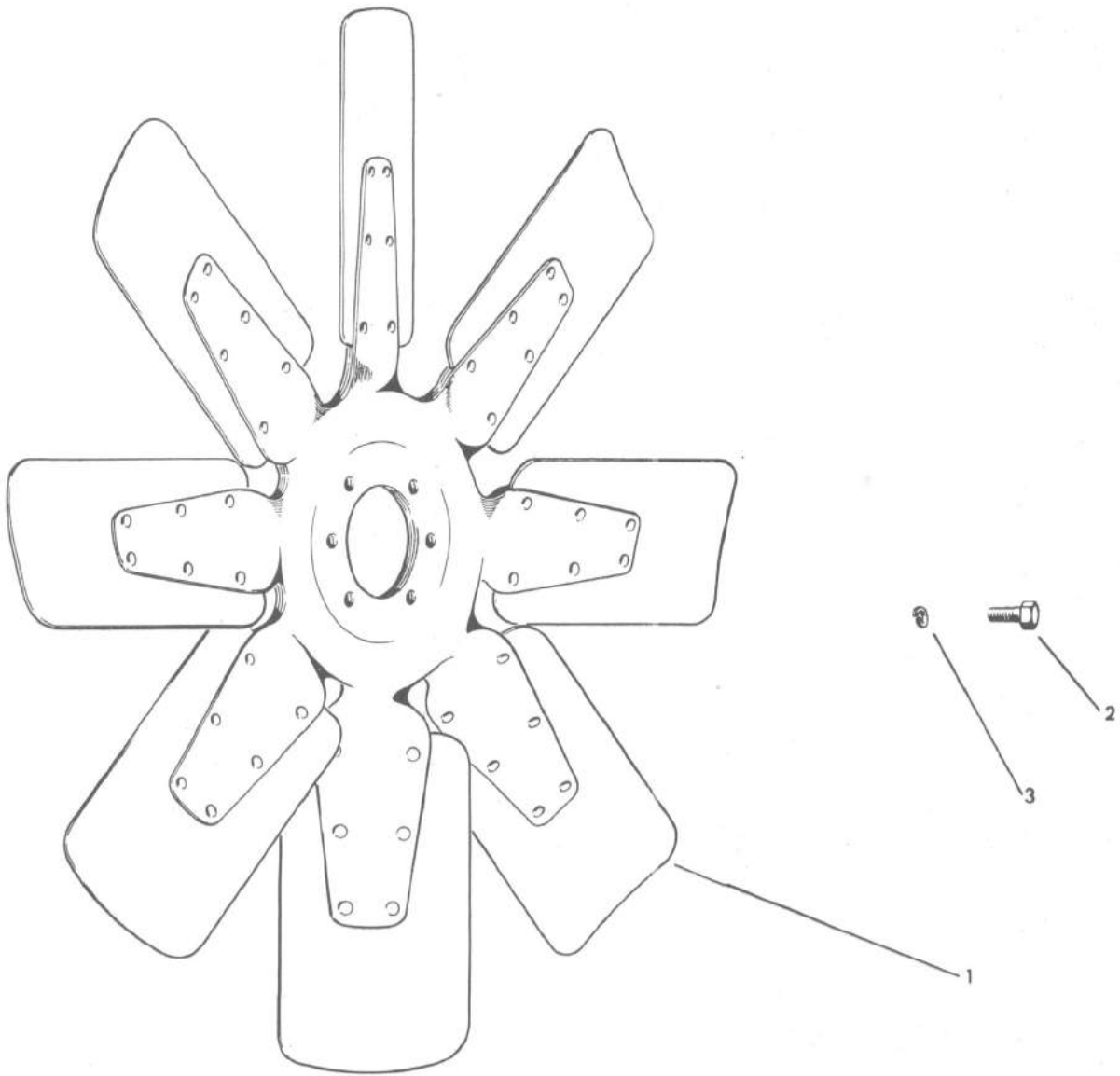
| Alteration<br>O.E.L<br>No. | Item<br>No. | Note | Part No. | Description |           |                           |   |   | No.<br>Off |    |
|----------------------------|-------------|------|----------|-------------|-----------|---------------------------|---|---|------------|----|
|                            |             |      |          | 1           | 2         | 3                         | 4 | 5 |            |    |
|                            | 21          |      | UF 1569  | Setscrew    | .375 dia. | by 3.750                  |   |   |            |    |
|                            |             |      |          |             |           | shield to cylinder head   |   |   |            | 2  |
|                            | 22          |      | UF 3352  | Stud        | .375 dia. | by 1.500 - exhaust outlet |   |   |            | 4  |
|                            | 23          |      | UF 3355  | Stud        | .375 dia. | by 1.875 -                |   |   |            |    |
|                            |             |      |          |             |           | manifold to cylinder head |   |   |            | 12 |
|                            | 24          | A    | KB 1091  | Washer      | - joint   | .750 i/d                  |   |   |            | 1  |
|                            | 25          | A    | KB 1089  | Washer      | - joint   | .812 i/d                  |   |   |            | 3  |
|                            | 26          | A    | KB 1098  | Washer      | - joint   | .830 i/d                  |   |   |            | 2  |
|                            | 27          | A    | KB 1094  | Washer      | - joint   | 1.125 i/d                 |   |   |            | 2  |
|                            | 28          | A    | KB 1195  | Washer      | - joint   | 1.750 i/d                 |   |   |            | 2  |
|                            | 29          |      | ST 15903 | Washer      | - plain   | .375 i/d                  |   |   |            | 18 |
|                            | 30          |      | ST 16258 | Washer      | - spring  | .250 i/d                  |   |   |            | 4  |
|                            | 31          |      | ST 16259 | Washer      | - spring  | .312 i/d                  |   |   |            | 16 |
|                            |             |      |          |             |           |                           |   |   |            |    |
|                            |             |      |          |             |           |                           |   |   |            |    |
|                            |             |      |          |             |           |                           |   |   |            |    |
|                            |             |      |          |             |           |                           |   |   |            |    |
|                            |             |      |          |             |           |                           |   |   |            |    |
|                            |             |      |          |             |           |                           |   |   |            |    |
|                            |             |      |          |             |           |                           |   |   |            |    |
|                            |             |      |          |             |           |                           |   |   |            |    |
|                            |             |      |          |             |           |                           |   |   |            |    |
|                            |             |      |          |             |           |                           |   |   |            |    |
|                            |             |      |          |             |           |                           |   |   |            |    |
|                            |             |      |          |             |           |                           |   |   |            |    |
|                            |             |      |          |             |           |                           |   |   |            |    |
|                            |             |      |          |             |           |                           |   |   |            |    |
|                            |             |      |          |             |           |                           |   |   |            |    |
|                            |             |      |          |             |           |                           |   |   |            |    |

|                                       |  |          |                       |      |          |              |   |
|---------------------------------------|--|----------|-----------------------|------|----------|--------------|---|
| Items marked + not supplied as spares |  | Compiled | EG                    | Date | 28.10.63 | No. of pages | 2 |
| Alteration O.E.L.                     |  |          | Notes                 |      |          |              |   |
|                                       |  |          | A See note on page 1. |      |          |              |   |
|                                       |  |          |                       |      |          |              |   |
| Scheme No.                            |  |          |                       |      |          |              |   |

Group Title

FAN

Plate 1 Issue 1



|          |     |      |         |               |   |
|----------|-----|------|---------|---------------|---|
| Compiled | JDS | Date | 20-8-63 | No. of plates | 1 |
|----------|-----|------|---------|---------------|---|

# ROLLS-ROYCE LIMITED 'C' RANGE ENGINES

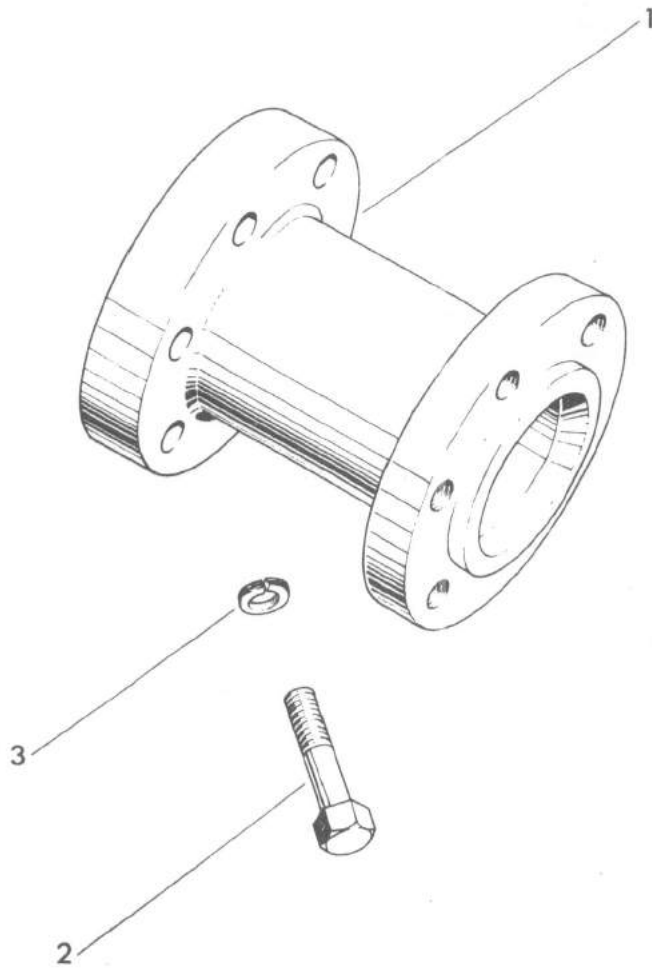
|       |         |       |   |
|-------|---------|-------|---|
| Group | 335/26M |       |   |
| Page  | 1       | Issue | 4 |

Group Title FAN

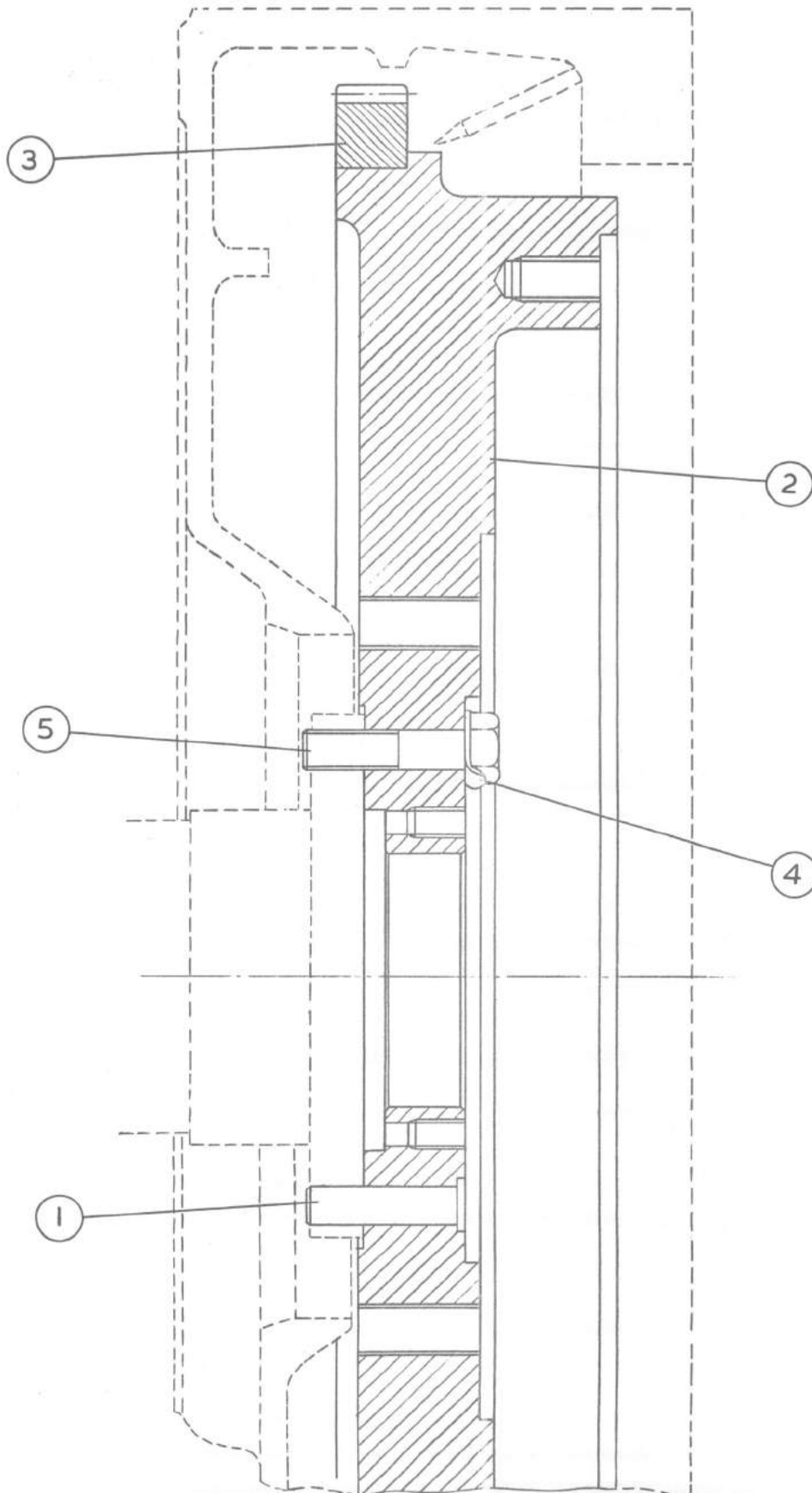
| Alteration<br>O.E.L.<br>No. | Item<br>No. | Note | Part No. | Description                                 |   |   |   |   | No.<br>Off |
|-----------------------------|-------------|------|----------|---|---|---|---|---|------------|
|                             |             |      |          | 1   | 2 | 3 | 4 | 5 |            |
| 10333                       | 1           |      | OE 32100 | Fan assembly 29 inch diameter (Pusher type) |   |   |   |   | 1          |
|                             | 2           | A    | UF 1503  | Setscrew .312 dia. by .875                  |   |   |   |   | 6          |
|                             | 3           | A    | ST 16282 | Washer - grover                             |   |   |   |   | 6          |
|                             |             |      |          |   |   |   |   |   |            |
|                             |             |      |          |   |   |   |   |   |            |
|                             |             |      |          |   |   |   |   |   |            |
|                             |             |      |          |   |   |   |   |   |            |
|                             |             |      |          |   |   |   |   |   |            |
|                             |             |      |          |   |   |   |   |   |            |
|                             |             |      |          |   |   |   |   |   |            |
|                             |             |      |          |   |   |   |   |   |            |
|                             |             |      |          |   |   |   |   |   |            |
|                             |             |      |          |   |   |   |   |   |            |
|                             |             |      |          |   |   |   |   |   |            |
|                             |             |      |          |   |   |   |   |   |            |
|                             |             |      |          |   |   |   |   |   |            |
|                             |             |      |          |   |   |   |   |   |            |
|                             |             |      |          |   |   |   |   |   |            |
|                             |             |      |          |   |   |   |   |   |            |
|                             |             |      |          |   |   |   |   |   |            |
|                             |             |      |          |   |   |   |   |   |            |
|                             |             |      |          |   |   |   |   |   |            |
|                             |             |      |          |   |   |   |   |   |            |
|                             |             |      |          |   |   |   |   |   |            |
|                             |             |      |          |   |   |   |   |   |            |

|                                       |  |          |    |   |         |              |   |
|---------------------------------------|--|----------|----|---|---------|--------------|---|
| Items marked + not supplied as spares |  | Compiled | GP | Date  | 8.4.64. | No. of pages | 1 |
| Alteration O.E.L.                     |  |          |    | Notes   |         |              |   |
| 10302                                 |  |          |    | A May not be required if certain types of Fan |         |              |   |
| 10765                                 |  |          |    | Adaptors are fitted                           |         |              |   |
| Scheme No.                            |  |          |    |   |         |              |   |



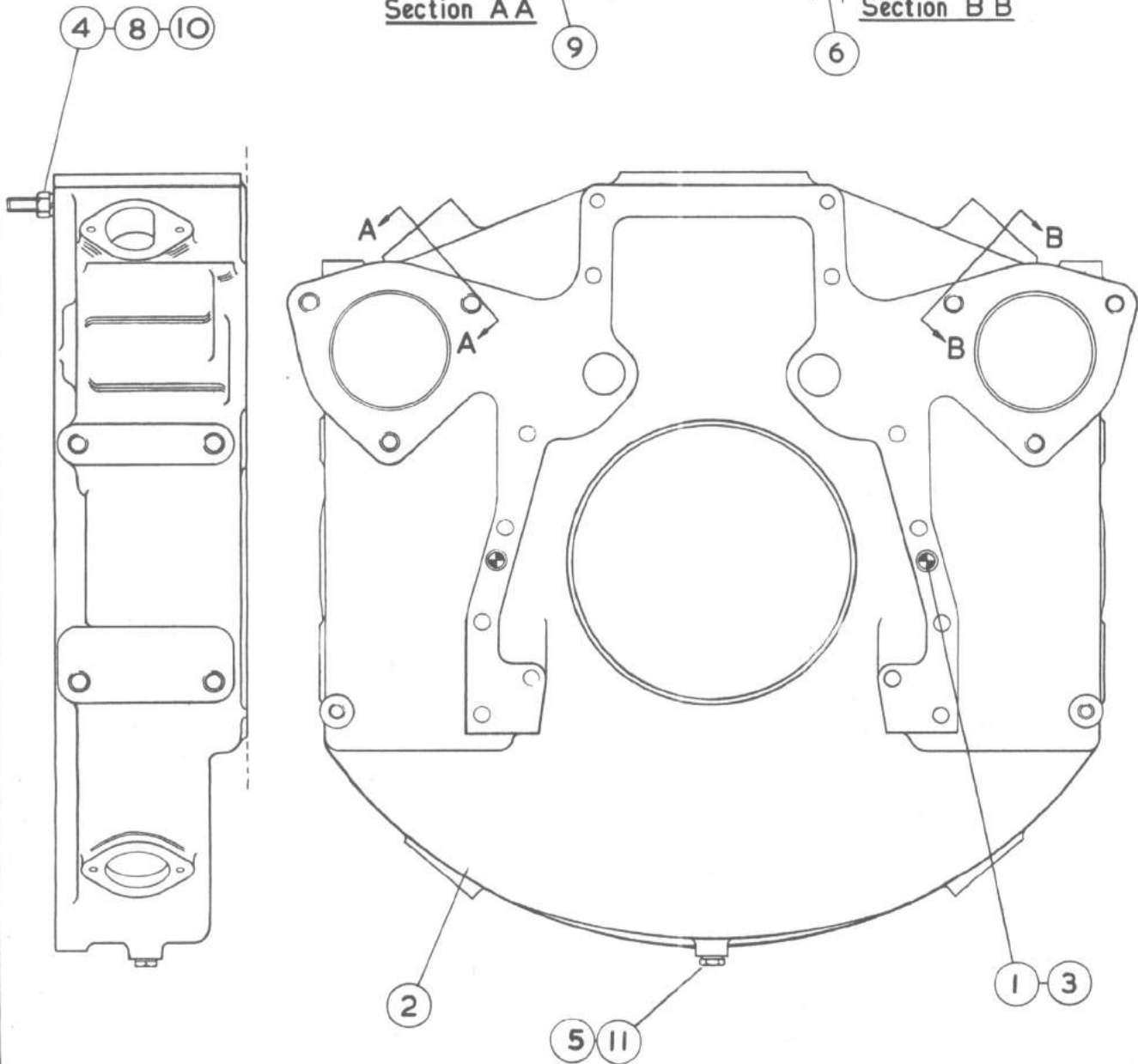
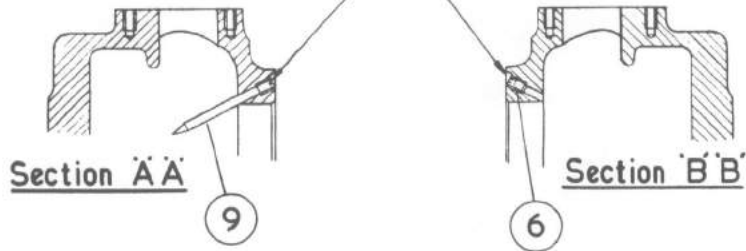




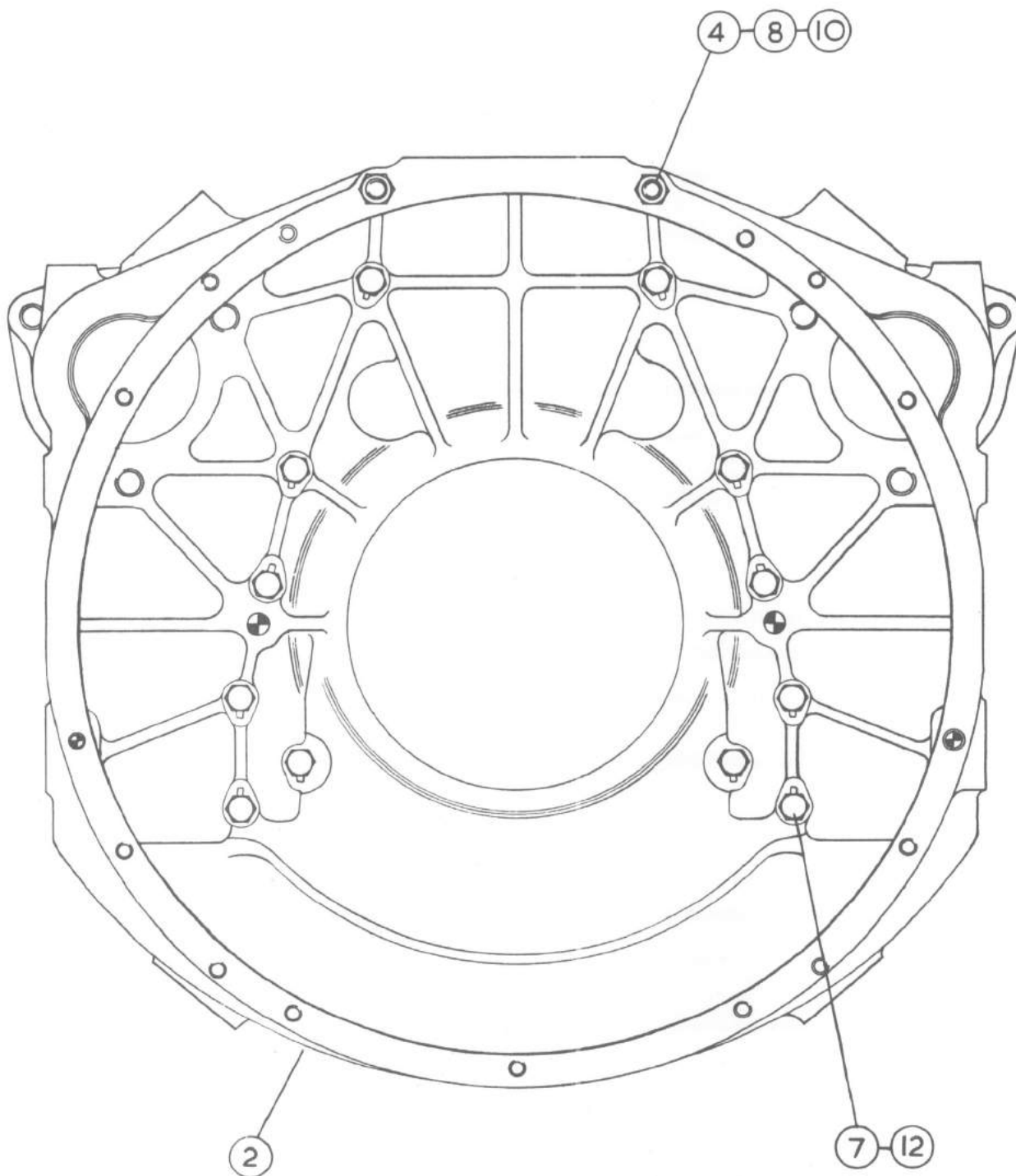




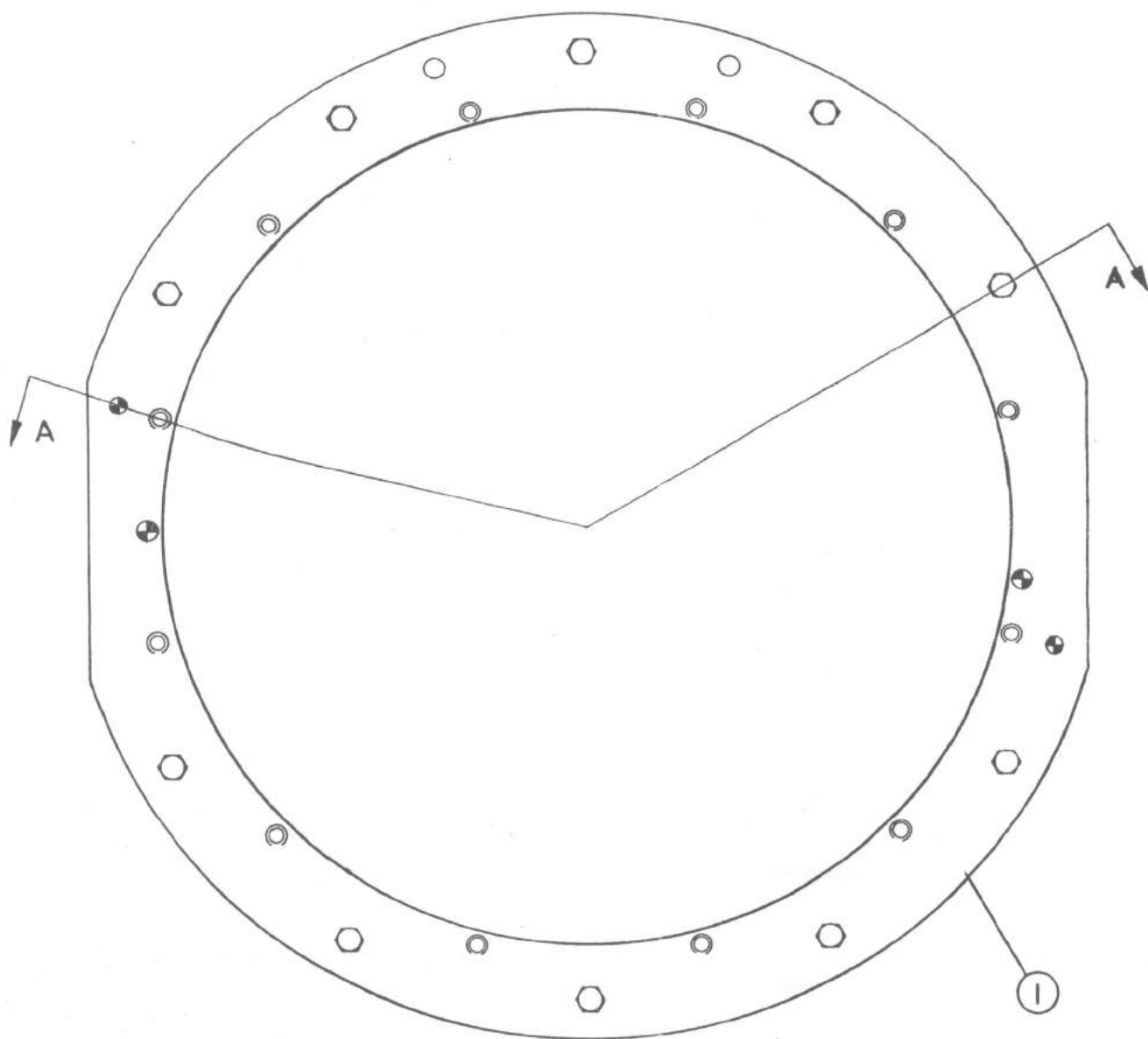
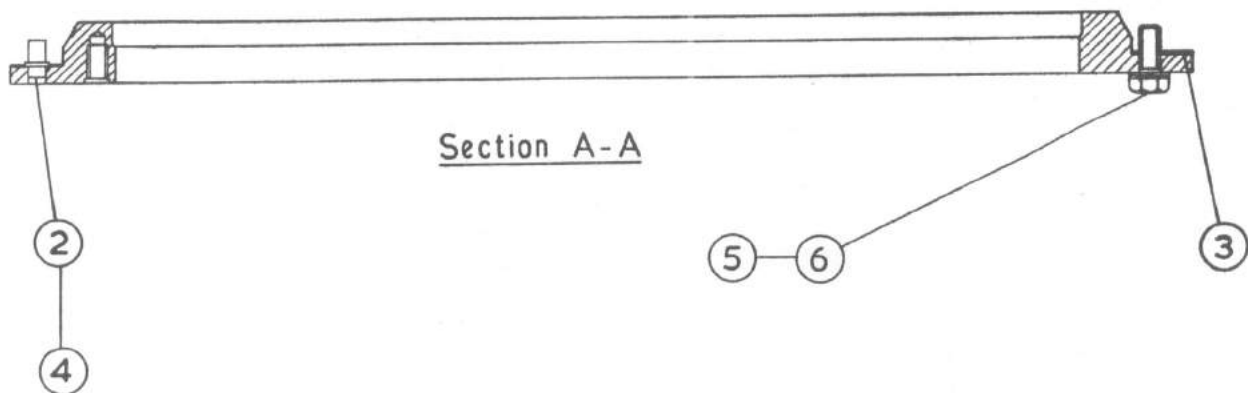
Actual location depends on specific engine type.





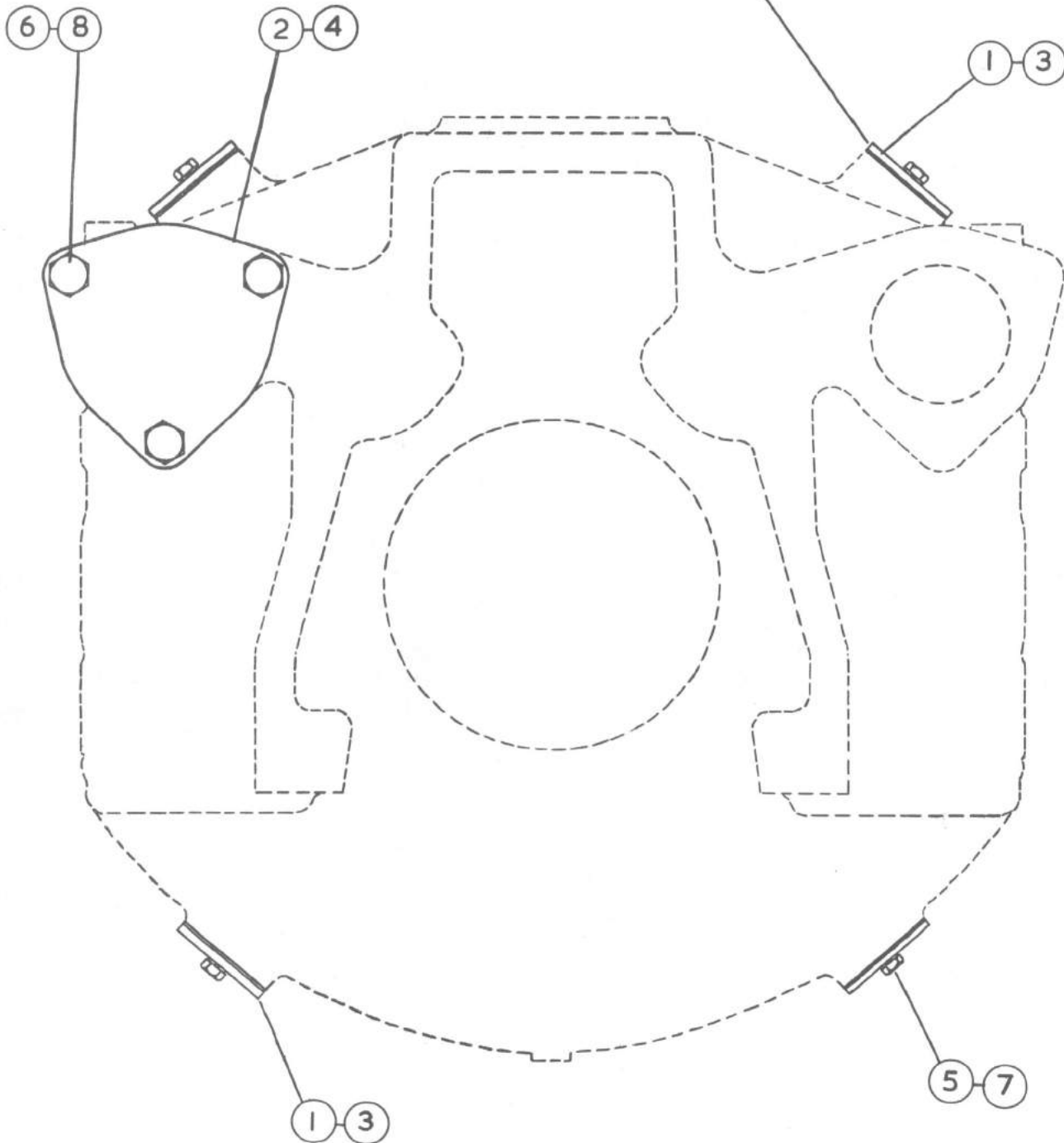






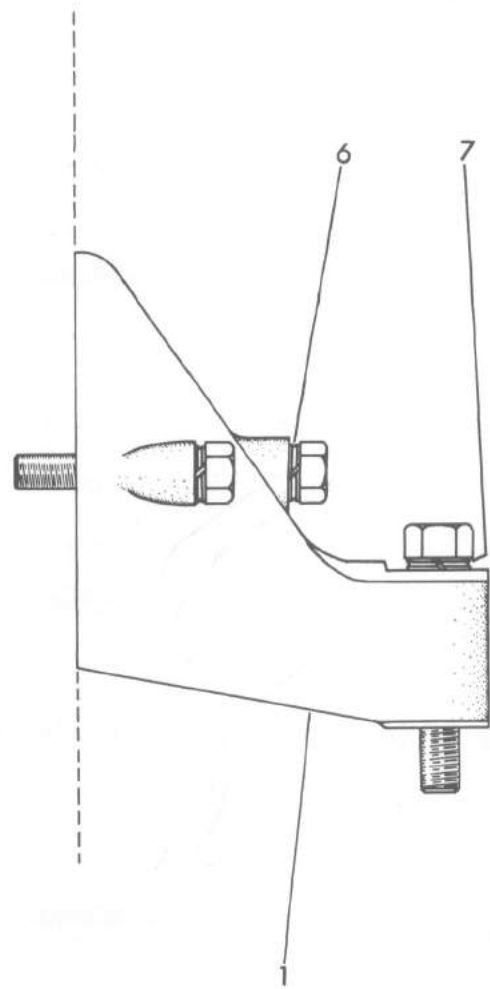
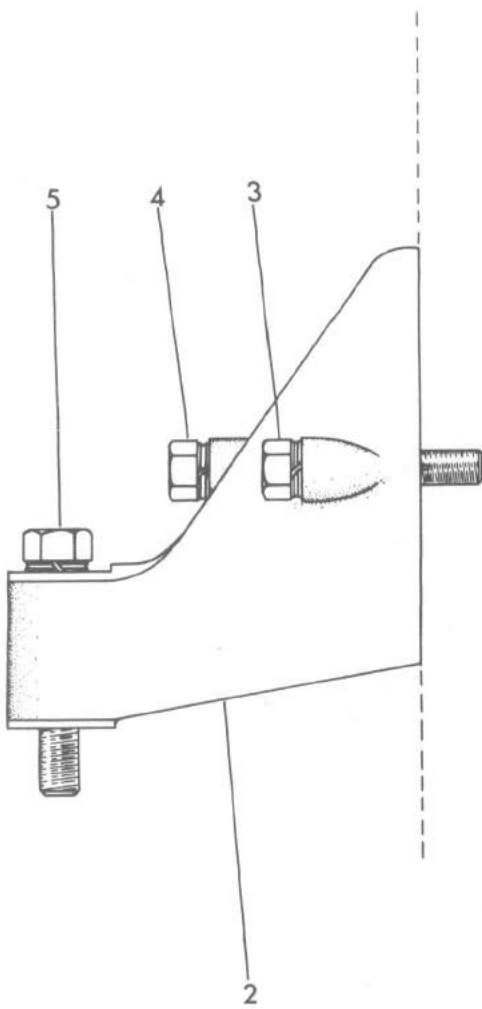


Actual location of timing pointer cover depends upon specific engine type.









|          |    |      |             |               |   |
|----------|----|------|-------------|---------------|---|
| Compiled | GC | Date | 10 · 6 · 64 | No. of plates | 1 |
|----------|----|------|-------------|---------------|---|



# ROLLS-ROYCE LIMITED 'C' RANGE ENGINES

Group 370/322M

Page 1 Issue 2

Group Title FUEL INJECTION PUMP

| Alteration O.E.L. No. | Item No. | Note | Part No. | Description                    |   |   |   |   | No. Off |   |
|-----------------------|----------|------|----------|--------------------------------|---|---|---|---|---------|---|
|                       |          |      |          | 1                              | 2 | 3 | 4 | 5 |         |   |
|                       | 1        | C    | OE 5781  | Adjusting plate                |   |   |   |   |         | 1 |
| 10493                 |          | D    | OE 32535 | Adjusting plate                |   |   |   |   |         | 1 |
|                       | 2        |      | OE 23634 | Bolt .312 dia. by 1.250        |   |   |   |   |         | 2 |
|                       | 3        |      | OE 2331  | Clamping ring                  |   |   |   |   |         | 1 |
|                       | 4        |      | OD 4745  | Nameplate                      |   |   |   |   |         | 1 |
|                       | 5        |      | OE 23642 | Nut - 'Nyloc' .312 dia.        |   |   |   |   |         | 2 |
|                       |          |      | OX 1041  | Pump assembly - fuel injection |   |   |   |   |         | 1 |
|                       | 6        | A    | OD 11505 | Flywheel                       |   |   |   |   |         | 1 |
|                       | 7        | A    | OD 2425  | Indicator - timing             |   |   |   |   |         | 1 |
|                       | 8        |      | UF 1502  | Setscrew .312 dia. by .750     |   |   |   |   |         |   |
|                       |          |      |          | clamping ring to flywheel      |   |   |   |   |         | 4 |
|                       | 9        |      | UF 1559  | Setscrew .375 dia. by 1.750    |   |   |   |   |         |   |
|                       |          |      |          | pump to mounting               |   |   |   |   |         | 2 |
|                       | 10       |      | OD 2676  | Setscrew .375 dia. by 7.150    |   |   |   |   |         |   |
|                       |          |      |          | pump to mounting               |   |   |   |   |         | 2 |
|                       | 11       |      | OD 4756  | Screw - hammer drive           |   |   |   |   |         | 2 |
|                       | 12       |      | OE 23589 | Washer - chamfered .312 i/d    |   |   |   |   |         | 2 |
|                       | 13       |      | ST 16259 | Washer - spring .312 i/d       |   |   |   |   |         | 4 |
|                       | 14       |      | ST 16260 | Washer - spring .375 i/d       |   |   |   |   |         | 4 |

Items marked + not supplied as spares    Compiled    GP    Date 10.12.63.    No. of pages 1

Alteration O.E.L.

Notes

A To be supplied to pump manufacturers for incorporation.

D To replace C when stocks of C are exhausted

Scheme No.

# ROLLS-ROYCE LIMITED 'C' RANGE ENGINES

Group 370/421M

Page 1 Issue 1

Group Title FUEL INJECTION PUMP

| Alteration O.E.L. No. | Item No. | Note | Part No. |   |   |   |   |   | Description                    | No. Off |
|-----------------------|----------|------|----------|---|---|---|---|---|--------------------------------|---------|
|                       |          |      |          | 1 | 2 | 3 | 4 | 5 |                                |         |
|                       | 1        | C    | OE 5781  |   |   |   |   |   | Adjusting plate                | 1       |
|                       |          | D    | OE 32535 |   |   |   |   |   | Adjusting plate                | 1       |
|                       | 2        |      | OE 23634 |   |   |   |   |   | Bolt .312 dia. by 1.250        | 2       |
|                       | 3        |      | OE 2331  |   |   |   |   |   | Clamping ring                  | 1       |
|                       | 4        |      | OD 4745  |   |   |   |   |   | Nameplate                      | 1       |
|                       | 5        |      | OE 23642 |   |   |   |   |   | Nut - 'Nyloc' .312 dia.        | 2       |
|                       |          |      | OX 1051  |   |   |   |   |   | Pump assembly - fuel injection | 1       |
|                       | 6        | A    | OD 11505 |   |   |   |   |   | Flywheel                       | 1       |
|                       | 7        | A    | OD 2425  |   |   |   |   |   | Indicator - timing             | 1       |
|                       | 8        |      | UF 1502  |   |   |   |   |   | Setscrew .312 dia. by .750     |         |
|                       |          |      |          |   |   |   |   |   | clamping ring to flywheel      | 4       |
|                       | 9        |      | UF 1559  |   |   |   |   |   | Setscrew .375 dia. by 1.750    |         |
|                       |          |      |          |   |   |   |   |   | pump to mounting               | 2       |
|                       | 10       |      | OD 2676  |   |   |   |   |   | Setscrew .375 dia. by 7.150    |         |
|                       |          |      |          |   |   |   |   |   | pump to mounting               | 2       |
|                       | 11       |      | OD 4756  |   |   |   |   |   | Screw - hammer drive           | 2       |
|                       | 12       |      | OE 23589 |   |   |   |   |   | Washer - chamfered .312 i/d    | 2       |
|                       | 13       |      | ST 16259 |   |   |   |   |   | Washer - spring .312 i/d       | 4       |
|                       | 14       |      | ST 16260 |   |   |   |   |   | Washer - spring .375 i/d       | 4       |

Items marked + not supplied as spares    Compiled JE    Date 8.1.64    No. of pages 1

Alteration O.E.L.

Notes

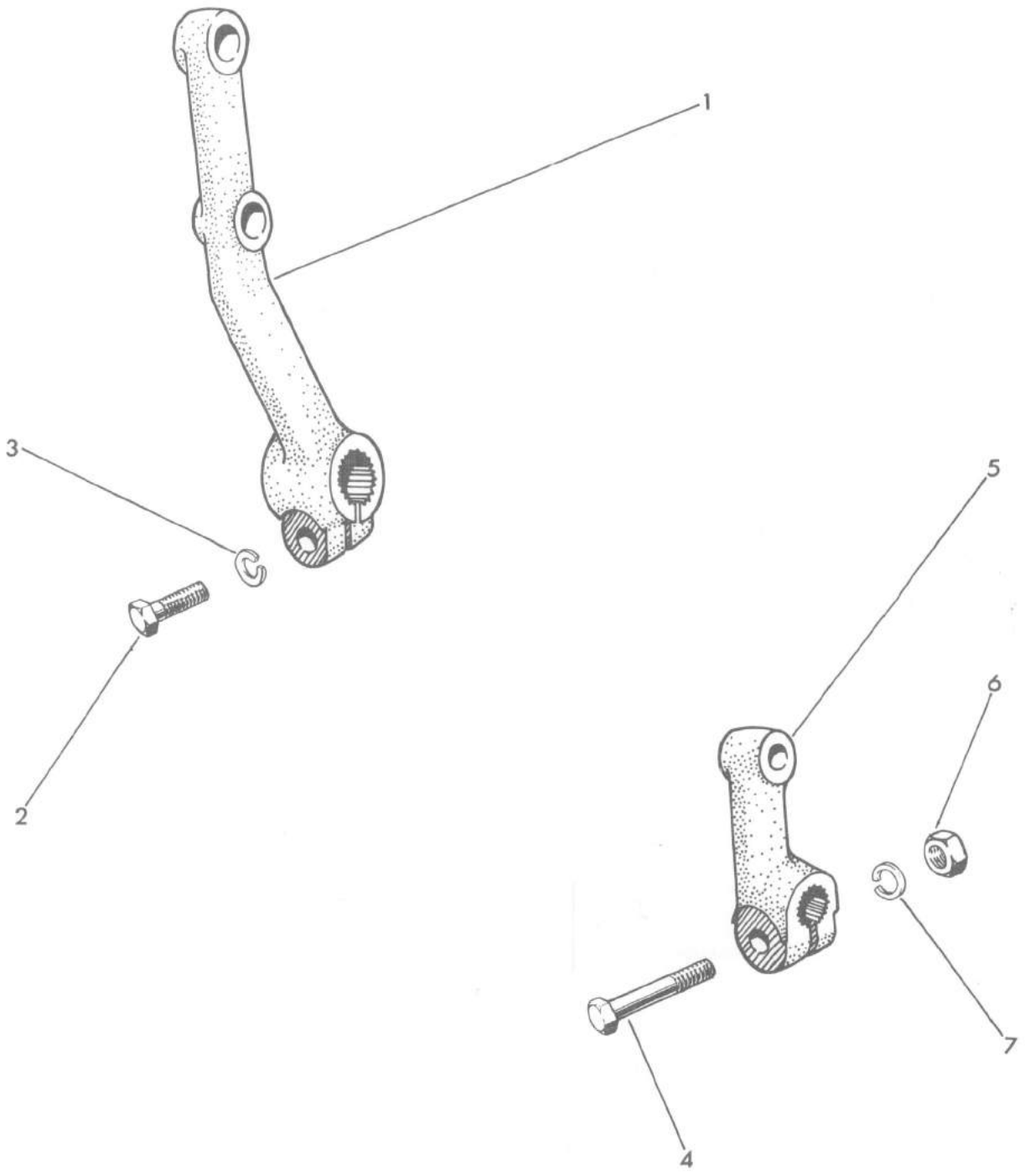
A to be supplied to pump manufacturers for incorporation.  
D to replace C when stocks of C are exhausted.

Scheme No.



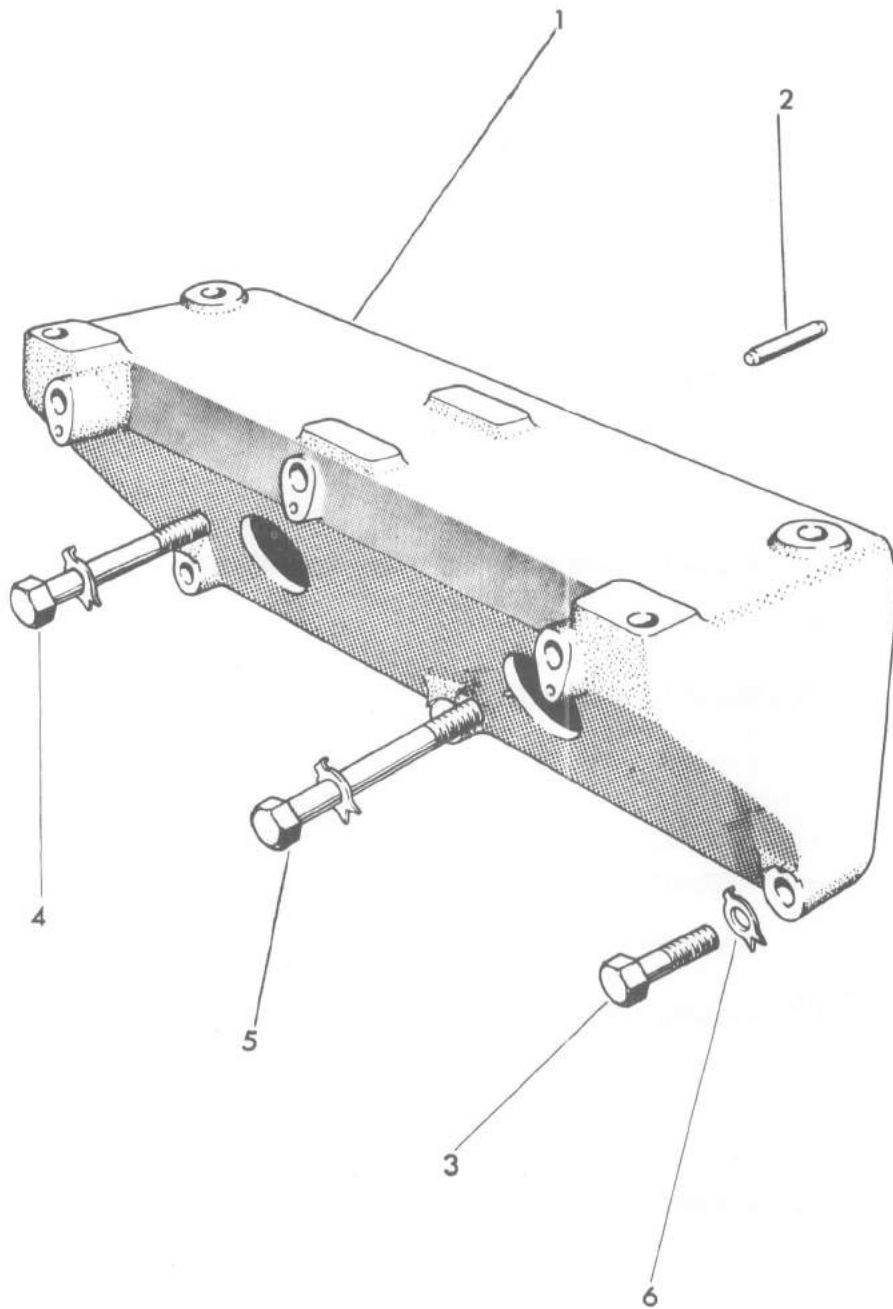
Group Title

FUEL INJECTION PUMP



|          |    |      |           |               |   |
|----------|----|------|-----------|---------------|---|
| Compiled | RW | Date | 10. 4. 64 | No. of plates | 1 |
|----------|----|------|-----------|---------------|---|



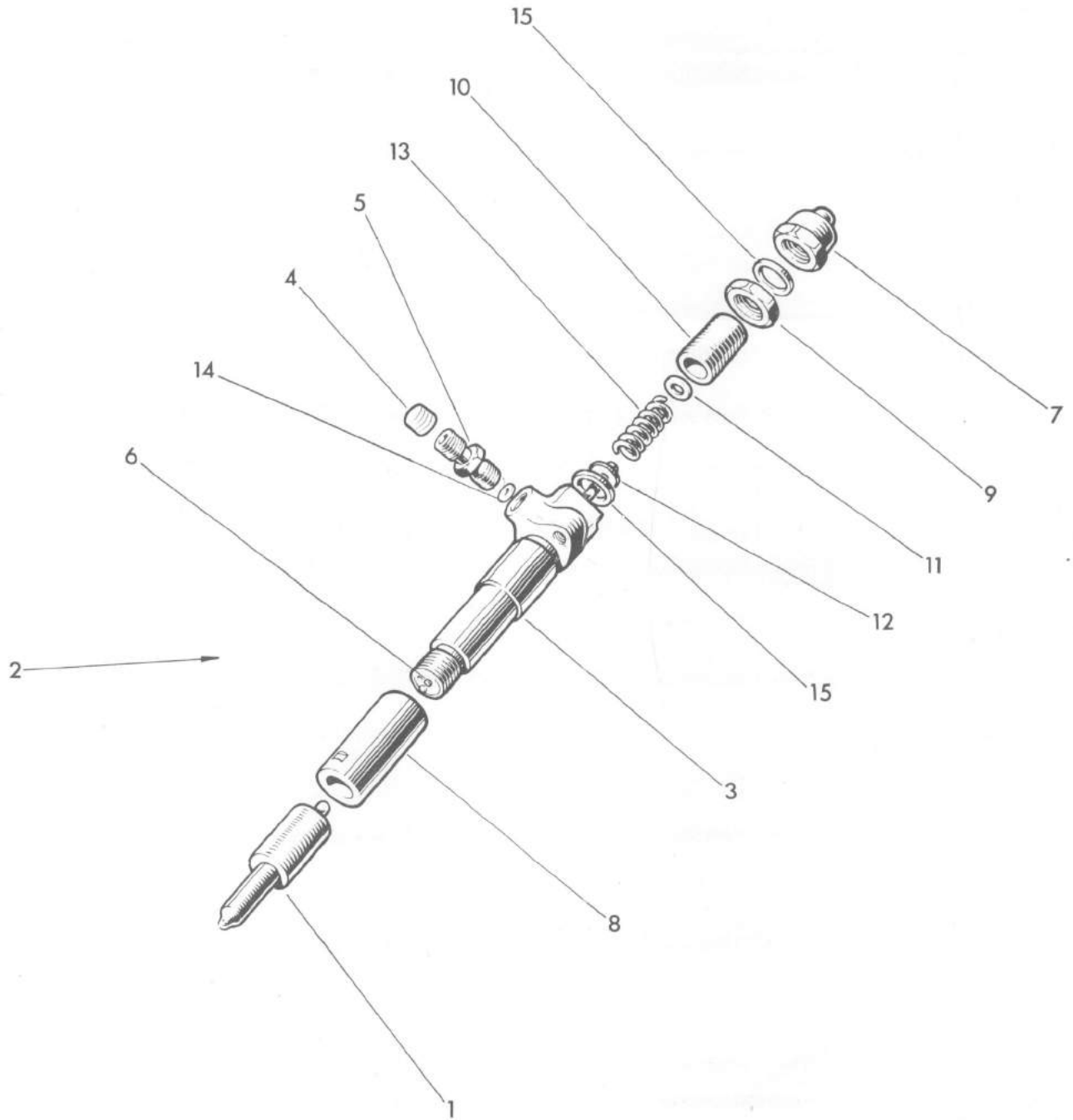


|          |     |      |            |               |   |
|----------|-----|------|------------|---------------|---|
| Compiled | LWH | Date | 4 · 6 · 64 | No. of plates | 1 |
|----------|-----|------|------------|---------------|---|



Group Title

FUEL INJECTORS



|          |     |      |        |               |   |
|----------|-----|------|--------|---------------|---|
| Compiled | DSE | Date | 1.5.64 | No. of plates | 1 |
|----------|-----|------|--------|---------------|---|



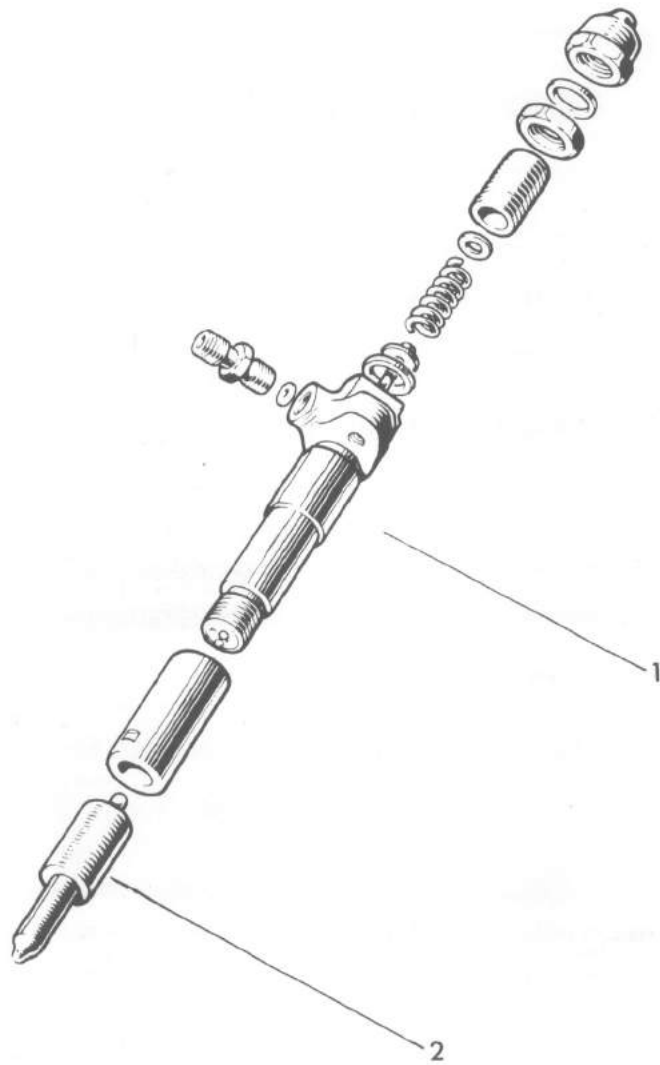
# ROLLS-ROYCE LIMITED 'C' RANGE ENGINES

Group 373/2M  
Page 1 Issue 2

Group Title FUEL INJECTORS

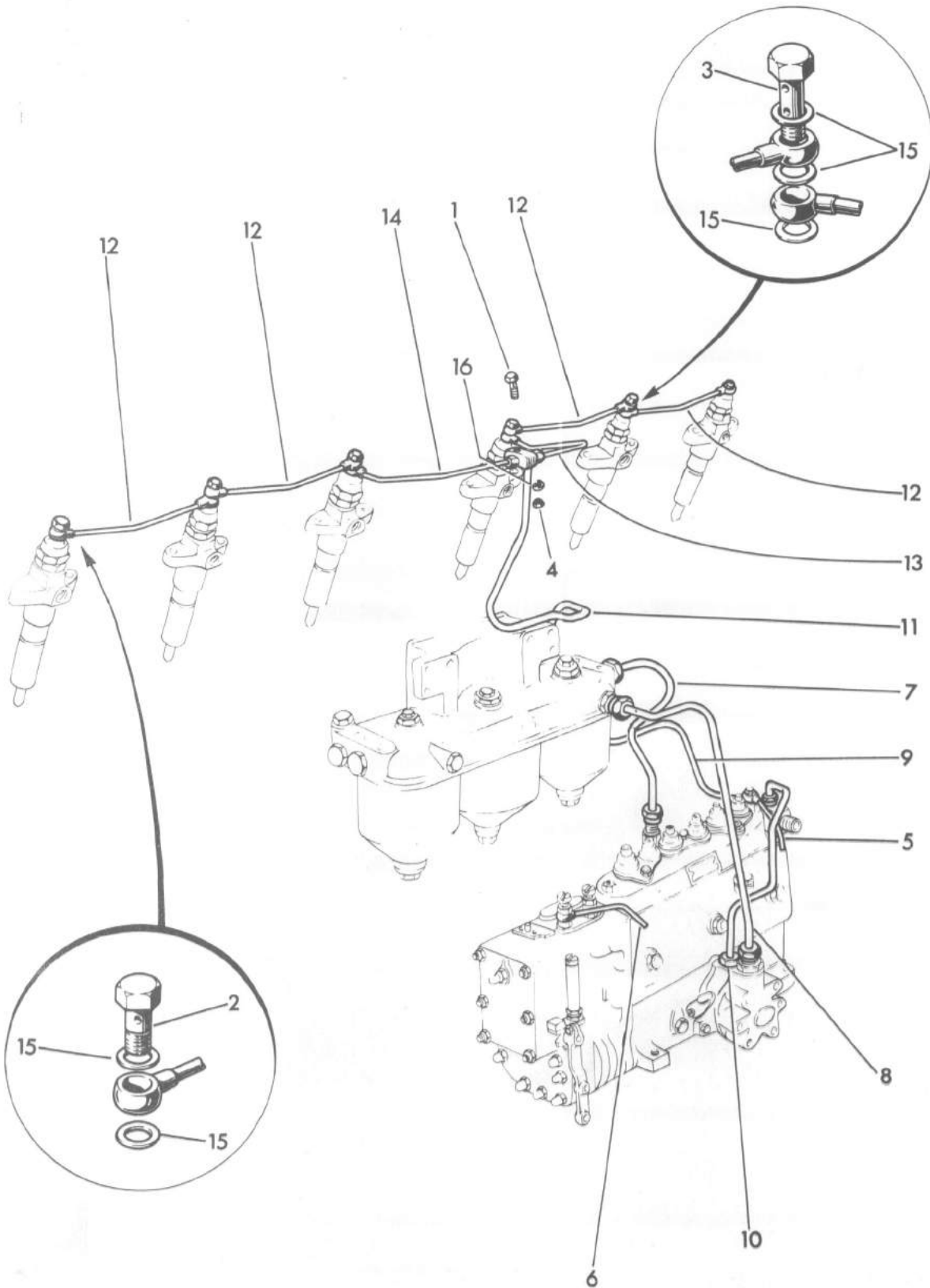
| Alteration O.E.L. No.              | Item No. | Note | Part No. | Description                  |   |   |   |   | No. Off |
|------------------------------------|----------|------|----------|------------------------------|---|---|---|---|---------|
|                                    |          |      |          | 1                            | 2 | 3 | 4 | 5 |         |
|                                    |          |      | OD 4752  | Injector assembly            |   |   |   |   | 6       |
|                                    | 1        |      | OD 3045  | Nozzle body                  |   |   |   |   | 6       |
|                                    | 2        |      | OD 4534  | Nozzle holder assembly       |   |   |   |   | 6       |
| FOR SPARES AND/OR SERVICE USE ONLY |          |      |          |                              |   |   |   |   |         |
|                                    |          |      | OD 4534  | Nozzle holder assembly       |   |   |   |   | 6       |
|                                    | 3        |      | OD 2530  | Body - nozzle holder         |   |   |   |   | 6       |
|                                    | 4        | A    | OD 3521  | Cap                          |   |   |   |   | 6       |
|                                    | 5        |      | OD 2538  | Connection                   |   |   |   |   | 6       |
|                                    | 6        |      | -        | Dowel pin                    |   |   |   |   |         |
|                                    |          | B    | OD 4260  | 2.92 mm . dia. )             |   |   |   |   |         |
|                                    |          | B    | OD 4261  | 2.93 mm. dia. )              |   |   |   |   | as rqd  |
|                                    |          | B    | OD 4262  | 2.94 mm. dia. )              |   |   |   |   |         |
|                                    | 7        |      | OD 2536  | Nut - cap - nozzle holder    |   |   |   |   | 6       |
|                                    | 8        |      | OD 4254  | Nut - cap - nozzle           |   |   |   |   | 6       |
|                                    | 9        |      | OD 2787. | Nut - lock - adjusting screw |   |   |   |   | 6       |
|                                    | 10       |      | OD 2531  | Screw - adjusting            |   |   |   |   | 6       |
|                                    | 11       |      | OD 2539  | Shim - nozzle spring         |   |   |   |   | 6       |
|                                    | 12       |      | OD 2532  | Spindle valve                |   |   |   |   | 6       |
|                                    | 13       |      | OD 2534  | Spring                       |   |   |   |   | 6       |
|                                    | 14       |      | OD 2537  | Washer - joint               |   |   |   |   | 6       |
| 10911                              | 15       |      | OD 2540  | Washer - joint               |   |   |   |   | 12      |

|                                       |  |          |                                  |      |         |              |   |
|---------------------------------------|--|----------|----------------------------------|------|---------|--------------|---|
| Items marked + not supplied as spares |  | Compiled | DWN                              | Date | 14.5.64 | No. of pages | 1 |
| Alteration O.E.L.                     |  |          | Notes                            |      |         |              |   |
|                                       |  |          | A For transportation only        |      |         |              |   |
|                                       |  |          | B Alternatives - select to suit. |      |         |              |   |
| Scheme No.                            |  |          |                                  |      |         |              |   |



|          |    |      |             |               |   |
|----------|----|------|-------------|---------------|---|
| Compiled | IR | Date | 10 · 4 · 64 | No. of plates | 1 |
|----------|----|------|-------------|---------------|---|





|          |     |      |         |               |   |
|----------|-----|------|---------|---------------|---|
| Compiled | DSE | Date | 17.2.64 | No. of plates | 1 |
|----------|-----|------|---------|---------------|---|

# ROLLS-ROYCE LIMITED 'C' RANGE ENGINES

|       |           |
|-------|-----------|
| Group | 374/199M  |
| Page  | 1 Issue 1 |

Group Title FUEL INJECTION PIPES - LOW PRESSURE

| Alteration O.E.L. No. | Item No. | Note | Part No. | Description |          |        |              |                 | No. Off |
|-----------------------|----------|------|----------|-------------|----------|--------|--------------|-----------------|---------|
|                       |          |      |          | 1           | 2        | 3      | 4            | 5               |         |
|                       | 1        |      | UF 1516  | Bolt        | .312     | dia.   | by           | 3.00            | 1       |
|                       | 2        |      | OD 2420  | Bolt        | -        | banjo  | No. 1        | and 6 injectors | 2       |
|                       | 3        |      | OD 2421  | Bolt        | -        | banjo  | Nos. 2, 3, 4 | and 5 injectors | 4       |
|                       | 4        |      | UF 4354  | Nut         | -        | plain  | .312         | dia.            | 1       |
|                       | 5        |      | OD 9822  | Pipe        | assembly | -      | air          | vent            | 1       |
|                       |          |      | OD 2412  | +           | Banjo    |        |              |                 | 1       |
|                       |          |      | OE 2510  | +           | Piece    | number | tab          |                 | 1       |
|                       | 6        |      | OD 9823  | Pipe        | assembly | -      | air          | vent - governor | 1       |
|                       |          |      | OD 2827  | +           | Banjo    |        |              |                 | 1       |
|                       |          |      | OE 2510  | +           | Piece    | number | tab          |                 | 1       |
|                       | 7        |      | OD 11046 | Pipe        | assembly | -      | filters      | to pump         | 1       |
|                       |          |      | OG 2151  | +           | Nipple   |        |              |                 | 2       |
|                       |          |      | OE 719   | +           | Nut      |        |              |                 | 2       |
|                       |          |      | OE 2510  | +           | Piece    | number | tab          |                 | 1       |
|                       | 8        |      | OD 10486 | Pipe        | assembly | -      | lift         | pump to filters | 1       |
|                       |          |      | OG 2151  | +           | Nipple   |        |              |                 | 2       |
|                       |          |      | OE 719   | +           | Nut      |        |              |                 | 2       |
|                       |          |      | OE 2510  | +           | Piece    | number | tab          |                 | 1       |
|                       | 9        |      | OD 8248  | Pipe        | assembly | -      | overflow     |                 | 1       |
|                       |          |      | OG 2151  | +           | Nipple   |        |              |                 | 2       |
|                       |          |      | OE 719   | +           | Nut      |        |              |                 | 2       |
|                       |          |      | OE 2510  | +           | Piece    | number | tab          |                 | 1       |
|                       |          |      | OD 7389  | +           | Tee      | piece  |              |                 | 1       |

Items marked + not supplied as spares

Compiled

GP

Date 8.2.63.

No. of pages

2

Alteration O.E.L.

Notes

Scheme No.

GP



# ROLLS-ROYCE LIMITED 'C' RANGE ENGINES

Group 374/199M

Page 2 Issue 1

Group Title FUEL INJECTION PIPES - LOW PRESSURE

| Alteration O.E.L. No. | Item No. | Note | Part No. | Description                                      |   |   |   |   | No. Off |
|-----------------------|----------|------|----------|--|---|---|---|---|---------|
|                       |          |      |          | 1  | 2 | 3 | 4 | 5 |         |
|                       | 10       |      | OD 10408 | Pipe assembly - scavenge pump to junction        |   |   |   |   | 1       |
|                       |          |      | OE 3550  | + Nipple   |   |   |   |   | 2       |
|                       |          |      | OD 2814  | + Nut  |   |   |   |   | 2       |
|                       |          |      | OE 2510  | + Piece number tab                               |   |   |   |   | 1       |
|                       | 11       |      | OD 10334 | Pipe assembly - spill return to filters          |   |   |   |   | 1       |
|                       |          |      | OD 4134  | + Connection                                     |   |   |   |   | 1       |
|                       |          |      | OG 2151  | + Nipple   |   |   |   |   | 1       |
|                       |          |      | OE 719   | + Nut  |   |   |   |   | 1       |
|                       |          |      | OE 2510  | + Piece number tab                               |   |   |   |   | 1       |
|                       | 12       |      | OD 2392  | Spill pipe assembly                              |   |   |   |   | 4       |
|                       |          |      | OD 4033  | + Banjo  |   |   |   |   | 8       |
|                       |          |      | OD 2390  | + Pipe   |   |   |   |   | 4       |
|                       | 13       |      | OD 3021  | Spill pipe assembly - No. 3 to centre connection |   |   |   |   | 1       |
|                       |          |      | OD 4033  | + Banjo  |   |   |   |   | 1       |
|                       |          |      | OD 2395  | + Nipple   |   |   |   |   | 1       |
|                       |          |      | OD 2394  | + Nut  |   |   |   |   | 1       |
|                       |          |      | OD 3019  | + Pipe   |   |   |   |   | 1       |
|                       | 14       |      | OD 3020  | Spill pipe assembly - No. 4 to centre connection |   |   |   |   | 1       |
|                       |          |      | OD 4033  | + Banjo  |   |   |   |   | 1       |
|                       |          |      | OD 2395  | + Nipple   |   |   |   |   | 1       |
|                       |          |      | OD 2394  | + Nut  |   |   |   |   | 1       |
|                       |          |      | OD 3018  | + Pipe   |   |   |   |   | 1       |
|                       | 15       |      | OD 2422  | Washer - joint                                   |   |   |   |   | 16      |
|                       | 16       |      | ST 16259 | Washer - spring .312 i/d                         |   |   |   |   | 1       |

Items marked + not supplied as spares

Compiled

GP

Date 8.2.63.

No. of pages

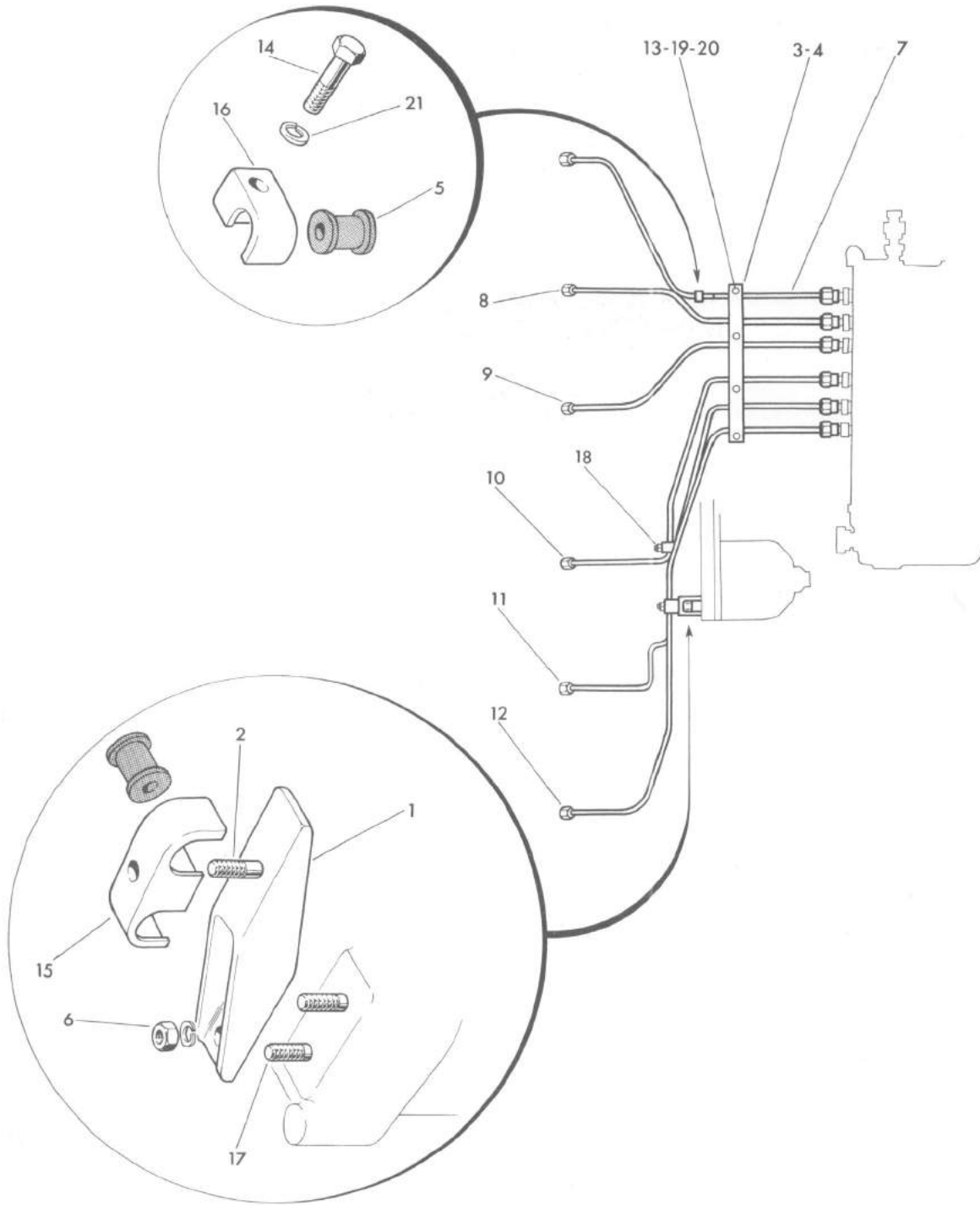
2

Alteration O.E.L.

Notes

Scheme No.

*GP*



|          |    |      |          |               |   |
|----------|----|------|----------|---------------|---|
| Compiled | BH | Date | 19.11.63 | No. of plates | 1 |
|----------|----|------|----------|---------------|---|

# ROLLS-ROYCE LIMITED 'C' RANGE ENGINES

Group 375/53 M

Page 1 Issue 1

Group Title FUEL INJECTION PIPES - HIGH PRESSURE

| Alteration O.E.L. No. | Item No. | Note | Part No. |   |   |   |   |   | Description                             | No. Off |
|-----------------------|----------|------|----------|---|---|---|---|---|---|---------|
|                       |          |      |          | 1 | 2 | 3 | 4 | 5 |   |         |
|                       |          |      | OD 4353  |   |   |   |   |   | Bracket assembly                        | 1       |
|                       | 1        |      | OD 2736  |   |   |   |   |   | + Bracket                               | 1       |
|                       | 2        |      | UF 2703  |   |   |   |   |   | Stud .312 dia. by 1.750                 | 1       |
|                       | 3        | A    | OD 10201 |   |   |   |   |   | Clamp                                   | 1       |
|                       | 4        | A    | OD 10202 |   |   |   |   |   | Clamp                                   | 1       |
|                       |          | B    | OD 10940 |   |   |   |   |   | Clamp                                   | 1       |
|                       |          | B    | OD 10941 |   |   |   |   |   | Clamp                                   | 1       |
|                       | 5        |      | OD 10407 |   |   |   |   |   | Damper                                  | 4       |
|                       | 6        |      | UF 4354  |   |   |   |   |   | Nut - plain .312 dia.                   | 4       |
|                       | 7        | A    | OD 10183 |   |   |   |   |   | Pipe assembly - No.1 cylinder injection | 1       |
|                       |          |      | OD 4034  |   |   |   |   |   | + Nut                                   | 2       |
|                       |          |      | OD 10001 |   |   |   |   |   | + Washer                                | 2       |
|                       |          | B    | OD 10942 |   |   |   |   |   | Pipe assembly - No.1 cylinder injection | 1       |
|                       |          |      | OD 4034  |   |   |   |   |   | + Nut                                   | 2       |
|                       |          |      | OD 10001 |   |   |   |   |   | + Washer                                | 2       |
|                       | 8        |      | OD 10184 |   |   |   |   |   | Pipe assembly - No.2 cylinder injection | 1       |
|                       |          |      | OD 4034  |   |   |   |   |   | + Nut                                   | 2       |
|                       |          |      | OD 10001 |   |   |   |   |   | + Washer                                | 2       |
|                       | 9        |      | OD 9347  |   |   |   |   |   | Pipe assembly - No.3 cylinder injection | 1       |
|                       |          |      | OD 4034  |   |   |   |   |   | + Nut                                   | 2       |
|                       |          |      | OD 10001 |   |   |   |   |   | + Washer                                | 2       |

Items marked + not supplied as spares      Compiled JE      Date 13.9.61.      No. of pages 2

Alteration O.E.L.

Notes

B to replace A in complete sets when stocks of A are exhausted

Scheme No.

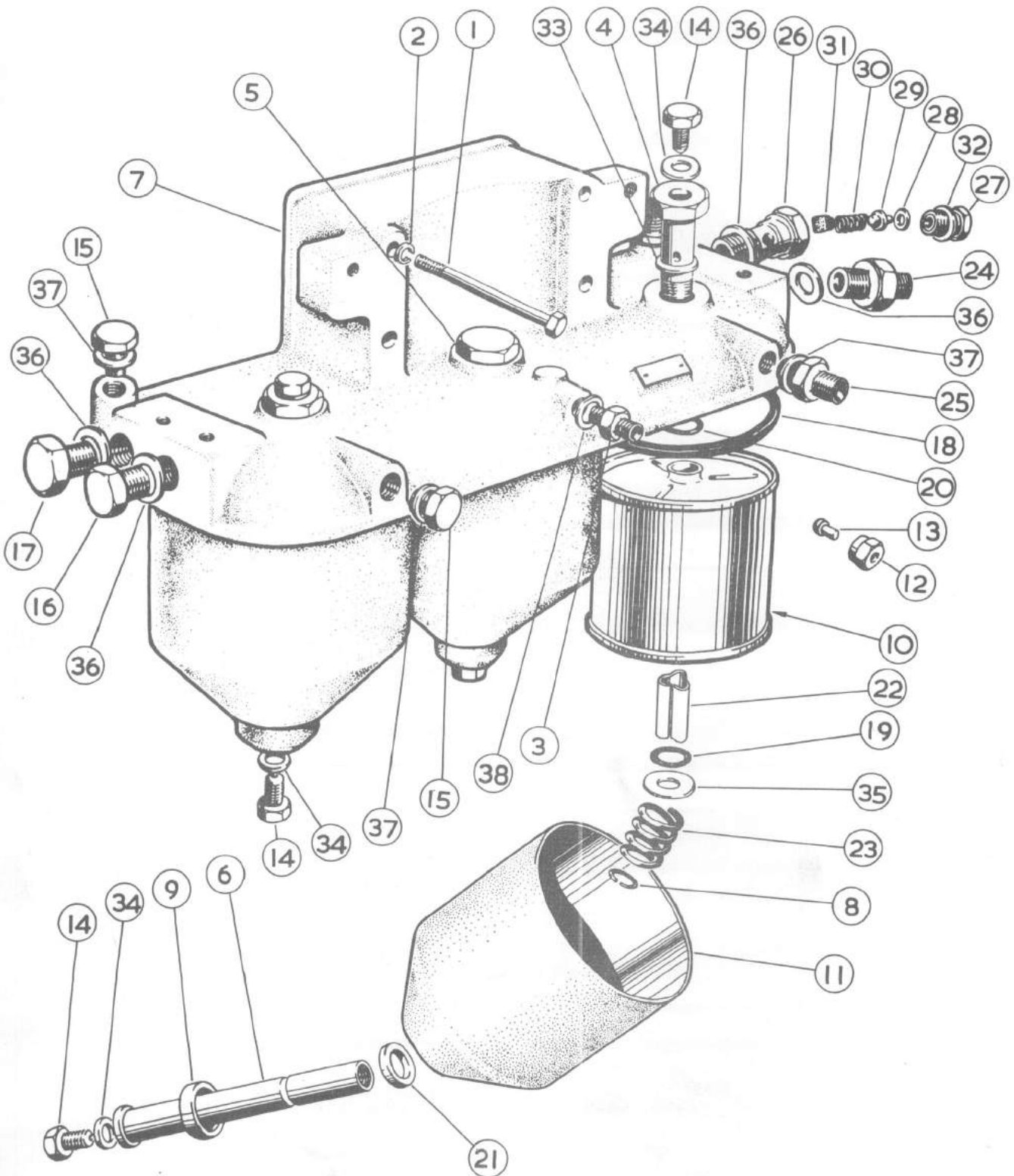
ROLLS-ROYCE LIMITED 'C' RANGE ENGINES

Group 375/53M  
Page 2 Issue 1

Group Title FUEL INJECTION PIPES - HIGH PRESSURE

| Alteration O.E.L. No. | Item No. | Note | Part No. | Description                              |   |   |   |   | No. Off |
|-----------------------|----------|------|----------|--|---|---|---|---|---------|
|                       |          |      |          | 1  | 2 | 3 | 4 | 5 |         |
|                       | 10       |      | OD 10185 | Pipe assembly - No.4 cylinder injection  |   |   |   |   | 1       |
|                       |          |      | OD 4034  | + Nut                                    |   |   |   |   | 2       |
|                       |          |      | OD 10001 | + Washer                                 |   |   |   |   | 2       |
|                       | 11       |      | OD 10186 | Pipe assembly - No. 5 cylinder injection |   |   |   |   | 1       |
|                       |          |      | OD 4034  | + Nut                                    |   |   |   |   | 2       |
|                       |          |      | OD 10001 | + Washer                                 |   |   |   |   | 2       |
|                       | 12       |      | OD 10187 | Pipe assembly - No.6 cylinder injection  |   |   |   |   | 1       |
|                       |          |      | OD 4034  | + Nut                                    |   |   |   |   | 2       |
|                       |          |      | OD 10001 | + Washer                                 |   |   |   |   | 2       |
|                       | 13       |      | K 1937   | Setscrew 2 B.A.                          |   |   |   |   | 4       |
|                       | 14       |      | UF 1506  | Setscrew .312 dia. by 1.250              |   |   |   |   | 1       |
|                       | 15       |      | OD 2426  | Shroud - double                          |   |   |   |   | 1       |
|                       | 16       |      | OD 2735  | Shroud - single                          |   |   |   |   | 2       |
|                       | 17       |      | OD 2733  | Stud .312 dia. by 1.208                  |   |   |   |   | 2       |
|                       | 18       |      | OD 2729  | Stud .312 dia. by 1.653                  |   |   |   |   | 1       |
|                       | 19       |      | K 4404   | Washer - plain 2 B.A.                    |   |   |   |   | 4       |
|                       | 20       |      | K 9006   | Washer - spring 2 B.A.                   |   |   |   |   | 4       |
|                       | 21       |      | K 9009   | Washer - spring .312 i/d                 |   |   |   |   | 5       |

|                                       |  |  |          |       |      |          |              |   |
|---------------------------------------|--|--|----------|-------|------|----------|--------------|---|
| Items marked + not supplied as spares |  |  | Compiled | JE    | Date | 13.9.61. | No. of pages | 2 |
| Alteration O.E.L.                     |  |  |          | Notes |      |          |              |   |
|                                       |  |  |          |       |      |          |              |   |
|                                       |  |  |          |       |      |          |              |   |
|                                       |  |  |          |       |      |          |              |   |
| Scheme No.                            |  |  |          |       |      |          |              |   |



|          |        |      |        |               |   |
|----------|--------|------|--------|---------------|---|
| Compiled | D.S.E. | Date | 3.4.62 | No. of plates | I |
|----------|--------|------|--------|---------------|---|



# ROLLS-ROYCE LIMITED 'C' RANGE ENGINES

Group 380/32M  
Page 1 Issue 3

Group Title FUEL FILTER - ENGINE

| Alteration O.E.L. No.              | Item No. | Note | Part No.  | Description                       |   |   |   |   | No. Off |
|------------------------------------|----------|------|-----------|-----------------------------------|---|---|---|---|---------|
|                                    |          |      |           | 1                                 | 2 | 3 | 4 | 5 |         |
| 9109                               |          |      | OD 9513/2 | Filter assembly - triple - C.A.V. |   |   |   |   | 1       |
| 9109                               |          |      | OD 9513   | Filter                            |   |   |   |   | 1       |
|                                    | 1        |      | UF 1611   | Setscrew .437 dia. by 2.50        |   |   |   |   | 4       |
|                                    | 2        |      | K 9011    | Washer - spring .437 i/d          |   |   |   |   | 4       |
| FOR SPARES AND/OR SERVICE USE ONLY |          |      |           |                                   |   |   |   |   |         |
|                                    |          |      | OD 9513   | Filter - fuel                     |   |   |   |   | 1       |
|                                    | 3        |      | OD 11313  | Adaptor - orifice                 |   |   |   |   | 1       |
|                                    | 4        |      | OD 11334  | Bolt - filter                     |   |   |   |   | 2       |
|                                    | 5        |      | OD 11349  | Bolt - filter centre              |   |   |   |   | 1       |
|                                    | 6        |      | OD 11335  | Bolt - centre                     |   |   |   |   | 3       |
|                                    | 7        |      | OD 11350  | Cover - housing                   |   |   |   |   | 1       |
|                                    | 8        |      | OD 5885   | Circlip                           |   |   |   |   | 3       |
|                                    | 9        |      | OD 11337  | Cup - base                        |   |   |   |   | 3       |
|                                    | 10       |      | OD 2672   | Element assembly                  |   |   |   |   | 3       |
|                                    | 11       |      | OD 11338  | Housing                           |   |   |   |   | 3       |
|                                    | 12       |      | OD 11314  | Nut - pressure gauge connection   |   |   |   |   | 1       |
|                                    | 13       |      | OD 4417   | Nipple - blanking                 |   |   |   |   | 1       |
|                                    | 14       |      | OD 11339  | Plug - vent and drain             |   |   |   |   | 5       |
|                                    | 15       |      | OD 11312  | Plug - closing                    |   |   |   |   | 3       |
|                                    | 16       |      | OD 11310  | Plug - outlet closing             |   |   |   |   | 1       |

|                                       |  |  |          |       |      |          |              |   |
|---------------------------------------|--|--|----------|-------|------|----------|--------------|---|
| Items marked + not supplied as spares |  |  | Compiled | JE    | Date | 18.6.64. | No. of pages | 2 |
| Alteration O.E.L.                     |  |  |          | Notes |      |          |              |   |
| 8514                                  |  |  |          |       |      |          |              |   |
| 9109                                  |  |  |          |       |      |          |              |   |
|                                       |  |  |          |       |      |          |              |   |
| Scheme No.                            |  |  |          |       |      |          |              |   |

# ROLLS-ROYCE LIMITED 'C' RANGE ENGINES

Group 380/32M

Page 2 Issue 4

Group Title

FUEL FILTER - ENGINE

| Alteration<br>O.E.L.<br>No. | Item<br>No. | Note | Part No. | Description                                |   |   |   |                               | No.<br>Off |
|-----------------------------|-------------|------|----------|--|---|---|---|-------------------------------|------------|
|                             |             |      |          | 1  | 2 | 3 | 4 | 5                             |            |
|                             |             |      |          | FOR SPARES AND/OR SERVICE USE ONLY (contd) |   |   |   |                               |            |
|                             | 17          |      | OD 11318 |  |   |   |   | Plug - inlet closing          | 1          |
| 9724                        | 18          | B    | OD 2657  |  |   |   |   | Ring - sealing cover          | 3          |
|                             | 19          |      | OD 11341 |  |   |   |   | Ring - sealing - lower        | 3          |
|                             | 20          | B    | OD 2899  |  |   |   |   | Ring - sealing - upper        | 3          |
|                             | 21          |      | OD 11342 |  |   |   |   | Ring - sealing - base cup     | 3          |
|                             | 22          |      | OD 11343 |  |   |   |   | Sleeve - locating             | 3          |
|                             | 23          |      | OD 11344 |  |   |   |   | Spring                        | 3          |
|                             | 24          |      | OD 11315 |  |   |   |   | Union - pipe outlet           | 1          |
|                             | 25          |      | OD 11316 |  |   |   |   | Union - pipe inlet            | 3          |
|                             |             |      | OD 11317 |  |   |   |   | Valve - relief assembly       | 1          |
|                             | 26          |      | OD 11311 |  |   |   |   | Body                          | 1          |
|                             | 27          |      | OD 11345 |  |   |   |   | Screw                         | 1          |
|                             | 28          |      | OD 2666  |  |   |   |   | Shim                          | as<br>reqd |
|                             | 29          |      | OD 2667  |  |   |   |   | Seating - spring              | 1          |
|                             | 30          |      | OD 10863 |  |   |   |   | Spring                        | 1          |
|                             | 31          |      | OD 5809  |  |   |   |   | Valve - relief                | 1          |
|                             | 32          |      | OD 5240  |  |   |   |   | Washer - joint                | 1          |
|                             | 33          |      | OD 11351 |  |   |   |   | Washer                        | 3          |
|                             | 34          |      | OD 11347 |  |   |   |   | Washer - vent and drain plugs | 5          |
|                             | 35          |      | OD 11348 |  |   |   |   | Washer                        | 3          |
|                             | 36          |      | OD 2809  |  |   |   |   | Washer                        | 4          |
|                             | 37          |      | OD 2810  |  |   |   |   | Washer                        | 6          |
|                             | 38          |      | OD 2811  |  |   |   |   | Washer                        | 1          |

Items marked + not supplied as spares

Compiled

JE

Date

21.9.64.

No. of pages

2

Alteration O.E.L.

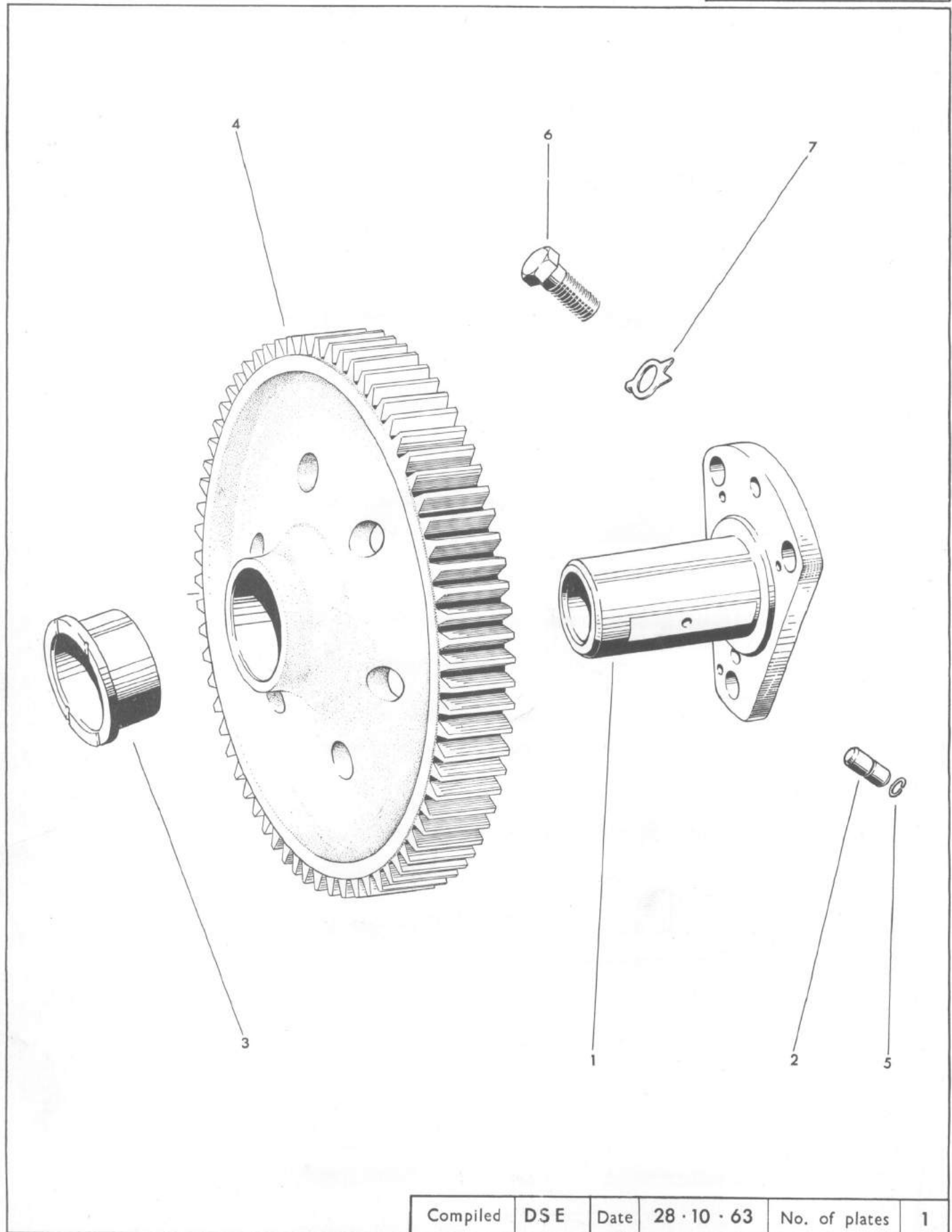
Notes

8514

9109

B This ring is also supplied with the element.

Scheme No.



|          |     |      |              |               |   |
|----------|-----|------|--------------|---------------|---|
| Compiled | DSE | Date | 28 · 10 · 63 | No. of plates | 1 |
|----------|-----|------|--------------|---------------|---|





# ROLLS-ROYCE LIMITED 'C' RANGE ENGINES

Group 440/659M

Page 1 Issue 1

Group Title INSTALLATION LOOSE ITEMS

| Alteration O.E.L No.                  | Item No. | Note | Part No.  |          |    |      |         |              | Description  | No. Off |
|---------------------------------------|----------|------|-----------|----------|----|------|---------|--------------|--|---------|
|                                       |          |      |           | 1        | 2  | 3    | 4       | 5            |  |         |
|                                       |          |      |           |          |    |      |         |              | SECTION 1  |         |
|                                       |          |      |           |          |    |      |         |              | COMPONENTS ADDITIONAL TO THOSE COVERED IN OTHER GROUPS |         |
|                                       |          |      | GROUP 190 |          |    |      |         |              |  |         |
|                                       |          |      | OE 2416   |          |    |      |         |              | Union - cab heater                                     | 1       |
|                                       |          |      | KB 1089   |          |    |      |         |              | Washer - joint .812 i/d                                | 1       |
|                                       |          |      | GROUP 191 |          |    |      |         |              |  |         |
|                                       |          |      | OE 2283   |          |    |      |         |              | Clip - hose connections                                | 4       |
|                                       |          |      | KB 6364   |          |    |      |         |              | Hose 2.00 i/d  | 2       |
|                                       |          |      | GROUP 374 |          |    |      |         |              |  |         |
|                                       |          |      | OG 2151   |          |    |      |         |              | Nipple - fuel feed and return                          | 2       |
|                                       |          |      | OE 719    |          |    |      |         |              | Nut - fuel feed and return                             | 2       |
|                                       |          |      | GROUP 470 |          |    |      |         |              |  |         |
|                                       |          |      | OE 12174  |          |    |      |         |              | Gasket - oil filter bowl                               | 3       |
|                                       |          |      | GROUP 521 |          |    |      |         |              |  |         |
|                                       |          |      | OE 2283   |          |    |      |         |              | Clip - hose  | 4       |
|                                       |          |      | KB 6364   |          |    |      |         |              | Hose 2.00 i/d  | 2       |
|                                       |          |      |           |          |    |      |         |              |  |         |
|                                       |          |      |           |          |    |      |         |              |  |         |
| Items marked + not supplied as spares |          |      |           | Compiled | GP | Date | 8.2.63. | No. of pages | 4  |         |
| Alteration O.E.L.                     |          |      |           | Notes    |    |      |         |              |  |         |
|                                       |          |      |           |          |    |      |         |              |  |         |
|                                       |          |      |           |          |    |      |         |              |  |         |
| Scheme No.                            |          |      |           |          |    |      |         |              |  |         |

21



# ROLLS-ROYCE LIMITED 'C' RANGE ENGINES

Group 440/659 M

Page 2 Issue 2

Group Title INSTALLATION LOOSE ITEMS

| Alteration<br>O.E.L.<br>No.           | Item<br>No. | Note | Part No.        |   |              |           |           |              | Description | No.<br>Off |
|---------------------------------------|-------------|------|-----------------|---|--------------|-----------|-----------|--------------|-------------|------------|
|                                       |             |      |                 | 1   | 2            | 3         | 4         | 5            |             |            |
| SECTION 1 (contd)                     |             |      |                 |   |              |           |           |              |             |            |
|                                       |             |      | GROUP 641       |   |              |           |           |              |             |            |
| 10631                                 |             | B    | OD 2395         | Nipple  | -            | converter | pressure  | connection   | 1           |            |
| 10631                                 |             | C    | ST 16678        | Nipple  | -            | converter | pressure  | connection   | 1           |            |
| 10631                                 |             | B    | OD 2394         | Nut   | --           | converter | pressure  | connection   | 1           |            |
|                                       |             | C    | ST 16652        | Nut   | --           | converter | pressure  | connection   | 1           |            |
|                                       |             |      | GROUP -         |   |              |           |           |              |             |            |
|                                       |             |      | TSD 802         | Operators   | handbook     | -         | engine    |              | 1           |            |
|                                       |             |      | TSD 786         | Operators   | instructions | -         | converter |              | 1           |            |
|                                       |             |      | TSD 803         | Workshop  | manual       | --        | engine    |              | 1           |            |
|                                       |             |      | TSD 770         | Workshop  | manual       | -         | converter |              | 1           |            |
|                                       |             |      |                 | Spare   | parts        | book      | -         | engine       | 1           |            |
|                                       |             |      |                 | Torque  | converter    | parts     | list      | T.A.S. 1145  | 1           |            |
|                                       |             |      | UF 9063         | Nameplate   |              |           |           |              | 2           |            |
|                                       |             |      | UA 7922/E       | Screw   |              |           |           |              | 8           |            |
| SECTION 2                             |             |      |                 |   |              |           |           |              |             |            |
| COMPONENTS COVERED IN OTHER GROUPS    |             |      |                 |   |              |           |           |              |             |            |
|                                       |             |      | GROUP 20 and 22 |   |              |           |           |              |             |            |
|                                       |             |      |                 | All   | components   | complete  |           |              |             |            |
|                                       |             |      | GROUP 100       |   |              |           |           |              |             |            |
|                                       |             | A    | OF 989          | Breather  | filter       |           |           |              | 1           |            |
|                                       |             | A    | OF 3362         | Clip  |              |           |           |              | 1           |            |
| Items marked + not supplied as spares |             |      |                 | Compiled  | GP           | Date      | 19.2.64   | No. of pages | 4           |            |
| Alteration O.E.L.                     |             |      |                 | Notes   |              |           |           |              |             |            |
| 10631                                 |             |      |                 | A Remove from engine after test if this type of breather is fitted. |              |           |           |              |             |            |
|                                       |             |      |                 | B to be supplied when OF 27743 Pipe is fitted.                      |              |           |           |              |             |            |
|                                       |             |      |                 | C to be supplied when OF 32984 Pipe is fitted.                      |              |           |           |              |             |            |
| Scheme No.                            |             |      |                 |   |              |           |           |              |             |            |

# ROLLS-ROYCE LIMITED 'C' RANGE ENGINES

Group 440/659M  
Page 3 Issue 1

Group Title INSTALLATION LOOSE ITEMS

| Alteration<br>O.E.L<br>No.            | Item<br>No. | Note | Part No.  |                                       |    |      |          |              | Description   | No.<br>Off |
|---------------------------------------|-------------|------|-----------|---------------------------------------|----|------|----------|--------------|---|------------|
|                                       |             |      |           | 1                                     | 2  | 3    | 4        | 5            |   |            |
|                                       |             |      |           |                                       |    |      |          |              | SECTION 2 (continued)   |            |
|                                       |             |      | GROUP 281 |                                       |    |      |          |              | All components complete   |            |
|                                       |             |      | GROUP 290 |                                       |    |      |          |              | All components complete   |            |
|                                       |             |      | GROUP 450 |                                       |    |      |          |              | Complete to group but omitting the following items<br>which are fitted to the engine :- |            |
|                                       |             |      | OE 2576   |                                       |    |      |          |              | Union   | 1          |
|                                       |             |      | KB 1080   |                                       |    |      |          |              | Washer - joint  | 1          |
|                                       |             | B    | GROUP 520 |                                       |    |      |          |              | All components complete   |            |
|                                       |             | B    | GROUP 521 |                                       |    |      |          |              | All components complete   |            |
|                                       |             | B    | GROUP 523 |                                       |    |      |          |              | All components complete   |            |
| Items marked + not supplied as spares |             |      |           | Compiled                              | GP | Date | 21.9.64. | No. of pages | 4   |            |
| Alteration O.E.L.                     |             |      |           | Notes                                 |    |      |          |              |   |            |
|                                       |             |      |           | B Assemble together prior to despatch |    |      |          |              |   |            |
| Scheme No.                            |             |      |           |                                       |    |      |          |              |   |            |

# ROLLS-ROYCE LIMITED 'C' RANGE ENGINES

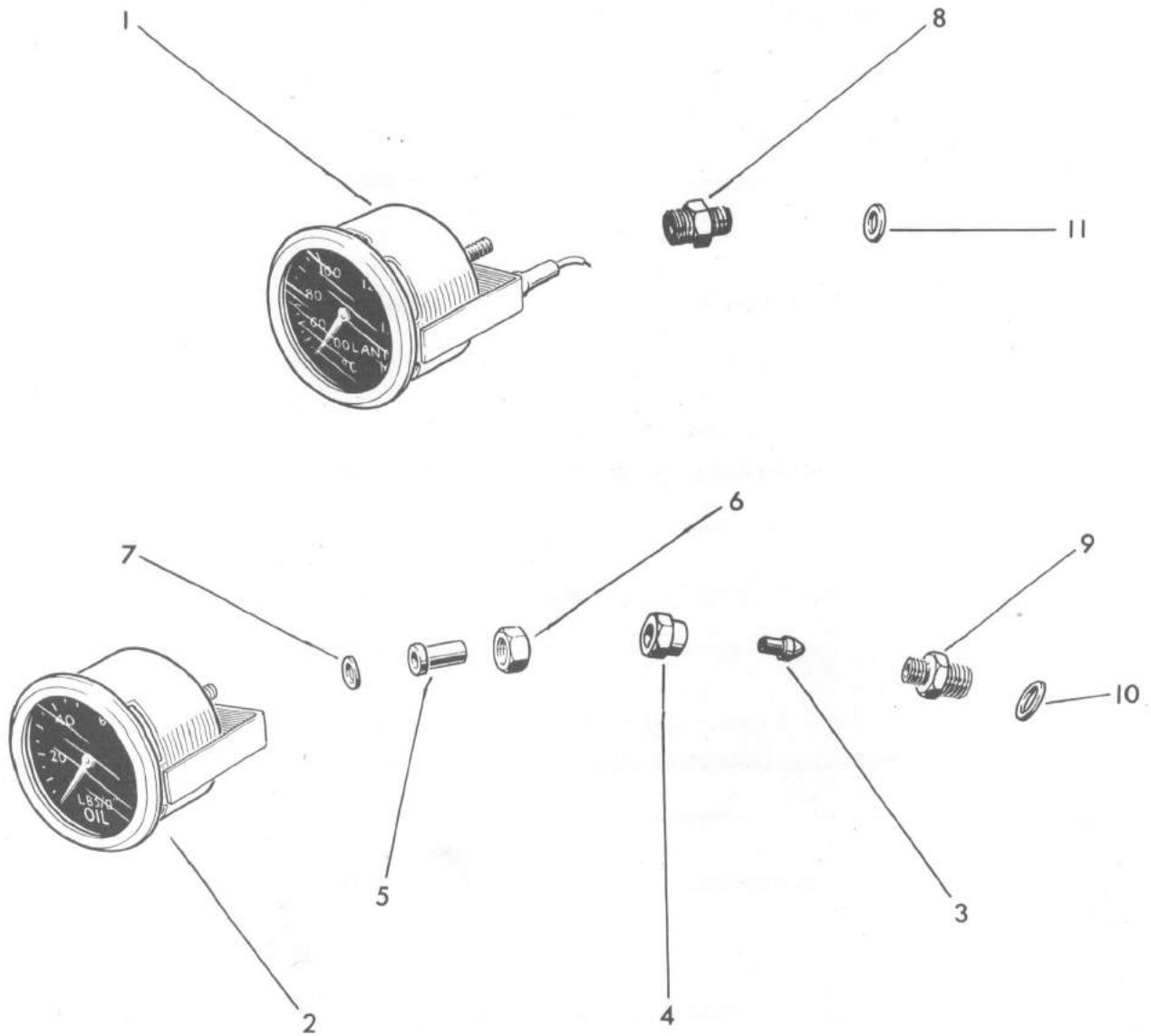
Group 440/659M

Page 4 Issue 3

Group Title

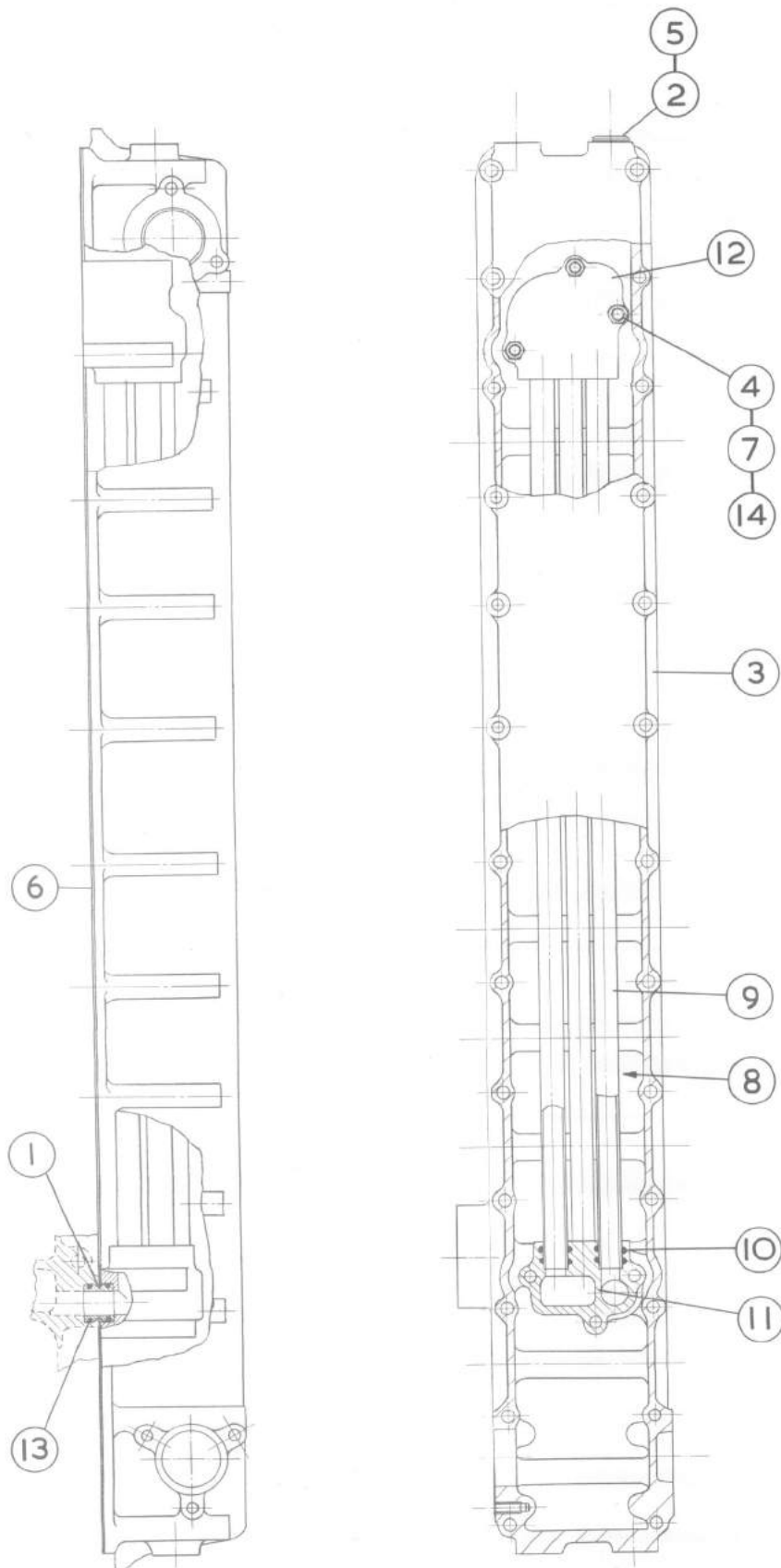
INSTALLATION LOOSE ITEMS

| Alteration<br>O.E.L.<br>No.           | Item<br>No. | Note | Part No.   |          |    |      |          |              | Description   | No.<br>Off |
|---------------------------------------|-------------|------|------------|----------|----|------|----------|--------------|---|------------|
|                                       |             |      |            | 1        | 2  | 3    | 4        | 5            |   |            |
|                                       |             |      |            |          |    |      |          |              | SECTION 2 (continued)   |            |
|                                       |             |      | GROUP 571  |          |    |      |          |              |   |            |
|                                       |             |      | OD 2799    |          |    |      |          |              | Shroud - terminals  | 2          |
|                                       |             |      | OD 2798    |          |    |      |          |              | Socket - cable  | 2          |
|                                       |             |      | GROUP 600  |          |    |      |          |              |   |            |
| 11188                                 |             |      | OD12497/1  |          |    |      |          |              | Tachometer head (0 to 2500 R. P. M.)  | 1          |
|                                       |             |      | GROUP 620  |          |    |      |          |              |   |            |
|                                       |             |      |            |          |    |      |          |              | All components complete   |            |
|                                       |             |      | GROUP 638  |          |    |      |          |              |   |            |
|                                       |             |      |            |          |    |      |          |              | All components complete   |            |
|                                       |             |      | GROUP 640  |          |    |      |          |              |   |            |
|                                       |             |      |            |          |    |      |          |              | Complete to group but omitting the following item<br>which is incorporated in the engine build: |            |
| 10864                                 |             |      | OD 12129/3 |          |    |      |          |              | Drayton switch  | 1          |
| 10864                                 |             |      | OE 33092   |          |    |      |          |              | Flexible mounting assembly  | 1          |
| 10864                                 |             |      | KB 1084    |          |    |      |          |              | Washer - joint 1.00 i/d   | 1          |
|                                       |             |      | GROUP 641  |          |    |      |          |              |   |            |
|                                       |             |      | LC 1744    |          |    |      |          |              | Nipple - charge pump  | 1          |
|                                       |             |      | LC 1743    |          |    |      |          |              | Nut - charge pump   | 1          |
|                                       |             |      |            |          |    |      |          |              |   |            |
|                                       |             |      |            |          |    |      |          |              |   |            |
| Items marked + not supplied as spares |             |      |            | Compiled | GP | Date | 13.8.64. | No. of pages | 4   |            |
| Alteration O.E.L.                     |             |      |            | Notes    |    |      |          |              |   |            |
|                                       |             |      |            |          |    |      |          |              |   |            |
|                                       |             |      |            |          |    |      |          |              |   |            |
| Scheme No.                            |             |      |            |          |    |      |          |              |   |            |



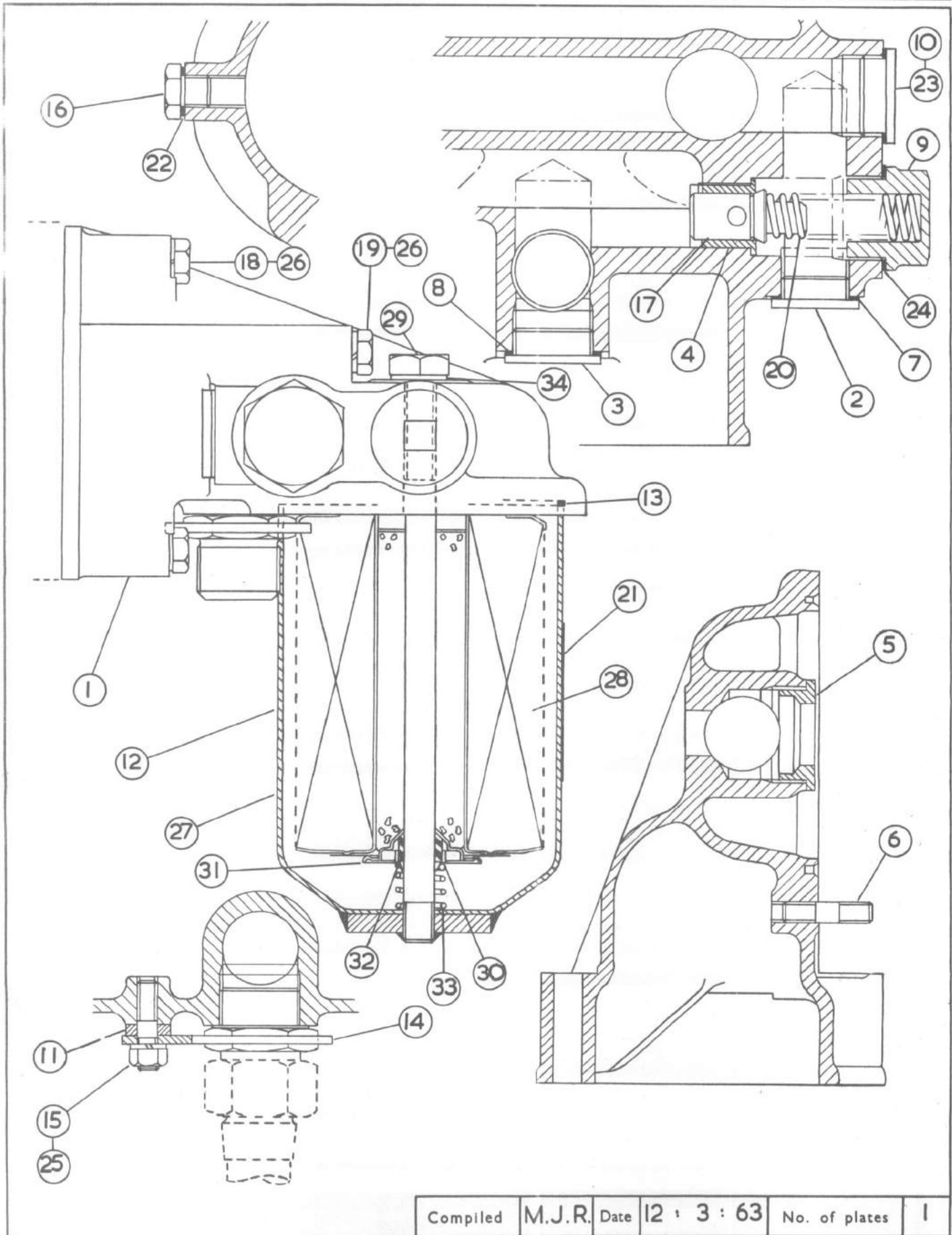












|          |        |      |             |               |   |
|----------|--------|------|-------------|---------------|---|
| Compiled | M.J.R. | Date | 12 : 3 : 63 | No. of plates | 1 |
|----------|--------|------|-------------|---------------|---|

# ROLLS-ROYCE LIMITED 'C' RANGE ENGINES

Group 470/19M

Page 1 Issue 5

Group Title

OIL FILTERS

| Alteration<br>O.E.L.<br>No.           | Item<br>No. | Note | Part No.  | Description   |          |          |          |              | No.<br>Off |
|---------------------------------------|-------------|------|-----------|---|----------|----------|----------|--------------|------------|
|                                       |             |      |           | 1   | 2        | 3        | 4        | 5            |            |
| 9782                                  |             |      | OE13515/1 | Bracket   | assembly | -        | filter   | head         | 1          |
|                                       | 1           |      | OE 13515  | +   | Bracket  |          |          |              | 1          |
| 9782                                  | 2           |      | UF 5407   |   | Core     | plug     | 1.062    | dia.         | 1          |
| 9782                                  | 3           |      | UF 5410   |   | Core     | plug     | 1.250    | dia.         | 2          |
|                                       | 4           |      | OE 12682  | +   | Insert   |          |          |              | 3          |
|                                       | 5           |      | OE 3147   | +   | Seating  | -        | bypass   | valve        | 1          |
|                                       | 6           |      | UF 2700   |   | Stud     | .312     | dia.     | by 1.375     | 2          |
|                                       | 7           |      | OE 523    |   | Washer   | -        | joint    | 1.062 i/d    | 1          |
|                                       | 8           |      | KB 1095   |   | Washer   | -        | joint    | 1.250 i/d    | 2          |
|                                       | 9           |      | OE 13492  |   | Cap      | -        | bypass   | valve        | 1          |
| 9782                                  | 10          | A    | UF 5410   |   | Core     | plug     |          |              | 1          |
|                                       | 11          |      | OE 13785  |   | Distance | piece    |          |              | 2          |
| 10333                                 | 12          |      | OE 31704  |   | Filter   | assembly |          |              | 3          |
|                                       | 13          |      | OE 12174  |   | Gasket   |          |          |              | 3          |
|                                       | 14          |      | OE 13784  |   | Locking  | plate    |          |              | 2          |
|                                       | 15          |      | UF 4354   |   | Nut      | -        | plain    | .312 dia.    | 2          |
|                                       | 16          | B    | OE 2504   |   | Plug     |          |          |              | 1          |
|                                       | 17          |      | OE 12681  |   | Plinger  | -        | bypass   | valve        | 1          |
|                                       | 18          |      | UF 1611   |   | Setcrew  | .437     | dia.     | by 2.50      | 4          |
|                                       |             |      |           |   |          |          |          |              |            |
|                                       |             |      |           |   |          |          |          |              |            |
|                                       |             |      |           |   |          |          |          |              |            |
|                                       |             |      |           |   |          |          |          |              |            |
|                                       |             |      |           |   |          |          |          |              |            |
| Items marked + not supplied as spares |             |      |           | Compiled  | SS       | Date     | 12.8.64. | No. of pages | 3          |
| Alteration O.E.L.                     |             |      |           | Notes   |          |          |          |              |            |
| 6828                                  |             |      |           | A Quantities may vary if certain optional equipment is fitted |          |          |          |              |            |
| 11175                                 |             |      |           | B Not required if oil feed is fitted here.                    |          |          |          |              |            |
| Scheme No.                            |             |      |           |   |          |          |          |              |            |

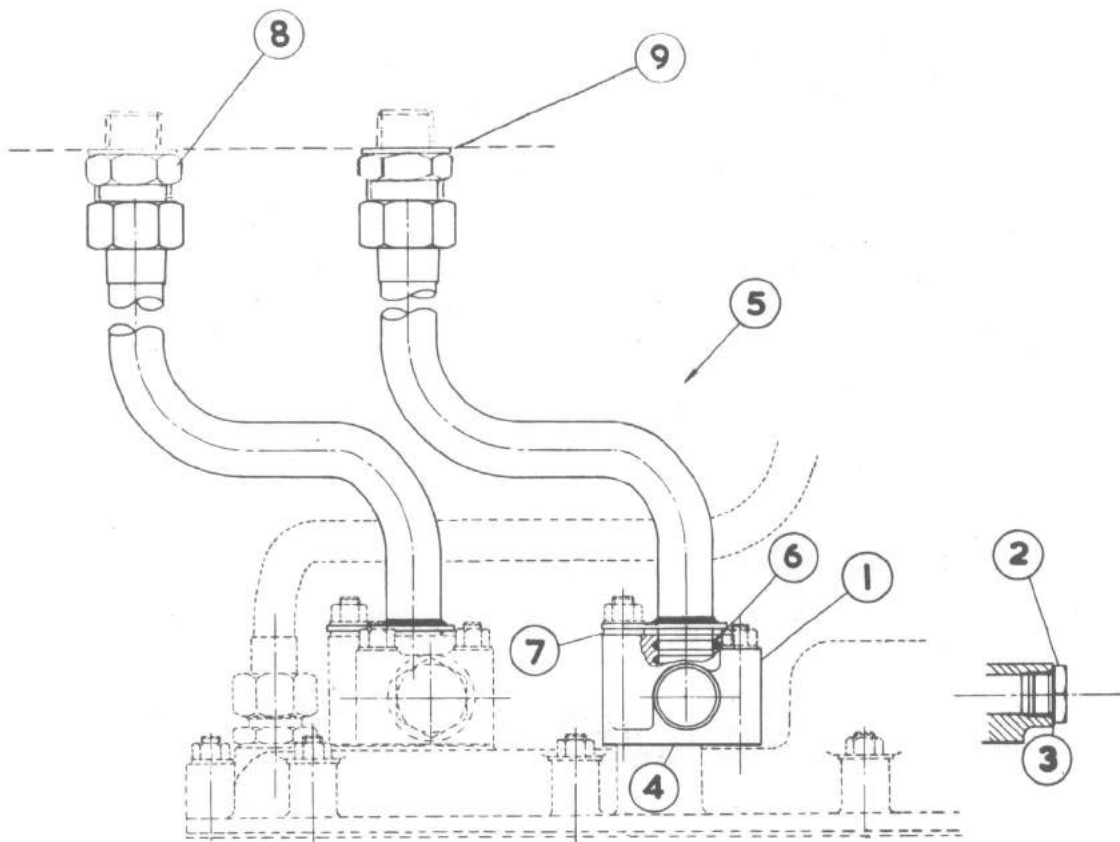






Group Title

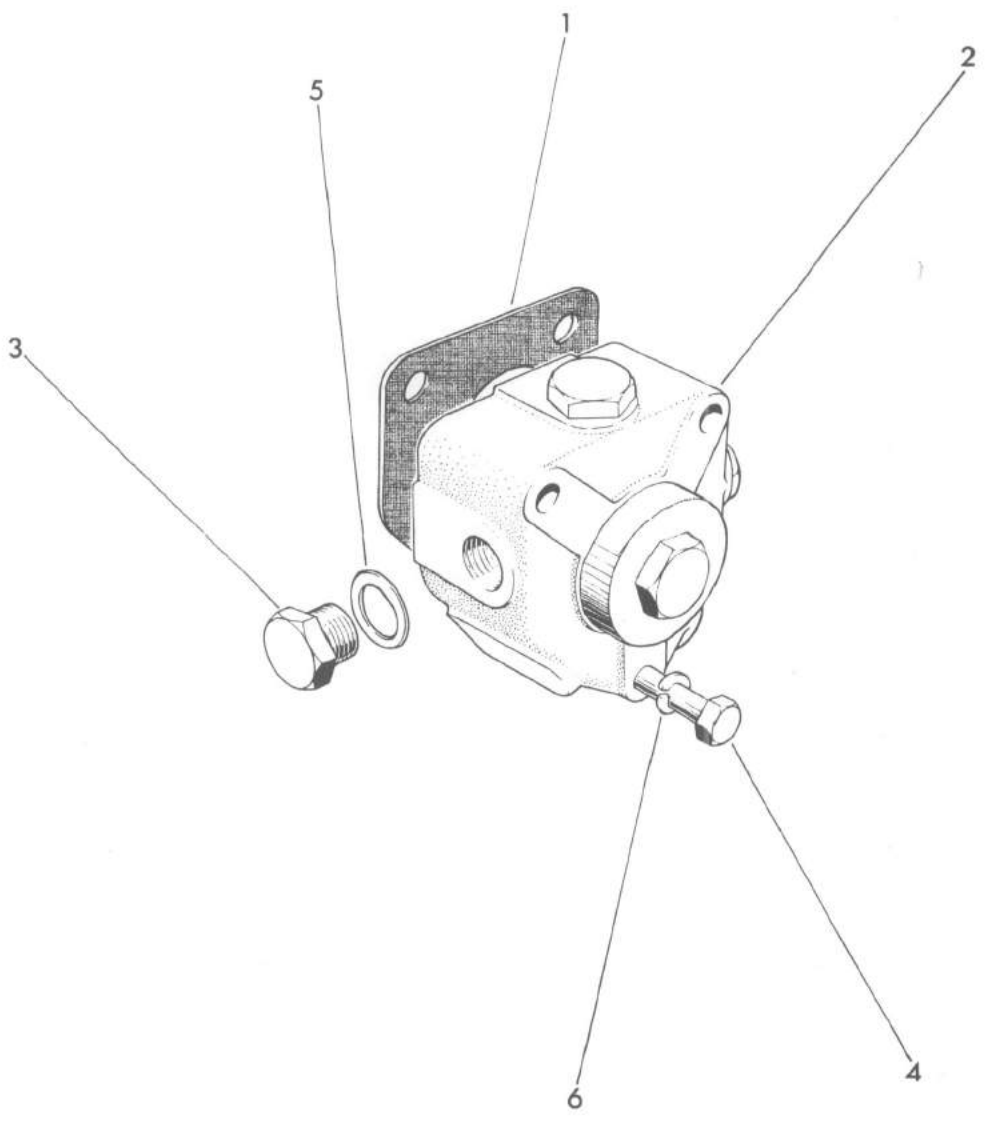
OIL FILER PIPES





Group Title

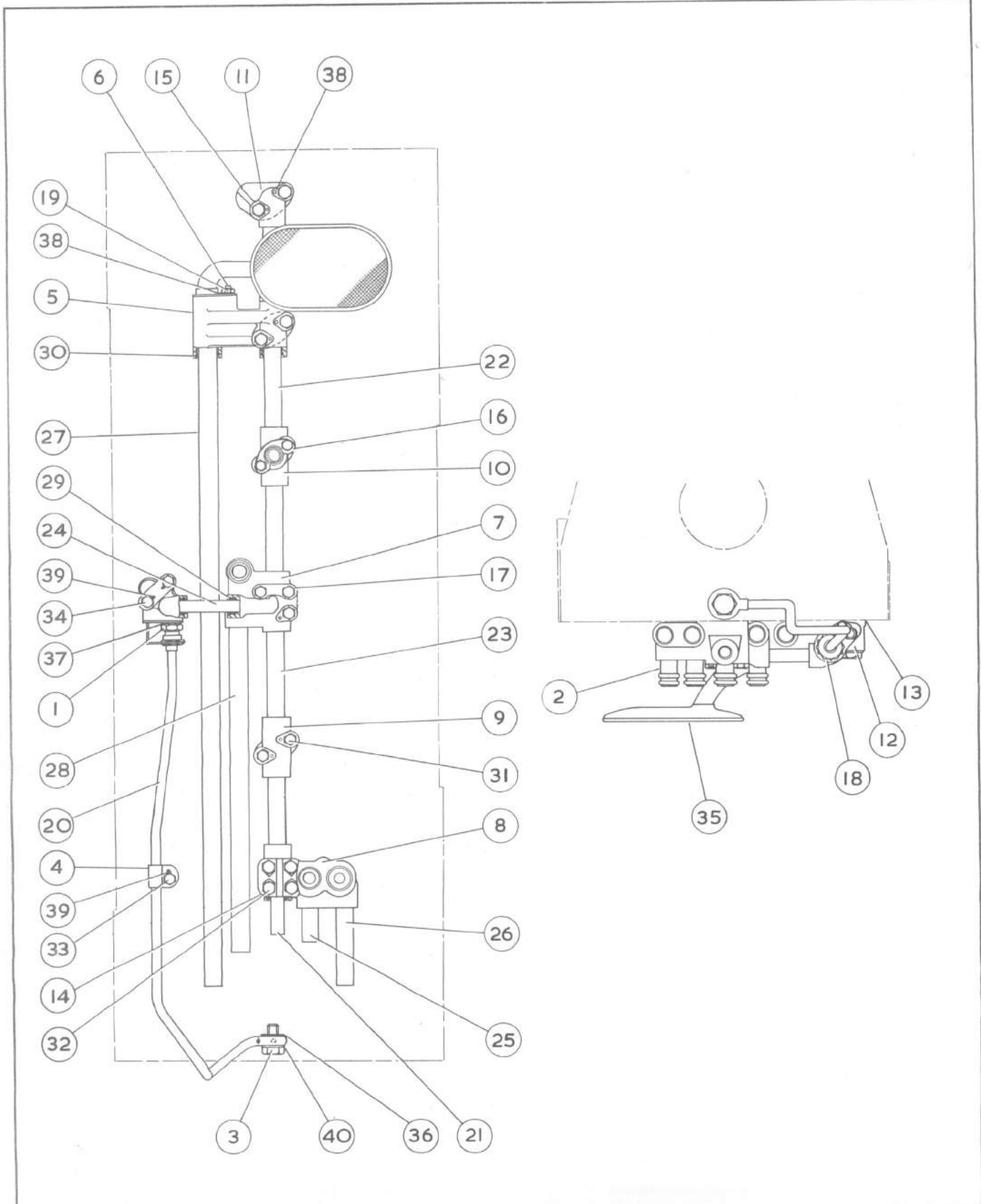
OIL DISTRIBUTOR







Group Title OIL GALLERY



|          |          |      |         |               |   |
|----------|----------|------|---------|---------------|---|
| Compiled | G. F. C. | Date | 18.3.63 | No. of plates | 1 |
|----------|----------|------|---------|---------------|---|

# ROLLS-ROYCE LIMITED 'C' RANGE ENGINES

Group 474/1 M

Group Title

OIL GALLERY

Page 1 Issue 1

| Alteration<br>O.E.L.<br>No. | Item<br>No. | Note | Part No. |   |   |   |   |   | Description                                  | No.<br>Off |
|-----------------------------|-------------|------|----------|---|---|---|---|---|--|------------|
|                             |             |      |          | 1 | 2 | 3 | 4 | 5 |  |            |
|                             | 1           |      | OE 2562  |   |   |   |   |   | Adaptor - oil feed to front bearing          | 1          |
|                             | 2           |      | OE 15057 |   |   |   |   |   | Bobbin                                       | 4          |
|                             | 3           |      | OE 3944  |   |   |   |   |   | Bolt - banjo                                 |            |
|                             |             |      |          |   |   |   |   |   | oil feed to front bearing                    | 1          |
|                             | 4           |      | OE 2317  |   |   |   |   |   | Clip - oil feed pipe                         | 1          |
|                             |             |      | OE 17022 |   |   |   |   |   | Connection assembly - oil gallery            |            |
|                             |             |      |          |   |   |   |   |   | No. 6 bearing                                | 1          |
|                             | 5           |      | OE 15176 |   |   |   |   |   | + Connection                                 | 1          |
|                             | 6           |      | UF 3300  |   |   |   |   |   | Stud .312 dia. by 1.00                       | 1          |
|                             | 7           |      | OE 15175 |   |   |   |   |   | Connection - oil gallery - centre connection | 1          |
|                             | 8           |      | OE 15059 |   |   |   |   |   | Connection - oil gallery - No. 2 bearing     | 1          |
|                             | 9           |      | OE 15173 |   |   |   |   |   | Connection - oil gallery - No. 3 bearing     | 1          |
|                             | 10          |      | OE 15172 |   |   |   |   |   | Connection - oil gallery - No. 5 bearing     | 1          |
|                             | 11          |      | OE 16409 |   |   |   |   |   | Connection - oil gallery - rear bearing      | 1          |
|                             | 12          |      | OE 17021 |   |   |   |   |   | Elbow assembly                               | 1          |
|                             |             |      | OE 15918 |   |   |   |   |   | + Elbow                                      | 1          |
|                             |             |      | UF 3300  |   |   |   |   |   | Stud .312 dia. by 1.00                       | 1          |
|                             | 13          |      | OE 2318  |   |   |   |   |   | Joint - elbow                                | 1          |
|                             | 14          |      | OE 1863  |   |   |   |   |   | Joint - connections                          | 2          |
|                             |             |      | OE 1864  |   |   |   |   |   | Joint - connections                          | 3          |
|                             | 15          |      | OE 16411 |   |   |   |   |   | Joint - rear connection                      | 1          |

Items marked † not supplied as spares

Compiled

DWN

Date

23.10.59.

No. of pages

4

Alteration O.E.L.

Notes

Scheme No.

# ROLLS-ROYCE LIMITED 'C' RANGE ENGINES

|       |           |
|-------|-----------|
| Group | 474/1M    |
| Page  | 2 Issue 3 |

Group Title OIL GALLERY

| Alteration O.E.L. No. | Item No. | Note | Part No. |                    |   |                          |   |   | Description                         | No. Off |
|-----------------------|----------|------|----------|--------------------|---|--------------------------|---|---|-------------------------------------|---------|
|                       |          |      |          | 1                  | 2 | 3                        | 4 | 5 |                                     |         |
|                       | 16       |      | OE 4784  | Lockplate          | - | bobbin                   |   |   |                                     |         |
| 9993                  |          |      |          |                    |   |                          |   |   | No 5 bearing gallery connection     | 1       |
|                       | 17       |      | OE 4783  | Lockplate          | - | bobbin                   |   |   |                                     |         |
| 9993                  |          |      |          |                    |   |                          |   |   | centre bearing gallery connection   | 1       |
|                       | 18       |      | OE 2494  | Lockplate          | - | elbow                    |   |   |                                     | 1       |
|                       | 19       |      | UF 4354  | Nut                | - | plain .312 dia.          |   |   |                                     | 2       |
|                       | 20       |      | OE 2937  | Pipe assembly      | - | gallery to front bearing |   |   |                                     | 1       |
|                       |          |      | OE 2936  | + Banjo            |   |                          |   |   |                                     | 1       |
| 10619                 |          |      | OG 2151  | + Nipple           |   |                          |   |   |                                     | 1       |
|                       |          |      | OE 2563  | + Nut              |   |                          |   |   |                                     | 1       |
|                       |          |      | OE 2510  | + Piece number tab |   |                          |   |   |                                     | 1       |
|                       |          |      | OE 1870  | + Pipe             |   |                          |   |   |                                     | 1       |
|                       | 21       |      | OE 15061 | Pipe               | - | main oil feed            |   |   |                                     | 1       |
|                       | 22       |      | OE 741   | Pipe               |   |                          |   |   |                                     |         |
|                       |          |      |          |                    |   |                          |   |   | oil feed to Nos. 2,5 and 6 bearings | 3       |
|                       | 23       |      | OE 1865  | Pipe               |   |                          |   |   |                                     |         |
|                       |          |      |          |                    |   |                          |   |   | oil feed to Nos 3 and 4 bearings    | 2       |
|                       | 24       |      | OE 1866  | Pipe               | - | oil feed to camshaft     |   |   |                                     | 1       |
|                       | 25       |      | OE 1336  | Pipe               | - | oil pump to gallery      |   |   |                                     | 1       |
|                       | 26       |      | OE 1338  | Pipe               | - | oil pump to reservoir    |   |   |                                     | 1       |
|                       | 27       |      | OE 732   | Pipe               | - | rear of sump to pump     |   |   |                                     | 1       |
|                       | 28       |      | OE 735   | Pipe               | - | reservoir to pump        |   |   |                                     | 1       |

Items marked + not supplied as spares

Compiled

DWN

Date

7.2.64

No. of pages

4

Alteration O.E.L.

Notes

Scheme No.

90X

# ROLLS-ROYCE LIMITED 'C' RANGE ENGINES

Group 474/1M  
Page 3 Issue 2

Group Title OIL GALLERY

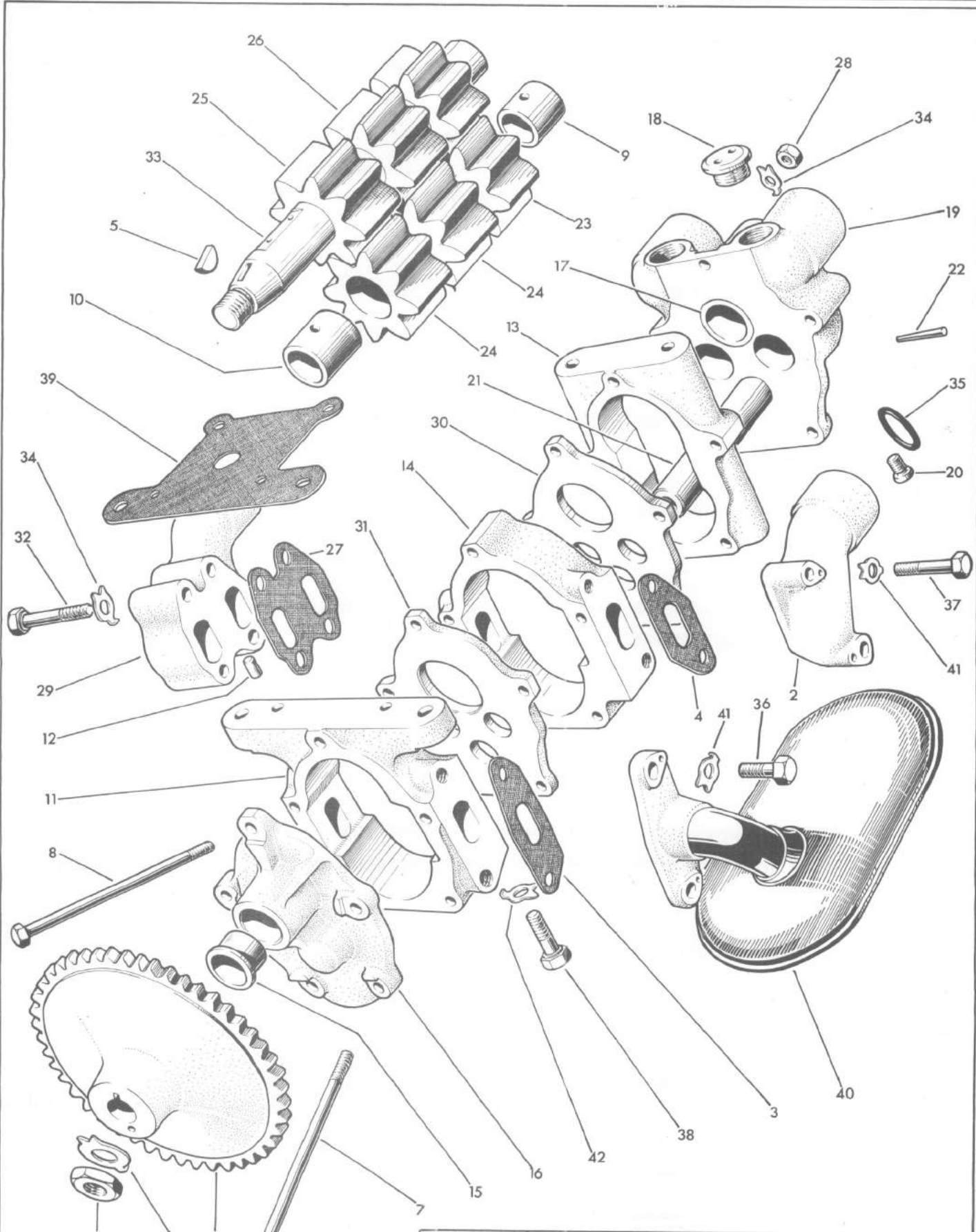
| Alteration O.E.L. No. | Item No. | Note | Part No. |   |   |   |   |   | Description                            | No. Off |
|-----------------------|----------|------|----------|---|---|---|---|---|--|---------|
|                       |          |      |          | 1 | 2 | 3 | 4 | 5 |  |         |
|                       | 29       |      | KB 16604 |   |   |   |   |   | Sealing ring .512 i/d                  | 6       |
|                       | 30       |      | KB 16609 |   |   |   |   |   | Sealing ring .875 i/d                  | 35      |
|                       | 31       |      | UF 1513  |   |   |   |   |   | Setscrew .312 dia. by 2.250            |         |
|                       |          |      |          |   |   |   |   |   | oil gallery connection                 | 11      |
|                       | 32       |      | UF 1515  |   |   |   |   |   | Setscrew .312 dia. by 2.750            |         |
|                       |          |      |          |   |   |   |   |   | oil gallery connection - No.2. bearing | 4       |
|                       | 33       |      | UF 1552  |   |   |   |   |   | Setscrew .375 dia. by .750             |         |
|                       |          |      |          |   |   |   |   |   | pipe clip                              | 1       |
|                       | 34       |      | UF 1563  |   |   |   |   |   | Setscrew .375 dia. by 2.250            |         |
|                       |          |      |          |   |   |   |   |   | elbow connection                       | 2       |
| 10078                 | 35       | A    | OE 3967  |   |   |   |   |   | Suction intake assembly                | 1       |
|                       |          |      | OE 361   |   |   |   |   |   | + Gauze                                | 1       |
|                       |          |      | OE 3068  |   |   |   |   |   | + Intake body assembly                 | 1       |
|                       |          |      | OE 3069  |   |   |   |   |   | + Body                                 | 1       |
|                       |          |      | OE 2712  |   |   |   |   |   | + Lockplate                            | 1       |
|                       |          |      | OE 3070  |   |   |   |   |   | + Rivet                                | 2       |
|                       |          |      | OE 2510  |   |   |   |   |   | + Piece number tab                     | 1       |
|                       |          |      | OE 362   |   |   |   |   |   | + Stop plate                           | 1       |

|                                       |  |  |  |  |     |      |          |              |   |
|---------------------------------------|--|--|--|--|-----|------|----------|--------------|---|
| Items marked + not supplied as spares |  |  |  | Compiled   | DWN | Date | 21.9.64. | No. of pages | 4 |
| Alteration O.E.L.                     |  |  |  | Notes  |     |      |          |              |   |
|                                       |  |  |  | B To replace A in complete sets when stocks of B are available |     |      |          |              |   |
|                                       |  |  |  |  |     |      |          |              |   |
| Scheme No.                            |  |  |  |  |     |      |          |              |   |





Group Title OIL PUMP



|          |     |      |             |               |   |
|----------|-----|------|-------------|---------------|---|
| Compiled | DSE | Date | 5 · 11 · 63 | No. of plates | 1 |
|----------|-----|------|-------------|---------------|---|

# ROLLS-ROYCE LIMITED 'C' RANGE ENGINES

Group 475/21M

Page 1 Issue 5

Group Title OIL PUMP

| Alteration<br>O.E.L<br>No.            | Item<br>No. | Note | Part No. | Description  |          |            |                   |              | No.<br>Off |
|---------------------------------------|-------------|------|----------|--|----------|------------|-------------------|--------------|------------|
|                                       |             |      |          | 1  | 2        | 3          | 4                 | 5            |            |
| 7589                                  |             | B    | OE 18424 | Gear   | -        | oil        | pump              | drive        | 1          |
|                                       | 1           | C    | OE 18082 | Gear   | -        | oil        | pump              | drive        | 1          |
| 8316                                  |             | D    | OE 28079 | Gear   | -        | oil        | pump              | drive        | 1          |
|                                       | 2           |      | OE 15921 | Inlet  | pipe     | -          | scavenge          |              | 1          |
|                                       | 3           |      | OE 4363  | Joint  | -        | inlet      | pipe              |              | 1          |
|                                       | 4           |      | OE 4364  | Joint  | -        | suction    | intake            |              | 1          |
|                                       | 5           |      | -        | key  | -        | "Woodruff" |                   |              | 1          |
|                                       |             | A    | KC 505   |  |          |            | .125 wide         | )            |            |
|                                       |             | A    | KC 506   |  |          |            | .1255wide         | )            |            |
|                                       |             | A    | KC 507   |  |          |            | .126 wide         | )            |            |
|                                       |             | A    | KC 508   |  |          |            | .1265 wide        | )            |            |
|                                       | 6           |      | OE 5498  | Locknut  | .625     | dia.       |                   |              | 1          |
|                                       |             |      | OE 23684 | Oil  | pump     | assembly   |                   |              | 1          |
|                                       | 7           |      | UF 1526  | Bolt   | .312     | dia.       | by 5.50           |              | 3          |
|                                       | 8           |      | UF 2120  | Bolt   | -        | fitting    | .312 dia. by 4.50 |              | 2          |
|                                       | 9           |      | OE 10121 | Bush   | -        | pressure   | pump gear         |              | 1          |
|                                       | 10          |      | OE 10122 | Bush   | -        | scavenge   | pump gear         |              | 2          |
|                                       |             |      | OE 15056 | Casing   | assembly |            |                   |              | 1          |
|                                       | 11          |      | OE 15055 | + Casing   |          |            |                   |              | 1          |
|                                       | 12          |      | OE 15060 | Dowel  |          |            |                   |              | 2          |
|                                       | 13          |      | OE 2763  | Casing   | -        | pressure   | pump              |              | 1          |
|                                       | 14          |      | OE 2267  | Casing   | -        | rear       | scavenge pump     |              | 1          |
|                                       |             |      | OE 2766  | Cover  | assembly | -          | front             |              | 1          |
| 7334                                  | 15          |      | OE 1282  | Bush   |          |            |                   |              | 2          |
| Items marked + not supplied as spares |             |      |          | Compiled   | PS       | Date       | 16.10.63          | No. of pages | 4          |
| Alteration O.E.L.                     |             |      |          | Notes  |          |            |                   |              |            |
| 9779                                  |             |      |          | A Select 1 off to suit                                     |          |            |                   |              |            |
|                                       |             |      |          | D To replace B and C when stocks of B and C are exhausted. |          |            |                   |              |            |
| Scheme No. OL. 1770                   |             |      |          |  |          |            |                   |              |            |

ROLLS-ROYCE LIMITED 'C' RANGE ENGINES

Group 475/21M  
Page 2 Issue 5

Group Title OIL PUMP

| Alteration O.E.L. No. | Item No. | Note | Part No. | Description |   |   |                                |   | No. Off |
|-----------------------|----------|------|----------|-------------|---|---|--------------------------------|---|---------|
|                       |          |      |          | 1           | 2 | 3 | 4                              | 5 |         |
|                       | 16       |      | OE 2765  |             | + |   | Cover                          |   | 1       |
|                       |          | E    | OE 15053 |             |   |   | Cover assembly - rear          |   | 1       |
|                       |          | F    | OE 30405 |             |   |   | Cover assembly - rear          |   | 1       |
| 7334                  | 17       |      | OE 1279  |             |   |   | Bush                           |   | 1       |
|                       | 18       |      | UF 5004  |             |   |   | Core plug .875 dia.            |   | 2       |
|                       | 19       |      | OE 15054 |             | + |   | Cover                          |   | 1       |
|                       | 20       |      | OE 2263  |             | + |   | Plug                           |   | 1       |
|                       | 21       | E    | OE 2069  |             | + |   | Shaft                          |   | 1       |
|                       |          | F    | OE 30400 |             | + |   | Shaft                          |   | 1       |
|                       | 22       |      | KB 3873  |             | + |   | Taper pin 1.250 long           |   | 1       |
|                       | 23       |      | OE 2070  |             |   |   | Gear - driven - pressure pump  |   | 1       |
|                       | 24       |      | OE 2071  |             |   |   | Gear - driven - scavenge pump  |   | 2       |
|                       | 25       |      | OE 20195 |             |   |   | Gear - driving - pressure pump |   | 1       |
|                       | 26       |      | OE 20196 |             |   |   | Gear - driving - scavenge pump |   | 1       |
|                       | 27       |      | OE 1830  |             |   |   | Joint - outlet pipe            |   | 1       |
|                       | 28       |      | UF 4354  |             |   |   | Nut - plain .312 dia.          |   | 5       |
|                       | 29       |      | OE 15058 |             |   |   | Outlet pipe                    |   | 1       |
|                       | 30       |      | OE 2764  |             |   |   | Plate - dividing               |   | 1       |
|                       | 31       |      | OE 20197 |             |   |   | Plate - dividing front         |   | 1       |
|                       | 32       |      | UF 1512  |             |   |   | Setscrew .312 dia. by 2.00     |   | 4       |
|                       | 33       |      | OE 20198 |             |   |   | Shaft                          |   | 1       |
|                       | 34       |      | KU 10007 |             |   |   | Washer - tab .312 i/d          |   | 9       |
|                       | 35       |      | KB 16609 |             |   |   | Sealing ring                   |   | 2       |
|                       |          |      | KB 16604 |             |   |   | Sealing ring                   |   | 2       |

|                                       |          |    |  |         |              |   |
|---------------------------------------|----------|----|--|---------|--------------|---|
| Items marked + not supplied as spares | Compiled | PS | Date   | 8.11.63 | No. of pages | 4 |
| Alteration O.E.L.                     |          |    | Notes  |         |              |   |
| 8316                                  |          |    | F to replace E in complete sets when stocks of |         |              |   |
| 10093                                 |          |    | E are exhausted                                |         |              |   |
| 10416                                 |          |    |  |         |              |   |
| Scheme No.                            |          |    |  |         |              |   |



# ROLLS-ROYCE LIMITED 'C' RANGE ENGINES

Group 475/21M  
Page 3 Issue 5

Group Title OIL PUMP

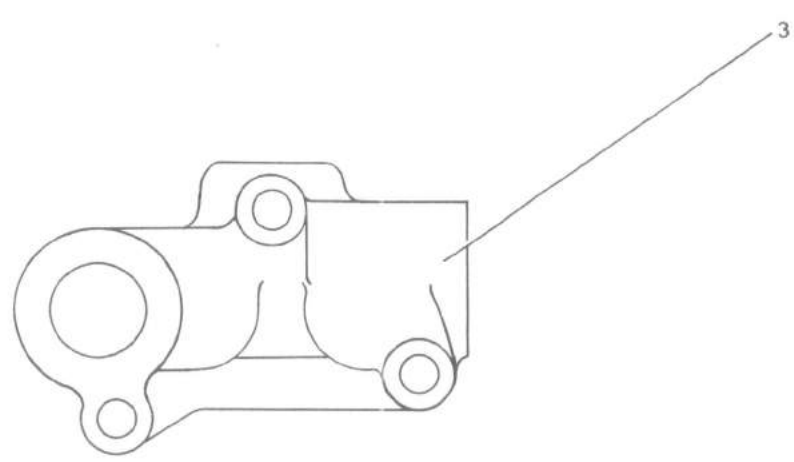
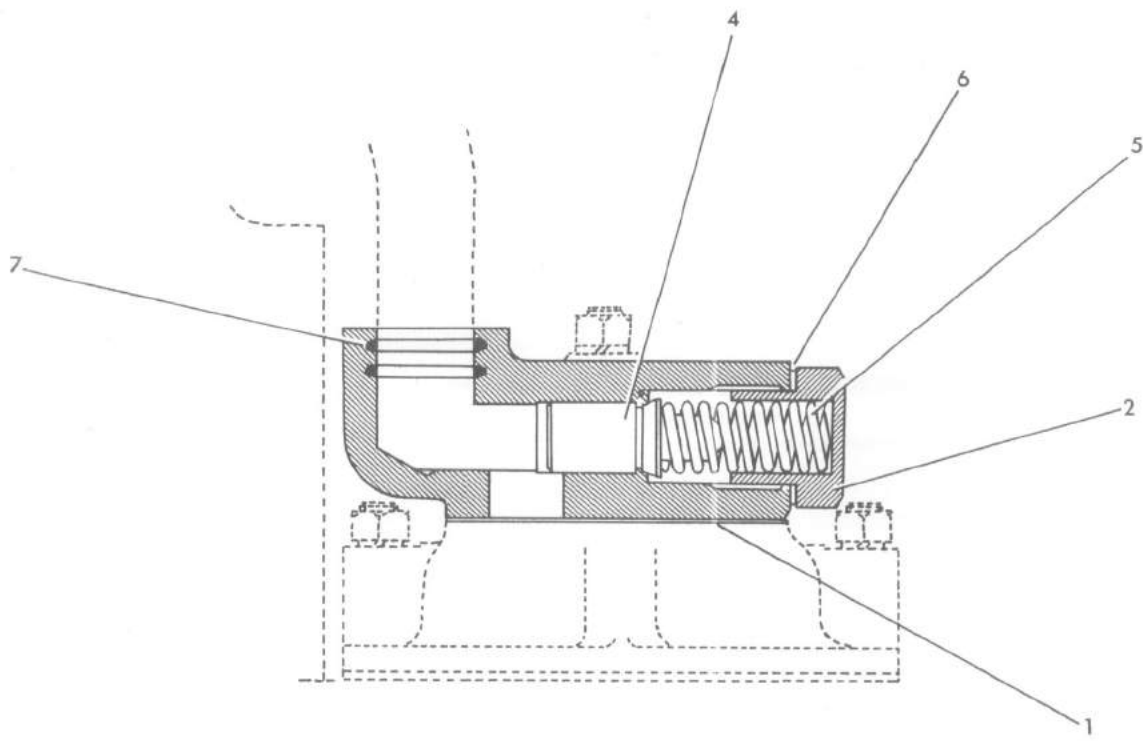
| Alteration O.E.L No. | Item No. | Note | Part No. | Description                |           |          |                     |   | No. Off |
|----------------------|----------|------|----------|----------------------------|-----------|----------|---------------------|---|---------|
|                      |          |      |          | 1                          | 2         | 3        | 4                   | 5 |         |
|                      | 36       |      | UF 1504  | Setscrew                   | .312 dia. | by 1.00  | Securing intake     |   | 2       |
|                      | 37       |      | UF 1512  | Setscrew                   | .312 dia. | by 2.00  |                     |   |         |
|                      |          |      |          |                            |           |          | securing inlet pipe |   | 2       |
|                      | 38       |      | UF 1556  | Setscrew                   | .375 dia. | by 1.250 |                     |   |         |
|                      |          |      |          |                            |           |          | mounting oil pump   |   | 2       |
|                      |          |      | UF 1575  | Setscrew                   | .375 dia. | by 5.250 |                     |   |         |
|                      |          |      |          |                            |           |          | mounting oil pump   |   | 2       |
|                      | 39       | A    | OE 16832 | Shim                       | .012      | thick    |                     |   | as      |
|                      |          | A    | OE 16833 | Shim                       | .008      | thick    |                     |   | reqd.   |
| 10078                | 40       | G    | OE 4360  | Suction intake assembly    |           |          |                     |   | 1       |
|                      |          |      | OE 361   | + Gauge                    |           |          |                     |   | 1       |
|                      |          |      | OE 4361  | + Inlet                    |           |          |                     |   | 1       |
|                      |          |      | OE 3072  | + Intake body assembly     |           |          |                     |   | 1       |
|                      |          |      | OE 3069  | + Body                     |           |          |                     |   | 1       |
|                      |          |      | OE 3073  | + Pipe                     |           |          |                     |   | 1       |
|                      |          |      | KB 2404  | + Rivet .093 dia. by .1875 |           |          |                     |   | 2       |
|                      |          |      | OE 2510  | + Piece number tab         |           |          |                     |   | 1       |
|                      |          |      | OE 362   | + Stop plate               |           |          |                     |   | 1       |
|                      |          |      | K 4877   | + Taper pin .250 long      |           |          |                     |   | 1       |
| 10078                |          | H    | OE 29912 | Suction intake assembly    |           |          |                     |   | 1       |
|                      |          |      | OE 3069  | + Body                     |           |          |                     |   | 1       |
|                      |          |      | OE 4361  | + Inlet                    |           |          |                     |   | 1       |
|                      |          |      | OE 3073  | + Pipe                     |           |          |                     |   | 1       |
|                      |          |      | OE 2510  | + Piece number tab         |           |          |                     |   | 1       |

Items marked + not supplied as spares      Compiled PS      Date 8 11 63      No. of pages 4

| Alteration O.E.L. | Notes   |
|-------------------|---|
| Mod 163           | A Use as required   |
| 10093             | H To replace G in complete sets when stocks of H are available. |
| 10161             |   |
| 0416              |   |
| Scheme No.        |   |







|          |     |      |          |               |   |
|----------|-----|------|----------|---------------|---|
| Compiled | P J | Date | 19.11.63 | No. of plates | 1 |
|----------|-----|------|----------|---------------|---|



ROLLS-ROYCE LIMITED 'C' RANGE ENGINES

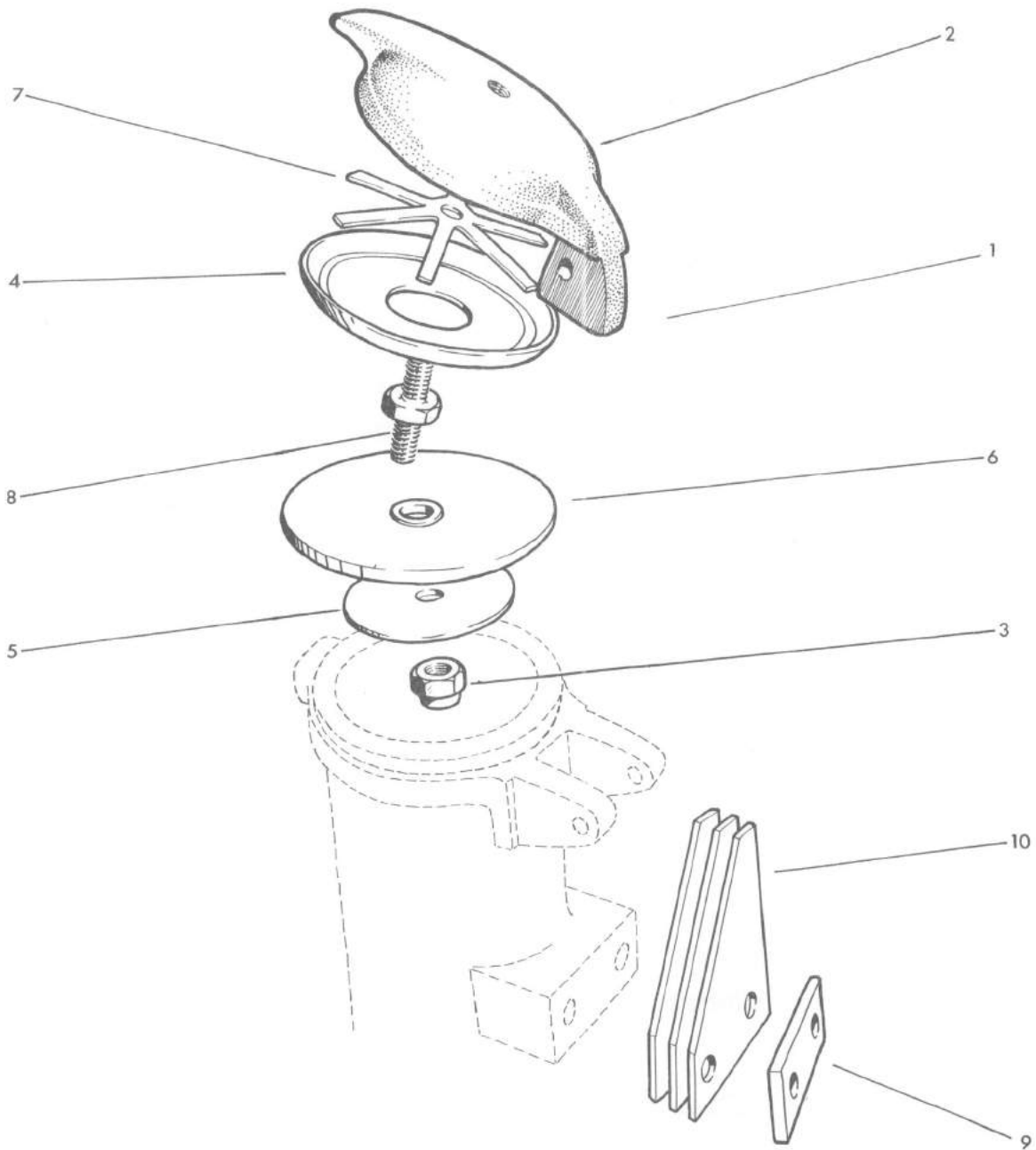
Group 480/2

Group Title

OIL FILLER CAP

Plate 1

Issue 1

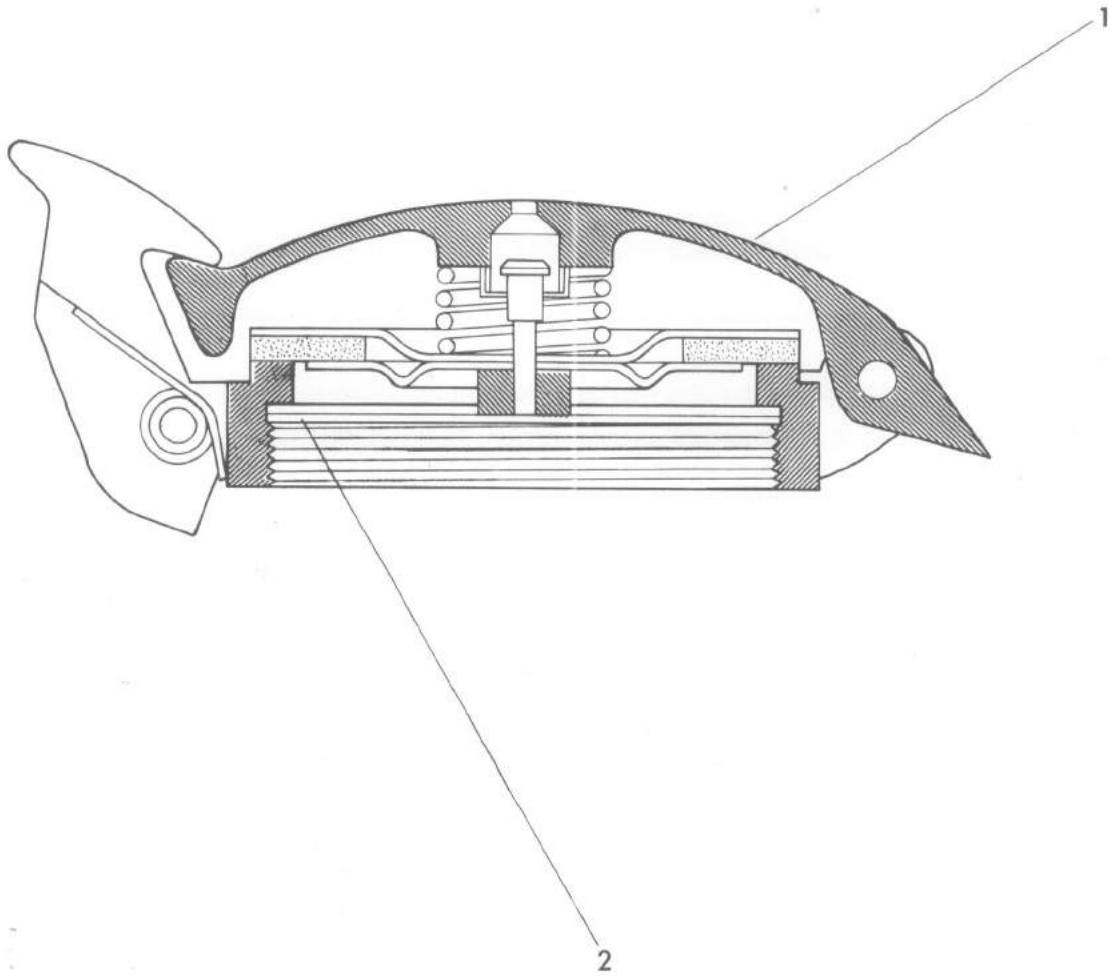


|          |     |      |          |               |   |
|----------|-----|------|----------|---------------|---|
| Compiled | DSE | Date | 15.10.63 | No. of plates | 1 |
|----------|-----|------|----------|---------------|---|



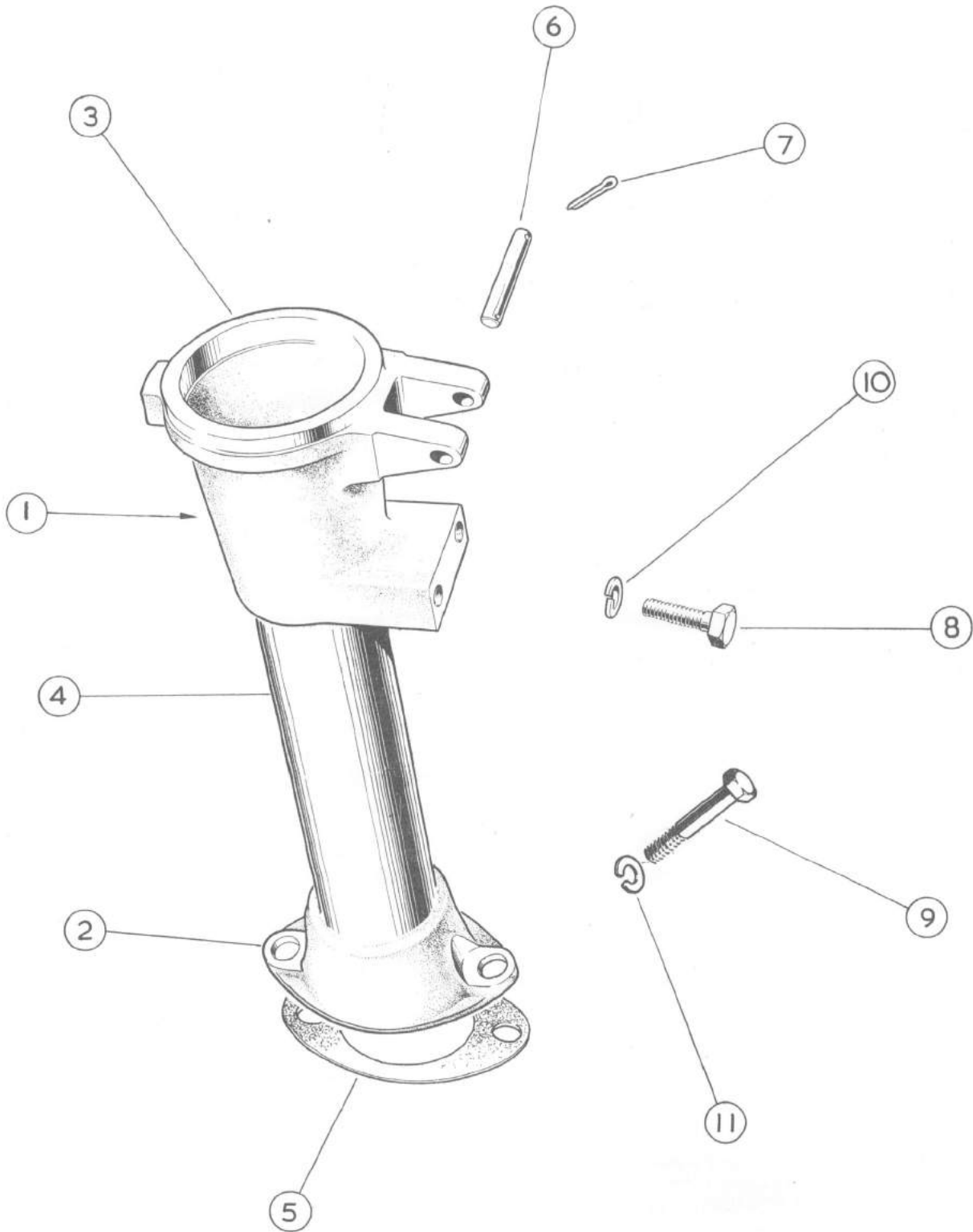


Group Title OIL FILLER CAP

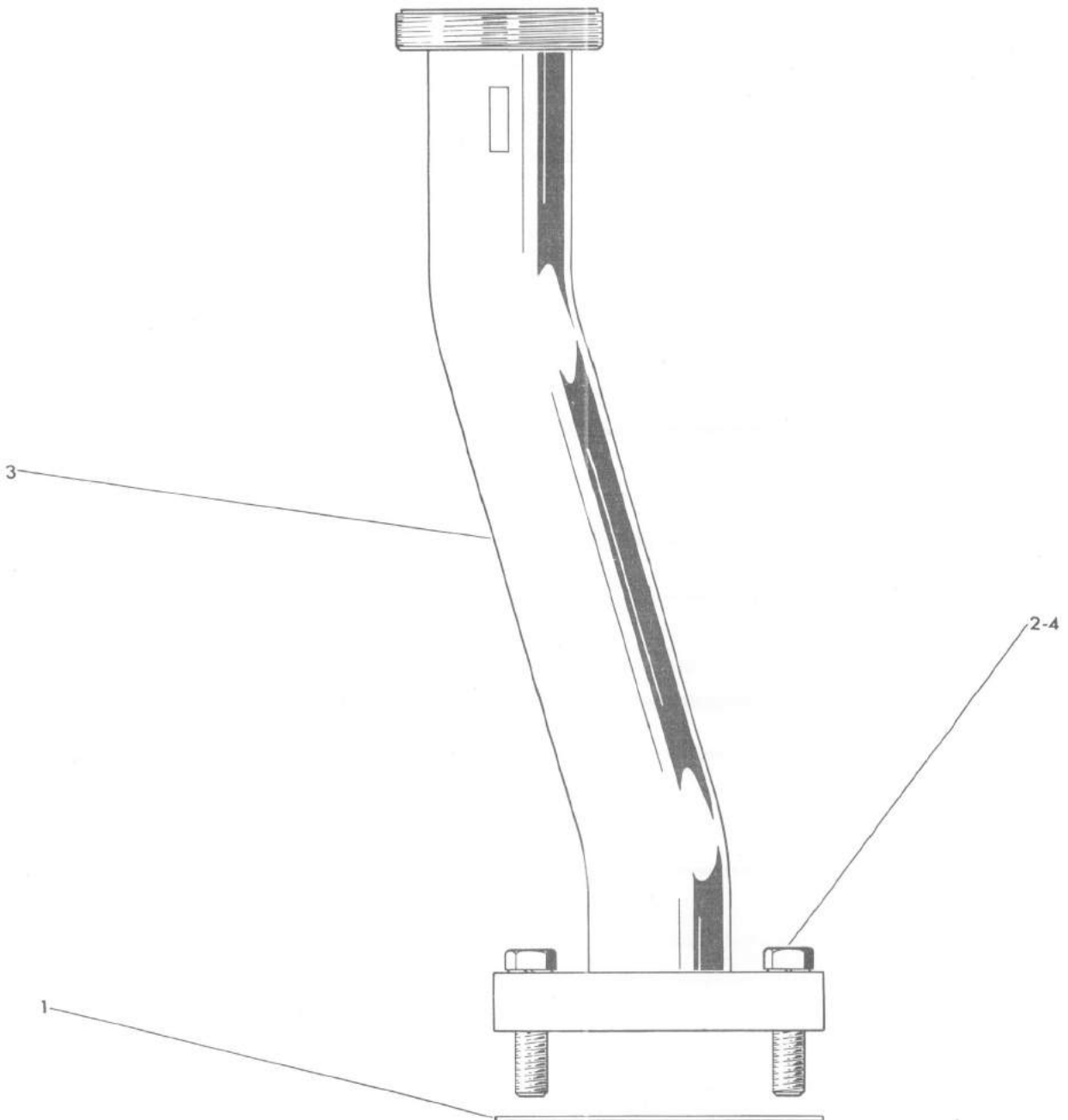


|          |     |      |             |               |   |
|----------|-----|------|-------------|---------------|---|
| Compiled | DSE | Date | 20 · 4 · 64 | No. of plates | 1 |
|----------|-----|------|-------------|---------------|---|





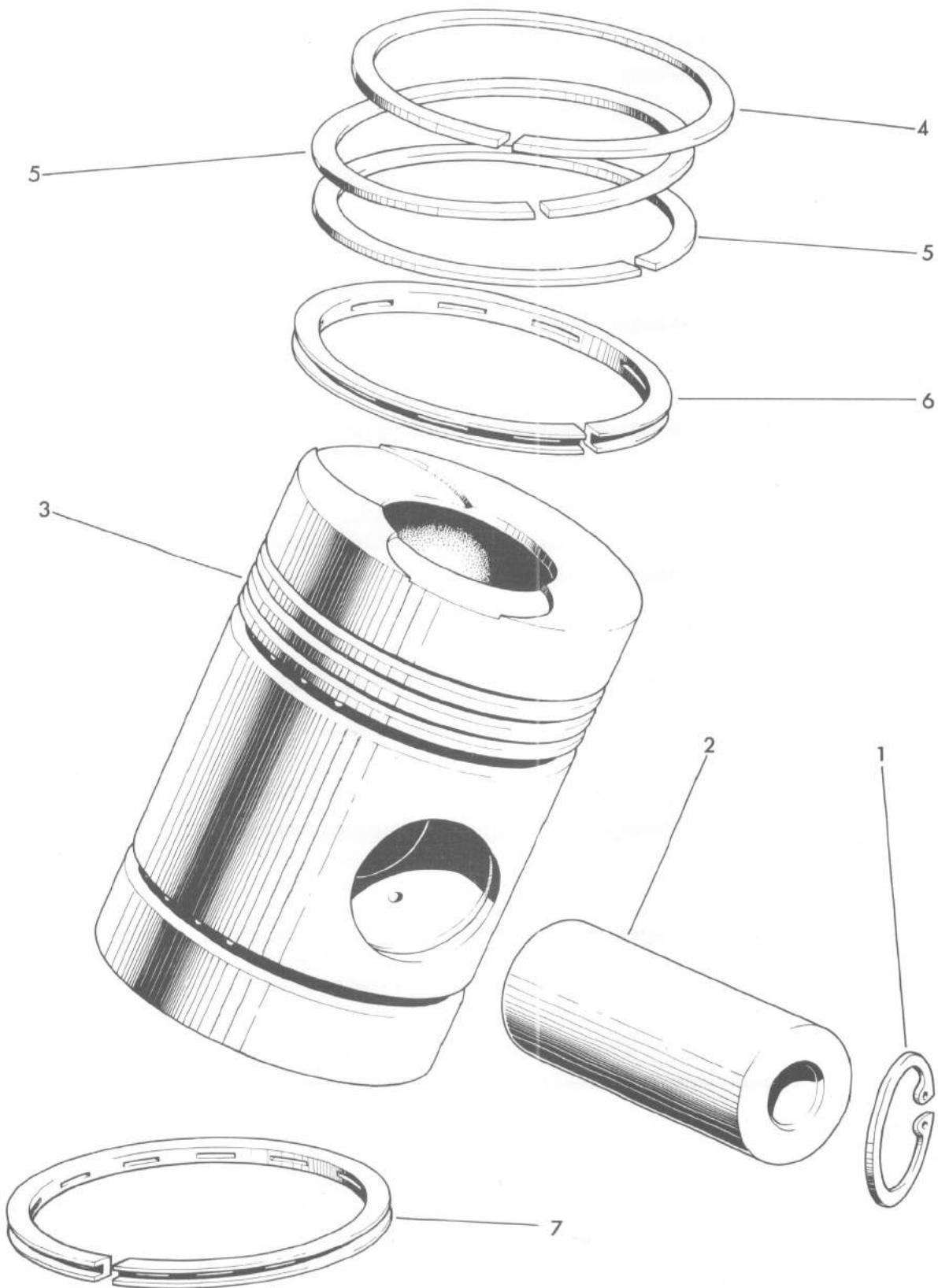




|          |     |      |              |               |   |
|----------|-----|------|--------------|---------------|---|
| Compiled | CAW | Date | 12 . 11 . 63 | No. of plates | 1 |
|----------|-----|------|--------------|---------------|---|

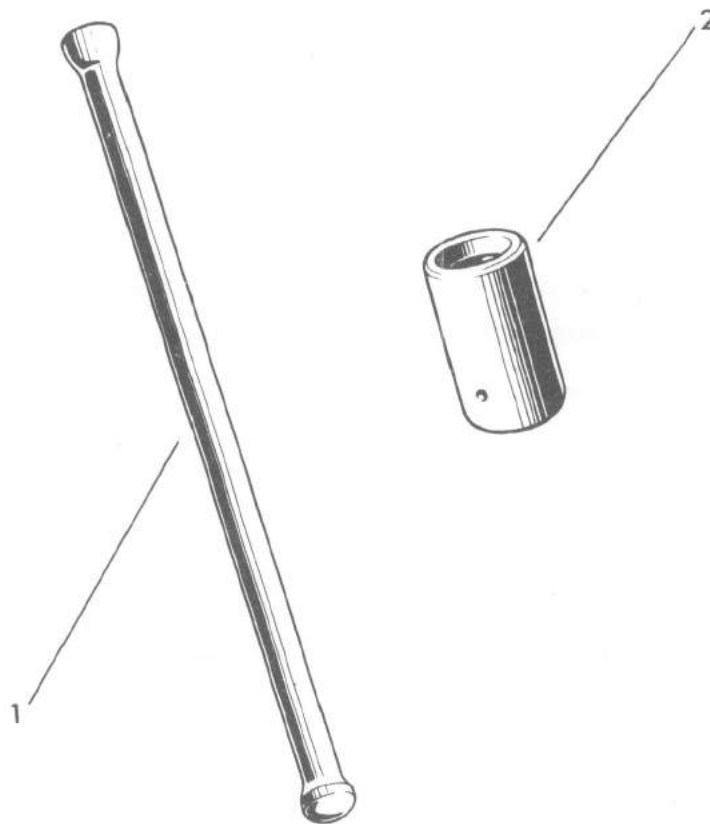






|          |     |      |          |               |   |
|----------|-----|------|----------|---------------|---|
| Compiled | BLW | Date | 5. 5. 64 | No. of plates | 1 |
|----------|-----|------|----------|---------------|---|

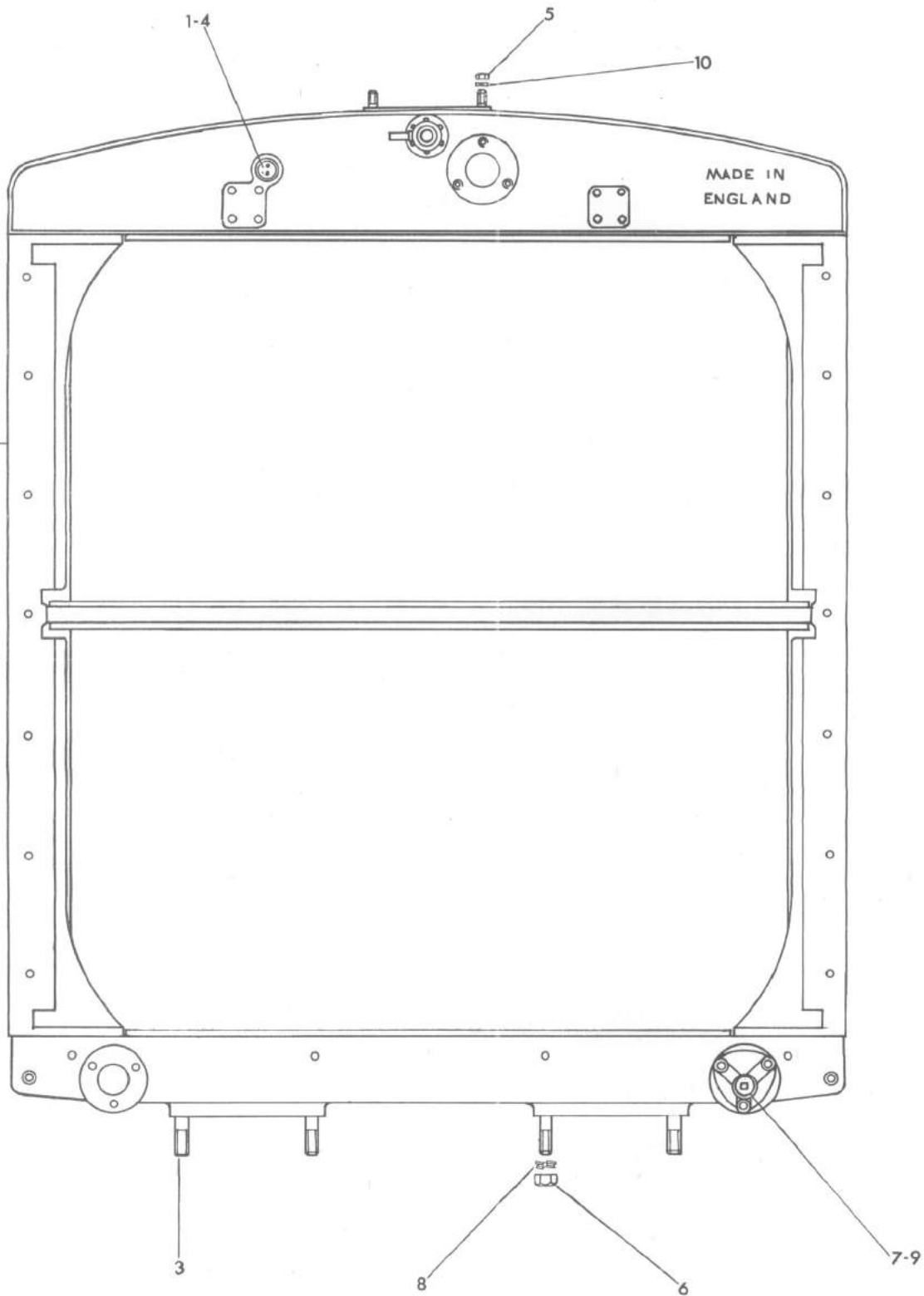




|          |       |      |         |               |   |
|----------|-------|------|---------|---------------|---|
| Compiled | B L W | Date | 26.3.64 | No. of plates | 1 |
|----------|-------|------|---------|---------------|---|



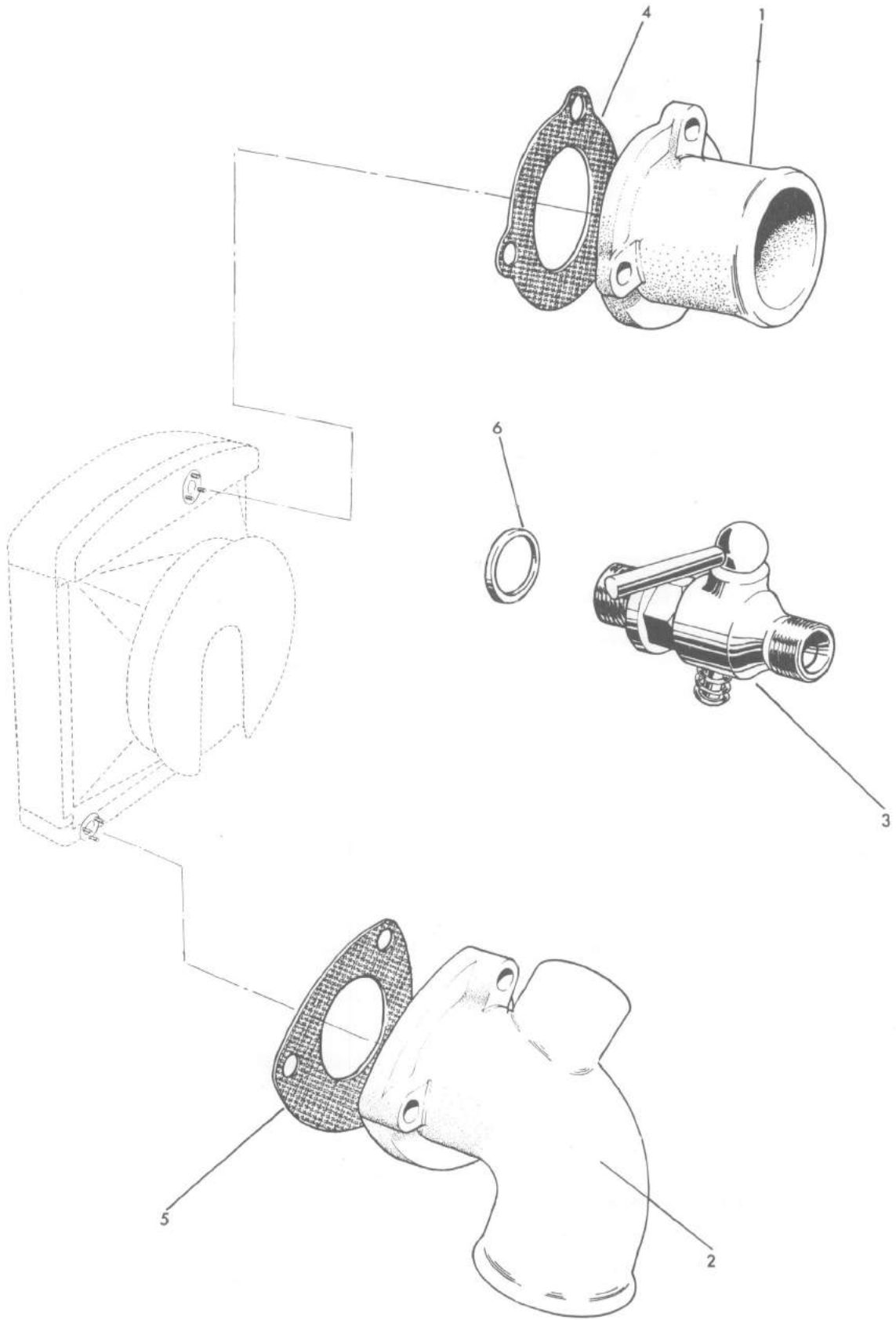




|          |    |      |        |               |   |
|----------|----|------|--------|---------------|---|
| Compiled | MH | Date | 8.1.64 | No. of plates | 1 |
|----------|----|------|--------|---------------|---|



Group Title RADIATOR COOLANT CONNECTIONS

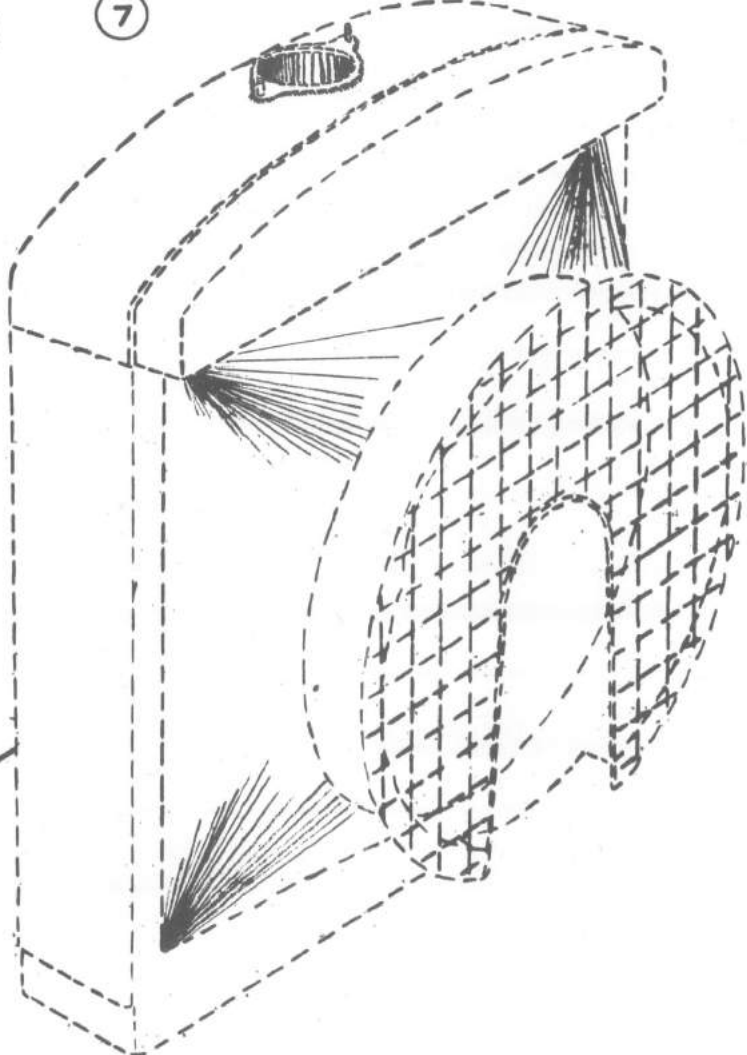
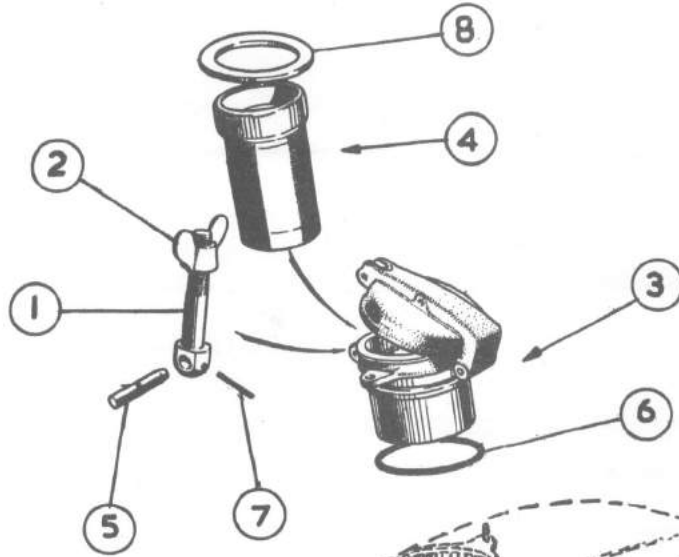


|          |     |      |         |               |   |
|----------|-----|------|---------|---------------|---|
| Compiled | JDS | Date | 23-9-63 | No. of plates | 1 |
|----------|-----|------|---------|---------------|---|



Group Title

RADIATOR FILLER



For radiator  
see Group. 520




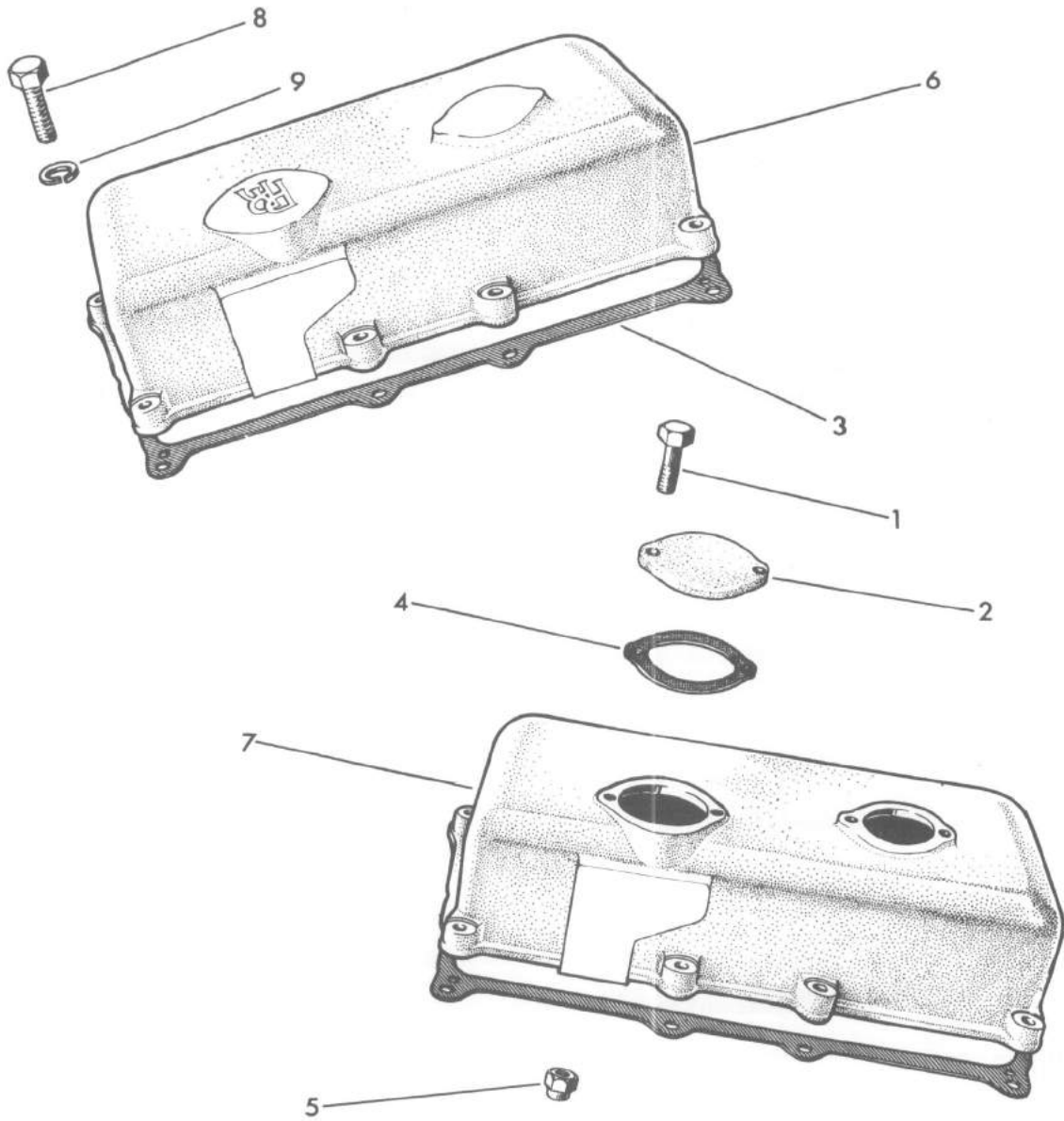
ROLLS-ROYCE LIMITED 'C' RANGE ENGINES

Group 523/1 M  
Page 1 Issue 1

Group Title RADIATOR FILLER

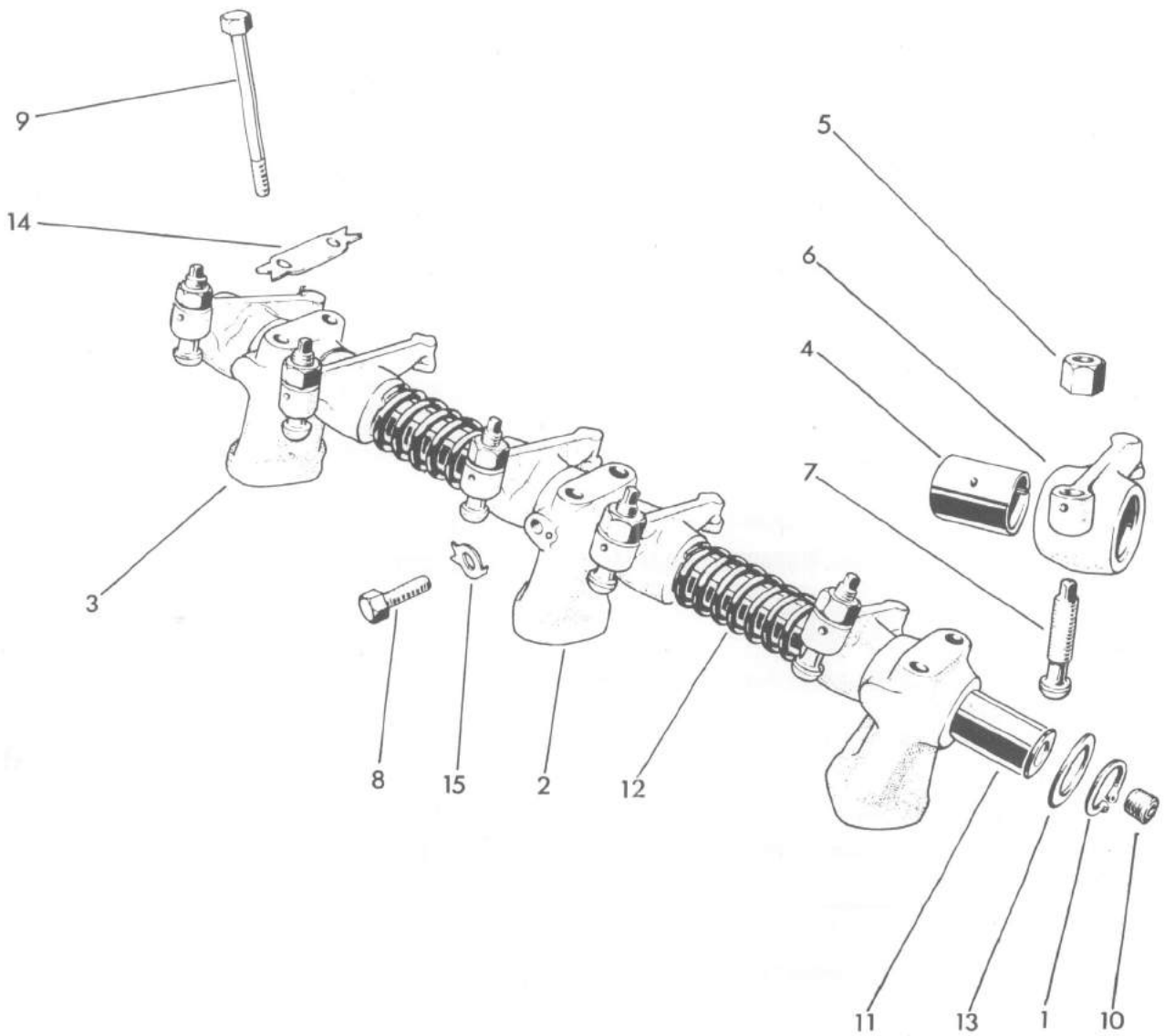
| Alteration O.E.L. No. | Item No. | Note | Part No. | Description              |   |   |   |   | No. Off |
|-----------------------|----------|------|----------|--------------------------|---|---|---|---|---------|
|                       |          |      |          | 1                        | 2 | 3 | 4 | 5 |         |
|                       |          |      | OE 11226 | Bolt assembly            |   |   |   |   | 1       |
|                       | 1        |      | OE 11224 | + Bolt                   |   |   |   |   | 1       |
|                       | 2        |      | OE 4684  | + Wing nut               |   |   |   |   | 1       |
|                       | 3        |      | OE 9611  | Cap and adaptor assembly |   |   |   |   | 1       |
|                       |          |      | OE 7929  | + Adaptor                |   |   |   |   | 1       |
|                       |          |      | OE 9489  | + Cap sub assembly       |   |   |   |   | 1       |
|                       |          |      | OE 7930  | + Cap - inner            |   |   |   |   | 1       |
|                       |          |      | OE 7928  | + Cap - outer            |   |   |   |   | 1       |
|                       |          |      | OE 5343  | + Pivot pin              |   |   |   |   | 1       |
|                       |          |      | OE 5344  | + Pivot pin              |   |   |   |   | 1       |
|                       | 4        |      | OE 4542  | Filter assembly          |   |   |   |   | 1       |
|                       |          |      | OE 4544  | + Base                   |   |   |   |   | 1       |
|                       |          |      | OE 4539  | + Frame - top            |   |   |   |   | 1       |
|                       |          |      | OE 4543  | + Frame - bottom         |   |   |   |   | 1       |
|                       |          |      | OE 4545  | + Gauze - frame          |   |   |   |   | 1       |
|                       |          |      | OE 4546  | Gauze - base             |   |   |   |   | 1       |
|                       | 5        |      | OE 5345  | Pivot pin                |   |   |   |   | 1       |
|                       | 6        |      | KB 16659 | Sealing ring 3.925 dia.  |   |   |   |   | 1       |
|                       | 7        |      | K 4701   | Taper pin .125 dia.      |   |   |   |   | 1       |
|                       | 8        |      | OE 7405  | Washer - sealing         |   |   |   |   | 1       |

|   |          |    |       |          |              |   |
|---|----------|----|-------|----------|--------------|---|
| Items marked + not supplied as spares   | Compiled | GP | Date  | 8.12.60. | No. of pages | 1 |
| Alteration O.E.L.   |          |    | Notes |          |              |   |
|  |          |    |       |          |              |   |
| Scheme No.  |          |    |       |          |              |   |



|          |    |      |          |               |   |
|----------|----|------|----------|---------------|---|
| Compiled | IR | Date | 3. 3. 64 | No. of plates | 1 |
|----------|----|------|----------|---------------|---|





|          |    |      |        |               |   |
|----------|----|------|--------|---------------|---|
| Compiled | IR | Date | 9.3.64 | No. of plates | 1 |
|----------|----|------|--------|---------------|---|

# ROLLS-ROYCE LIMITED 'C' RANGE ENGINES

Group 535/1M

Page 1 Issue 2

Group Title **ROCKER GEAR**

| Alteration<br>O.E.L.<br>No. | Item<br>No. | Note | Part No. | Description                                    |   |   |   |   | No.<br>Off |    |
|-----------------------------|-------------|------|----------|--|---|---|---|---|------------|----|
|                             |             |      |          | 1  | 2 | 3 | 4 | 5 |            |    |
|                             | 1           |      | KB 14169 | Circlip  |   |   |   |   |            | 4  |
|                             | 2           | A    | OE 2248  | Pedestal                                       |   |   |   |   |            | 4  |
|                             | 3           | A    | OE 2249  | Pedestal                                       |   |   |   |   |            | 2  |
| 11225                       |             | B    | OE 34102 | Pedestal                                       |   |   |   |   |            | 6  |
|                             |             |      | OE 20532 | Rocker arm assembly                            |   |   |   |   |            | 12 |
|                             | 4           |      | OE 2524  | Bush   |   |   |   |   |            | 12 |
|                             | 5           |      | OE 1607  | Nut .125 B.S.P.                                |   |   |   |   |            | 12 |
|                             | 6           |      | OE 2544  | + Rocker arm                                   |   |   |   |   |            | 12 |
|                             | 7           |      | OE 10654 | Screw - tappet adjusting                       |   |   |   |   |            | 12 |
|                             | 8           |      | UF 1502  | Setscrew - shaft locating .312 dia. by .75     |   |   |   |   |            | 2  |
|                             | 9           |      | UF 1568  | Setscrew - pedestal locating .375 dia. by 3.50 |   |   |   |   |            | 12 |
|                             |             |      | OE 10972 | Shaft assembly                                 |   |   |   |   |            | 2  |
|                             | 10          |      | OE 2314  | Plug   |   |   |   |   |            | 4  |
|                             | 11          |      | OE 8722  | + Shaft  |   |   |   |   |            | 2  |
|                             | 12          |      | OE 429   | Spring   |   |   |   |   |            | 4  |
|                             | 13          |      | OE 431   | Washer - distance                              |   |   |   |   |            | 4  |
|                             | 14          |      | OE 10945 | Washer - tab                                   |   |   |   |   |            | 6  |
|                             | 15          |      | KU 10007 | Washer - tab .312 i/d                          |   |   |   |   |            | 2  |

Items marked + not supplied as spares    Compiled    PS    Date 28.8.64.    No. of pages 1

Alteration O.E.L.

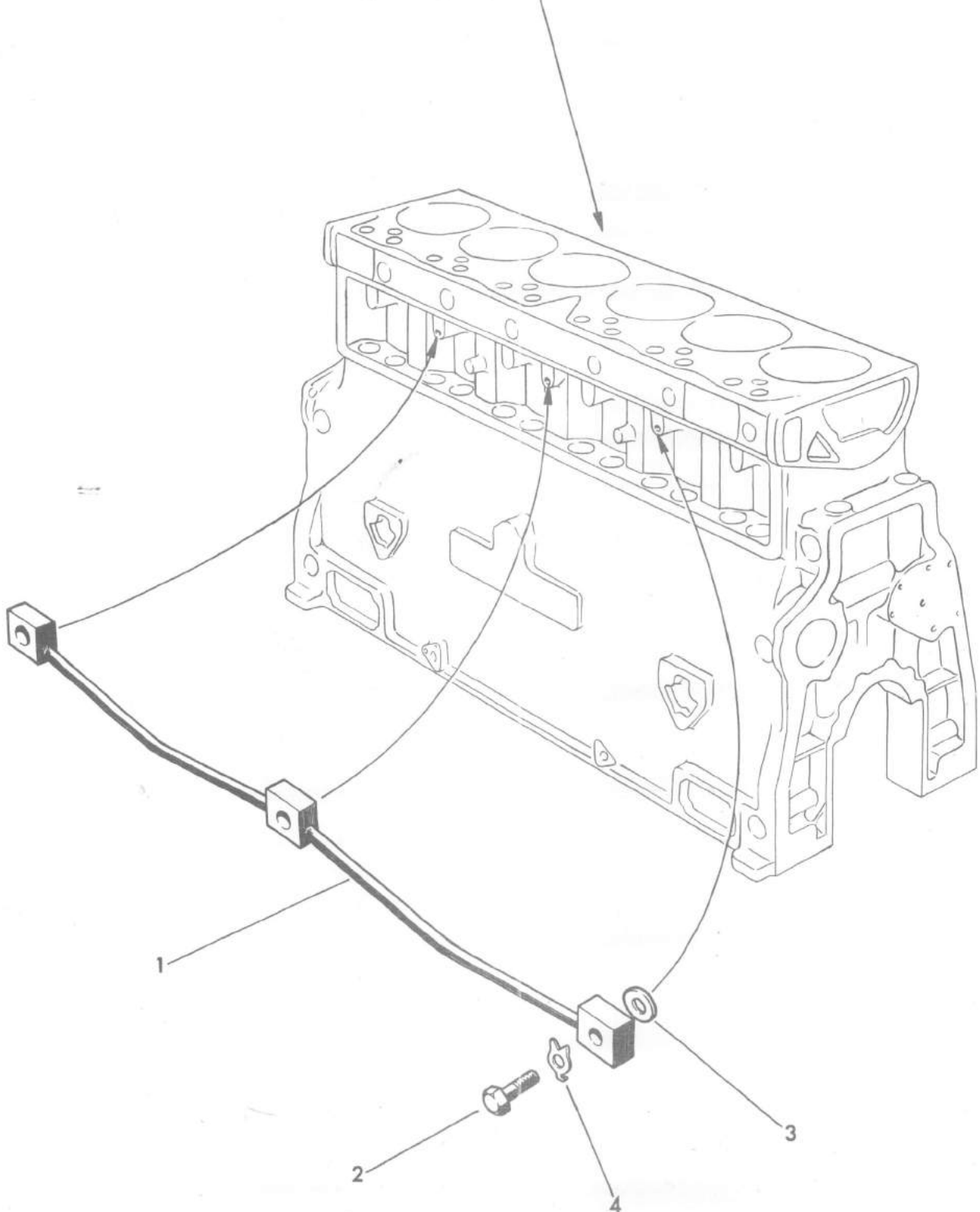
Notes

B To replace A in complete sets when stocks of A are exhausted.

Scheme No.



For crankcase and bearings, see group 230



|          |     |      |             |               |   |
|----------|-----|------|-------------|---------------|---|
| Compiled | DSE | Date | 20 · 2 · 64 | No. of plates | 1 |
|----------|-----|------|-------------|---------------|---|



# ROLLS-ROYCE LIMITED 'C' RANGE ENGINES

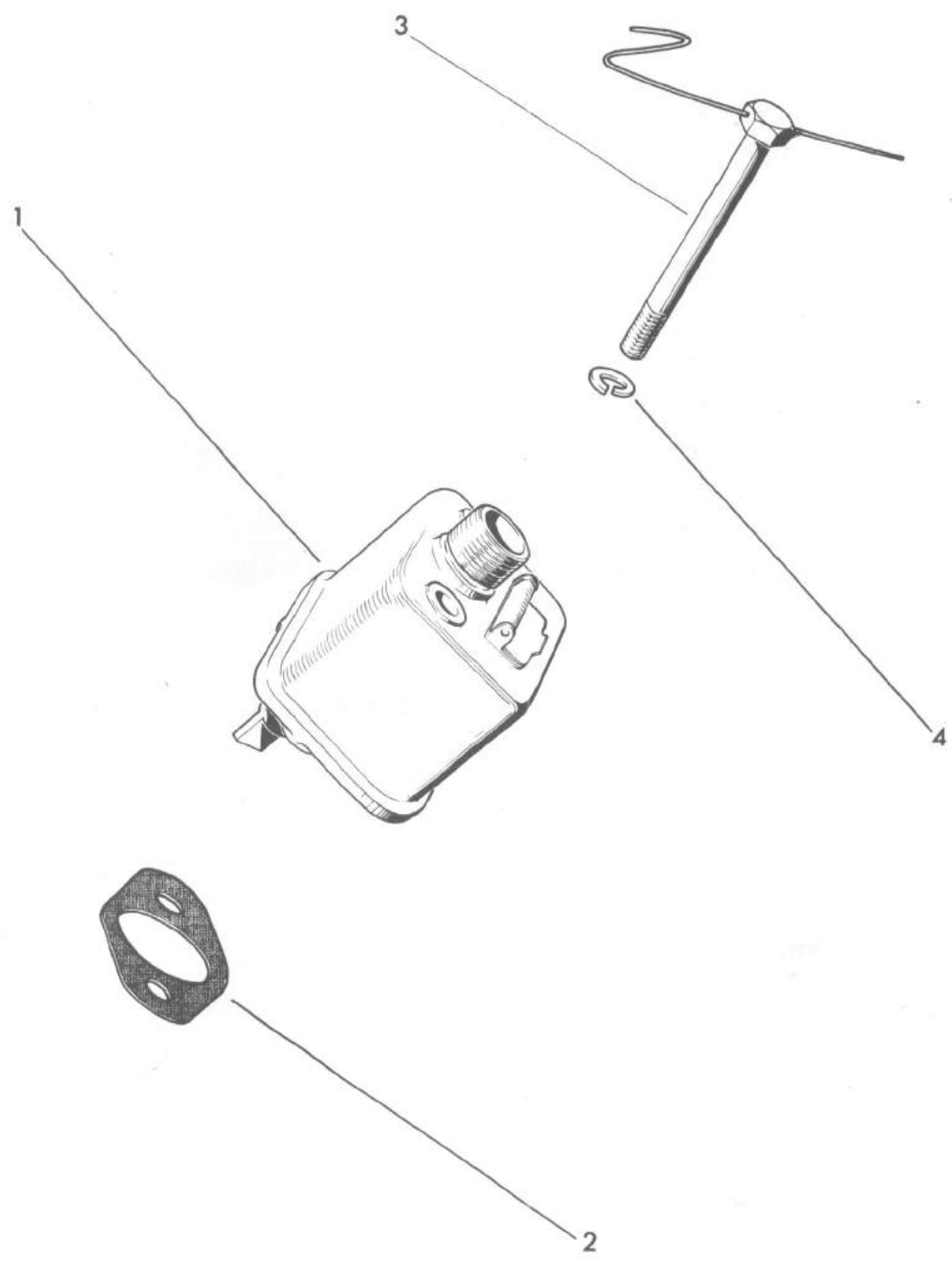
Group 550/20 M  
Page 1 Issue 2

Group Title

SERVICE OVERHAUL ASSEMBLIES

| Alteration<br>O.E.L<br>No.   | Item<br>No. | Note | Part No.  |   |   |   |   |   | Description  | No.<br>Off |
|--|-------------|------|-----------|---|---|---|---|---|--|------------|
|  |             |      |           | 1 | 2 | 3 | 4 | 5 |  |            |
|  |             |      | OE 24996  |   |   |   |   |   | Service assembly of cylinder head (inc. cup plugs)<br>complete with valve gear | 2          |
| For details of other special service items refer to the following groups:- |             |      |           |   |   |   |   |   |  |            |
|  |             |      | GROUP 170 |   |   |   |   |   | Connecting rods  |            |
|  |             |      | GROUP 190 |   |   |   |   |   | Coolant pump   |            |
|  |             |      | GROUP 230 |   |   |   |   |   | Crankcase and bearings   |            |
|  |             |      | GROUP 250 |   |   |   |   |   | Cylinder head  |            |
|  |             |      | GROUP 430 |   |   |   |   |   | Idler gears  |            |
|  |             |      | GROUP 475 |   |   |   |   |   | Oil pump   |            |
|  |             |      | GROUP 490 |   |   |   |   |   | Piston   |            |
|  |             |      | GROUP 590 |   |   |   |   |   | Supercharger (where applicable)  |            |
|  |             |      | GROUP 660 |   |   |   |   |   | Valves and fittings  |            |

|                                       |          |    |       |          |              |   |
|---------------------------------------|----------|----|-------|----------|--------------|---|
| Items marked + not supplied as spares | Compiled | JE | Date  | 21.9.64. | No. of pages | 1 |
| Alteration O.E.L.                     |          |    | Notes |          |              |   |
| 6849                                  |          |    |       |          |              |   |
|                                       |          |    |       |          |              |   |
| Scheme No.                            |          |    |       |          |              |   |



|          |     |      |        |               |   |
|----------|-----|------|--------|---------------|---|
| Compiled | DSE | Date | 5.3.64 | No. of plates | 1 |
|----------|-----|------|--------|---------------|---|



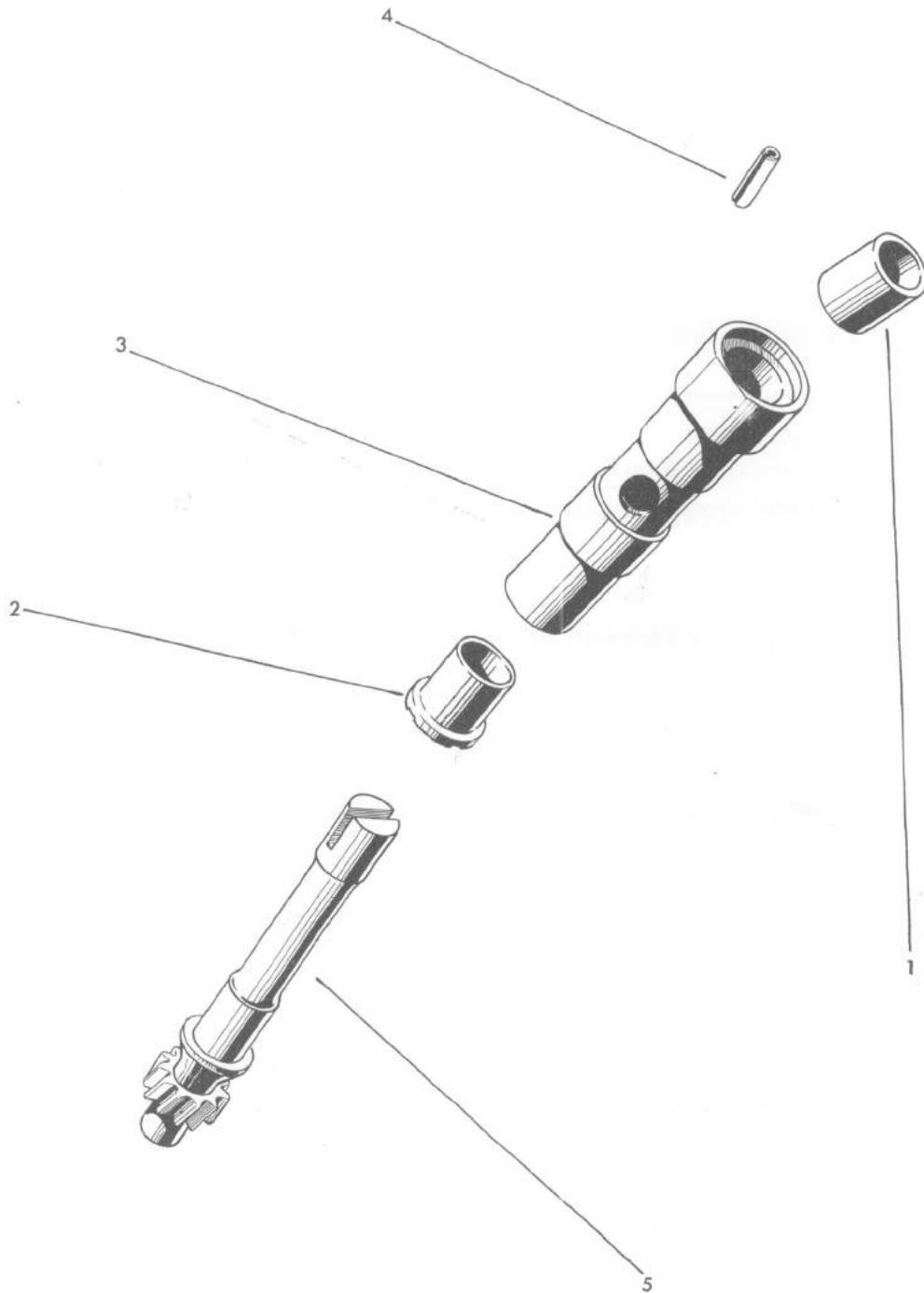


ROLLS-ROYCE LIMITED 'C' RANGE ENGINES

Group 561/1

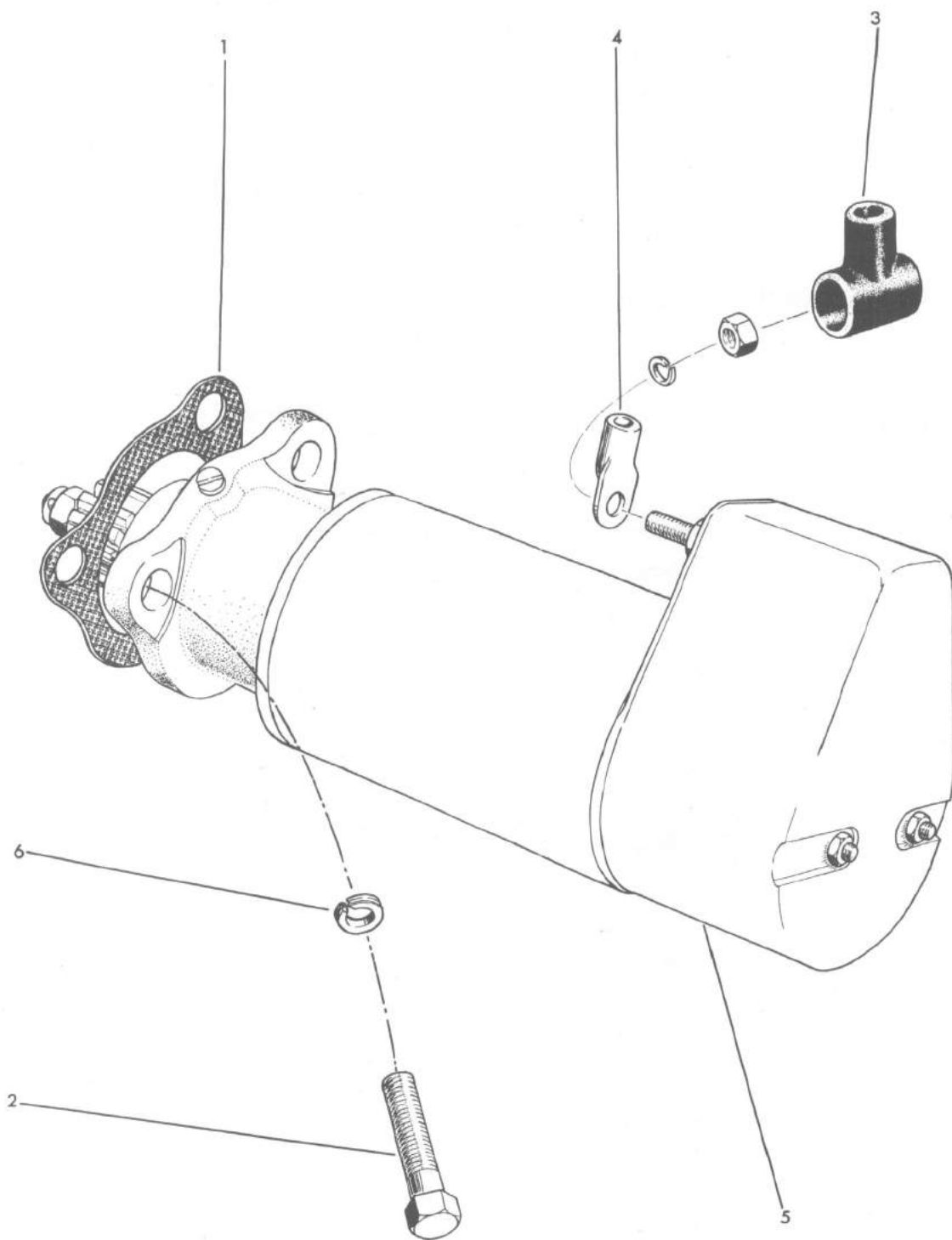
Group Title SERVICE COUNTER DRIVE

Plate 1 Issue 1



|          |     |      |              |               |   |
|----------|-----|------|--------------|---------------|---|
| Compiled | DSE | Date | 15 · 10 · 63 | No. of plates | 1 |
|----------|-----|------|--------------|---------------|---|

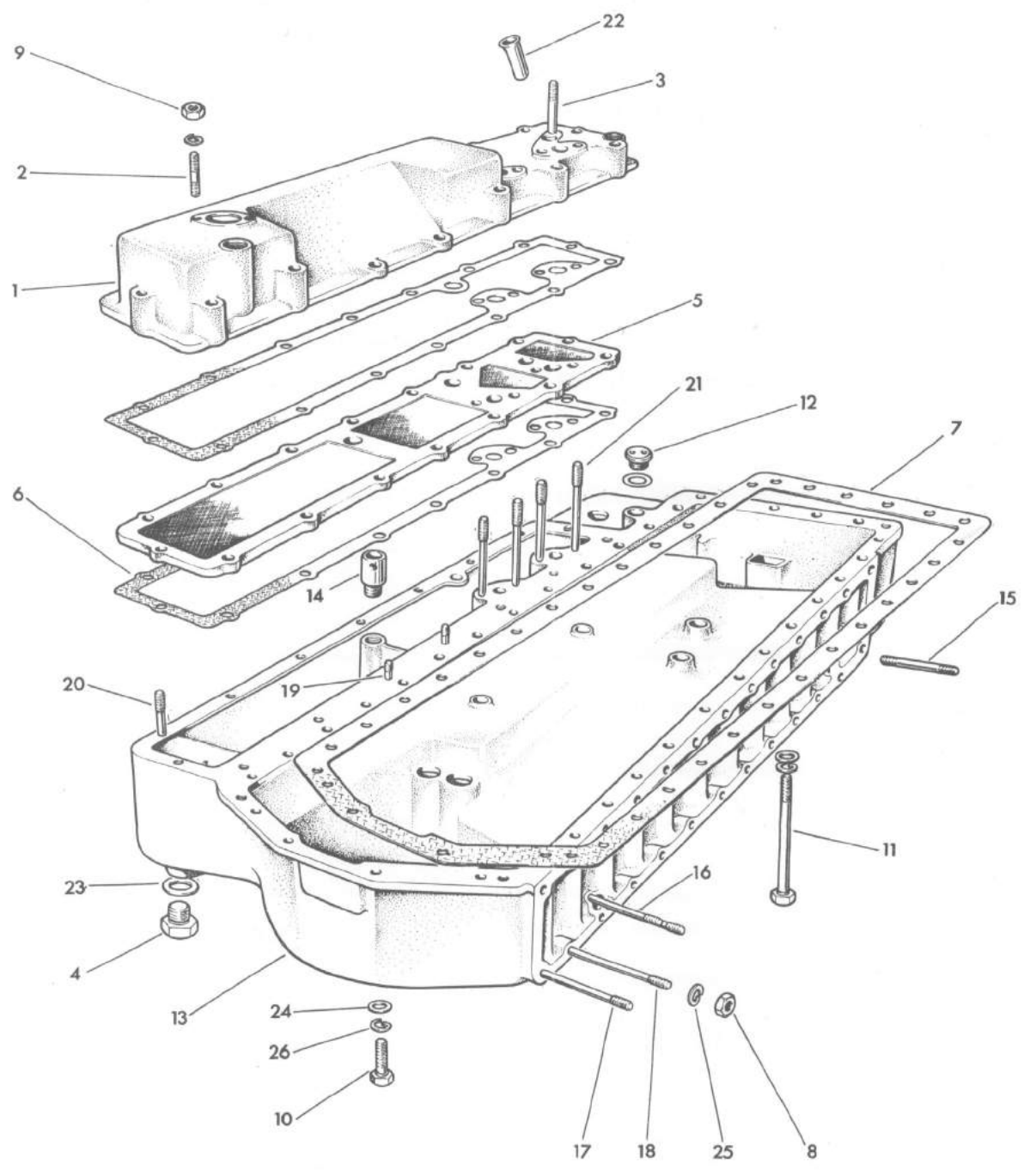




|          |    |      |        |               |   |
|----------|----|------|--------|---------------|---|
| Compiled | PJ | Date | 8.1.64 | No. of plates | 1 |
|----------|----|------|--------|---------------|---|



Group Title                      SUMP



|          |      |      |            |               |   |
|----------|------|------|------------|---------------|---|
| Compiled | M.H. | Date | 31. 5. 63. | No. of plates | 1 |
|----------|------|------|------------|---------------|---|



# ROLLS-ROYCE LIMITED 'C' RANGE ENGINES

Group 580/112M  
Page 1 Issue 1

Group Title

| Alteration O.E.L. No.                 | Item No. | Note | Part No. | Description                                    |          |           |          |              | No. Off        |           |       |   |
|---------------------------------------|----------|------|----------|--|----------|-----------|----------|--------------|----------------|-----------|-------|---|
|                                       |          |      |          | 1  | 2        | 3         | 4        | 5            |                |           |       |   |
|                                       |          | A    | OE 26139 | Cover  | assembly | -         | oil      | reservoir    | (inc. OE 4724) | 1         |       |   |
|                                       |          | B    | OE 13782 | Cover  | assembly | -         | oil      | reservoir    | (inc. OE 4660) | 1         |       |   |
|                                       |          | A    | OE 4724  | + Cover  |          |           |          |              |                | 1         |       |   |
|                                       | 1        | B    | OE 4660  | + Cover  |          |           |          |              |                | 1         |       |   |
|                                       | 2        |      | UF 2752  | Stud   | .375     | dia.      | by       | 1.875        |                |           |       |   |
|                                       |          |      |          |  |          |           |          | retaining    | oil            | filter    | 2     |   |
|                                       | 3        |      | UF 2759  | Stud   | .375     | dia.      | by       | 3.250        |                |           |       |   |
|                                       |          |      |          |  |          |           |          | retaining    | oil            | relief    | valve | 1 |
|                                       | 4        |      | OE 2421  | Drain  | plug     | .875      | dia.     |              |                |           | 4     |   |
|                                       | 5        |      | OE 4663  | Filter   | gauze    | assembly  |          |              |                |           | 1     |   |
|                                       |          |      | OE 4664  | + Frame  |          |           |          |              |                |           | 1     |   |
|                                       |          |      | OE 2405  | + Gauze  |          |           |          |              |                |           | 1     |   |
|                                       |          |      | OE 2406  | + Gauze  |          |           |          |              |                |           | 1     |   |
|                                       |          |      | OE 4665  | + Gauze  |          |           |          |              |                |           | 1     |   |
|                                       |          |      | OE 4666  | + Gauze  |          |           |          |              |                |           | 1     |   |
|                                       | 6        |      | OE 2425  | Joint  | -        | reservoir | cover    |              |                |           | 2     |   |
|                                       | 7        |      | OE 3757  | Joint  | -        | sump      | to       | crankcase    |                |           | 1     |   |
|                                       | 8        |      | UF 4354  | Nut  | -        | plain     | .312     | dia.         |                |           | 26    |   |
|                                       |          |      | UF 4454  | Nut  | -        | plain     | .312     | dia.         |                |           | 6     |   |
|                                       | 9        |      | UF 4355  | Nut  | -        | plain     | .375     | dia.         |                |           | 23    |   |
|                                       | 10       |      | UF 1555  | Setscrew                                       | .375     | dia.      | by       | 1.125        |                |           |       |   |
|                                       |          |      |          |  |          |           |          | sump         | to             | crankcase | 5     |   |
|                                       |          |      |          |  |          |           |          | sump         | to             | wheelcase | 4     |   |
| Items marked + not supplied as spares |          |      |          | Compiled                                       | GP       | Date      | 21.9.64. | No. of pages | 3              |           |       |   |
| Alteration O.E.L.                     |          |      |          | Notes  |          |           |          |              |                |           |       |   |
|                                       |          |      |          | A To replace B when stocks of B are exhausted. |          |           |          |              |                |           |       |   |
|                                       |          |      |          |  |          |           |          |              |                |           |       |   |
|                                       |          |      |          |  |          |           |          |              |                |           |       |   |
| Scheme No.                            |          |      |          |  |          |           |          |              |                |           |       |   |

# ROLLS-ROYCE LIMITED 'C' RANGE ENGINES

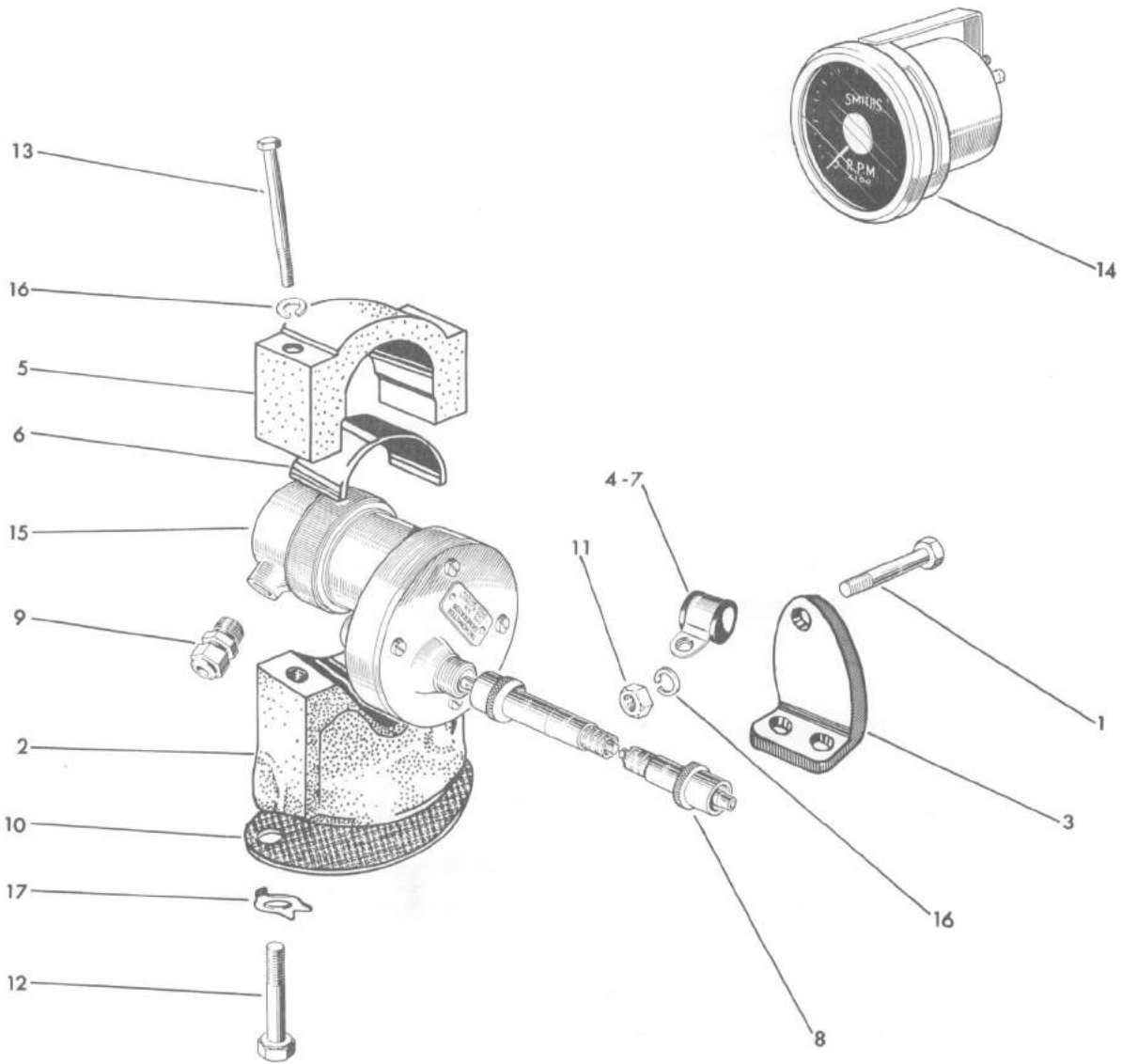
Group 580/112M

Page 2 Issue 2

Group Title S U M P

| Alteration<br>O.E.L<br>No.            | Item<br>No. | Note | Part No. | Description              |           |          |                     |              | No.<br>Off |    |
|---------------------------------------|-------------|------|----------|--------------------------|-----------|----------|---------------------|--------------|------------|----|
|                                       |             |      |          | 1                        | 2         | 3        | 4                   | 5            |            |    |
|                                       | 11          |      | UF 1577  | Setscrew                 | .375 dia. | by 5.75  |                     |              |            |    |
|                                       |             |      |          |                          |           |          | sump to crankcase   |              |            | 25 |
|                                       |             |      | OE 27708 | Sump assembly            |           |          |                     |              |            | 1  |
|                                       |             |      | UF 4954  | + Core plug              | .875 dia. |          |                     |              |            | 1  |
| 11083                                 | 12          |      | UF 5406  | + Core plug              | 1.00 dia. |          |                     |              |            | 13 |
|                                       |             |      | OE 3921  | + Insert                 |           |          |                     |              |            | 4  |
|                                       |             |      | OE 18306 | + Pin - retaining insert |           |          |                     |              |            | 4  |
|                                       | 13          |      | OE 2408  | + Sump                   |           |          |                     |              |            | 1  |
|                                       | 14          |      | OE 2412  | Stand pipe               |           |          |                     |              |            | 1  |
|                                       | 15          |      | OE 2414  | Stud                     | .312 dia. | by 3.575 |                     |              |            |    |
|                                       |             |      |          |                          |           |          | oil cooler bracket  |              |            | 5  |
|                                       | 16          |      | OE 2415  | Stud                     | .312 dia. | by 3.775 |                     |              |            |    |
|                                       |             |      |          |                          |           |          | oil cooler bracket  |              |            | 1  |
|                                       | 17          |      | UF 2715  | Stud                     | .312 dia. | by 4.50  |                     |              |            |    |
|                                       |             |      |          |                          |           |          | oil cooler cover    |              |            | 18 |
|                                       | 18          |      | UF 2718  | Stud                     | .312 dia. | by 5.250 |                     |              |            |    |
|                                       |             |      |          |                          |           |          | oil cooler cover    |              |            | 4  |
|                                       |             |      | UF 2721  | Stud                     | .312 dia. | by 6.00  |                     |              |            |    |
|                                       |             |      |          |                          |           |          | oil cooler cover    |              |            | 4  |
|                                       | 19          |      | UF 2751  | Stud                     | .375 dia. | by 1.750 |                     |              |            |    |
|                                       |             |      |          |                          |           |          | oil reservoir cover |              |            | 2  |
| Items marked + not supplied as spares |             |      |          | Compiled                 | GP        | Date     | 3.7.64              | No. of pages | 3          |    |
| Alteration O.E.L.                     |             |      |          | Notes                    |           |          |                     |              |            |    |
|                                       |             |      |          |                          |           |          |                     |              |            |    |
|                                       |             |      |          |                          |           |          |                     |              |            |    |
|                                       |             |      |          |                          |           |          |                     |              |            |    |
| Scheme No.                            |             |      |          |                          |           |          |                     |              |            |    |





|          |     |      |            |               |   |
|----------|-----|------|------------|---------------|---|
| Compiled | DRE | Date | 2 . 9 . 63 | No. of plates | 1 |
|----------|-----|------|------------|---------------|---|



ROLLS-ROYCE LIMITED 'C' RANGE ENGINES

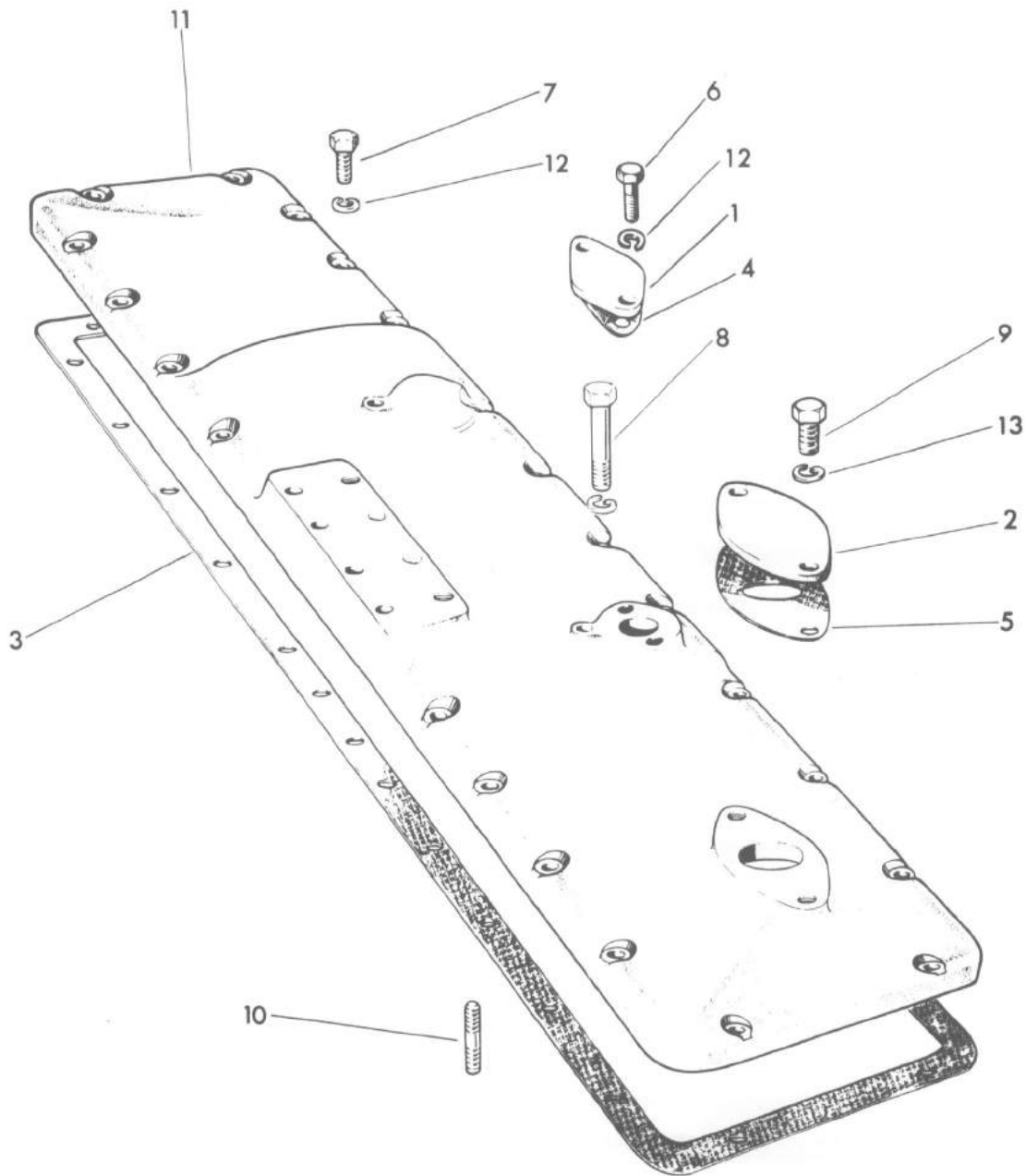
Group 600/77M  
Page 1 Issue 5

Group Title TACHOMETER AND DRIVE

| Alteration O.E.L No. | Item No. | Note | Part No.   |            |                    |          |       |            | Description               | No. Off |
|----------------------|----------|------|------------|------------|--------------------|----------|-------|------------|---------------------------|---------|
|                      |          |      |            | 1          | 2                  | 3        | 4     | 5          |                           |         |
|                      | 1        |      | UF 1501    | Bolt       | .312               | dia.     | by    | .625       | - clip to bracket         | 1       |
|                      |          |      |            |            |                    |          |       |            | bracket to manifold cover | 2       |
|                      | 2        |      | OE 17934   | Bracket    | -                  | mounting | -     | tacho      | - generator               | 1       |
|                      | 3        |      | OE 30932   | Bracket    | -                  | clip     | -     | supporting | driving cable             | 1       |
|                      | 4        |      | OE 9692    | Bush       | -                  | clip     |       |            |                           | 1       |
|                      | 5        |      | OD 3710    | Cap        |                    |          |       |            |                           | 1       |
|                      | 6        |      | OD 3711    | Clamping   | strip              |          |       |            |                           | 1       |
| 10107                | 7        |      | OE 9691    | Clip       | -                  | drive    | cable |            |                           | 1       |
| 10985                | 8        |      | OD12498/51 | Flexible   | drive              |          |       |            |                           | 1       |
|                      | 9        |      | OD 3709    | Gland      | -                  | packed   |       |            |                           | 1       |
|                      | 10       |      | OE 2017    | Joint      | -                  | bracket  | -     | rocker     | cover                     | 1       |
|                      | 11       |      | UF 4354    | Nut        | -                  | plain    | .312  | dia.       |                           | 2       |
|                      | 12       |      | UF 1501    | Setscrew   | .312               | dia.     | by    | .625       |                           | 2       |
|                      | 13       |      | UF 1513    | Setscrew   | .312               | dia.     | by    | 2.25       |                           | 2       |
| 11188                | 14       |      | OD12497/1  | Tachometer | (0 to 2500 R.P.M.) |          |       |            |                           | 1       |
|                      | 15       |      | OD 2757    | Tachometer | generator          | assembly |       |            |                           | 1       |
| 9941                 |          |      | OD 8269    | Tachometer | generator          |          |       |            |                           | 1       |
|                      |          |      | OD 8271    | Terminal   | cover              |          |       |            |                           | 1       |
|                      | 16       |      | ST 16259   | Washer     | -                  | spring   | .312  | i/d        |                           | 5       |
|                      | 17       |      | KU 10007   | Washer     | -                  | tab      | .312  | i/d        |                           | 2       |
|                      |          |      |            |            |                    |          |       |            |                           |         |
|                      |          |      |            |            |                    |          |       |            |                           |         |
|                      |          |      |            |            |                    |          |       |            |                           |         |

|                                       |          |    |       |          |              |   |
|---------------------------------------|----------|----|-------|----------|--------------|---|
| Items marked + not supplied as spares | Compiled | GP | Date  | 14.8.64. | No. of pages | 1 |
| Alteration O.E.L.                     |          |    | Notes |          |              |   |
|                                       |          |    |       |          |              |   |
|                                       |          |    |       |          |              |   |
|                                       |          |    |       |          |              |   |
| Scheme No.                            |          |    |       |          |              |   |





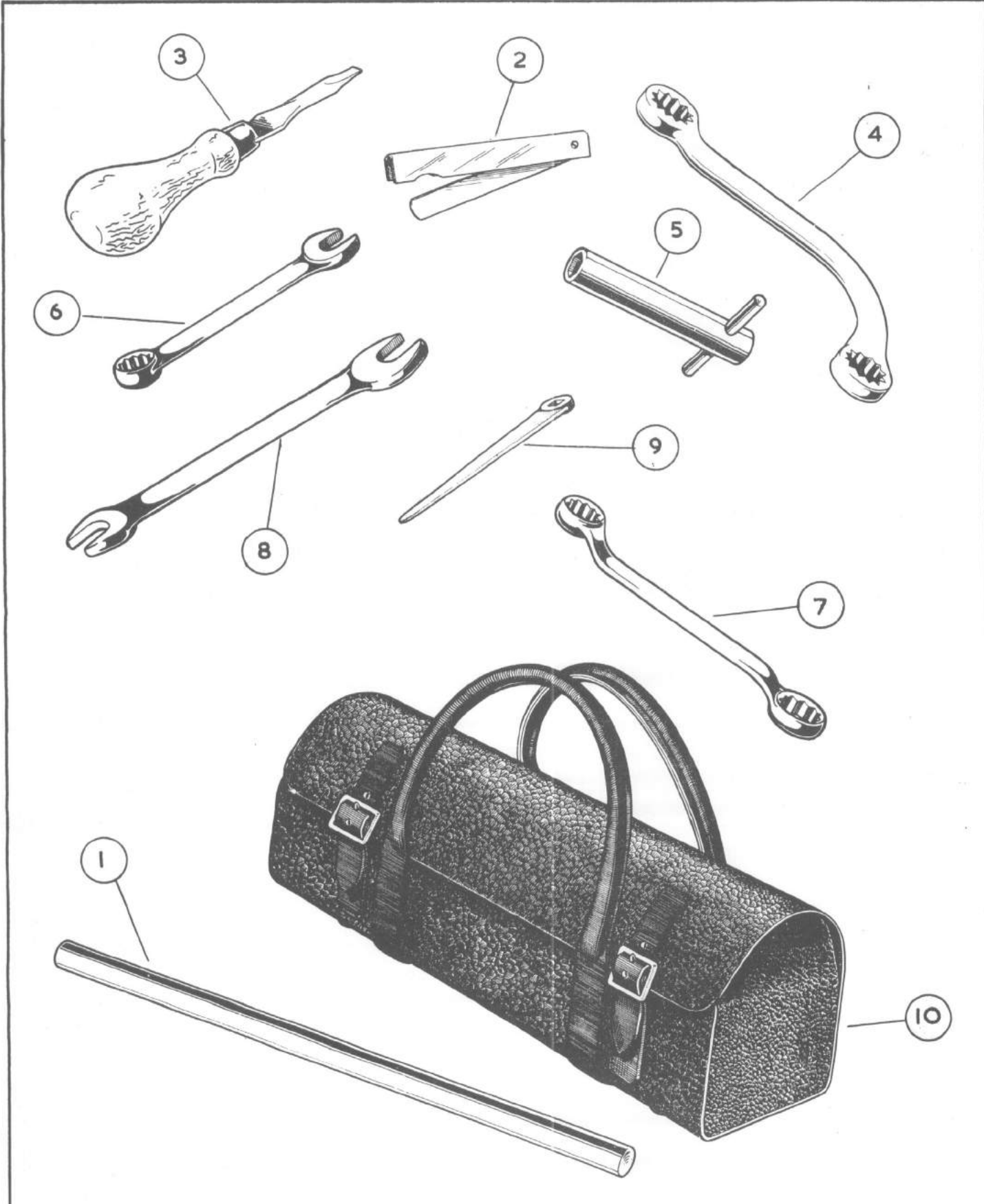
|          |     |      |         |               |   |
|----------|-----|------|---------|---------------|---|
| Compiled | DSE | Date | 25.3.64 | No. of plates | 1 |
|----------|-----|------|---------|---------------|---|



# ROLLS-ROYCE LIMITED 'C' RANGE ENGINES

Group 620/4  
Plate 1 Issue 1

Group Title TOOL KIT



|          |     |      |          |               |   |
|----------|-----|------|----------|---------------|---|
| Compiled | DWN | Date | 24.9.59. | No. of plates | 1 |
|----------|-----|------|----------|---------------|---|

# ROLLS-ROYCE LIMITED 'C' RANGE ENGINES

Group 620/4M

Page 1 Issue 1

Group Title

TOOL KIT

| Alteration O.E.L. No.                 | Item No. | Note | Part No. | Description                            |    |      |         |              | No. Off |
|---------------------------------------|----------|------|----------|--|----|------|---------|--------------|---------|
|                                       |          |      |          | 1                                      | 2  | 3    | 4       | 5            |         |
|                                       | 1        |      | OE 3309  | Barring tool                           |    |      |         |              | 1       |
|                                       | 2        |      | OE 11103 | Feeler gauge                           |    |      |         |              | 1       |
|                                       |          |      | GA 86    | Key - spanner - compressor valve seat  |    |      |         |              | 1       |
|                                       |          |      | GA 81    | Pin spanner - compressor spring keeper |    |      |         |              | 1       |
|                                       | 3        |      | OE 11104 | Screw driver                           |    |      |         |              | 1       |
|                                       | 4        |      | OE 3391  | Spanner - angled ring .500 by .562 A/F |    |      |         |              | 1       |
|                                       | 5        |      | OE 7327  | Spanner - box .500 A/F injector nuts   |    |      |         |              | 1       |
|                                       | 6        |      | -        | Spanner - combination                  |    |      |         |              |         |
|                                       |          |      | OE 4276  | .562 A/F                               |    |      |         |              | 1       |
|                                       |          |      | OE 8174  | .937 A/F                               |    |      |         |              | 1       |
|                                       |          |      | OE 5600  | 1.312 A/F                              |    |      |         |              | 1       |
|                                       | 7        |      | -        | Spanner - offset ring - double ended   |    |      |         |              |         |
|                                       |          |      | OE 11102 | .525 by .600 A/F                       |    |      |         |              | 1       |
|                                       |          |      | OE 4272  | .562 by .625 A/F                       |    |      |         |              | 1       |
|                                       | 8        |      | -        | Spanner - open jaw - double ended      |    |      |         |              |         |
|                                       |          |      | OE 6904  | .437 by .500 A/F                       |    |      |         |              | 1       |
|                                       |          |      | OE 6905  | .687 by .750 A/F                       |    |      |         |              | 1       |
|                                       |          |      | OE 6537  | .812 by .875 A/F                       |    |      |         |              | 1       |
|                                       |          |      | OE 6536  | .825 by .925 A/F                       |    |      |         |              | 1       |
|                                       |          |      | OE 4278  | 1.125 by 1.312 A/F                     |    |      |         |              | 1       |
|                                       | 9        |      | OE 3310  | Spanner - rocker screw                 |    |      |         |              | 1       |
|                                       | 10       |      | OE 3634  | Tool bag                               |    |      |         |              | 1       |
| Items marked + not supplied as spares |          |      |          | Compiled                               | GP | Date | 8.2.63. | No. of pages | 1       |
| Alteration O.E.L.                     |          |      |          | Notes                                  |    |      |         |              |         |
|                                       |          |      |          |  |    |      |         |              |         |
|                                       |          |      |          |  |    |      |         |              |         |
|                                       |          |      |          |  |    |      |         |              |         |
| Scheme No.                            |          |      |          |  |    |      |         |              |         |

2

# ROLLS-ROYCE LIMITED 'C' RANGE ENGINES

Group 630/16M  
Page 1 Issue 1

Group Title TORQUE CONVERTER

| Alteration O.E.L. No.                 | Item No. | Note | Part No.  | Description  |     |      |         |              | No. Off |
|---------------------------------------|----------|------|-----------|--|-----|------|---------|--------------|---------|
|                                       |          |      |           | 1  | 2   | 3    | 4       | 5            |         |
|                                       |          | A    |           | Torque converter - type CF 10000 MS. 390   |     |      |         |              |         |
|                                       |          |      |           | This item is supplied by the Transmission Division to their Transmission Application Scheme (T.A.S.) 1145. |     |      |         |              |         |
|                                       |          | B    | LC 2507   | Orifice filter L.O.P. LC. 5411 Section 8820  |     |      |         |              | 1       |
|                                       |          | B    | LC 3749   | Clip - orifice filter  |     |      |         |              | 1       |
|                                       |          | B    | LC 1299   | Bush - clip  |     |      |         |              | 1       |
|                                       |          |      |           | Included upon the above T.A.S but incorporated in other groups of this L.O.P. are :-                       |     |      |         |              |         |
|                                       |          |      | GROUP 632 | LC 1921 Charge pump Section 8800   |     |      |         |              |         |
|                                       |          |      | GROUP 635 | LC 1786 Cooler Section 8830  |     |      |         |              |         |
|                                       |          |      | GROUP 638 | LC 3822 Fluid filter Section 8810  |     |      |         |              |         |
|                                       |          |      | GROUP 640 | LC 3911 Instruments Section 8850   |     |      |         |              |         |
|                                       |          |      | GROUP 641 | LC 4287 Oil pipes Section 8840   |     |      |         |              |         |
|                                       |          |      |           | All the above items are supplied against T.A.S. 1145   |     |      |         |              |         |
|                                       |          |      | UF 1656   | Setscrew .500 dia. by 1.500 clutch to flywheel   |     |      |         |              | 8       |
|                                       |          |      | UF 1605   | Setscrew .437 dia. by 1.375 transmission to adaptor ring   |     |      |         |              | 12      |
|                                       |          |      | UF 5111   | Washer - grover .500 i/d   |     |      |         |              | 8       |
|                                       |          |      | UF 5110   | Washer - grover .437 i/d   |     |      |         |              | 12      |
| Items marked + not supplied as spares |          |      |           | Compiled   | DWN | Date | 8.2.63. | No. of pages | 1       |
| Alteration O.E.L.                     |          |      |           | Notes  |     |      |         |              |         |
|                                       |          |      |           | A For spares see Converter Spares Book   |     |      |         |              |         |
|                                       |          |      |           | B Supplied by Transmission Division to their T.A.S 1145  |     |      |         |              |         |
| Scheme No.                            |          |      |           |  |     |      |         |              |         |

*SP*







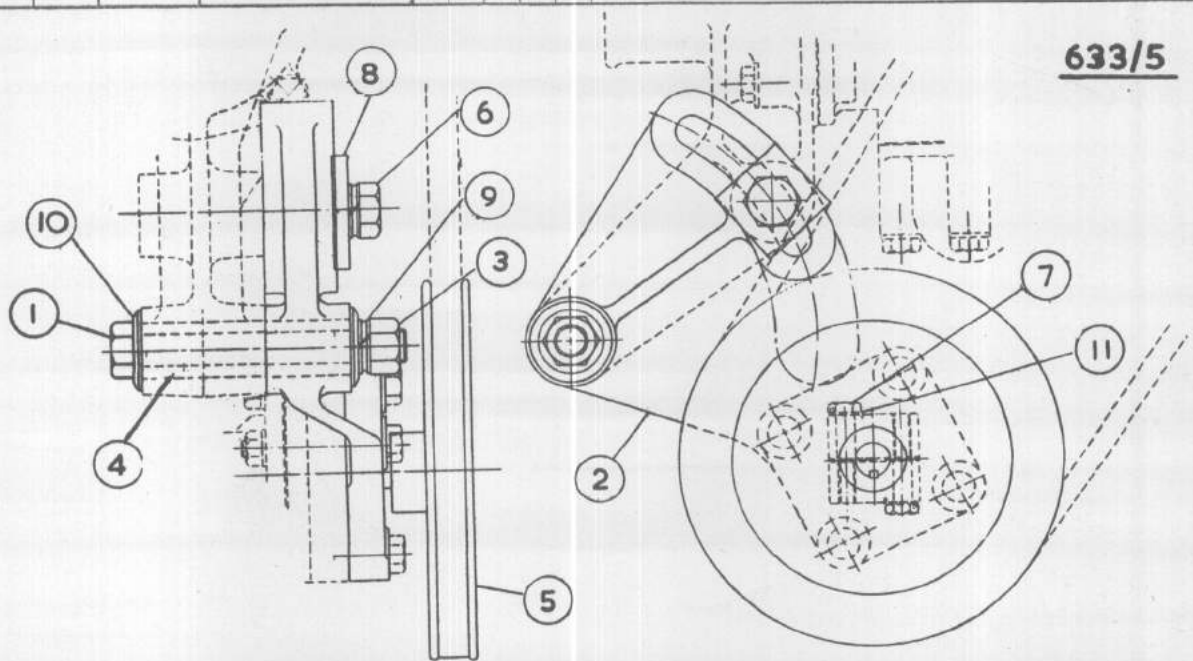
# ROLLS-ROYCE LIMITED 'C' RANGE ENGINES

Group 633/5M

Group Title TORQUE CONVERTER CHARGE PUMP MOUNTING

Page 1 Issue 1

| Alteration O.E.L. No. | Item No. | Note | Part No. | Description                                    |   |   |   |   | No. Off |
|-----------------------|----------|------|----------|--|---|---|---|---|---------|
|                       |          |      |          | 1  | 2 | 3 | 4 | 5 |         |
|                       | 1        |      | UF 1669  | Bolt - pivot .500 dia. by 5.00                 |   |   |   |   | 1       |
|                       | 2        |      | OE 11261 | Bracket mounting                               |   |   |   |   | 1       |
|                       | 3        |      | UF 4357  | Nut - plate - .559 dia.                        |   |   |   |   | 1       |
|                       | 4        |      | OE 13365 | Pivot pin                                      |   |   |   |   | 1       |
|                       | 5        |      | OE 22066 | Pulley   |   |   |   |   | 1       |
|                       | 6        |      | UF 1662  | Setscrew - bracket adjusting .500 dia. by 2.50 |   |   |   |   | 1       |
|                       | 7        |      | UF 1455  | Setscrew - pulley to shaft .259 dia. by 1.125  |   |   |   |   | 2       |
|                       | 8        |      | OE 4000  | Serrated washer                                |   |   |   |   | 1       |
|                       | 9        |      | UF 5111  | Washer - grover .500 i/d                       |   |   |   |   | 2       |
|                       | 10       |      | KB 3909  | Washer - plain .500 i/d                        |   |   |   |   | 2       |
|                       | 11       |      | KU 10006 | Washer - tab .250 i/d                          |   |   |   |   | 2       |
|                       |          |      |          |  |   |   |   |   |         |
|                       |          |      |          |  |   |   |   |   |         |



|                                       |          |    |       |          |              |   |
|---------------------------------------|----------|----|-------|----------|--------------|---|
| Items marked + not supplied as spares | Compiled | GP | Date  | 21.9.64. | No. of pages | 1 |
| Alteration O.E.L.                     |          |    | Notes |          |              |   |
|                                       |          |    |       |          |              |   |
|                                       |          |    |       |          |              |   |
| Scheme No.                            |          |    |       |          |              |   |





# ROLLS-ROYCE LIMITED 'C' RANGE ENGINES

Group 636/36M

Page 1 Issue 2

Group Title

TORQUE CONVERTER COOLANT PIPES

| Alteration<br>O.E.L<br>No.            | Item<br>No. | Note | Part No. | Description                      |    |      |           |              | No.<br>Off |
|---------------------------------------|-------------|------|----------|----------------------------------|----|------|-----------|--------------|------------|
|                                       |             |      |          | 1                                | 2  | 3    | 4         | 5            |            |
|                                       | 1           |      | OE 17902 | Adaptor                          |    |      |           |              | 1          |
|                                       | 2           |      | UF 1502  | Bolt .312 dia. by .750           |    |      |           |              | 1          |
|                                       | 3           |      | OE 9337  | Bracket                          |    |      |           |              | 1          |
|                                       | 4           |      | OE 2283  | Clip - hose                      |    |      |           |              | 8          |
|                                       | 5           |      | OE 9276  | Clip - pipe                      |    |      |           |              | 1          |
|                                       | 6           |      | OE 19889 | Cover                            |    |      |           |              | 1          |
|                                       | 7           |      | KB 6364  | Hose 2.00 dia.                   |    |      |           |              | 4          |
|                                       | 8           |      | OE 20003 | joint                            |    |      |           |              | 1          |
|                                       | 9           |      | UF 4354  | Nut - plain .312 dia.            |    |      |           |              | 1          |
|                                       | 10          |      | OE 19891 | Pipe - cooler to engine          |    |      |           |              | 1          |
|                                       | 11          |      | 1400087  | + Insert helicoil                |    |      |           |              | 2          |
|                                       | 12          |      | OE 28765 | Pipe assembly - engine to cooler |    |      |           |              | 1          |
|                                       |             |      | OE 2510  | + Piece number tab               |    |      |           |              | 1          |
|                                       |             |      | OE 1369  | + Stiffener                      |    |      |           |              | 2          |
|                                       | 13          |      | OE 27741 | Pipe assembly - vent             |    |      |           |              | 1          |
|                                       |             |      | OG 2151  | + Nipple                         |    |      |           |              | 2          |
|                                       |             |      | OG 2150  | + Nut                            |    |      |           |              | 2          |
|                                       |             |      | OE 2510  | + Piece number tab               |    |      |           |              | 1          |
|                                       | 14          |      | UF 1504  | Setscrew .312 dia. by 1.000      |    |      |           |              | 2          |
|                                       | 15          |      | UF 1552  | Setscrew .375 dia. by 7.50       |    |      |           |              | 1          |
|                                       |             |      |          |                                  |    |      |           |              |            |
|                                       |             |      |          |                                  |    |      |           |              |            |
|                                       |             |      |          |                                  |    |      |           |              |            |
| Items marked + not supplied as spares |             |      |          | Compiled                         | GP | Date | 20. 5. 64 | No. of pages | 2          |
| Alteration O.E.L.                     |             |      |          | Notes                            |    |      |           |              |            |
| 10925                                 |             |      |          |                                  |    |      |           |              |            |
|                                       |             |      |          |                                  |    |      |           |              |            |
|                                       |             |      |          |                                  |    |      |           |              |            |
| Scheme No.                            |             |      |          |                                  |    |      |           |              |            |



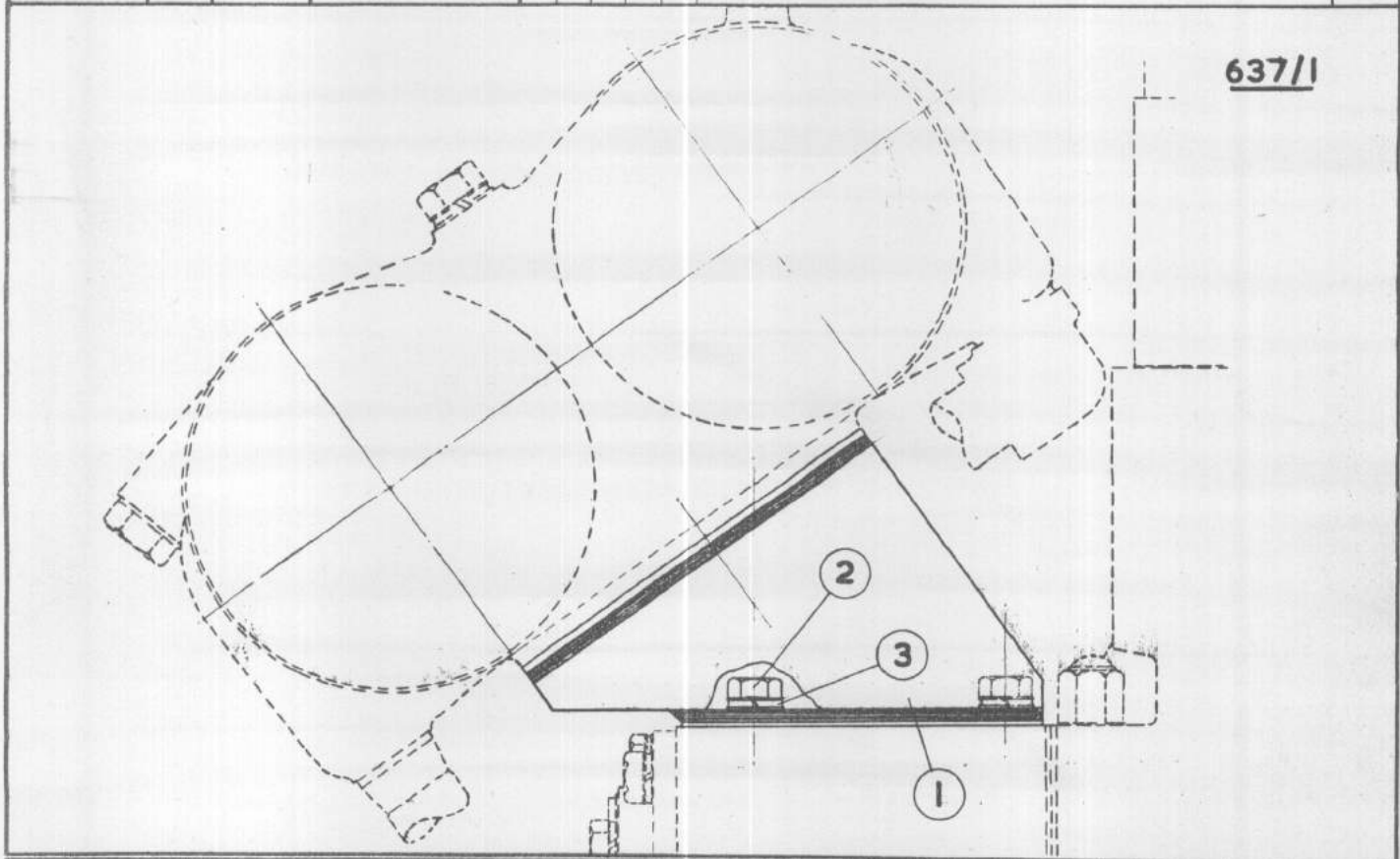


# ROLLS-ROYCE LIMITED 'C' RANGE ENGINES

Group 637/1M  
 Page 1 Issue 1

Group Title TORQUE CONVERTER COOLER MOUNTING

| Alteration O.E.L No. | Item No. | Note | Part No. |   |   |   |   |   | Description                 | No. Off |
|----------------------|----------|------|----------|---|---|---|---|---|-----------------------------|---------|
|                      |          |      |          | 1 | 2 | 3 | 4 | 5 |                             |         |
|                      | 1        |      | OE 16000 |   |   |   |   |   | Bracket                     | 1       |
|                      | 2        |      | UF 1654  |   |   |   |   |   | Setscrew .500 dia. by 1.250 | 4       |
|                      | 3        |      | UF 5111  |   |   |   |   |   | Washer - grover .500 i/d    | 4       |
|                      |          |      |          |   |   |   |   |   |                             |         |
|                      |          |      |          |   |   |   |   |   |                             |         |
|                      |          |      |          |   |   |   |   |   |                             |         |
|                      |          |      |          |   |   |   |   |   |                             |         |
|                      |          |      |          |   |   |   |   |   |                             |         |
|                      |          |      |          |   |   |   |   |   |                             |         |
|                      |          |      |          |   |   |   |   |   |                             |         |
|                      |          |      |          |   |   |   |   |   |                             |         |
|                      |          |      |          |   |   |   |   |   |                             |         |
|                      |          |      |          |   |   |   |   |   |                             |         |
|                      |          |      |          |   |   |   |   |   |                             |         |



|                                       |  |  |  |          |    |               |                |
|---------------------------------------|--|--|--|----------|----|---------------|----------------|
| Items marked + not supplied as spares |  |  |  | Compiled | GP | Date 21.9.64. | No. of pages 1 |
| Alteration O.E.L.                     |  |  |  | Notes    |    |               |                |
|                                       |  |  |  |          |    |               |                |
|                                       |  |  |  |          |    |               |                |
| Scheme No.                            |  |  |  |          |    |               |                |











# ROLLS-ROYCE LIMITED 'C' RANGE ENGINES

Group 641/83M

Page 2 Issue 3

Group Title TORQUE CONVERTER OIL PIPES

| Alteration O.E.L. No.                 | Item No. | Note | Part No.   | Description  |     |      |           |              | No. Off |
|---------------------------------------|----------|------|------------|--|-----|------|-----------|--------------|---------|
|                                       |          |      |            | 1  | 2   | 3    | 4         | 5            |         |
|                                       | 9        |      | OE 17898   | Pipe assembly - orifice filter to tee piece        |     |      |           |              | 1       |
|                                       |          |      | OG 2151    | + Nipple   |     |      |           |              | 2       |
|                                       |          |      | OE 719     | + Nut  |     |      |           |              | 1       |
|                                       |          |      | OG 2150    | + Nut  |     |      |           |              | 1       |
|                                       |          |      | OE 2510    | + Piece number tab                                 |     |      |           |              | 1       |
|                                       | 10       |      | OE 16070   | Pipe assembly - cooler to orifice filter           |     |      |           |              | 1       |
|                                       |          |      | OG 2151    | + Nipple   |     |      |           |              | 2       |
|                                       |          |      | OG 2150    | + Nut  |     |      |           |              | 2       |
|                                       |          |      | OE 2510    | + Piece number tab                                 |     |      |           |              | 1       |
|                                       |          |      | OD 7389    | + Tee piece  |     |      |           |              | 1       |
| 10211                                 | 11       |      | OE 30250   | Pipe assembly - converter to cooler                |     |      |           |              | 1       |
|                                       |          |      | OG 6571    | + Boss   |     |      |           |              | 1       |
| 10211                                 |          |      | OE 27891   | + Elbow  |     |      |           |              | 1       |
|                                       |          |      | OE 16521   | + Flange   |     |      |           |              | 2       |
|                                       |          |      | OE 2510    | + Piece number tab                                 |     |      |           |              | 1       |
|                                       | 12       |      | OE 20242   | Pipe assembly - cooler to converter                |     |      |           |              | 1       |
|                                       |          |      | OE 16521   | + Flange   |     |      |           |              | 1       |
|                                       |          |      | OE 16520   | + Flange   |     |      |           |              | 1       |
|                                       |          |      | OE 2510    | + Piece number tab                                 |     |      |           |              | 1       |
| 10382                                 | 13       |      | OE29872/22 | Pipe assembly - flexible - charge pump to bracket  |     |      |           |              | 1       |
| 10382                                 |          |      | OE 30890   | Connection - straight                              |     |      |           |              | 1       |
| 10382                                 |          |      | OE 30891   | Connection 90°                                     |     |      |           |              | 1       |
|                                       | 14       |      | UF 1570    | Setscrew .375 dia. by 4.00-bracket to rocker cover |     |      |           |              | 2       |
| Items marked + not supplied as spares |          |      |            | Compiled   | CMW | Date | 25.10.63. | No. of pages | 3       |
| Alteration O.E.L.                     |          |      |            | Notes  |     |      |           |              |         |
|                                       |          |      |            |  |     |      |           |              |         |
|                                       |          |      |            |  |     |      |           |              |         |
|                                       |          |      |            |  |     |      |           |              |         |
| Scheme No.                            |          |      |            |  |     |      |           |              |         |



ROLLS-ROYCE LIMITED 'C' RANGE ENGINES

Group 641/141M  
Page 1 Issue 1

Group Title TORQUE CONVERTER OIL PIPES

| Alteration O.E.L No. | Item No. | Note | Part No. | Description |          |        |           |              | No. Off |
|----------------------|----------|------|----------|-------------|----------|--------|-----------|--------------|---------|
|                      |          |      |          | 1           | 2        | 3      | 4         | 5            |         |
|                      | 1        |      | UF 1559  | Bolt        | .375     | dia.   | by        | 1.75         | 2       |
|                      | 2        |      | OE 27742 | Bracket     |          |        |           |              | 1       |
|                      | 3        |      | OE 27820 | Distance    | piece    |        |           |              | 2       |
|                      | 4        |      | OE 31778 | Elbow       | -        | charge | pump      |              | 1       |
|                      |          |      | OE 28657 | Joint       | -        | flange |           |              | 4       |
|                      | 5        |      | UF 4355  | Nut         | -        | plain  | .375      | di a.        | 2       |
|                      | 6        |      | ST 16582 | Nut         | -        | lock   | .625      | dia. - union | 1       |
|                      | 7        |      | OE 32984 | Pipe        | assembly | -      | bracket   | to converter | 1       |
|                      |          |      | OG 2151  | + Nipple    |          |        |           |              | 2       |
|                      |          |      | OG 2150  | +Nut        |          |        |           |              | 2       |
|                      |          |      | OE 2510  | + Piece     | number   | tab    |           |              | 1       |
|                      |          |      | OE 31836 | + Tee       | piece    |        |           |              | 1       |
|                      | 8        |      | OE 19227 | Pipe        | assembly | -      | converter | bleed        | 1       |
|                      |          |      | OG 2151  | + Nipple    |          |        |           |              | 2       |
|                      |          |      | OE 719   | + Nut       |          |        |           |              | 1       |
|                      |          |      | OG 2150  | + Nut       |          |        |           |              | 1       |
|                      |          |      | OE 2510  | + Piece     | number   | tab    |           |              | 1       |

|                                       |  |  |  |          |     |      |        |              |   |
|---------------------------------------|--|--|--|----------|-----|------|--------|--------------|---|
| Items marked + not supplied as spares |  |  |  | Compiled | GRE | Date | 5.5.64 | No. of pages | 3 |
| Alteration O.E.L.                     |  |  |  | Notes    |     |      |        |              |   |
|                                       |  |  |  |          |     |      |        |              |   |
|                                       |  |  |  |          |     |      |        |              |   |
|                                       |  |  |  |          |     |      |        |              |   |
| Scheme No.                            |  |  |  |          |     |      |        |              |   |

ROLLS-ROYCE LIMITED 'C' RANGE ENGINES

|       |           |
|-------|-----------|
| Group | 641/141M  |
| Page  | 2 Issue 1 |

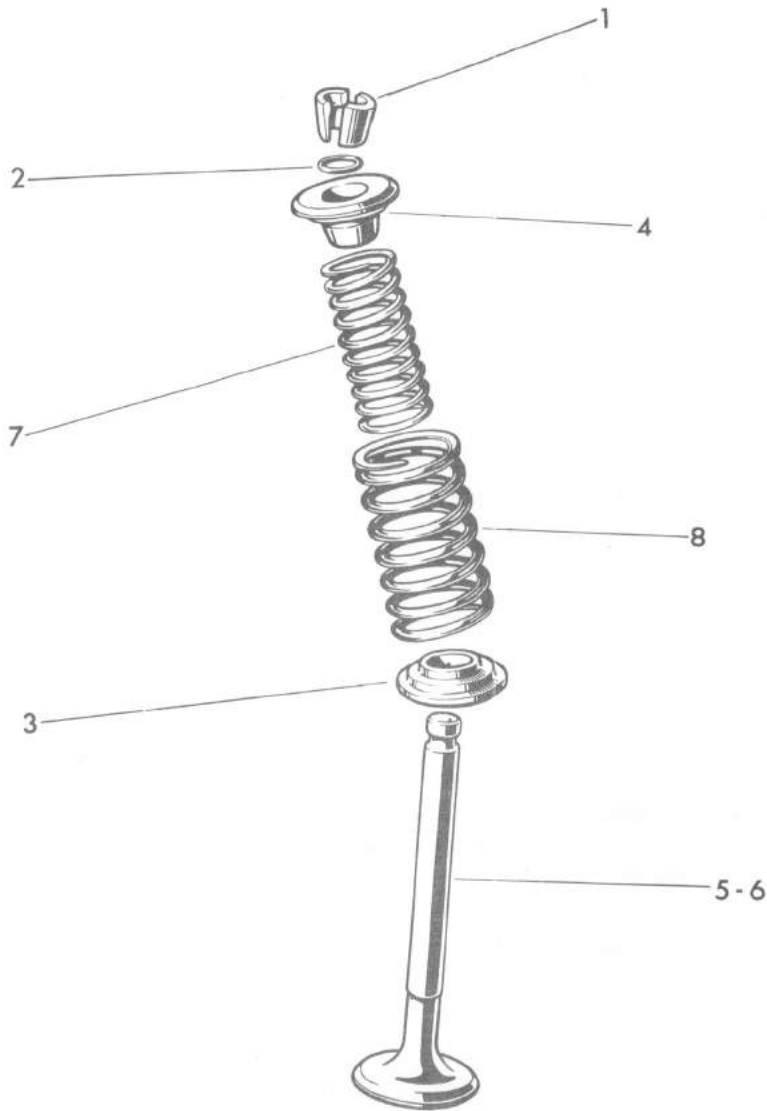
Group Title TORQUE CONVERTER OIL PIPES

| Alteration O.E.L. No.                 | Item No. | Note | Part No.    | Description   |     |      |        |              | No. Off |
|---------------------------------------|----------|------|-------------|---|-----|------|--------|--------------|---------|
|                                       |          |      |             | 1   | 2   | 3    | 4      | 5            |         |
|                                       | 9        |      | OE 17898    | Pipe assembly - orifice filter to tee piece         |     |      |        |              | 1       |
|                                       |          |      | OG 2151     | + Nipple  |     |      |        |              | 2       |
|                                       |          |      | OE 719      | + Nut   |     |      |        |              | 1       |
|                                       |          |      | OG 2150     | + Nut   |     |      |        |              | 1       |
|                                       |          |      | OE 2510     | + Piece number tab                                  |     |      |        |              | 1       |
|                                       | 10       |      | OE 16070    | Pipe assembly - cooler to orifice filter            |     |      |        |              | 1       |
|                                       |          |      | OG 2151     | + Nipple  |     |      |        |              | 2       |
|                                       |          |      | OG 2150     | + Nut   |     |      |        |              | 2       |
|                                       |          |      | OE 2510     | + Piece number tab                                  |     |      |        |              | 1       |
|                                       |          |      | OD 7389     | + Tee piece   |     |      |        |              | 1       |
|                                       | 11       |      | OE 33232    | Pipe assembly - converter to cooler                 |     |      |        |              | 1       |
|                                       |          |      | OE 33228    | + Boss  |     |      |        |              | 1       |
|                                       |          |      | OE 27891    | + Elbow   |     |      |        |              | 1       |
|                                       |          |      | OE 16521    | + Flange  |     |      |        |              | 2       |
|                                       |          |      | OE 2510     | + Piece number tab                                  |     |      |        |              | 1       |
|                                       | 12       |      | OE 20242    | Pipe assembly - cooler to converter                 |     |      |        |              | 1       |
|                                       |          |      | OE 16521    | + Flange  |     |      |        |              | 1       |
|                                       |          |      | OE 16520    | + Flange  |     |      |        |              | 1       |
|                                       |          |      | OE 2510     | + Piece number tab                                  |     |      |        |              | 1       |
|                                       | 13       |      | OE 29872/22 | Pipe assembly - flexible - charge pump to bracket   |     |      |        |              | 1       |
|                                       |          |      | OE 30890    | Connection - straight                               |     |      |        |              | 1       |
|                                       |          |      | OE 30891    | Connection 90°                                      |     |      |        |              | 1       |
|                                       | 14       |      | UF 1570     | Setscrew .375 dia. by 4.00 -bracket to rocker cover |     |      |        |              | 2       |
| Items marked + not supplied as spares |          |      |             | Compiled  | GRE | Date | 5.5.64 | No. of pages | 3       |
| Alteration O.E.L.                     |          |      |             | Notes   |     |      |        |              |         |
|                                       |          |      |             |   |     |      |        |              |         |
|                                       |          |      |             |   |     |      |        |              |         |
|                                       |          |      |             |   |     |      |        |              |         |
| Scheme No.                            |          |      |             |   |     |      |        |              |         |

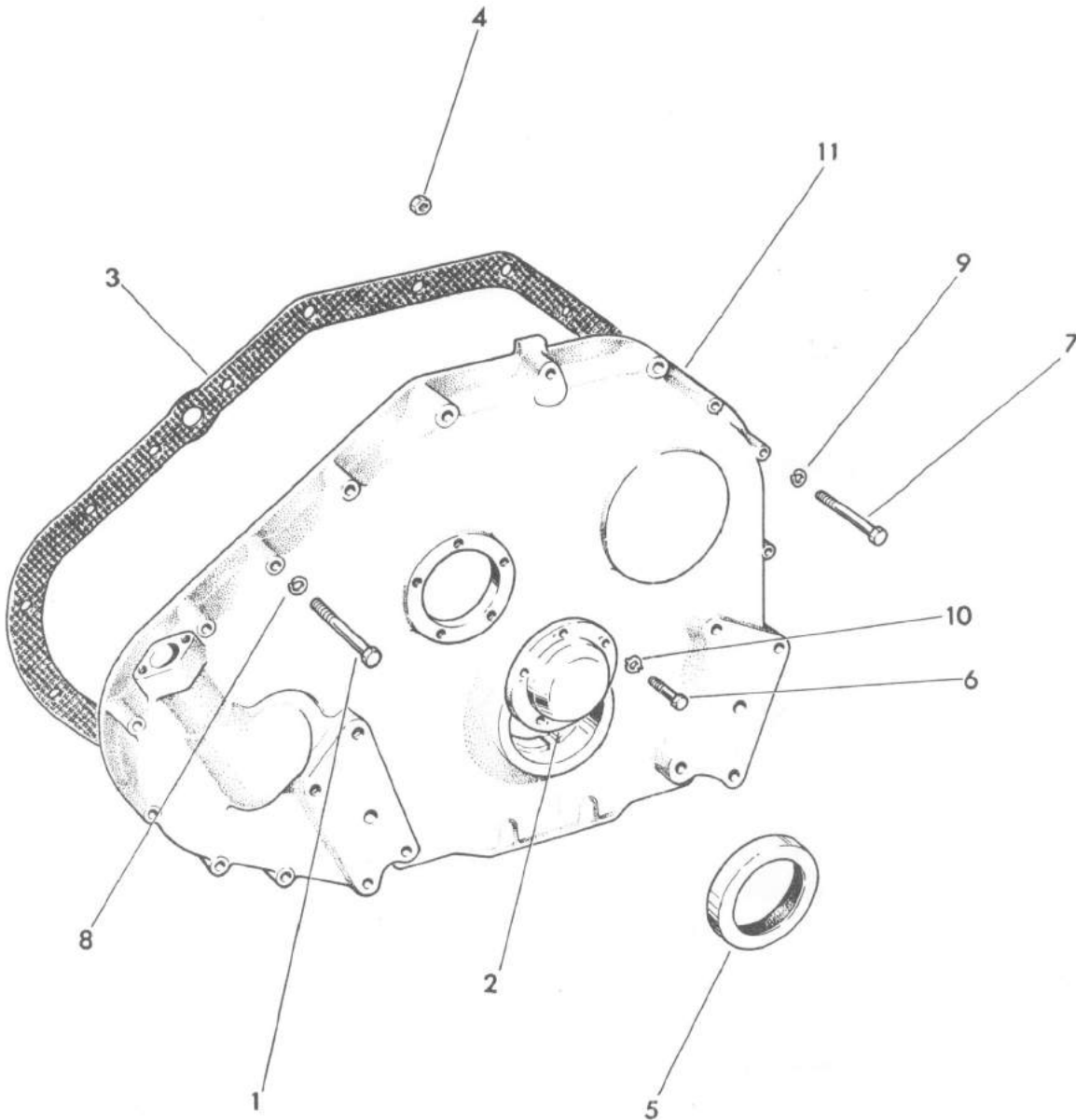






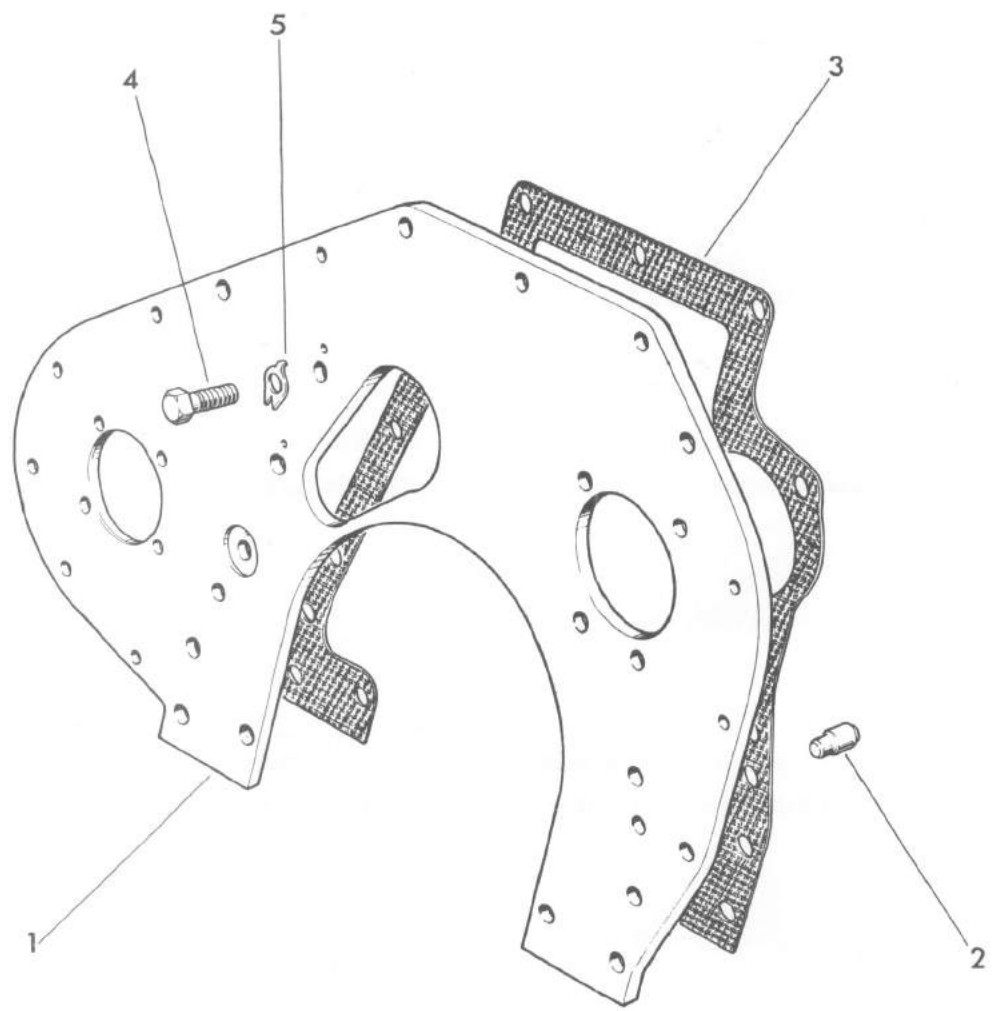






|          |       |      |            |               |   |
|----------|-------|------|------------|---------------|---|
| Compiled | P. H. | Date | 10. 6. 64. | No. of plates | 1 |
|----------|-------|------|------------|---------------|---|





|          |       |      |            |               |   |
|----------|-------|------|------------|---------------|---|
| Compiled | M. H. | Date | 29. 5. 64. | No. of plates | 1 |
|----------|-------|------|------------|---------------|---|



