

L900520.0.5
09/09/2020



Airfree® Lotus



Index

Safety Instructions	04
Installing and Connecting	05
Technical Characteristics	06
How does Airfree® Work?	07
Airfree® Description	07
Frequently Asked Questions	08
Warranty	10

Copyright 2020 Airfree® Produtos Electrónicos S.A. All Rights Reserved.

No part of this publication may be reproduced, photocopied, transmitted, transcribed, stored in a retrieval system, or translated into any language in any form or by any means without the express prior written consent of Airfree® Produtos Electrónicos S.A.



Read operator's manual before usage.



For indoor use only.



Double insulated electrical appliance.



When discarding this product, it must be sent to separate collection facilities for recovery and recycling. By separating this product from other household-type waste, the volume of waste sent to incinerators or land-fills will be reduced and natural resources will thus be conserved.

Περιεχόμενα

Οδηγίες Ασφαλείας	11
Εγκατάσταση και Σύνδεση	12
Τεχνικά Χαρακτηριστικά	13
Πώς δουλεύει το Airfree®	14
Περιγραφή του Airfree®	14
Συχνές Ερωτήσεις	15
Εγγύηση	17

Copyright 2020 Airfree® Produtos Electrónicos S.A. All Rights Reserved.

Κανένα μέρος αυτής της δημοσίευσης δεν μπορεί να αναπαραχθεί, να φωτοτυπηθεί, να μεταδοθεί, να μεταγραφεί, να αποθηκευτεί σε σύστημα ανάκτησης ή μεταφραστεί σε οποιαδήποτε γλώσσα σε οποιαδήποτε μορφή ή με οποιοδήποτε μέσο, χωρίς την προηγούμενη ρητή έγγραφη συναίνεση της Airfree® Produtos Electrónicos S.A.



Διαβάστε το εγχειρίδιο χρήσης πριν την λειτουργία.



Για εσωτερική χρήση μόνο.



Διπλής μόνωσης ηλεκτρική συσκευή.



Κατά την απόρριψη αυτού του προϊόντος, πρέπει να αποστέλλεται σε εγκαταστάσεις συλλογής για ανάκτηση και ανακύκλωση. Με το διαχωρισμό αυτού του προϊόντος από άλλα απόβλητα οικιακού τύπου, ο όγκος των αποβλήτων που αποστέλλονται σε αποτεφρωτήρες ή χωματερές θα μειωθεί και έτσι θα διατηρηθούν οι φυσικοί πόροι.

Index

Zasady bezpieczeństwa	18
Instalacja i podłączenie	19
Specyfikacja techniczna	20
Jak działa Airfree® ?	21
Airfree® Opis	21
FAQ - Najczęściej zadawane pytania	22
Gwarancja	24

Prawa 2018 Airfree® Productos Electrónicos S.A. Wszelkie prawa zastrzeżone.

Żadna z części tej publikacji nie może być powielana, kopiowana, przepisywana, przechowywana w katalogu informacji lub tłumaczona na inny język w żadnej formie bez wyjątku, bez uprzedniej zgody udzielonej przez Airfree® Productos Electrónicos S.A.



Przed użyciem zapoznaj się z instrukcją obsługi.



Tylko do użytku wewnętrznego.



Urządzenie posiada podwójną izolację.



Takie oznakowanie informuje, że sprzęt ten, po okresie jego użytkowania nie może być umieszczany łącznie z innymi odpadami pochodzącymi z gospodarstwa domowego. Użytkownik jest zobowiązany do oddania go prowadzącym punkty zbiórki zużytego sprzętu elektrycznego i elektronicznego. Prowadzący punkty zbiórki, w tym lokalne punkty zbiórki, sklepy oraz gminne jednostki, tworzą odpowiedni system umożliwiający oddanie tego sprzętu. Właściwe postępowanie ze zużytym sprzętem elektrycznym i elektronicznym przyczynia się do uniknięcia szkodliwych dla zdrowia ludzi i środowiska naturalnego konsekwencji, wynikających z obecności składników niebezpiecznych oraz niewłaściwego składowania i przetwarzania takiego sprzętu.

Safety Instructions



Airfree® is not intended for use by persons with reduced physical, sensory or mental capabilities, or lack of experience or knowledge. Children should be supervised to ensure that they do not play with the appliance.



Do not place your Airfree® in direct contact with water or liquids as it can cause an electric and harmful shock hazard and damage to the unit itself.



Do not obstruct Airfree® air outlets with items such as towels, clothing, curtains, as it will increase heating inside the ceramic core causing the device to shut off. If such condition persists a general cut-off system will cut power supply requiring replacement of the circuit board by an authorised dealer. This incident is not covered by the Airfree® warranty.



Do not attempt to open Airfree® or touch its internal components. Do not insert any objects as it may cause electric shock. Any attempt to open or tamper Airfree® will void the warranty.



To clean Airfree®, unplug it from the electric outlet and use a dry cloth to wipe off its surface. Do not attempt to open Airfree® to clean it inside which is not necessary.



Always keep Airfree® in its vertical position as shown in the picture, otherwise the unit will be shut off until it goes back to the vertical position. In models with Night Light option, the illumination top leds will become intermittent and the On/Off led will shut off.*



If the supply cord is damaged, it must be replaced by the manufacturer, its service agent or similarly qualified persons or any authorised warranty service shop to avoid potential hazard events. When returning your Airfree® for repair please make sure it is well protected preferably inside its original box, to avoid additional damages.



Airfree® shall not be placed near flammable and toxic products.

(*) Please read carefully the “Technical Characteristics“ in order to check which models incorporate the Night Light or multi-colour Night Light features.

Installing and Connecting



Plug the power cord into the nearest outlet. Make sure the surface is dry (never place Airfree® on wet floor or immerse it in water). Make sure the On/Off led is on. Adjust the Night Light intensity with the touch sensor. After 30 minutes the top lid should be warm.*



Place Airfree® on a flat surface preferably not exceeding 75 cm from the floor, not under furniture, shelves, or behind curtains as it will interfere with air flow and Airfree® efficiency in destroying microorganisms.



Check if the area is compatible with the unit capacity to achieve best unit performance. Using Airfree® in rooms larger than its capacity will greatly reduce its purifying capacity.



Airfree® must be continuously on in the same room, 24 hours a day. Nevertheless, temporarily removing it from the room will allow new microorganism contamination to grow but it will be destroyed when Airfree® is plugged in again. The longer the period without Airfree® the higher the new contamination in the room.



Airfree® is to be used preferably in rooms larger than 4 m² or 10 m³.



Rooms with air condition or ventilation will not affect the air sterilisation efficiency of your Airfree®. Same for Heating systems.



Airfree® can be placed in corridors but the air sterilisation effects will barely have any effect in connecting rooms.



Avoid place the unit near open doors or windows to prevent some of the sterilised air to exit the room.

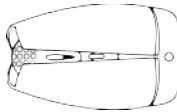


To open Airfree® Lotus' petals, press the top lid centre.



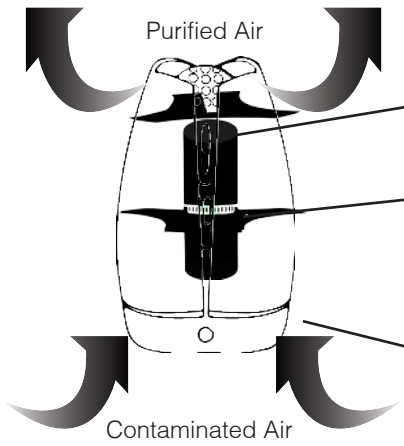
To close the petals, move them simultaneously towards the centre.

Technical Characteristics



Model	Lotus
Capacity	60 m ²
Electric Consumption	47 - 58 W
Voltage	220 - 240 V
Noise	Totally Silent
Weight	2,4 kg
Dimensions	Width: 19,5 cm Length: 19,5 cm Height: 33 cm
Colour	White
Multi-color Night Light	Yes
Change color	Touch the embossed touch sensor. Each touch a different color
Light intensity	Continuously touch the embossed touch sensor
Random mode	Stop at pink color

How does Airfree® Work?



Cooling Chamber
Cooled and clean air is delivered to the environment without significant change in room temperature and humidity.

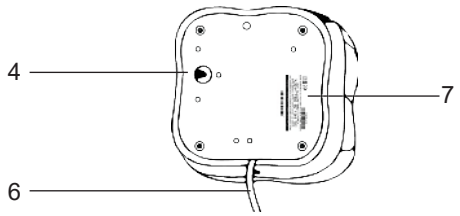
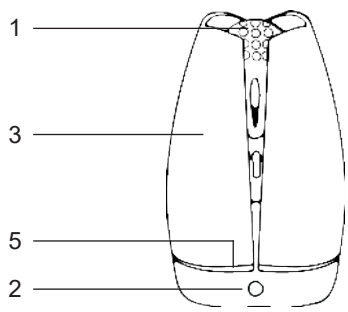
TSS™ Sterilising Ceramic Core
Inside the ceramic core 99.99% of all microorganisms are destroyed.

Air Inlets
Contaminated air enters Airfree® by air convection.

Regardless of how hazardous a virus, fungus or bacteria might be they are fully destroyed by the powerful heat inside the TSS™ ceramic core mini ducts. The heat inside the ceramic core forces sterilised air up to the heat exchanger causing air convection, which generates negative pressure underneath the ceramic core, so contaminated air is “sucked” in at Airfree® bottom air inlets in a continuous, silent, and efficient air flow.

Airfree® Description

- 1- Top lid with air outlets and multi-colour Night Light / Illumination*
- 2- Light intensity touch sensor / colour control touch sensor
- 3- Moving Petals
- 4- Base
- 5- Air inlets
- 6- Power cord
- 7- Serial number



The top Night Light does not interfere with the TSS™ air sterilisation process of your Airfree®.
(*) Please read carefully the “Technical Characteristics” in order to check which models incorporate the Night Light or multi-colour Night Light features.

Frequently Asked Questions

1. How do I know if Airfree® is no longer working?

Check the top lid, if cold the sterilisation system is not working. Please connect it to another outlet and make sure the unit is in its vertical position for at least 1 minute.

2. Are there any side effects?

No. Airfree®'s new technology uses heat to purify the air with meaningless heat contribution to the room. No side effects, no emissions, NO IONS, nor new particles are generated. Airfree® can be used in homes and offices, quietly, constantly, and efficiently purifying the air.

3. How do I shut the Night Light or the multi-colour Night Light off?***

Press the sensor touch button repeatedly to adjust the night light intensity or turn it off.

4. The top lights are blinking. What does that mean?*

On models with top lights it indicates that Airfree® is not correctly placed. Please make sure the device is in its vertical position.

5. Can I install Airfree® in my walking closet ?

Yes if larger than 2x2 meters (4 m² or 10 m³). Otherwise it might warm up the closet.

6. Can I use Airfree® in air conditioned rooms?

Yes.

7. Can I place Airfree® at the corridor to reach adjacent rooms?

No. Airfree® will just reduce air pollution in the corridor's area.

8. Can I place Airfree® in a closed room?

Yes. Please remember such a room must have at least 4 m² (10 m³).

9. Should I turn off Airfree® when I leave house?

To achieve best performance we recommend to keep Airfree® always on. Turning the unit off will stop the sterilisation process allowing the room contamination to grow.

10. Can I change Airfree® from one room to another?

Airfree® must always be plugged in the same room 24 hours a day. Airfree's patented technology works gradually so, when removing it to another room the contamination in the original room will start to increase.

11. Does CADR measure the effectiveness of the Airfree®?

Not at all. CADR is not designed to test the Airfree® technology. The AHAM seal (usually found on the back of an air cleaner's box) lists three Clean Air Delivery Rate (CADR) numbers: one for tobacco smoke, one for pollen and one for dust. The CADR indicates volume of filtered air delivered by an air cleaner. The reason why CADR is not designed for Airfree® is because Airfree® does not filter but destroys microorganisms instead, such reduction of bacteria, moulds, viruses and other microorganisms can only be measured after air sample incubation in a microbiology lab. Airfree® destroys (not trap or attract to other surface) any microorganism regardless of how small they might be. 99.99% of all microorganisms are fully destroyed when passing through the Airfree® patented ceramic core.

12. What happens if Airfree® is disconnected or there was a black out?

Airfree® will take approximately the same time to recover the previous reduced contamination level.

13. Does Airfree® eliminate bacteria and viruses?

Yes. Unlike the air filters in the market Airfree® is more efficient with the smallest microorganisms as they are easily carried by Airfree®'s airflow into the sterilising TSS™ ceramic core. Please check the independent bacteria and virus tests at our website.

14. How does Airfree® destroy dust mites?

Mould reduction in the environment causes reduction in the mould dependant dust mite population. Airfree® also destroys the harmful toxins and fungus freed into the air by dust mite feces and skeletons that trigger respiratory allergies and asthma.

15. How does Airfree® eliminate fungi and moulds?

As mentioned before, Airfree® eliminates airborne microorganisms there included moulds, fungi and spores. By eliminating spores new mould colonies are unlikely to develop, representing less future airborne mould spores. Please check the independent mould tests at our website.

16. . How does Airfree® destroy viruses?

Those microscopic microorganisms are easily eliminated inside Airfree®'s ceramic core capillaries. Contrary to other technologies the smallest the microorganisms the easiest they are destroyed inside the TSS™ ceramic core capillaries. Please check the independent virus test at our website.

17. Does Airfree® make any humidity level change in the room?

No.

18. Does Airfree® release any gas or chemical product?

No. Airfree®'s sterilisation process is natural. Please check our website for conclusive tests regarding particles and ozone.

19. Does Airfree® heat up a room?

Airfree® does not make any noticeable increase in the room temperature. Just for comparison two Airfree® devices plugged in the same room will contribute as much heat as one 70 kg adult.

20. Does Airfree® need filter replacement?

No.

21. Does Airfree® Night Light interfere with Airfree® sterilising function?*

No. The Night Light has an aesthetic effect and may simply be used as a Night Light in children or newborn bedrooms.

22. Where do the microorganisms go after they are destroyed?

All living microorganisms are basically composed by carbon, oxygen and nitrogen. Since Airfree® reaches nearly 200 °C, all the components decompose into carbon dioxide (the same product released by our respiration) and water. Some carbon (or microscopic ashes) may remain inside the device or over the top lid during the process. It should be noted that all happens in a microscopic level, so all those residues are a very small fraction of the microorganisms original microscopic size, in other words meaningless.

23. How does the multi-colour Night Light work?*

This function offers 10 adjustable light colours, which are Red, Rose, Violet, Blue, Light Blue, Green, Yellow Orange, Brown and Grey. Choose your favorite Night Light colour and its intensity or simply choose for the random mode and let the colours change softly.

(*) Please read carefully the “Technical Characteristics“ in order to check which models incorporate the Night Light or multi-colour Night Light features. () Please read carefully the “Airfree® Description“ to confirm the correct location of the colour control / light intensity touch sensor.**

Warranty

This product is warranted by AIRFREE® PRODUCTS, to the original purchaser to be free from defects in material and workmanship under proper use for a period of two years from date of purchase. During this period, and upon presentation of purchase invoice, this product will be repaired or replaced with same or similar model without charges for parts or labor at distributor address. To be eligible for the warranty, please keep your purchase receipt. We advise you to register your device warranty at www.airfree.com. To obtain warranty service, please send the device with sales receipt or invoice to the distributor. This warranty does not apply to a product that has been misused, abused, or altered without limiting the afore mentioned, bending or dropping the unit, defects in the house electrical installation or fluctuating power levels that are considered to be defects resulting from misuse or abuse. AIRFREE® PRODUCTS and its affiliates or wholesalers do not make any specific claim as to medicinal uses of this product nor does the manufacturer warrants that the equipment prevents diseases.

NEITHER THIS WARRANTY NOR ANY WARRANTY, EXPRESSED OR IMPLIED, INCLUDING IMPLIED WARRANTIES OR MERCHANTABILITY, SHALL EXTEND BEYOND THE WARRANTY PERIOD. NO RESPONSIBILITY IS ASSUMED FOR ANY INCIDENTAL OR CONSEQUENTIAL DAMAGES, SOME STATES DO NOT ALLOW LIMITATION ON HOW LONG AN IMPLIED WARRANTY LASTS; SOME STATES DO NOT ALLOW THE EXCLUSION OR LIMITATION OF INCIDENTAL OR CONSEQUENTIAL DAMAGES, SO THE ABOVE LIMITATIONS OR EXCLUSIONS MAY NOT APPLY TO YOU. AIRFREE® PRODUCTS HEREBY SPECIFICALLY DISCLAIMS ALL EXPRESSED WARRANTIES NOT OTHERWISE SET ORTH HEREIN AND ANY IMPLIED WARRANTIES OR MERCHANTABILITY OR IMPLIED WARRANTIES FOR FITNESS FOR A PARTICULAR PURPOSE. THERE ARE NO WARRANTIES WHICH EXTEND BEYOND THE DESCRIPTION OF THE FACE HEREOF. This warranty gives you specific legal rights; you may have other rights, which vary from state to state, and country to country.

*AIRFREE® PRODUCTS, Julieta Ferrão 10, 9th Floor, 1600 -131 Lisbon, Portugal

Phone: 351 - 213 156 222

Fax.: 351 - 213 516 228

Web: www.airfree.com

Email: info@airfree.com

Οδηγίες Ασφαλείας



Το Airfree® δεν προορίζεται για χρήση από άτομα με μειωμένες σωματικές, αισθητηριακές ή διανοητικές ικανότητες ή έλλειψη εμπειρίας ή γνώσης. Τα παιδιά θα πρέπει να επιβλέπονται για να εξασφαλίσετε ότι δεν παίζουν με τη συσκευή.



Μην τοποθετείτε το Airfree® σε άμεση επαφή με νερό ή υγρά, καθώς μπορεί να προκληθεί ηλεκτροπληξία και βλάβη στη ίδια την συσκευή.



Μην καλύπτετε τις εξόδους αέρα του Airfree® με αντικείμενα όπως πετσέτες, ενδύματα, κουρτίνες, διότι θα αναπτυχθεί υψηλή θερμοκρασία στο εσωτερικό του κεραμικού πυρήνα προκαλώντας την απενεργοποίηση της συσκευής. Εάν συμβεί αυτό θα διακοπεί η παροχή ρεύματος και απαιτείται η αντικατάσταση του κυκλώματος από εξουσιοδοτημένο αντιπρόσωπο. Αυτό το περιστατικό δεν καλύπτεται στην εγγύηση από την Airfree®.



Μην επιχειρήσετε να ανοίξετε το Airfree® ή να αγγίξετε τα εσωτερικά του εξαρτήματα. Μην εισάγετε αντικείμενα καθώς μπορεί να προκληθεί ηλεκτροπληξία. Οποιαδήποτε προσπάθεια ανοίγματος ή παραβίασης θα ακυρώσει την εγγύηση του Airfree®.



Για να καθαρίσετε το Airfree®, βγάλτε το από το ρεύμα και χρησιμοποιήστε ένα καθαρό πανί για την επιφάνειά του. Μην επιχειρήσετε να ανοίξετε το Airfree® για να το καθαρίσετε από μέσα μιας και δεν είναι απαραίτητο.



Διατηρείτε πάντα το Airfree® σε κάθετη θέση όπως φαίνεται στο σκίτσο, διαφορετικά η συσκευή θα απενεργοποιηθεί έως ότου επανέλθει σε κάθετη θέση. Στα μοντέλα με Night Light (Φωτισμό Νυκτός), τα Led φωτισμού στην κορυφή θα αναβοσβήνουν και η λυχνία On/Off θα σβήσει.*



Εάν το καλώδιο τροφοδοσίας καταστραφεί, πρέπει να αντικατασταθεί από τον κατασκευαστή, τον εξουσιοδοτημένο αντιπρόσωπο ή από άτομα με παρόμοια ειδικευση ή από οποιοδήποτε εξουσιοδοτημένο κατάστημα εγγύησης, προκειμένου να αποφευχθούν πιθανά συμβάντα κινδύνου. Όταν επιστρέφете το Airfree® για επισκευή, βεβαιωθείτε ότι είναι καλά προστατευμένο κατά προτίμηση μέσα στο αρχικό κουτί του, για να αποφύγετε πρόσθετες ζημιές.



Το Airfree® δεν πρέπει να τοποθετείται κοντά σε εύφλεκτα και τοξικά προϊόντα.

(* Παρακαλούμε να διαβάσετε προσεκτικά τα “Τεχνικά Χαρακτηριστικά” για να ελέγξετε ποια μοντέλα ενσωματώνουν Φωτισμό Νυκτός (Night Light) ή πολύχρωμο Φωτισμό Νυκτός (multi-colour Night Light).

Εγκατάσταση και Σύνδεση



Τοποθετήστε το καλώδιο τροφοδοσίας στην κοντινότερη πρίζα. Σιγουρευτείτε ότι η επιφάνεια είναι στεγνή (ποτέ να μην τοποθετείτε τη συσκευή σε υγρό δάπεδο ή την βυθίσετε στο νερό). Βεβαιωθείτε ότι η Ενδεικτική λυχνία LED, ενεργοποίησης / απενεργοποίησης είναι αναμμένη. Ρυθμίστε την ένταση φωτισμού νυκτός με τον αισθητήρα αφής. Μετά από 30 λεπτά το πάνω καπάκι πρέπει να είναι ζεστό.*



Τοποθετήστε το Airfree® σε επίπεδη επιφάνεια χωρίς να υπερβαίνει τα 75 εκατοστά από το δάπεδο, όχι κάτω από έπιπλα και ράφια, όχι πίσω από κουρτίνες γιατί θα μειωθεί η ροή αέρα και η δυνατότητα του Airfree® να καταστρέψει τους μικροοργανισμούς.



Ελέγξτε εάν η περιοχή είναι συμβατή με την δυναμική κάλυψης της συσκευής για την βέλτιστη απόδοση. Χρησιμοποιώντας το Airfree® σε δωμάτια μεγαλύτερα της δυναμικής του μειώνεται η απολυμαντική του απόδοση.



Το Airfree® πρέπει να λειτουργεί συνεχώς στο ίδιο δωμάτιο, 24 ώρες την ημέρα. Παρόλα αυτά, η προσωρινή απομάκρυνσή του από το δωμάτιο θα επιτρέψει την εμφάνιση νέας μόλυνσης από μικροοργανισμούς, αλλά θα καταστραφεί όταν το Airfree® συνδεθεί ξανά. Όσο μεγαλύτερη είναι η περίοδος χωρίς το Airfree®, τόσο μεγαλύτερη είναι η νέα μόλυνση στο δωμάτιο.



Το Airfree® προορίζεται για χρήση σε δωμάτια κατά προτίμηση μεγαλύτερα από 4 m² ή 10 m³.



Ο κλιματισμός ή ο εξαερισμός ενός δωματίου δεν επηρεάζει την αποτελεσματικότητα αποστείρωσης του αέρα του Airfree®. Το ίδιο ισχύει και για τα συστήματα θέρμανσης.



Το Airfree® μπορεί να τοποθετηθεί σε διαδρόμους, αλλά τα αποτελέσματα αποστείρωσης του αέρα θα έχουν ελάχιστη επίδραση στα συνδεδεμένα δωμάτια.



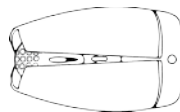
Αποφύγετε να τοποθετήσετε τη μονάδα κοντά σε ανοιχτές πόρτες ή παράθυρα για να αποφύγετε την έξοδο του αποστειρωμένου αέρα από το δωμάτιο.



Για να ανοίξετε τα πέταλα του Airfree® Lotus, πατήστε στο κέντρο του πάνω μέρους του καπακιού.

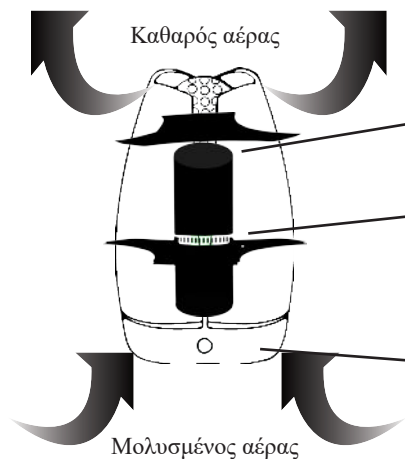


Για να κλείσετε τα πέταλα, μετακινήστε τα ταυτοχρόνως προς το κέντρο.



Μοντέλο	Lotus
Κάλυψη χώρου	60 m ²
Κατανάλωση ενέργειας	47 - 58 W
Τάση ρεύματος	220 - 240 V
Θόρυβος	Εντελώς αθόρυβο
Βάρος	2,4 kg
Διαστάσεις	πλάτος: 19,5 εκ μήκος: 19,5 εκ ύψος: 33 εκ
Χρώμα	Λευκό
Πολύχρωμο νυχτερινό φως	Yes
Αλλαγή χρώματος	Αγγίξτε τον ανάγλυφο αισθητήρα αφής. Κάθε άγγιγμα διαφορετικού χρώματος
Ελαφριά ένταση	Αγγίξτε συνεχώς τον ανάγλυφο αισθητήρα αφής
Τυχία λειτουργία	Σταματήστε σε ροζ χρώμα

Πώς δουλεύει το Airfree®



Θάλαμος ψύξης

Ο ψυχρός και καθαρός αέρας διοχετεύεται στον περιβάλλοντα χώρο χωρίς σημαντική αλλαγή στην θερμοκρασία και στην υγρασία του χώρου.

TSS™ Κεραμικός πυρήνας αποστείρωσης

Οι μικροοργανισμοί καταστρέφονται στο εσωτερικό του κεραμικού πυρήνα των μικροαγωγών.

Είσοδοι αέρα

Ο μολυσμένος αέρας εισέρχεται στο Airfree® μέσω συναγωγής

Ανεξάρτητα από το πόσο επικίνδυνα μπορεί να είναι ένας ιός, ένας μύκητας ή ένα βακτήριο, καταστρέφονται πλήρως από τη υψηλή θερμότητα μέσα στους αγωγούς του κεραμικού πυρήνα TSS™. Η θερμότητα μέσα στον κεραμικό πυρήνα ωθεί προς τα πάνω τον αποστειρωμένο αέρα μέχρι τον εναλλάκτη θερμότητας, προκαλώντας ροή αέρα μέσω συναγωγής, η οποία δημιουργεί αρνητική πίεση κάτω από τον κεραμικό πυρήνα, έτσι ο μολυσμένος αέρας “αναρροφάται” από τις εισόδους αέρα του Airfree® με μια συνεχή, αθόρυβη και αποδοτική ροή αέρα.

Περιγραφή του Airfree®

1- Καπάκι κορυφής με εξόδους αέρα και πολύχρωμο Φωτισμό νυκτός*

2- Αισθητήρας αφής, έντασης φωτισμού / επιλογής χρωμάτων

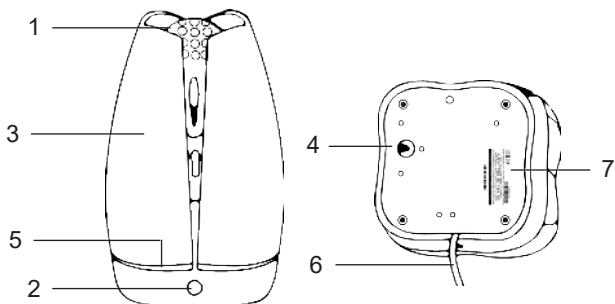
3- Κινούμενα πέταλα

4- Βάση

5- Είσοδοι αέρα

6- Καλώδιο τροφοδοσίας

7- Σειριακός αριθμός



Ο φωτισμός νυκτός στην πάνω πλευρά δεν παρεμβαίνει στη διαδικασία αποστείρωσης αέρα TSS™ του Airfree®. (*) Παρακαλούμε να διαβάσετε προσεκτικά τα “Τεχνικά Χαρακτηριστικά” για να ελέγξετε ποια μοντέλα ενσωματώνουν Φωτισμό Νυκτός (Night Light) ή πολύχρωμο Φωτισμό Νυκτός (multi-colour Night Light).

1. Πώς μπορώ να γνωρίζω εάν το Airfree® βρίσκεται σε λειτουργία;

Ελέγξτε το καπάκι στην κορυφή, εάν είναι κρύο το σύστημα αποστείρωσης δεν λειτουργεί. Συνδέστε το σε άλλη πρίζα και βεβαιωθείτε ότι η μονάδα βρίσκεται σε κάθετη θέση για τουλάχιστον 1 λεπτό.

2. Υπάρχουν παρενέργειες;

Όχι. Η νέα τεχνολογία του Airfree® χρησιμοποιεί υψηλή θερμοκρασία για να απολυμάνει τον αέρα με ασήμαντη διαρροή στον περιβάλλοντα χώρο. Δεν υπάρχουν παρενέργειες, δεν υπάρχουν εκπομπές, δεν υπάρχουν IONTA, και δεν παράγονται σωματίδια. Το Airfree® μπορεί να τοποθετηθεί σε σπίτια και γραφεία.

3. Πώς απενεργοποιώ το φωτισμός νυκτός ή τον πολύχρωμο φωτισμό νυκτός;*

Για να τα μειώσετε ή να τα σβήσετε, παρακαλούμε ελέγξτε “Εγκατάσταση και Σύνδεση” του παρόντος εγχειριδίου.

4. Ο φωτισμός νυκτός στην πάνω πλευρά αναβοσβήνει. Τι σημαίνει αυτό;*

Σε μοντέλα με φωτισμό στην πάνω πλευρά δηλώνει ότι το Airfree® δεν έχει τοποθετηθεί σωστά. Παρακαλώ σιγουρευτείτε Η συσκευή είναι σε κάθετη θέση.

5. Μπορώ να τοποθετήσω το Airfree® μέσα σε ένα βεστιαίο;

Ναι αν είναι μεγαλύτερο από 2 x 2 μέτρα (4 m² ή 10 m³). Διαφορετικά μπορεί να θερμανθεί η ντουλάπα.

6. Μπορώ να χρησιμοποιήσω το Airfree® σε κλιματιζόμενα δωμάτια;

Ναί.

7. Μπορώ να τοποθετήσω το Airfree® σε διαδρόμους για να απολυμάνει τον αέρα διπλανών χώρων;

Όχι. Το Airfree® απλά θα μειώσει την μόλυνση του αέρα στον χώρο του διαδρόμου.

8. Μπορώ να τοποθετήσω το Airfree® σε ένα κλειστό δωμάτιο;

Ναί. Θυμηθείτε ότι ένα τέτοιο δωμάτιο πρέπει να είναι τουλάχιστον 4 m² (10 m³).

9. Πρέπει να απενεργοποιώ το Airfree® όταν φεύγω από το σπίτι;

Για να επιτύχετε τις καλύτερες επιδόσεις, σας συνιστούμε να διατηρείτε πάντα το Airfree® ενεργό. Η απενεργοποίηση της μονάδας θα σταματήσει τη διαδικασία αποστείρωσης επιτρέποντας την αύξηση της μόλυνσης του δωματίου.

10. Μπορώ να μεταφέρω το Airfree® από το ένα δωμάτιο στο άλλο;

Το Airfree® πρέπει πάντα να λειτουργεί στο ίδιο δωμάτιο 24 ώρες την ημέρα. Η κατοχυρωμένη με δίπλωμα ευρεσιτεχνίας τεχνολογία της Airfree® λειτουργεί σταδιακά, οπότε όταν μεταφερθεί σε άλλο δωμάτιο, η μόλυνση στο αρχικό δωμάτιο θα αρχίσει να αυξάνεται.

11. Αξιολογεί το CADR την αποτελεσματικότητα του Airfree®;

Καθόλου. Το CADR δεν είναι σχεδιασμένο για να δοκιμάσει την τεχνολογία του Airfree®. Το αυτοκόλλητο/ένδειξη AHAM (Association of Home Appliance Manufacturers-βρίσκεται συνήθως στο πίσω μέρος ενός κουτιού καθαριστή αέρα) απαριθμεί τρεις Clean Air Delivery Rate (CADR) αριθμούς: έναν για τον καπνό τσιγάρου, έναν για τη γύρη και έναν για τη σκόνη. Το CADR δείχνει τον όγκο του φιλτραρισμένου αέρα που παράγεται από έναν καθαριστή αέρα. Ο λόγος για τον οποίο το CADR δεν έχει σχεδιαστεί για τα Airfree® συστήματα είναι επειδή τα Airfree® δεν φιλτράρουν αλλά καταστρέφουν τους μικροοργανισμούς αντ’ αυτού. Η μείωση των βακτηριδίων, μούχλας, ιών και άλλων μικροοργανισμών μπορούν να μετρηθούν μόνο μετά από επώαση του δείγματος αέρα σε ένα μικροβιολογικό εργαστήριο. Τα Airfree® καταστρέφουν κάθε μικροοργανισμό ανεξάρτητα από το πόσο μικρό μπορεί να είναι (δεν παγιδεύουν και δεν προσελκύουν σε άλλη επιφάνεια). Οι μικροοργανισμοί καταστρέφονται ολοσχερώς όταν διέρχονται από μικροαγωγούς με κεραμικό πυρήνα Airfree® κατοχυρωμένο με δίπλωμα ευρεσιτεχνίας.

12. Τι συμβαίνει όταν το Airfree® αποσυνδεθεί ή υπάρξει διακοπή ρεύματος;

Το Airfree® θα πάρει περίπου τον ίδιο χρόνο για να ανακτήσει το προηγούμενο επίπεδο μείωσης της μόλυνσης.

13. Το Airfree® απομακρύνει τα βακτήρια και τους ιούς;

Ναί. Σε αντίθεση με τα φίλτρα αέρα, το Airfree® είναι πιο αποδοτικό με τους μικρότερους μικροοργανισμούς, καθώς μεταφέρονται εύκολα με τη ροή αέρα του Airfree® στον κεραμικό πυρήνα αποστείρωσης TSS™. Ελέγξτε τις ανεξάρτητες δοκιμές βακτηρίων και ιών στον ιστότοπό μας.

14. Πώς το Airfree® καταστρέφει τα ακάρεα σκόνης;

Η μείωση της μούχλας στο περιβάλλον προκαλεί μείωση στον εξαρτώμενο πληθυσμό των ακάρεων της σκόνης. Το Airfree® καταστρέφει επίσης τις επιβλαβείς τοξίνες και τους μύκητες που απελευθερώνονται στον αέρα από τα περιττώματα των ακάρεων της σκόνης και τους σκελετούς που προκαλούν αναπνευστικές αλλεργίες και άσθμα.

15. Πώς εξουδετερώνει το Airfree® τους μύκητες και τη μούχλα;

Όπως αναφέρθηκε προηγουμένως, το Airfree® εξαλείφει τους αερομεταφερόμενους μικροοργανισμούς εκεί όπου υπάρχουν μύκητες και σπόροι. Με την εξάλειψη των σπόρων είναι απίθανο να αναπτυχθούν νέες αποικίες μούχλας, που σημαίνει λιγότερο μελλοντικά αερομεταφερόμενα σπόρια μούχλας. Παρακαλώ ελέγξτε τις ανεξάρτητες δοκιμές στην ιστοσελίδα μας.

16. Πώς το Airfree® καταστρέφει τους ιούς;

Αυτοί οι μικροσκοπικοί μικροοργανισμοί εξουδετερώνονται εύκολα μέσα στον κεραμικό πυρήνα του Airfree®. Σε αντίθεση με άλλες τεχνολογίες όσο μικρότεροι είναι οι μικροοργανισμοί τόσο πιο εύκολοι αυτοί καταστρέφονται μέσα στον κεραμικό πυρήνα TSS™. Ελέγξτε τις ανεξάρτητες δοκιμές ιών στον ιστότοπό μας.

17. Το Airfree® προκαλεί οποιαδήποτε αλλαγή της στάθμης της υγρασίας στο δωμάτιο;

Όχι.

18. Το Airfree® απελευθερώνει οποιοδήποτε αέριο ή χημικό προϊόν;

Όχι. Η διαδικασία αποστείρωσης της Airfree® είναι φυσική. Ελέγξτε την ιστοσελίδα μας για πειράματα σχετικά με σωματίδια και το όζον.

19. Το Airfree® αυξάνει τη θερμοκρασία στο χώρο;

Όχι. Το Airfree® δεν αυξάνει σημαντικά την θερμοκρασία του περιβάλλοντος χώρου. Ενδεικτικά αναφέρεται ότι δύο (2) συσκευές Airfree® σε λειτουργία θα συνέβαλαν στην αύξηση θερμοκρασίας ενός χώρου όσο ένας άνθρωπος 70 κιλών.

20. Το Airfree® χρειάζεται αντικατάσταση φίλτρου;

Όχι.

21. Ο φωτισμός νυκτός του Airfree® επηρεάζει την λειτουργία αποστείρωσης του Airfree®;*

Όχι. Ο φωτισμός νυκτός έχει αισθητική λειτουργία και μπορεί απλά να λειτουργήσει ως φωτάκι νυκτός για τα δωμάτια των παιδιών και των βρεφών.

22. Πού πηγαίνουν όλοι οι μικροοργανισμοί αφού καταστραφούν;

Όλοι οι ζωντανοί μικροοργανισμοί αποτελούνται κυρίως από άνθρακα, οξυγόνο και άζωτο. Αφού τα συστήματα Airfree® φθάνουν σχεδόν την θερμοκρασία των 200 ° C, όλα τα συστατικά αποσυντίθενται σε διοξείδιο του άνθρακα (το ίδιο αέριο που απελευθερώνεται από την αναπνοή μας) και νερό. Μικρή ποσότητα άνθρακα (ή μικροσκοπικές στάχτες) μπορούν να παραμείνουν στο εσωτερικό της συσκευής ή πάνω από την κορυφή του καπακιού κατά τη διάρκεια της διαδικασίας. Θα πρέπει να σημειωθεί ότι όλα αυτά συμβαίνουν σε ένα μικροσκοπικό επίπεδο, κι έτσι όλα αυτά τα υπολείμματα αποτελούν ένα πολύ μικρό κλάσμα των μικροοργανισμών του αρχικού μικροσκοπικού τους μεγέθους, με άλλα λόγια έχουν απειροελάχιστη παρουσία.

23. Πώς λειτουργεί ο πολύχρωμος Φωτισμός νυκτός (multi-colour Night Light); **

Αυτή η λειτουργία προσφέρει 10 ρυθμιζόμενα χρώματα φωτός, τα οποία είναι Κόκκινο, Ροζ, Βιολετί, μπλε, Ανοιχτό Μπλε, Πράσινο, Πορτοκαλί, Καφέ και Γκρι. Επιλέξτε το αγαπημένο σας χρώμα φωτισμού νυκτός και την έντασή του ή απλά επιλέξτε την τυχαία λειτουργία και αφήστε τα χρώματα να εναλλάσσονται απαλά.

(*) Παρακαλούμε να διαβάσετε προσεκτικά τα “Τεχνικά Χαρακτηριστικά” για να ελέγξετε ποια μοντέλα ενσωματώνουν Φωτισμό Νυκτός (Night Light) ή πολύχρωμο Φωτισμό Νυκτός (multi-colour Night Light). (***) Παρακαλούμε διαβάστε προσεκτικά την “παρουσίαση του Airfree®” για να επιβεβαιωθείτε για τη σωστή θέση του αισθητήρα αφής / ελέγχου χρώματος.

Εγγύηση

Αυτό το προϊόν καλύπτεται από εγγύηση από την AIRFREE® PRODUCTS, για τον αρχικό αγοραστή ώστε να μην παρουσιάζει ελαττώματα στο υλικό και την κατασκευή υπό κατάλληλη χρήση για μια περίοδο δύο ετών από την ημερομηνία αγοράς. Κατά τη διάρκεια αυτής της περιόδου, και με την προσκόμιση του τιμολογίου αγοράς, το προϊόν θα επισκευαστεί ή θα αντικατασταθεί με το ίδιο ή παρόμοιο μοντέλο χωρίς χρέωση για ανταλλακτικά ή εργασία στην διεύθυνση του διανομέα. Για να δικαιούστε την εγγύηση, παρακαλούμε να κρατήσετε την απόδειξη αγοράς σας. Σας συμβουλεύουμε να καταχωρήσετε την εγγύηση της συσκευής σας στη διεύθυνση www.airfree.com. Για να λάβετε υπηρεσία εγγύησης, παρακαλείσθε να στείλετε τη συσκευή με απόδειξη πώλησης ή τιμολόγιο στον διανομέα. Αυτή η εγγύηση δεν ισχύει για προϊόν που έχει καταστραφεί, κακοποιηθεί ή τροποποιηθεί χωρίς να παραβλέπεται το προαναφερθέν, κάμψη ή πτώση της μονάδας, ελαττώματα στην ηλεκτρική εγκατάσταση του σπιτιού ή επίπεδα διακύμανσης ισχύος που θεωρούνται ελαττώματα που προκύπτουν από κακή χρήση ή κακοποίηση. Η AIRFREE® PRODUCTS και οι θυγατρικές της ή οι χονδρέμποροι της δεν κάνουν καμία συγκεκριμένη αναφορά ως προς την ιατρική χρήση του προϊόντος και ούτε ο κατασκευαστής εγγυάται ότι το προϊόν αποτρέπει ή/και προλαμβάνει ασθένειες.

ΟΥΤΕ ΑΥΤΗ Η ΕΓΓΥΗΣΗ ΟΥΤΕ ΟΠΟΙΑΔΗΠΟΤΕ ΕΓΓΥΗΣΗ, ΡΗΤΗ Ή ΣΙΩΠΗΡΗ, ΣΥΜΠΕΡΙΛΑΜΒΑΝΟΜΕΝΩΝ ΣΙΩΠΗΡΩΝ ΕΓΓΥΗΣΕΩΝ Ή ΕΜΠΟΡΕΥΣΙΜΟΤΗΤΑΣ, ΔΥΝΑΤΑΙ ΝΑ ΠΑΡΑΤΑΘΕΙ ΠΕΡΑΝ ΤΗΣ ΠΕΡΙΟΔΟΥ ΕΓΓΥΗΣΗΣ. ΔΕΝ ΕΝΝΟΕΙΤΑΙ ΚΑΜΙΑ ΑΝΕΥΘΥΝΟΤΗΤΑ ΓΙΑ ΚΑΘΕ ΤΥΧΑΙΑ Ή/ΚΑΙ ΕΠΑΚΟΛΟΥΘΗ ΖΗΜΙΑ, ΣΥΜΠΕΡΙΛΑΜΒΑΝΟΜΕΝΩΝ ΤΙΣ ΧΩΡΙΣ ΠΕΡΙΟΡΙΣΜΟ ΖΗΜΙΕΣ, ΟΡΙΣΜΕΝΕΣ ΠΟΛΙΤΕΙΕΣ ΔΕΝ ΕΠΙΤΡΕΠΟΥΝ ΤΟΝ ΠΕΡΙΟΡΙΣΜΟ ΤΟΥ ΧΡΟΝΟΥ ΔΙΑΡΚΕΙΑΣ ΜΙΑΣ ΣΙΩΠΗΡΗΣ ΕΓΓΥΗΣΗΣ. ΟΡΙΣΜΕΝΕΣ ΠΟΛΙΤΕΙΕΣ ΔΕΝ ΕΠΙΤΡΕΠΟΥΝ ΤΗΝ ΕΞΑΙΡΕΣΗ Ή ΤΟΝ ΠΕΡΙΟΡΙΣΜΟ ΤΩΝ ΤΥΧΑΙΩΝ Ή ΕΠΑΚΟΛΟΥΘΩΝ ΖΗΜΙΩΝ, ΟΠΟΤΕ ΟΙ ΠΑΡΑΠΑΝΩ ΠΕΡΙΟΡΙΣΜΟΙ Ή ΕΞΑΙΡΕΣΕΙΣ ΜΠΟΡΕΙ ΝΑ ΜΗΝ ΙΣΧΥΟΥΝ ΓΙΑ ΕΣΑΣ. Η AIRFREE® PRODUCTS ΜΕ ΤΟ ΠΑΡΟΝ ΑΠΟΠΟΙΕΙΤΑΙ ΕΙΔΙΚΑ ΟΛΕΣ ΤΙΣ ΕΞΕΦΡΑΣΜΕΝΕΣ ΕΓΓΥΗΣΕΙΣ ΜΗ ΑΛΛΩΣ ΟΡΙΖΕΤΑΙ ΣΤΟ ΠΑΡΟΝ ΕΓΓΡΑΦΟ ΚΑΙ ΟΠΟΙΕΣΔΗΠΟΤΕ ΕΜΜΕΣΕΣ ΕΓΓΥΗΣΕΙΣ Ή ΕΜΠΟΡΕΥΣΙΜΟΤΗΤΑΣ Ή ΣΙΩΠΗΡΕΣ ΕΓΓΥΗΣΕΙΣ ΓΙΑ ΤΗΝ ΚΑΤΑΛΛΗΛΟΤΗΤΑ ΓΙΑ ΕΝΑ ΣΥΓΚΕΚΡΙΜΕΝΟ ΣΚΟΠΟ. ΔΕΝ ΥΠΑΡΧΟΥΝ ΕΓΓΥΗΣΕΙΣ ΠΟΥ ΝΑ ΙΣΧΥΟΥΝ ΠΕΡΑΝ ΤΟΥ ΠΑΡΟΝΤΟΣ. Αυτή η εγγύηση σας παρέχει συγκεκριμένα νομικά δικαιώματα: μπορεί να έχετε άλλα δικαιώματα, τα οποία διαφέρουν από πολιτεία σε πολιτεία, και από χώρα σε χώρα.

*AIRFREE® PRODUCTS, Julieta Ferrão 10, 9th Floor, 1600 -131 Lisbon, Portugal

Phone: 351 - 213 156 222

Fax: 351 - 213 516 228

Web: www.airfree.com

E-mail: info@airfree.com

Zasady bezpieczeństwa



Airfree® nie powinno być obsługiwane przez osoby z ograniczoną sprawnością umysłową, sensoryczną lub osoby nie posiadające doświadczenia i odpowiedniej wiedzy w zakresie używania produktów sprzętu domowego. Dzieci nie powinny bawić się urządzeniem, dlatego też zaleca się by pozostawały pod nadzorem osób dorosłych w czasie kiedy mają bezpośredni kontakt z urządzeniem.



Nie wolno umieszczać Airfree® w miejscu, w którym ma bezpośredni kontakt z wodą lub innymi materiałami płynnymi, gdyż może to doprowadzić do spięcia elektrycznego i uszkodzenia urządzenia.



Nie umieszczaj w pobliżu Airfree® żadnych przedmiotów, które mogą blokować wlot i wylot powietrza tj. ręczników, ubrań, zasłon. Zablokowanie otworów zapewniających swobodny przepływ powietrza może spowodować przegrzanie urządzenia i jego automatyczne wyłączenie. Jeśli dojdzie do blokady wlotu lub wylotu powietrza system zabezpieczenia przed przegrzaniem odetnie dopływ zasilania i zajdzie konieczność wymiany układu scaleonego u autoryzowanego sprzedawcy. Uszkodzenie urządzenia na wypadek wyżej opisanych okoliczności nie jest objęte gwarancją Airfree®.



Nie należy otwierać urządzenia Airfree®, ani dotykać żadnych wewnętrznych elementów. Nie można wkładać do urządzenia żadnych przedmiotów, gdyż spowoduje to spięcie elektryczne. Uszkodzenie urządzenia na wypadek wyżej opisanych okoliczności nie jest objęte gwarancją Airfree®.



Celem wyczyszczenia Airfree® należy odłączyć urządzenie od źródła zasilania i użyć suchej ściereczki by przetrzeć obudowę. Nie należy próbować otwierać urządzenia, celem wyczyszczenia wewnątrz, gdyż to działanie nie jest konieczne i może spowodować uszkodzenie Airfree®. Uszkodzenie urządzenia na wypadek wyżej opisanych okoliczności nie jest objęte gwarancją Airfree®.



Zawsze używaj i przechowuj Airfree® w pozycji pionowej jak pokazane na obrazku, w przeciwnym wypadku urządzenie zostanie automatycznie wyłączone do momentu, kiedy zostanie ustawione w pozycji pionowej. W modelach posiadających funkcję lampki nocnej, lampka zgaśnie z powodu odcięcia prądu.*



Jeśli kabel zasilający jest uszkodzony, powinien niezwłocznie zostać wymieniony przez autoryzowany serwis lub osobę posiadającą uprawnienia do jego wymiany by zapobiec potencjalnym zagrożeniom. Jeśli zajdzie konieczność przekazania urządzenia do punktu serwisowego zaleca się zabezpieczenie urządzenia, najlepiej poprzez umieszczenie go w oryginalnym opakowaniu by uniknąć dodatkowych uszkodzeń.



Airfree® nie powinno być umieszczanie w pobliżu materiałów łatwopalnych i substancji toksycznych.

(* Prosimy o dokładne zapoznanie się ze “Specyfikacją techniczną” produktu celem określenia, które modele posiadają funkcję lampki nocnej, a które posiadają wielokolorowe światło.

Instalacja i podłączenie



Podłącz kabel zasilający do najbliższego gniazdka. Upewnij się, że powierzchnia, na której ustawione jest urządzenie jest sucha (nigdy nie umieszczaj urządzenia na morkym podłożu, ani nie zanurzaj go w wodzie). Upewnij się, kontrolka LED On/Off świeci się. Uruchomienie lampki nocnej odbywa się dotykowo za pomocą sensora. Po 30 min. górna pokrywa urządzenia powinna być ciepła.



Umieść Airfree® na płaskim podłożu najlepiej nie wyżej niż 75cm nad podłogą. Nie należy umieszczać urządzenia pod meblami, półkami lub za zasłonami, gdyż zakłóci to swobodny przepływ powietrza i obniży wydajność urządzenia.



Upewnij się, że urządzenie jest odpowiednio przystosowane do powierzchni pomieszczenia, w którym zostanie umieszczone. Umieszczenie Airfree® w pomieszczeniu większym niż powierzchnia do jakiej jest przeznaczony znacznie obniży jego wydajność oczyszczania.



Airfree® musi pracować bez przerwy 24 godziny na dobę. Wyłączenie urządzenia spowoduje podwyższenie poziomu zanieczyszczenia mikroorganizmami w pomieszczeniu, w którym się znajduje. Ponowne włączenie urządzenia spowoduje usunięcie powstałego zanieczyszczenia. Należy pamiętać, że im dłuższy czas kiedy Airfree® nie pracuje, tym większa ilość mikroorganizmów zgromadzi się w pomieszczeniu.



Zaleca się stosowanie Airfree® w pomieszczeniach większych niż 4 m² lub 10 m³.



Pomieszczenia, w których zastosowana jest klimatyzacja lub system wentylacji nie wpływa na zdolność oczyszczania urządzenia Airfree®. Tak samo dzieje się w przypadku systemów ogrzewania.



Airfree® może być stosowany w przedpokojach, niemniej jednak należy pamiętać, że będzie miał on śladowy wpływ na sterylizację powietrza w pobliskich pomieszczeniach.



Nie należy umieszczać urządzenia w pobliżu otwartych drzwi lub otwartego okna, celem uniknięcia wylotu oczyszczonego powietrza na zewnątrz pomieszczenia.



Aby otworzyć płatki urządzenia Airfree® Lotus, naciśnij środkową część pokrywy.

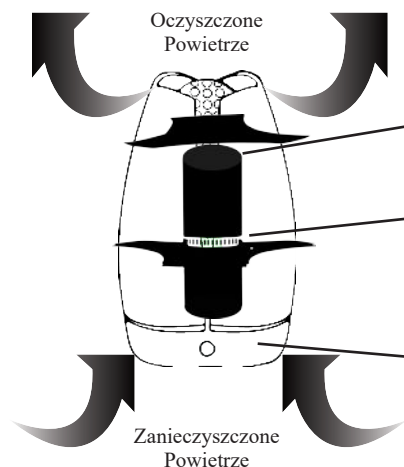


Aby zamknąć płatki, przesunij je jednocześnie w kierunku do środka.



Model	Lotus
Wydajność	60 m ²
Zużycie Energii	47 - 58 W
Napięcie	220 - 240 V
Głośność	Bezgłośny
Waga	2,4 kg
Wymiary	Szerokość: 19,5 cm Długość: 19,5 cm Wysokość: 33 cm
Kolor	Biały
Wielokolorowe światło nocne	Dostępne tylko dla modelu Iris
Zmień kolor	Model Iris: dotknij wyfloczonego czujnika dotykowego. Każdy dotyka innego koloru
Natężenie światła	Ciągle dotykaj wyfloczonego czujnika dotykowego
Tryb losowy	Model Iris: Stop w kolorze różowym

Jak działa Airfree® ?



Komora chłodząca

Oczyszczone i ostudzone powietrze jest uwalniane na zewnątrz nie powodując zmiany w temperaturze i wilgotności panującej w pomieszczeniu.

TSS™ Ceramiczny Rdzeń Sterylizujący

Mikroorganizmy ulegają zniszczeniu w kanałkach wewnątrz ceramicznego rdzenia.

Wloty powietrza

Powietrze dostaje się do urządzenia na zasadzie konwekcji

Bez względu na to jak niebezpieczne są wirusy, grzyby czy też bakterie są one bezpowrotnie eliminowane z powietrza za pomocą wysokiej temperatury, która wytwarzana jest wewnątrz wielu kanałków, znajdujących się w rdzeniu ceramicznym TSS™. Ciepło wytwarzane wewnątrz ceramicznego rdzenia wymusza ruch wysterylizowanego powietrza w górę przez co zachodzi proces konwekcji. Negatywne ciśnienie pod rdzeniem ceramicznym powoduje "zasysanie" zanieczyszczonego powietrza do wnętrza Airfree® poprzez wloty powietrza. Airfree® bezgłośnie, w trybie ciągłym uzdatnia powietrze.

Airfree® Opis

1- Górna pokrywa z wylotami powietrza i wielokolorową lampką Lampka nocna/ Oświetlenie*

2- Dotykowy sensor aktywacji/ intensywności lampki

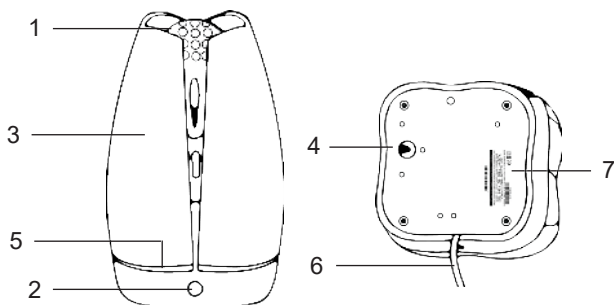
3- Ruchome płatki

4- Podstawa

5- Wloty powietrza

6- Kabel zasilający

7- Numer seryjny



Lampka nocna nie zakłóca działania systemu Termodynamicznej Sterylizacji TSS™ urządzenia Airfree®. (*) Należy uważnie zapoznać się ze "Specyfikacją techniczną" by sprawdzić czy urządzenie posiada funkcję lampki nocnej lub wielokolorowej lampki.

FAQ - Najczęściej Zadawane Pytania

1. W jaki sposób rozpoznam, że Airfree® nie działa?

Sprawdź górną pokrywę urządzenia. Jeśli jest zimna oznacza to, że urządzenie nie działa. Podłącz urządzenie do innego kontaktu i upewnij się, że urządzenie jest ustawione w odpowiedniej pozycji.

2. Czy są jakiegokolwiek efekty uboczne działania Airfree®?

Nie. Innowacyjna technologia Airfree® wykorzystuje moc ciepła w procesie oczyszczenia powietrza bez zakłócenia temperatury panującej w danym pomieszczeniu, dlatego też działanie Airfree® nie powoduje żadnych efektów ubocznych - nie generuje jonów ani żadnych cząsteczek. Airfree® może być używane w domach i biurach, gdzie bezgłośnie i efektywnie oczyści powietrze.

3. Jak wyłączyć lampkę nocną lub wielokolorową lampkę?*

Aby przyćmiwić światło emitowane przez lampkę lub je wyłączyć proszę przejść do sekcji "Instalacja i podłączenie" teź instrukcji.

4. Lampka na pokrywie urządzenia miga. Co to oznacza?*

W modelach Airfree®, które posiadają lampkę, miganie światła to sygnał, że urządzenie zostało niepoprawnie umieszczone. Proszę upewnić się, że urządzenie znajduje się w pozycji pionowej.

5. Czy mogę zainstalować Airfree® w garderobie?

Tak, jeśli jej rozmiar jest większy niż 2 x 2 m (4 m² lub 10 m³). W przeciwnym wypadku może dojść do przegrzania garderoby.

6. Czy mogę używać Airfree® w klimatyzowanym pomieszczeniu?

Tak.

7. Czy mogę umieścić Airfree® w przedpokoju tak by uzdatniać powietrze w sąsiednich pokojach?

Nie. Airfree® uzdatni tylko powietrze w przedpokoju.

8. Czy mogę umieścić Airfree® w zamkniętym pokoju?

Tak. Proszę pamiętać, że pokój musi być wielkości co najmniej 4 m² (10 m³).

9. Czy powinno się wyłączać Airfree® przed wyjściem z domu?

By osiągnąć najlepszą efektywność urządzenia zalecamy by Airfree® pracowało bez przerwy. Wyłączenie urządzenia wstrzymuje proces sterylizacji powietrza i tym samym powoduje gromadzenie się i namnażanie zanieczyszczeń.

10. Czy można zmieniać pokoje, w których pracuje Airfree®?

Airfree® powinno być włączone bez przerwy 24 godziny na dobę. Opatentowana technologia Airfree® działa stopniowo, więc usunięcie urządzenia z pomieszczenia, w którym zostało zamieszczone pierwotnie spowoduje gromadzenie się i narastanie w nim zanieczyszczeń.

11. Czy wskaźnik CADR mierzy efektywność Airfree®?

Nie. CADR nie może być stosowany do określania efektywności technologii Airfree®. Oznaczenie AHAM, które można znaleźć zazwyczaj na tyle oczyszczacza powietrza odnosi się do trzech wskaźników czystości powietrza (CADR): jeden dla dymu papierosowego, jeden dla pyłków kwiatowych i jeden dla kurzu. Wskaźnik CADR określa ilość przefiltrowanego powietrza przez oczyszczacz. Powodem, dla którego CADR nie może być stosowany do określenia efektywności urządzenia Airfree® jest fakt, iż Airfree® nie filtruje zanieczyszczeń a eliminuje je bezpowrotnie. Redukcja bakterii, pleśni, wirusów i innych mikroorganizmów za pomocą Airfree® może być tylko mierzona poprzez zbadanie próbki uzdatnionego powietrza w specjalistycznym laboratorium. Podczas procesu oczyszczania za pomocą opatentowanego rdzenia ceramicznego Airfree® dochodzi do eliminacji. Mikroorganizmy ulegają całkowitemu zniszczeniu podczas przechodzenia przez opatentowane przez Airfree® kanaliki w rdzeniu ceramicznym.

12. Co dzieje się w przypadku kiedy Airfree® zostanie odłączone lub nastąpi brak w dostawie prądu?
Airfree® potrzebuje taką samą ilość czasu na wyeliminowanie nagromadzonego zanieczyszczenia jak podczas jego odłączenia.

13. Czy Airfree® eliminuje bakterie i wirusy?

Tak. W przeciwieństwie do oczyszczaczy powietrza dostępnych na rynku, urządzenie Airfree® jest szczególnie skuteczne w eliminacji najmniejszych cząstek zanieczyszczeń znajdujących się w powietrzu, ponieważ są one z powodzeniem przenoszone przez powietrze do ceramicznego rdzenia TSS™. Zalecamy zapoznanie się z szeroką bazą certyfikatów Airfree® (zwalczanie bakterii i wirusów) dostępnych na naszej stronie www.airfree.com.

14. W jaki sposób Airfree® usuwa pleśń?

Wyeliminowanie z powietrza zarodników pleśni ma wpływ na obniżenie zależnych od tych zanieczyszczeń kolonii roztoczy. Airfree® usuwa również szkodliwe toksyny i grzyby wytwarzane przez odchody i szkielety roztoczy, które wywołują alergię układu oddechowego i astmę. www.airfree.com

15. Jak Airfree® eliminuje z powietrza grzyby i pleśń?

Jak nadmienione wcześniej Airfree® eliminuje z powietrza lotne związki mikroorganizmiczne, na które składają się zarodniki grzybów i pleśni. Wyeliminowanie zarodników uniemożliwia tworzenie się nowych kolonii. Zalecamy zapoznanie się z szeroką bazą certyfikatów Airfree® (zwalczanie pleśni i grzybów) dostępnych na naszej stronie www.airfree.com.

16. W jaki sposób Airfree® eliminuje z powietrza wirusy?

Mikroskopijne mikroorganizmy są łatwo eliminowane w kanałkach rdzenia ceramicznego Airfree®. W przeciwieństwie do innych technologii Airfree® dzięki zastosowanej w urządzeniu technologii TSS™ bezpowrotnie eliminuje z powietrza najmniejsze mikroorganizmy. Zalecamy zapoznanie się z szeroką bazą certyfikatów Airfree® (zwalczanie wirusów) dostępnych na naszej stronie www.airfree.com.

17. Czy Airfree® zmienia poziom wilgotności w pomieszczeniu, w którym się znajduje?

Nie.

18. Czy Airfree® uwalnia do otoczenia gazy lub substancje chemiczne?

Nie. Proces sterylizacji za pomocą Airfree® jest naturalny. Zalecamy zapoznanie się z szeroką bazą certyfikatów Airfree® (redukcja ozonu) dostępnych na naszej stronie www.airfree.com.

19. Czy Airfree® nagrzewa pomieszczenie?

Airfree® nie powoduje odczuwalnej zmiany w temperaturze panującej w pomieszczeniu, w którym jest zastosowany. Dla porównania pracujące Airfree® generuje tyle samo ciepła co dwoje dorosłych o wadze 70 kg.

20. Czy Airfree® wymaga wymiany filtra?

Nie.

21. Czy lampka zastosowana w niektórych modelach Airfree® zakłóca jego działanie?*

Nie. Lampka spełnia tylko funkcję użyteczną i może być używana jako lampka nocna, szczególnie sprawdzająca się w pokojach dziecięcych.

22. Co dzieje się z usuwanymi zanieczyszczeniami?

Wszystkie żywe organizmy zasadniczo składają się z węgla, tlenu i azotu. Temperatura wewnątrz ceramicznego rdzenia Airfree® osiąga 200 °C, co powoduje rozkład usuwanych zanieczyszczeń mikroorganizmicznych do postaci dwutlenku węgla (ten sam produkt końcowy jak podczas oddychania organizmów żywych) i wodę. Śladowe ilości węgla (mikroskopijny pył) mogą pozostać pod górną pokrywą wewnątrz urządzenia. Należy mieć świadomość, że rozkład substancji mikroorganizmicznych odbywa się na mikroskopijnym poziomie, więc wszystkie pozostałości przyjmują formę małych frakcji i można je traktować jako bez znaczenia.

23. Jak działa wielokolorowa lampka?*

Funkcja wielokolorowej lampki polega na możliwości emisji 10 barw światła - czerwony, różowy, fioletowy, niebieski, jasno niebieski, zielony, żółty, pomarańczowy, brązowy i szary. Dotykowy sensor umożliwia wybór ulubionego koloru, płynną zmianę barw oraz regulację intensywności światła.

(*) Należy uważnie zapoznać się ze “Specyfikacją techniczną” by sprawdzić czy urządzenie posiada funkcję lampki nocnej lub wielokolorowej lampki. (***) Prosimy o dokładne zapoznanie się z “Opisem Airfree®” by zlokalizować sensor dotykowy za pomocą, którego odbywa się zarządzanie ustawieniami lampki.

Gwarancja

AIRFREE® PRODUCTS niniejszym udziela pierwszemu nabywcy gwarancji, że niniejszy produkt pozostanie wolny od wad materiałowych i wad wykonania przez okres dwóch lat od daty zakupu, pod warunkiem użytkowania zgodnie z przeznaczeniem. Podczas trwania ww. okresu gwarancyjnego produkt podlega naprawie lub wymianie u dystrybutora na ten sam lub zbliżony model bez opłat za części i robociznę, za okazaniem paragonu. Aby móc skorzystać z gwarancji, należy zachować dowód zakupu (paragon). Zaleca się zarejestrowanie gwarancji na urządzenie pod adresem www.airfree.com. W celu skorzystania z usług gwarancyjnych należy przesłać urządzenie wraz z paragonem lub fakturą do dystrybutora. Niniejsza gwarancja nie obejmuje uszkodzeń powstałych w wyniku niewłaściwego lub niezgodnego z przeznaczeniem użytkowania bądź wprowadzania zmian oraz, bez uszczerbku dla powyższego stwierdzenia, powstałych w wyniku zginania lub upuszczenia urządzenia, wadliwej instalacji elektrycznej w miejscu użytkowania lub wahań poziomu zasilania, które uznaje się za uszkodzenia powstałe w wyniku niewłaściwego użytkowania. AIRFREE® PRODUCTS, jej podmioty powiązane oraz dystrybutorzy hurtowi nie udzielają żadnych szczegółowych oświadczeń co do medycznego działania produktu. Producent nie gwarantuje, że urządzenie zapobiega chorobom.

NINIEJSZA GWARANCJA ORAZ WSZELKIE INNE GWARANCJE WYRAŻNE LUB DOMNIEMANE, W TYM DOMNIEMANE GWARANCJE PRZYDATNOŚCI HANDLOWEJ TRACĄ WAŻNOŚĆ Z UPŁYWEM OKRESU GWARANCYJNEGO. PRODUCENT NIE PONOSI ODPOWIEDZIALNOŚCI ZA ŻADNE SZKODY UBOCZNE LUB WTÓRNE. W NIEKTÓRYCH PAŃSTWACH NIEDOPUSZCZALNE JEST OGRANICZANIE OKRESU OBOWIĄZYWANIA GWARANCJI DOMNIEMANYCH. ZE WZGLĘDU NA TO, ŻE W NIEKTÓRYCH PAŃSTWACH NIEDOPUSZCZALNE JEST WYŁĄCZENIE LUB OGRANICZENIE ODPOWIEDZIALNOŚCI ZA SZKODY UBOCZNE LUB WTÓRNE, POWYŻSZE WYŁĄCZENIA LUB OGRANICZENIA MOGĄ NIE MIEĆ ZASTOSOWANIA W DANYM PRZYPADKU. AIRFREE® PRODUCTS NINIEJSZYM WYRAŹNIE NIE UDZIELA ŻADNYCH JAWNYCH GWARANCJI NIE WYMIIENIONYCH W NINIEJSZYM DOKUMENCIE ANI ŻADNYCH DOMNIEMANYCH GWARANCJI PRZYDATNOŚCI HANDLOWEJ LUB PRZYDATNOŚCI DO OKREŚLONEGO CELU. PRODUCENT NIE UDZIELA ŻADNYCH GWARANCJI POZA WYMIIENIONYMI W NINIEJSZYM DOKUMENCIE. Na mocy niniejszej gwarancji nabywcy przysługują określone prawa, które mogą się różnić w zależności od stanu lub państwa.

*AIRFREE® PRODUCTS, Julieta Ferrão 10, 9th Floor, 1600 -131 Lisbon, Portugal

Telefon: 351 - 213 156 222

Fax: 351 - 213 516 228

Witryna: www.airfree.com

E-mail: info@airfree.com