

# ACTUATOR SERIES 90 2-POINT

ESBE actuator Series 90 for operating ESBE mixing valves DN 15–150. This series is provided with adjustable cam discs to obtain an operating range 30°–180° which make the series very flexible.



2-point

## OPERATION

The ESBE series 90 actuator is a compact actuator for operating rotary mixing valves. The actuator is reversible and is provided with limit switches which are actuated by cam discs. By adjusting the cam discs an operating range from 30° to 180° can be obtained. The actuator is provided with a disconnection for manual operation and has an indication on the front showing valve position.

The 2-point signal control actuator is available for 230 V, 50 Hz with different running times as shown in the table.

An 2-point signal control actuator with built-in relay should be selected when the actuator is to be controlled by an on/off-thermostat.

## OPTIONS

Art. No.  
98100690 \_\_\_\_\_ Separate auxiliary switch



1 To operate the valve manually, push the button and use the lever. The electric current is automatically disconnected as long as the button is in the lower position.

2 Turn the valve to the desired position.



3 To return to automatic operation, bring the lever to the position where it locks, and the button returns to the upper position. The current supply is now connected.

## SUITABLE MIXING VALVES

- Series VRG100\*
- Series MG
- Series VRG200\*
- Series G
- Series VRG300\*
- Series F
- Series VRH100\*
- Series BIV
- Series VRB100\*
- Series T, TM
- Series H and HG

\*Separate adaptor kit is required, see below

## ADAPTOR KITS

Required adaptor kits for easily fitting onto an ESBE rotary mixing valve is available in two different styles. Adaptor kit designed for ESBE mixing valve series MG, G, F, BIV, H, HG is supplied with each actuator. Adaptor kits for ESBE mixing valve series VRG and VRB can be ordered separately.

Art. No.

16051300 (= supplied with actuator)

\_\_\_\_\_ ESBE valve series MG, G, F, BIV, T, TM, H, HG

16053300 \_\_\_\_\_ ESBE valve series VRG, VRB

Adaptor kits for other mixing valves and valves built-into boilers are available as follows:

Art. No.

16053500 \_\_\_\_\_ BRV

16053900 \_\_\_\_\_ Honeywell Centra ZR, DR, DRG, DRU  
\_\_\_\_\_ (DN15 – DN50)

16051700 \_\_\_\_\_ Honeywell Centra Kompakt DRK/ZRK

16051900 \_\_\_\_\_ CTC, linear movement

16053600 \_\_\_\_\_ BRV, Meibes, Oventrop, Watts

16051300 \_\_\_\_\_ Sauter MH32...H42...

16052500 \_\_\_\_\_ Siemens VBG31, VBI31, VBF21, VCI31

16051400 \_\_\_\_\_ TA-VTR, TA-STM

16052600 \_\_\_\_\_ Schneider Electric/TAC-TRV

16051500 \_\_\_\_\_ Viessmann (DN20 – DN25)

16051800 \_\_\_\_\_ WITA

## TECHNICAL DATA

Ambient temperature: \_\_\_\_\_ max. +55°C

\_\_\_\_\_ min. –15°C

Power supply: \_\_\_\_\_ 230 ± 10% V AC, 50 Hz

Power consumption: \_\_\_\_\_ 5 VA

Enclosure rating: \_\_\_\_\_ IP 54

Protection class: \_\_\_\_\_ II

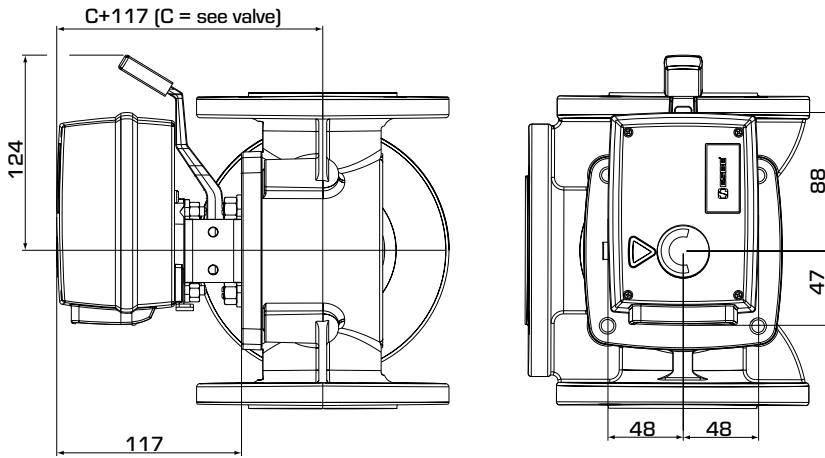
Torque: \_\_\_\_\_ See table

Rating auxiliary switch: \_\_\_\_\_ 6(3) A 250 V AC

Weight: \_\_\_\_\_ 0.8 kg

CE LVD 2014/35/EU  
EMC 2014/30/EU  
RoHS 2011/65/EU

# ACTUATOR SERIES 90 2-POINT



Installation dimensions for Actuator Series 90 with ESBE series MG, G, F, T/TM, H/HG and BIV mixing valves

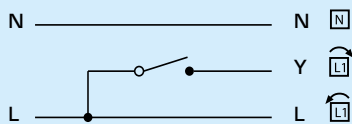
## SERIES 90, 2-POINT 230 V AC

Art. No.	Reference	Voltage [V AC]	Running time 90° [s]	Torque [Nm]	Control signal*	Remark
12052500	97	230	15	5	2-point SPST	With built-in relay
12052600	98		60	15		

\*2-point SPST = Single Pole Single Throw

### WIRING

The actuator should be preceded by a multi-pole contact breaker in the fixed installation.



Actuator with built-in relay, Art. No. 12052500, 12052600

The direction of rotation is changed by a contact located under the cover.