

TR4 Laboratory Ovens BL - Ovens for SCIENTIFIC LABORATORIES and for INDUSTRIAL PRODUCTION

**OVEN TYPE
TR4. BL**

Industrial electric ovens for thermal tests in modern scientific laboratories for large sample batches and for continuous production batches.

Remarkable accuracy and uniformity of temperature from 40° C to 300°C max.

MAIN FEATURES:

- Excellent, compact design combined with optimal ergonomic set-up.
- Horizontal, stratified air circulation to ensure better temperature distribution in all areas of the chamber.
- Chamber interior made from AISI 304 stainless steel for easy cleaning and good thermal performance
- Air extraction duct with flow control device
- Air exchange system to ensure a good supply of air to the chamber and proper extraction of process fumes and gases
- Microprocessor PID digital thermoregulator.
- Perforated stainless steel pull-out shelf.

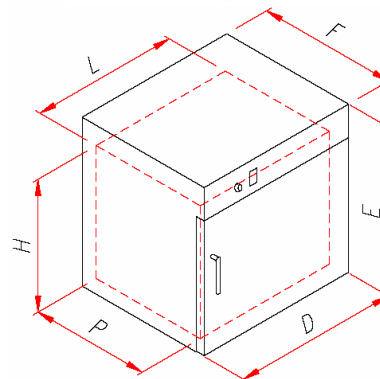
OPTIONAL:

- Potentiometer for setting internal circulation speed and air flow.
- Additional stainless steel shelves with guides
- Temperature recorder using continuous-feed paper or using external software.
- Attachments for vacuum system
- Attachments for probes or external detectors

Distributor:

PU Consulting AB

info@puconsulting.se



MODEL		TR4. 60 BL	TR4. 120 BL	TR4. 240 BL	TR4. 450 BL	TR4. 1050 BL
Chamber capacity	[Litri]	60	120	240	450	1050
Max temperature	[°C]	300°C	300°C	300°C	300°C	300°C
Electric resistors power	[kW]	2,1	2,1	3,1	6,3	9,3
Electrical connecton	[V]	single-phase	single-phase	single-phase	three-phase	three-phase
Inner chamber dimensions	L [mm]	450	650	750	750	1200
	H [mm]	350	500	600	1100	1400
	P [mm]	380	380	550	550	630
Overall dimensions	D [mm]	700	900	1000	1000	1470
	E [mm]	690	840	940	1445	1920
	F [mm]	650	650	820	820	955
Shelves included	[Nr.]	1	1	2	2	1
Max n° of shelves (optional)	[Max Nr.]	3	6	7	15	14
Approximate weight	[Kg]	90	120	165	235	450