

# Pre-Vulcanisation Oven SHOCK Oven MINI R3

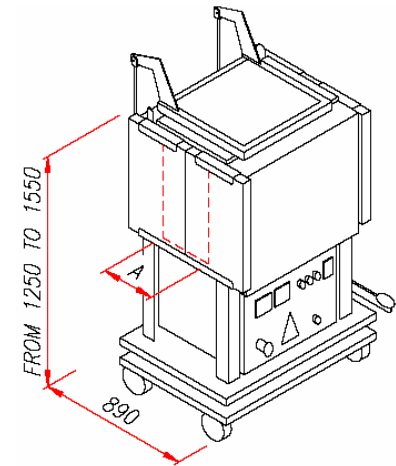
**OVEN TYPE  
SHOCK**

**Infrared pre-vulcanisation treatment oven.  
Particularly suitable for extrusion lines combined with Air Jet  
tunnel ovens.**

**Distributor:**  
**PU Consulting AB**  
info@puconsulting.se

## Main features:

- Inner chamber made of stainless steel, painted carbon steel outer structure
- Hydraulic product height adjustment.
- Pneumatic inspection door opening, standard on models 230 and 300, optional for the 120 model.
- Innovative insulation system and thermal insulation
- Sliding ceramic material shutters at both ends of the oven for reduced energy consumption
- Reduced dimensions and excellent manoeuvrability



<b>OVEN TYPE</b>	<b>Mini 120</b>	<b>Mini 230</b>	<b>Mini 300</b>
<b>A (mm)</b>	120	230	300
<b>Oven width (mm)</b>	890	890	890
<b>Oven depth (mm)</b>	890	890	890
<b>Oven height (mm)</b>	from 1250 to 1550	from 1250 to 1550	from 1250 to 1550
<b>Height of product from ground (mm)</b>	from 930 to 1230	from 930 to 1230	from 930 to 1230
<b>Approximate weight (kg)</b>	200	200	200
<b>Electric power (kw)</b>	9/10,5/12	12	12
<b>Operating temperature (°C)</b>	400	400	400
<b>Max temperature (°C)</b>	800	800	800
<b>Pneumatic opening door</b>	optional	included	included