

High-precision Electric Ventilated Ovens for temperatures from 450° and 650°C

**OVEN TYPE
N-HA**

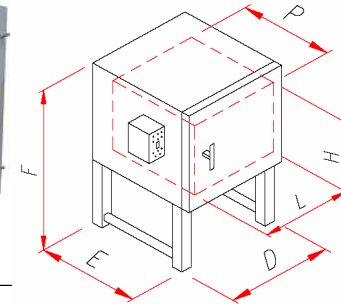
High-precision Electric Ventilated Ovens, essential wherever a precise thermal treatment plays an important role. Used mainly in stabilisation treatments, annealing, hardening, artificial heat ageing, softening, brazing, stabilisation of post-metal plating materials, etc.

Ideal ovens for important scientific or experimental laboratories and many production line test laboratories.

Main features:

- Modular design adaptable to any multiple composition
- Oven chamber made from tough, leak-proof stainless steel
- Insulation and thermal components made with quality, thick and compact ceramic-based materials
- **Two oven ranges, with operating temperatures up to 450 °C (max) and up to 650 °C (max)**
- Option to fit intermediate shelves that are also suitable for large loads
- Homogeneous and reliable heating, combined with an excellent high-efficiency ventilation system
- DIN 17052-1 compliant distribution of temperature in the working area
- Major brand programmable controller offering exceptional reliability (optional controller for cycles involving several segments).

Distributor:
PU Consulting AB
info@puconsulting.se



MODEL		N 60/45-HA	N 60/65-HA	N 120/45-HA	N 120/65-HA	N 250/45-HA	N 250/65-HA	N 560/45-HA	N 560/65-HA
Chamber capacity	[Liters]	60	60	120	120	250	250	560	560
Max temperature	[°C]	450	650	450	650	450	650	450	650
Electric power	[kW]	6,6	9,6	9,6	13,6	19	21	28	31
Electrical connection	[V]	3-phase	3-phase	3-phase	3-phase	3-phase	3-phase	3-phase	3-phase
Trays included	[Nr.]	1	1	1	1	1	1	1	1
Inner chamber dimensions	L [mm]	350	350	450	450	600	600	750	750
	P [mm]	500	500	600	600	750	750	1000	1000
	H [mm]	350	350	450	450	600	600	750	750
Overall dimensions	D [mm]	667+255	667+255	767+255	767+255	1002+255	1002+255	1152+255	1152+255
	E [mm]	1250	1250	1350	1350	1636	1636	1886	1886
	F [mm]	1400	1400	1500	1500	1860	1860	2010	2010
Approximate weight	[Kg]	240	240	310	310	610	610	1030	1030