

Evolution CD Rubber Ovens - Industrial ovens for post-CURING cycles of rubber, silicone, Viton, polyurethane products ecc.

OVEN TYPE CD EVOLUTION - R

INDUSTRIAL OVENS for post-CURING cycles.

Treatable materials:

- Elastomers, silicone (incl. Extruded silicone), Viton, polyurethane, etc.

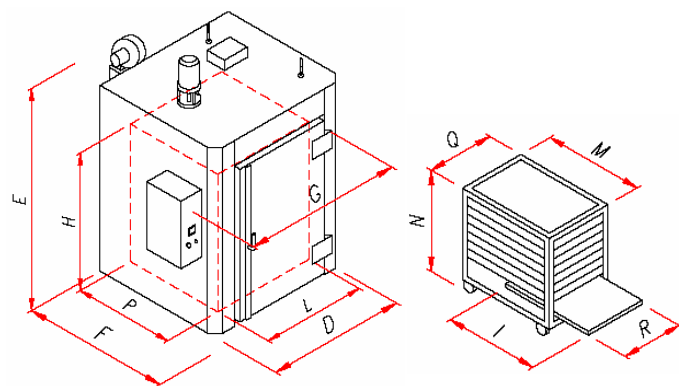
Main features:

- Floor-level access for trolleys with shelving
- Precision and homogeneity of temperature with dynamic control system to optimise the thermal balance
- Innovative stratified-laminar ventilation system to homogenise flows and accelerate the thermal process.
- New programmable, adjustable-capacity air exchange system
- Innovative insulation with thermal conduction in the HT BELT COVER that gives the oven the advantage of **VERY LOW ENERGY CONSUMPTION**
- Oven chamber made entirely of leak-proof stainless steel
- Bodywork made to a modern design from treated/painted steel or stainless steel (optional)
- Direct, automatic thermal safety system.
- New electronic control system with combination PLC + TOUCH SCREEN (optional)
- Emission condensate decanting system.
- Optional interface for PC EXPLORER 3000 monitoring system

Distributor:

PU Consulting AB

info@puconsulting.se



MODEL		CD 1000 Evolution	CD 1500 Evolution	CD 2000 Evolution	CD 3000 Evolution	CD 4000 Evolution	CD 5000 Twin Cam
Chamber capacity	[Liters]	1200	1600	2150	2900	3900	3,1+3,1
Operation temperature	[°C]	250 (max 300)	250 (max 300)	250 (max 300)	250 (max 300)	250 (max 300)	250 (max 300)
Electric resistors power	[kW]	11,2	16,5	11,2 + 11,2	16,5 + 16,5	16,5 + 16,5	33+33
Air homogenizing fan	[kW]	1,1	1,1	1,1	1,1 + 1,1	2,2 + 2,2	1.1x4
Air Exchange Fan	[kW]	0,18	0,18	0,18	0,18	0,18	0,18+0,18
Inner chamber dimensions	L [mm]	900	900	900	1100	1350	1100+1100
	H [mm]	950	1250	1650	1800	2000	1800
	P [mm]	1440	1440	1440	1440	1440	1600
Overall dimensions	D [mm]	1410	1410	1410	1610	1860	2900
	E [mm]	1850	2150	2550	2700	3050	2700
	F [mm]	2150	2150	2150	2150	2150	2300
	G [mm]	1710	1710	1710	1905	2155	3210
Tray dimensions (optional)	R [mm]	720	720	720	920	1150	920
	I [mm]	1400	1400	1400	1400	1400	1550
Number of Trays		6	9	12	14	15	14
Carriages dimensions (optional)	Q [mm]	800	800	800	1000	1250	1000
	M [mm]	1400	1400	1400	1400	1400	1550
	N [mm]	920	1220	1620	1770	1920	1770