

# Mini Rotary Electric Industrial Ovens

for precision Post-CURING treatments on small technical products made of rubber, silicone, Viton, etc.

Based on our excellent Electric ROTARY DM-Plus Ovens, this new series of ovens called DR 1, has been designed and constructed to perform post-CURING heat cycles on very small items requiring processing techniques that were not previously possible.

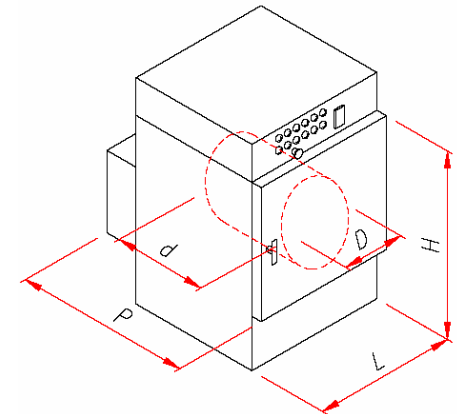
These ovens are essential for dealing with elastomers (rubber, Viton, silicone, polyurethane, etc.).

With simple thermal cycles set on the oven controller, you can produce pieces with the best dimensional homogeneity, the best flatness and perfect straightness.

### Some technical notes:

- Rotating basket in perforated stainless steel, customised to optimize the rotation of the processed items
- Basket closure of the "adjustable bezel" type to facilitate the loading and unloading of items being treated
- Oven chamber constructed of polished stainless steel
- Electrically controlled air exchange valve
- Electronic system for controlling basket rotation and all the intrinsic safety systems
- High-quality materials (upon request for cleanrooms)
- Absolute precision and uniformity of temperature
- Innovative safety system that automatically intervenes to stop the oven in case the set temperature is accidentally exceeded.

**Distributor:**  
**PU Consulting AB**  
 info@puconsulting.se



MODEL		DR.1-75 BL	DR.1- 200 BL	DR.1-300 BL
Rotating basket capacity (loading capacity)	[Liters]	75 (30)	197 (90)	308 (140)
Operation temperature	[°C]	250	250	250
Max weight of products being treated	[Kg]	35	110	165
Electric resistors power	[kW]	4,5	11,2	11,2
Air homogenizing fan	[kW]	0,09	1,1	1,1
Rotating basket diameter (D)	[mm]	400	600	750
Rotating basket depth (d)	[mm]	600	700	700
Loading opening size	[mm]	400	600	750
Overall dimensions	L [mm]	1050	1450	1600
	H [mm]	1400	1900	2050
	P [mm]	1150	1600	1650
Approximate weight	[Kg]	250	900	1100