

Industrial Rotary Electric Ovens for Post-CURING cycles of products made from rubber, silicone or Viton

OVEN TYPE
DM Plus

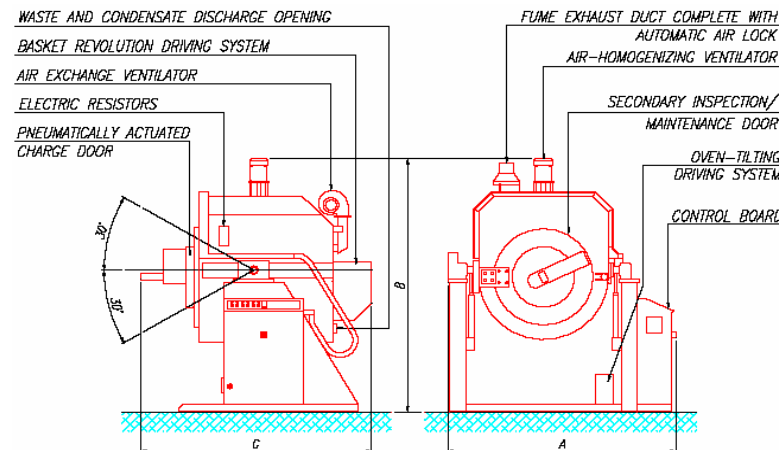
ROTATING electric ovens, designed and manufactured specifically to perform the best "POST-CURING" cycles of elastomers (rubber, Viton and silicone).

The thermal cycles performed by these ovens ensure the best homogeneity, flatness, and straightness of the treated items.

Main features:

- Adjustable-speed rotating basket, made of stainless steel, suitable for handling the pieces being treated
- Precision and uniformity of the relative temperature
- Programmable air exchange ventilation with inverter
- High-quality materials
- Innovative safety system that automatically intervenes to stop the oven in case the set temperature is accidentally exceeded

Distributor:
PU Consulting AB
info@puconsulting.se



OVEN TYPE		DM 350 Plus	DM 550 Plus	DM 750 Plus	DM 1000 Plus
Rotating basket capacity (loading capacity)	[Litres]	350 (170)	550 (270)	750 (370)	1000 (450)
Operation temperature	[°C]	250 (max 300)	250 (max 300)	250 (max 300)	250 (max 300)
Max weight of products being treated	[Kg]	180	285	390	480
Electric resistors power	[kW]	13	16,5	16,5	22,5
Air-homogenizing ventilator	[kW]	1,1	1,1	1,1	1,1
Air exchange ventilator	[kW]	0,18	0,18	0,18	0,37
Rotating basket diameter	[mm]	816	816	996	1196
Depth	[mm]	815	1065	1260	1260
Loading opening size	[mm]	478	478	478	478
Overall dimensions	A [mm]	2200	2200	2455	2743
	B [mm]	2655	2655	2755	2570
	C [mm]	1980	2160	2370	2380
Approximate weight	[Kg]	1450	1600	1850	2350