



IPC

Spare parts list

Ref: ASDO15122

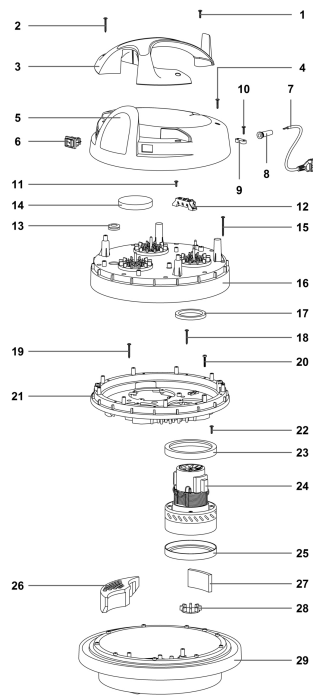
Model: VACUUM CLEANER GS3/78OIL TOPPER 633 BASC



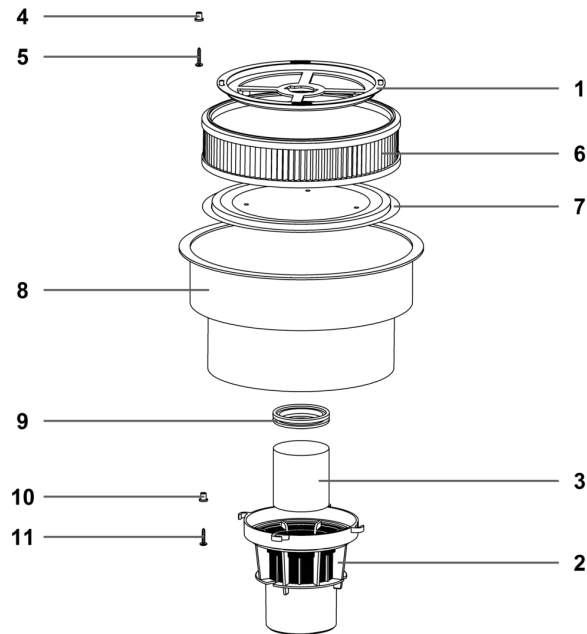
IPC Integrated Professional Cleaning

IPC Soteco

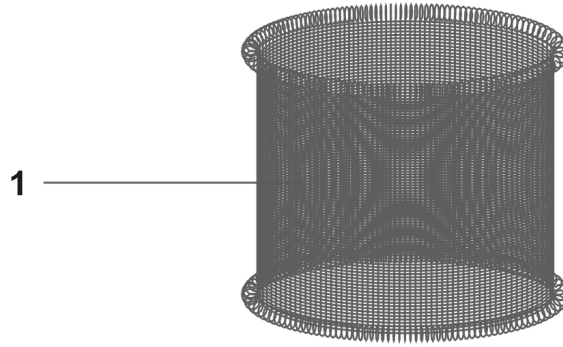
Ref. K	Part n.	Part n. 2	Description	Quantity	Validity		Price
					From	To	
0001	PMTA08501		HEAD TOPPER 633 2ST RAD. VEI/N	1,00			--
0002	KTRI04711	07471 OIL	KIT FIL.W 600 ANTISCH. C/F OI	1,00	22/12/2015		--
0003	FTDP28755	02893	FILTER D.145X190	1,00			--
0004	MPVR28723	02855	COMPL.RING FOR FILTER	1,00			--
0005	MPVR10591	00505/T OIL	RING INTERNO FUSTO 623 OIL	1,00	22/12/2015		--
0006	SECC00116	022030 COMP	BASKET W600 OIL COMPL.	1,00			--
0007	PMFU00187	022081	TANK 623 B OIL	1,00			--
0008	MPVR89913	03525	TROLLEYTIPPING TROLLEY 600	1,00			--



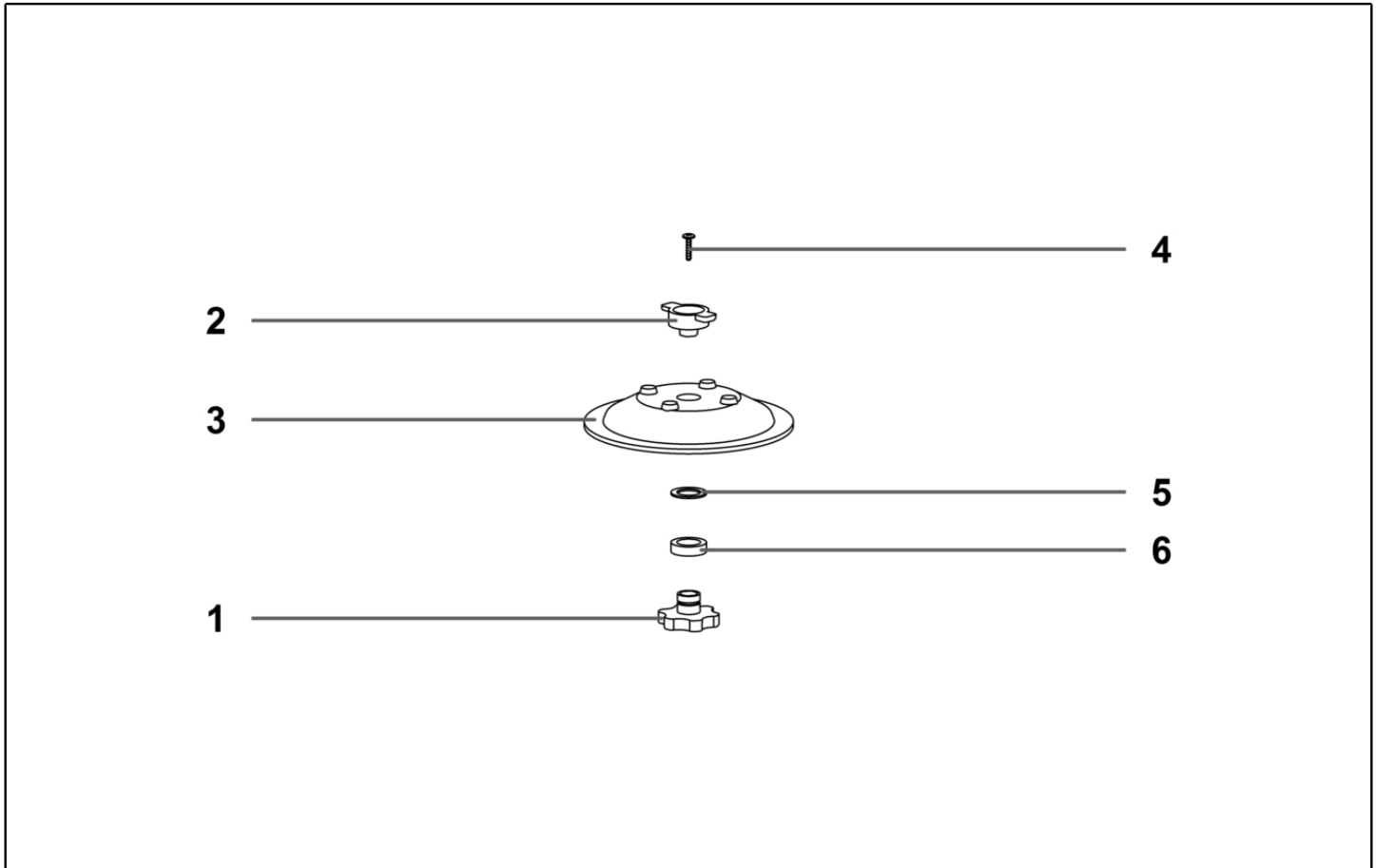
Ref. K	Part n.	Part n. 2	Description	Quantity	Validity		Price
					From	To	
*	MECB01831	07632/PILTP1200	ELECTR.KIT 50CM POKE-IN MOT TP 1200	3,00			--
*	FSVR00127	01106	CLAMP	3,00			--
*	MECB35712	01107	WIRE WITH RESISTANCE	1,00			--
0001	VTVT71961	01006	SCREW PFU TMT PHL 5X20 BLACK	1,00			--
0002	VTVT72106	02627	SCREW PAT TMT PHL 5X40 BLACK	2,00			--
0003	MPVR08307	020727VEI	HANDLE TOPPER 600 GREEN IPC	1,00			--
0004	VTVT72055	01979	SCREW PFU TMT PHL 5X25 ZN BLACK	2,00			--
0005	PMVR06241		COVER TOPPER 600 NE 3INT	1,00			--
0006	MECI28744	00484	ANTISPLASH RED LIGHT SWITCHER	3,00			--
0007	MECB31445	04062	ELECTRIC CORD 2X1,5 MT.8,5	1,00			--
0008	MEVR28673	00138	FAIRLEAD	1,00			--
0009	MPVR28690	00139	CABLE CLAMP	1,00			--
0010	VTVT71961	01006	SCREW PFU TMT PHL 5X20 BLACK	1,00			--
0011	VTVT71960	01005	SCREW PAT TMT PHL 5X14 ZN BLACK	2,00			--
0012	MEVR02008	03494	TERM.BOARD 400-600 3MOT.RAD	1,00			--
0013	MEVR72017	01502	GUIDING SLIT FOR QUICK COUPLING	1,00			--
0014	FTDP38064	03937	FILTER MTP/65 H=15 D.95	2,00			--
0015	VTVT40007	03273	SCREW PAT TMT PHL 5X55 BLACK	9,00			--
0016	MPVR08519	021768VEI	COVERING 600 GREEN IPC	1,00			--
0017	MPVR38371	03969	WASHER H8 D85X65	3,00			--
0018	VTVT72106	02627	SCREW PAT TMT PHL 5X40 BLACK	9,00			--
0019	VTVT72106	02627	SCREW PAT TMT PHL 5X40 BLACK	3,00			--
0020	VTVT01181	03189	SCREW TC CROSS M 5X30 UNI 7687	1,00			--
0021	MPVR89502	02937NE	MOTOR-FASTENER NEV.600 BLACK	1,00			--
0022	VTVT71961	01006	SCREW PFU TMT PHL 5X20 BLACK	12,00			--
0023	GUGO28683	03901	"L" GASKET W/O HOLES H=5,5	3,00			--
0024	MOMO00624	03890/E	MOTOR BD382 1200W 220-240 50/60	3,00			--
0025	GUGO28683	03901	"L" GASKET W/O HOLES H=5,5	3,00			--
0026	FTDP38057	03454	ANTINOISE TRIANGLE H=51	3,00			--
0027	FTDP28745	03456	GASKET MTP/30 AU-AD 50X10X85	3,00			--
0028	MPVR28748	00468	AUTOMATIC VALVE	3,00			--
0029	MPVR28752	02954NE	COMPL.BASE NEV.600 W/S.PLATE BLACK	1,00			--



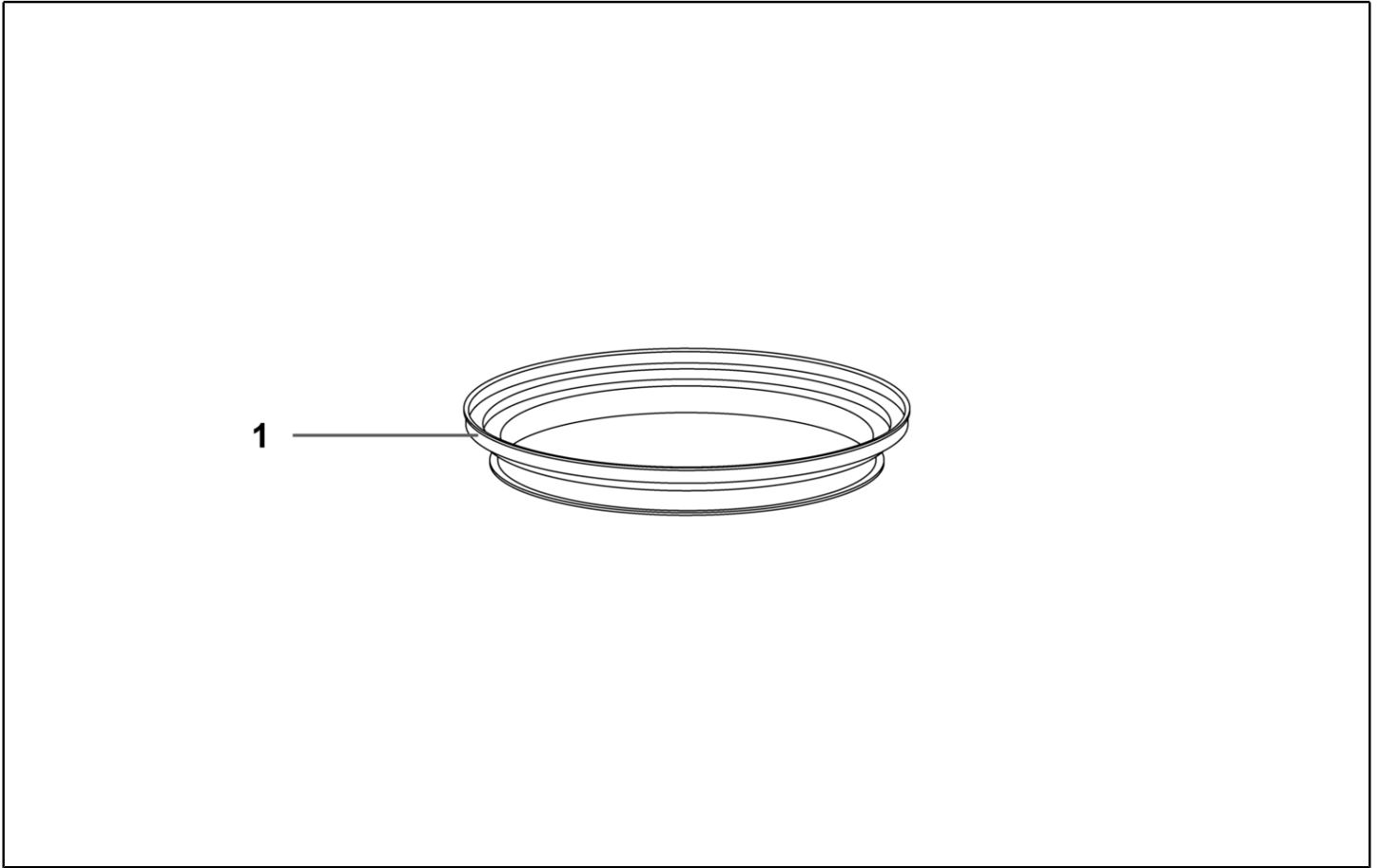
Ref. K	Part n.	Part n. 2	Description	Quantity	Validity		Price
					From	To	
0001	MPVR06906	07118	RING BAYONET BIG CYCLON	1,00			--
0002	MPVR40521	021243NE	NET ANTIFOAM BODY HIGH	1,00			--
0003	MPVR09072	02676-1 S/G	FLOATER 99 HIGH W/O/GASKET	1,00			--
0004	MPVR35796	03706	PLASTIC SLEEVE D.8	4,00			--
0005	VTVT36751	03724	SCREW PAT TMT PHL 5X25	4,00			--
0006	FTDP00285	07063	POLY. CARTRIDGE 250X205X80,5 W400	1,00			--
0007	PMVR06161	07472	FILTER BL.DISC W 400/600 COMP	1,00			--
0008	MPVR10196	07121-1	CYCLONE SUPPORT BIG 600	1,00			--
0009	GUVR00450	030087	GASKET NBR70SH SYSTEM W	1,00			--
0010	MPVR35796	03706	PLASTIC SLEEVE D.8	4,00			--
0011	VTVT87311	03156	SCREW PAT TMT PHL 5X20 INOX	4,00			--



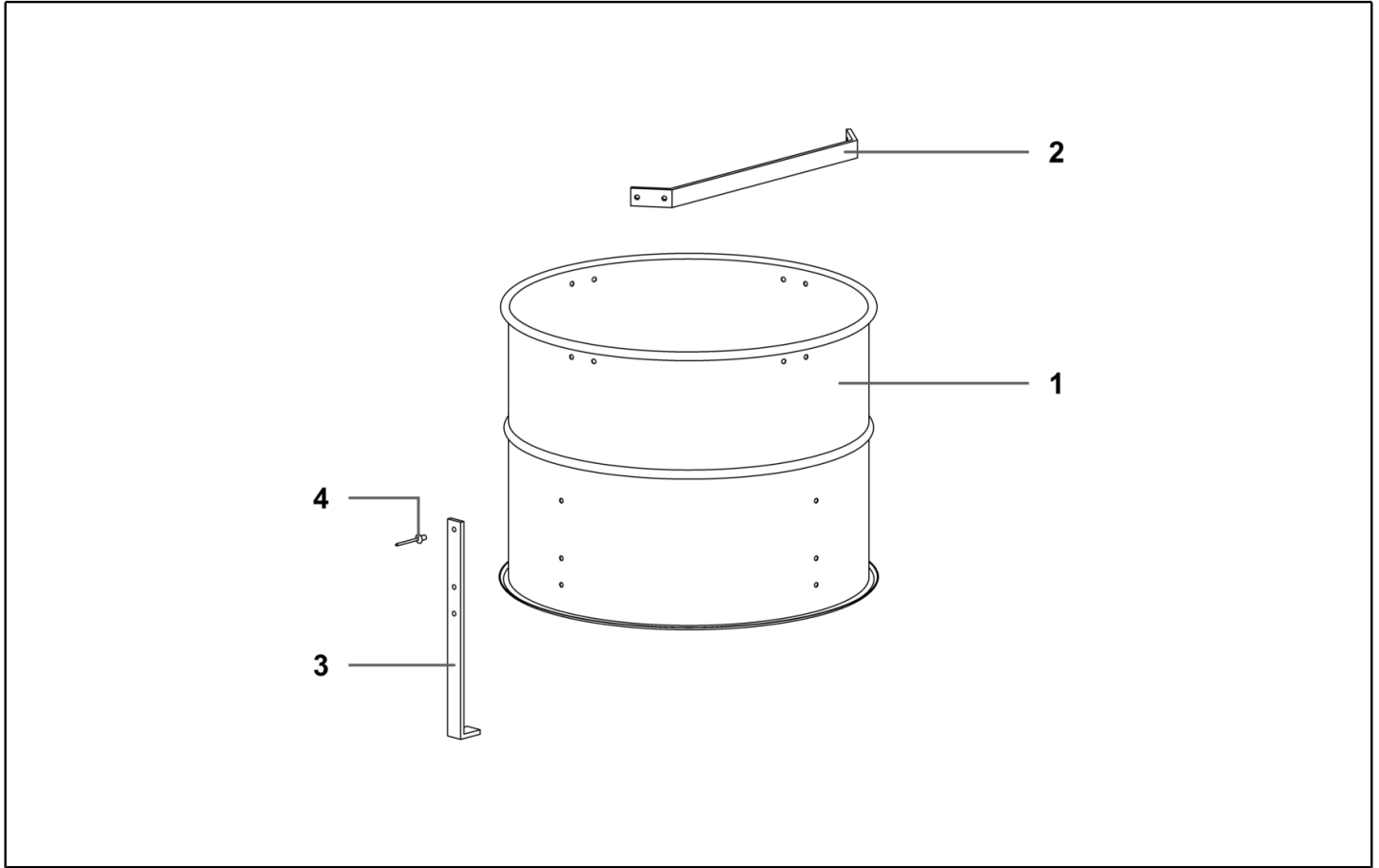
Ref. K	Part n.	Part n. 2	Description	Quantity	Validity		Price
					From	To	
0001	FTDP72138	02842	NET FILTER AISI 430 0,3 465X190	1,00			--



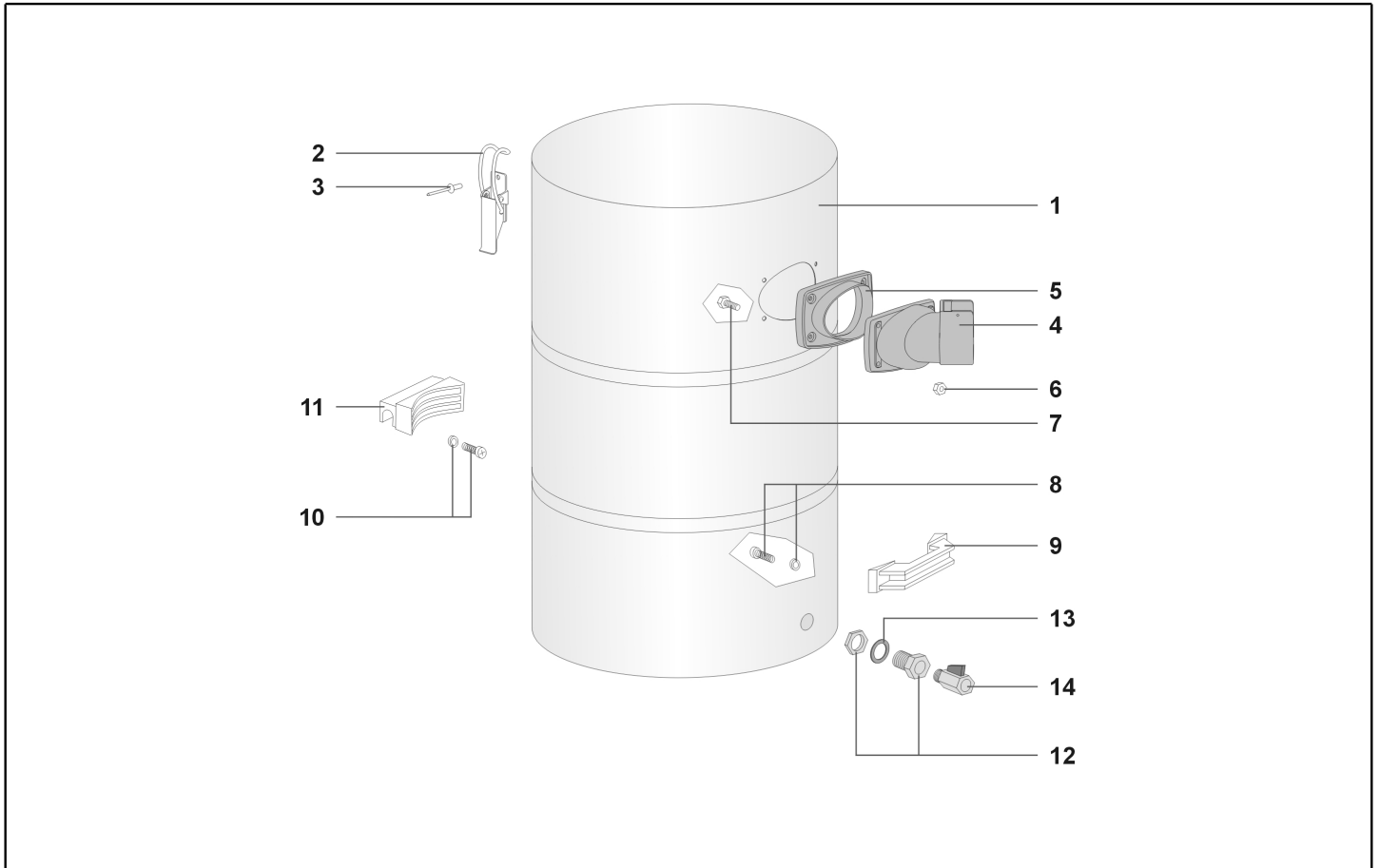
Ref. K	Part n.	Part n. 2	Description	Quantity	Validity		Price
					From	To	
0001	MPVR07254	020544	KNOB RAPID ATTACK	1,00			--
0002	MPVR07253	020543	HOOKING RAPID ATTACK	1,00			--
0003	MPVR06630	02821	DISC FILTER SUPPORT	1,00			--
0004	VTVT71961	01006	SCREW PFU TMT PHL 5X20 BLACK	1,00			--
0005	VTRS00418	03011	WASHER P.P. 30X20X1,5	1,00			--
0006	VTRS00419	03012	WASHER SPONGE RUBBER 30X20X8	1,00			--



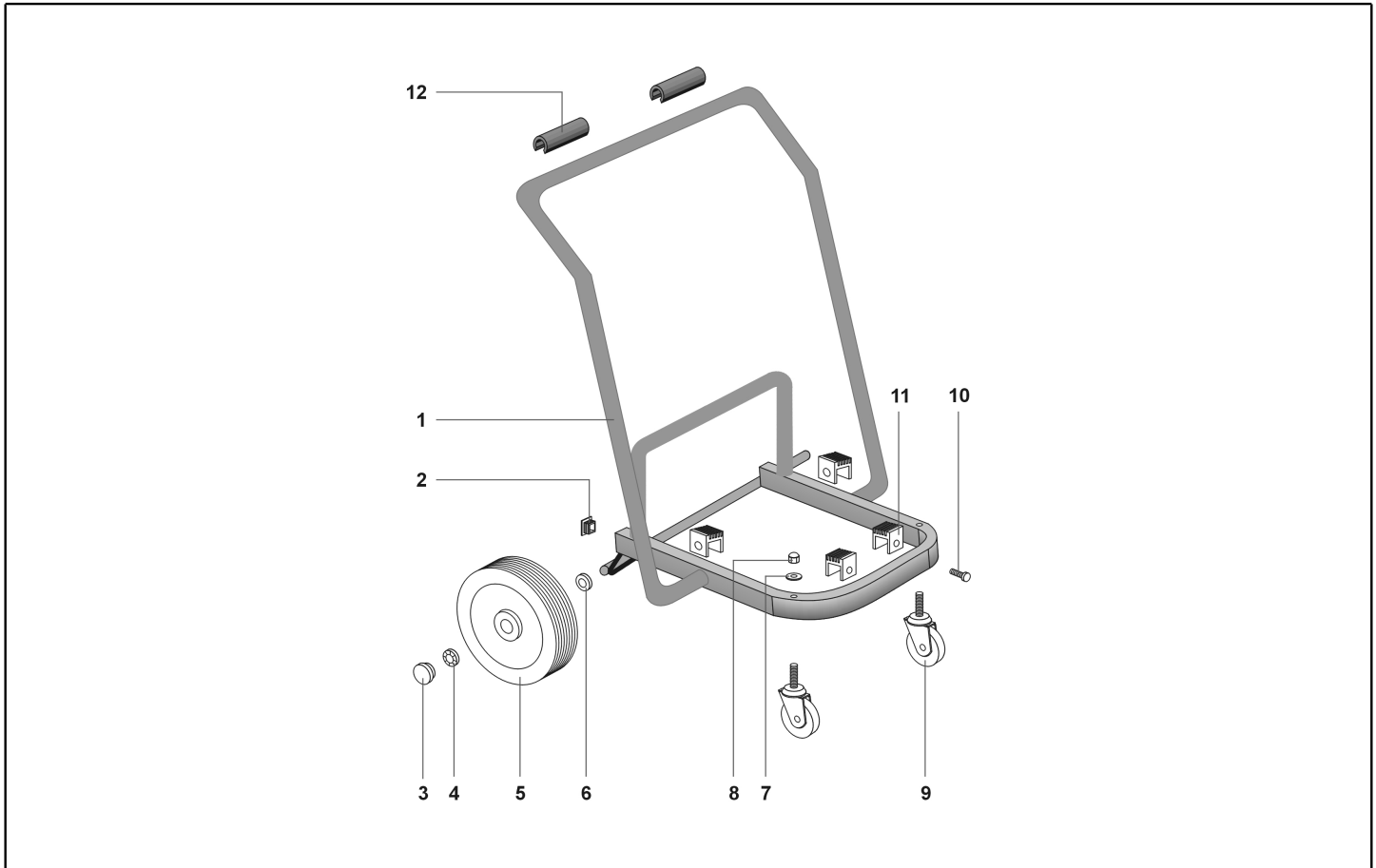
Ref. K	Part n.	Part n. 2	Description	Quantity	Validity		Price
					From	To	
0001	MPVR35495	00505	FILTER RING 600	1,00			--



Ref. K	Part n.	Part n. 2	Description	Quantity	Validity		Price
					From	To	
0001	SECC00112	022030	BASKET W600 OIL	1,00			--
0002	LAFN10814	030408	HANDLE SECCHIO W600 OIL	2,00	22/12/2015		--
0003	LAFN10813	030407	CARRYNG BAG SECCHIO W600 OIL	4,00	22/12/2015		--
0004	VTVR71991	01301	RIVET 5X11	20,00	22/12/2015		--



Ref. K	Part n.	Part n. 2	Description	Quantity	Validity		Price
					From	To	
0001	PMFU00180	022028	TANK 600 BASC. OIL AISI 430	1,00			--
0002	CHVR40000	07390	UNIVERSAL METAL HOOK	2,00	19/12/2015		--
0003	VTVR71991	01301	RIVET 5X11	4,00	19/12/2015		--
0004	MFVR00285		PIPE UNION D60 TANG. ALL. OIL COMPLE	1,00	29/01/2016		--
0005	MPVR07323	021647	GASKET PIPE UNION TANG. R205	1,00	19/12/2015		--
0006	VTDD71970	01038	SELFLOCKING NUT M 5 HIGH DIN 982	4,00	19/12/2015		--
0007	VTVT01415		SCREW M 5X25 TSP T-CR UNI 7688	4,00	17/05/2016		--
0008	RIGE00015	03968	COMPLETE SEAL W/SCREW L=25	2,00			--
0009	MPVR28737	02993-1NE	BLACK HANDLE	1,00			--
0010	RIGE00015	03968	COMPLETE SEAL W/SCREW L=25	4,00			--
0011	MPVR06993	020233	HINGE GROUP BASC COMP	1,00			--
0012	RCVR00880	07161	WALL MOUNTING FF3/8" M26X1,5	1,00			--
0013	VTRS00439	020838	WASHER AL 3/4"	1,00			--
0014	VVSF00017	07163	BALL VALVE M.F. 3/8"	1,00			--



Ref. K	Part n.	Part n. 2	Description	Quantity	Validity		Price
					From	To	
0001	LAFN10164	03524-1	METALLIC STRUCT 600 BASCULANTE	1,00			--
0002	MPVR06136	00976	PLASTIC TOP 40X20	2,00			--
0003	MPVR85070	03835NE	WHEEL CAP D.200/250 BLACK	2,00			--
0004	MPVR72149	02922	BLOC D.20	2,00			--
0005	RTRT24322	02896	WHEEL SR 250	2,00			--
0006	VTRS00420	03607	PLASTIC WASHER D.40X20,5X3	2,00			--
0007	VTRS71964	01012	WASHER M 10	2,00			--
0008	VTDD72234	00478	NUT M 10	2,00			--
0009	RTRT21167	00479	FRONT WHEEL	2,00			--
0010	VTVT72055	01979	SCREW PFU TMT PHL 5X25 ZN BLACK	4,00			--
0011	MPVR06691	03450	FOOT TIPPING BEARING	4,00			--
0012	MPVR02288	06250	PLAST.TROLLEY HANDLE	2,00			--