

IPC

Spare parts list

Ref: ASDO15039

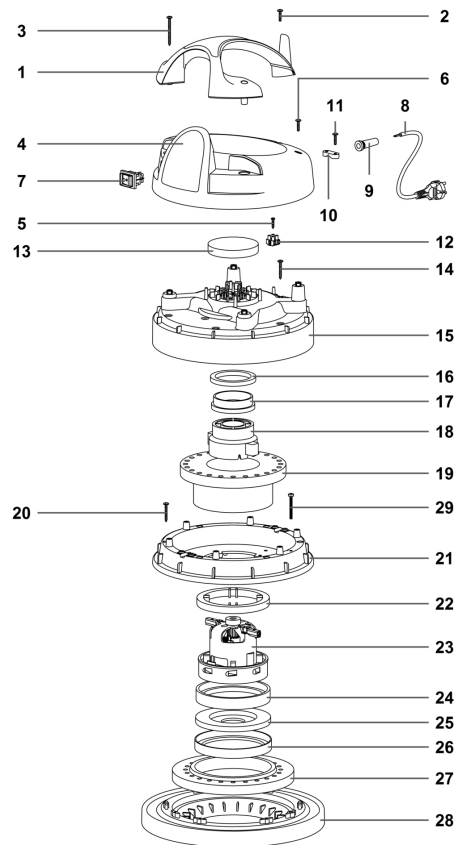
Model: VACUUM CLEANER GS1/41W&D TOPPER 515/41 H



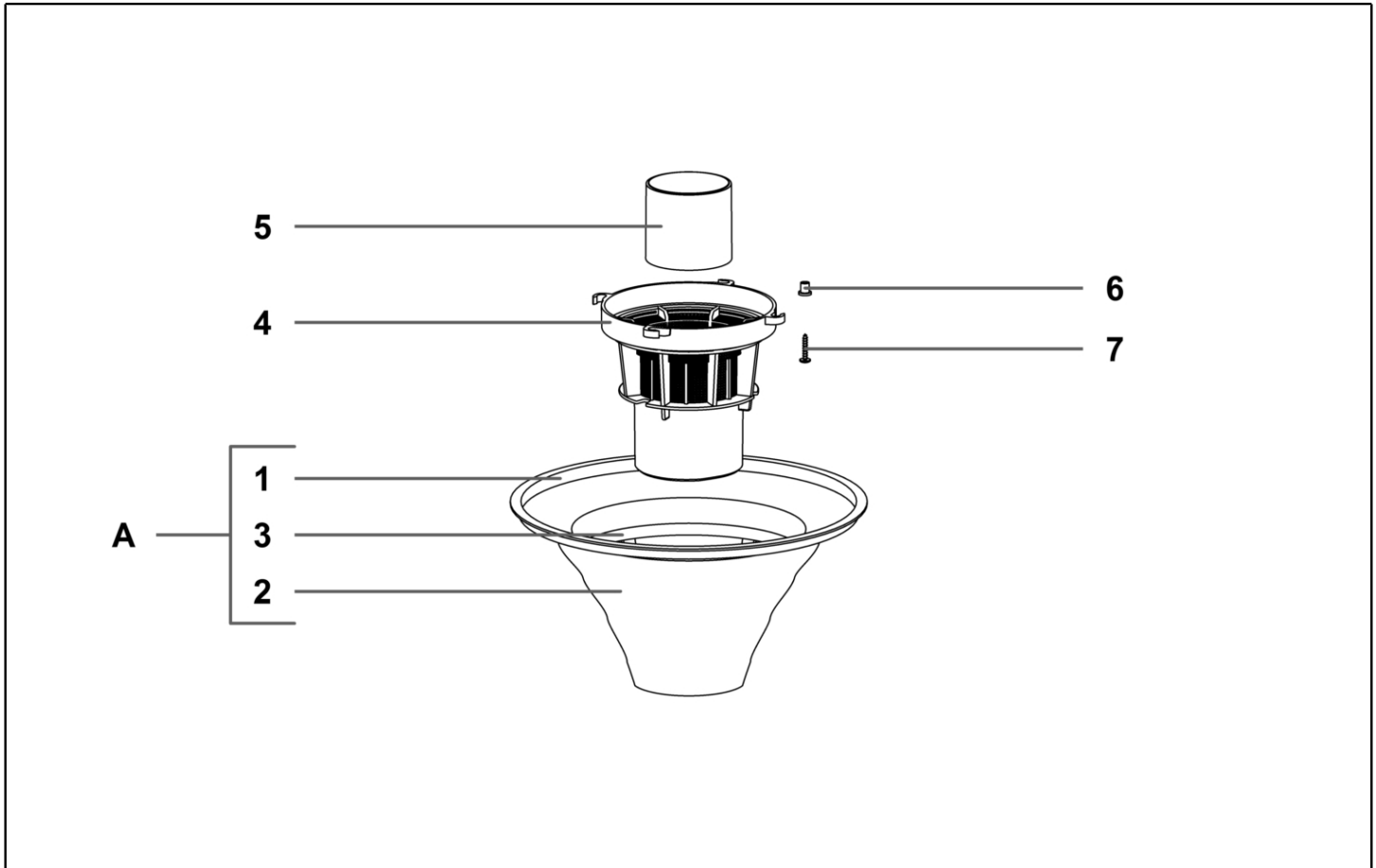
IPC Integrated Professional Cleaning

IPC Soteco

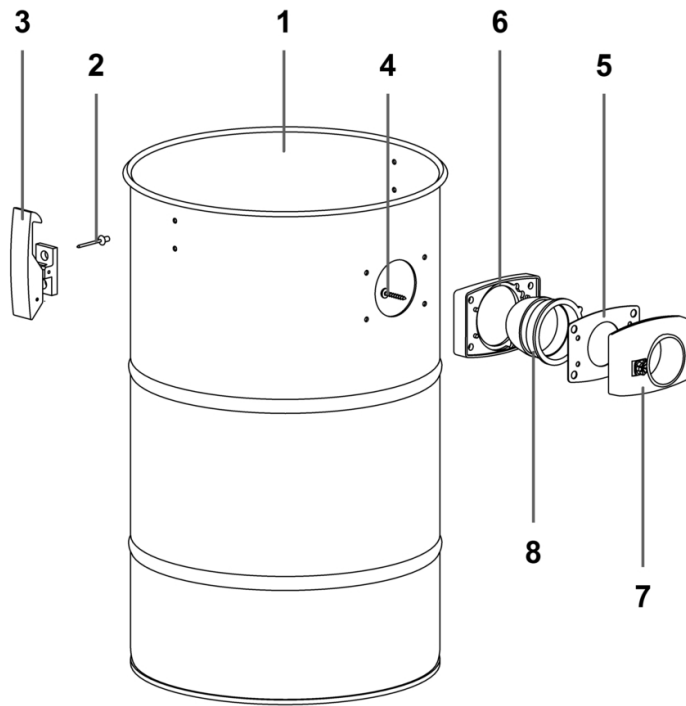
Ref. K	Part n.	Customer part n.	Description	Quantity	Validity		Price
					From	To	
0001	PMTA08355		HEAD TOPPER 215/515 HP C/P VEI	1,00			--
0002	KTRI04435	06052 SAN	FILTERING KIT YES SANIFIC. COMPL.	1,00			--
0003	PMFU02531		DRUM 500/41W A430 NE/VEI COMP	1,00			--
0004	MPVR40524	020884NE	TROLLEYVEGAS TROLLEY 500 COMPLET	1,00			--



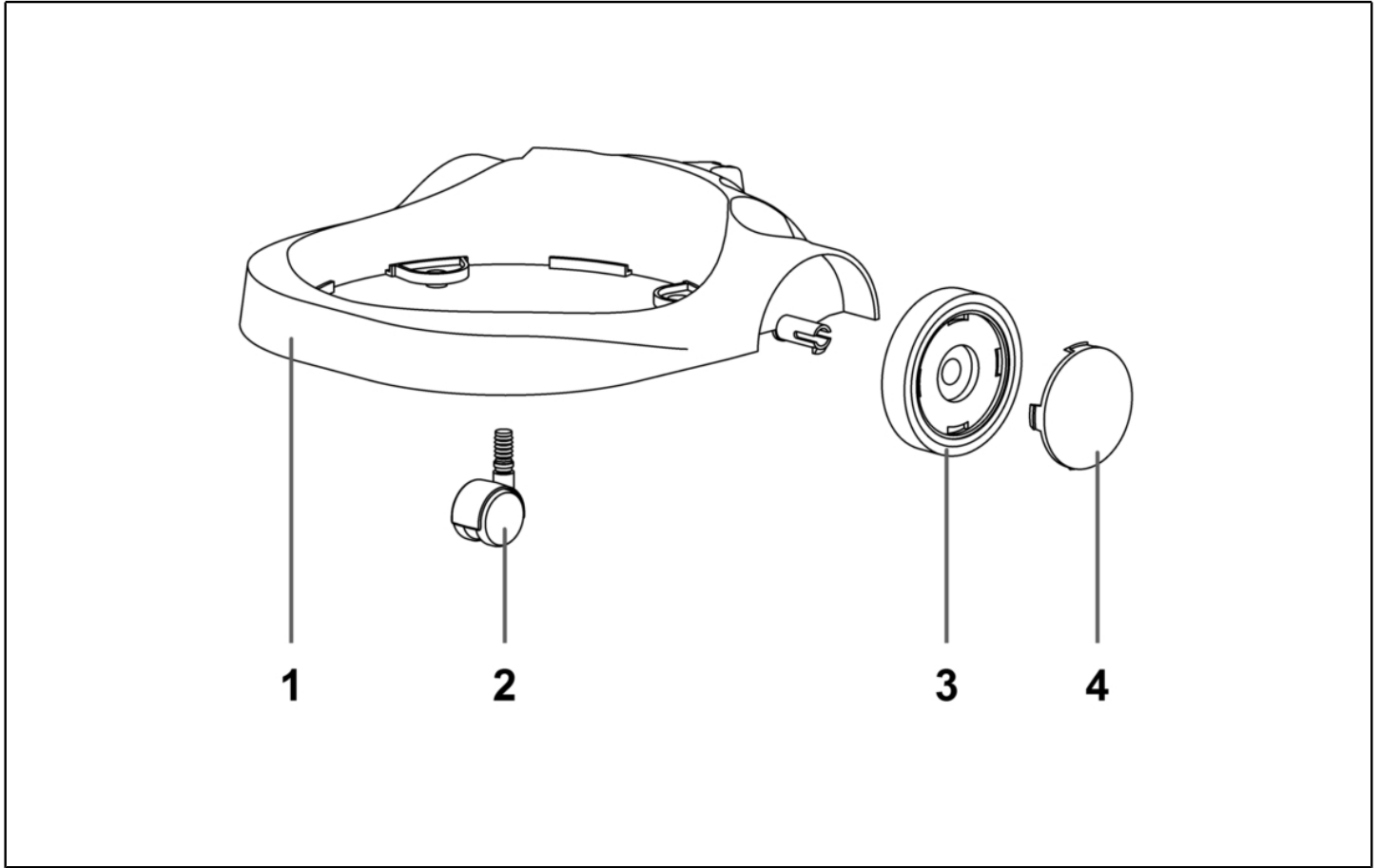
Ref. K	Part n.	Customer part n.	Description	Quantity	Validity		Price
					From	To	
*	F5VR00127	01106	CLAMP	1,00			--
*	MECB35712	01107	WIRE WITH RESISTANCE	1,00			--
*	MECB01579	01101 BX	CONN.WIRE C.420-GR-FF-FF48	1,00			--
*	MECB01452	021053	CONN.WIRE C.430 MOT-TP GR-FF-FF4.8	1,00			--
0001	MPVR08275	020725VEI	HANDLE TOPPER 500 GREEN IPC	1,00			--
0002	VTVT71961	01006	SCREW PFU TMT PHL 5X20 BLACK	1,00			--
0003	VTVT40007	03273	SCREW PAT TMT PHL 5X55 BLACK	2,00			--
0004	MPVR08293	020726NE	COVER TOPPER 500 NE	1,00			--
0005	VTVT88715	01004	SCREW PAT TCB 4,5X20 ZN BLACK	1,00			--
0006	VTVT71961	01006	SCREW PFU TMT PHL 5X20 BLACK	2,00			--
0007	MECI72195	00326	ANTISPLASH SWITCH	1,00			--
0008	MECB28672	00117	ELECTRIC CORD 2X1 MT.8,5	1,00			--
0009	MEVR28673	00138	FAIRLEAD	1,00			--
0010	MPVR28690	00139	CABLE CLAMP	1,00			--
0011	VTVT71961	01006	SCREW PFU TMT PHL 5X20 BLACK	1,00			--
0012	MECB01161	03464	TERMINAL BOARD 300-500 2P RAD	1,00			--
0013	FTDP38064	03937	FILTER MTP/65 H=15 D.95	1,00			--
0014	VTVT71971	01050	SCREW PAT TMT PHL 5X35 BLACK	6,00			--
0015	MPVR09134	02738-1VEI	COVERING 99 S/HOLES GREEN-IPC	1,00			--
0016	MPVR38371	03969	WASHER H8 D85X65	1,00			--
0017	MPVR86282	00310	RING MOTORE H=7 (15) PLAST.	1,00			--
0018	MPVR08115	020325 AU	CAP /ADAPTER F/MOT.BYPASS AU	1,00			--
0019	FTDP38066	03900	FILTER PHONO H=75	1,00			--
0020	VTVT71971	01050	SCREW PAT TMT PHL 5X35 BLACK	6,00			--
0021	MPVR08199	020717-1NE	MOTOR SUPPORT 08 X MOT.WL BLACK	1,00			--
0022	GUVR00413	020361	"C" GASKET D.130	1,00			--
0023	MOMO00402	020714	MOTOR BS282 WL 1000W 220-240	1,00			--
0024	GUGO40052	07890	L-GASKET D.130 H=9	1,00			--
0025	MPVR89143	07164	OUTDISTANCED SINGLE-STAGE H=13MM	1,00			--
0026	GUGO28683	03901	"L" GASKET W/O HOLES H=5,5	1,00			--
0027	FTDP38067	03866	WASHER MTP 65MM 18D 230X145	1,00			--
0028	PMBA00273	03190 GPNE	BASE 500 MONO W/GASK+PLAT	1,00			--
0029	VTVT01272	021621	SCREW TC CROSS M 5X45 UNI 7687	1,00			--



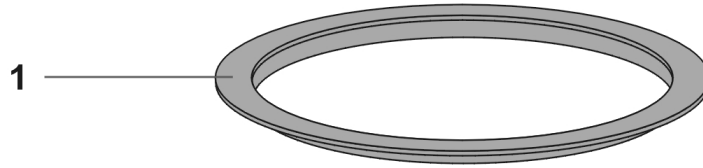
Ref. K	Part n.	Customer part n.	Description	Quantity	Validity		Price
					From	To	
0001	MPVR36522	00507	FILTER RING 500	1,00			--
0002	FTDP00547	02862 SAN	FILTER POLY AN3-500 CON REG H180	1,00			--
0003	MPVR35490	02861	LOWER CONICAL BASKET 300	1,00			--
0004	MPVR40521	021243NE	NET ANTIFOAM BODY HIGH	1,00			--
0005	RCGR40008	02676-1 G	HIGH FLOAT 99 W/GASKET 37 SHA	1,00			--
0006	MPVR35796	03706	PLASTIC SLEEVE D.8	4,00			--
0007	VTVT36751	03724	SCREW PAT TMT PHL 5X25	4,00			--
A	KTRIO2133	03292 SAN	KIT RING+FILT+BASK 500 CONIC. SAN	1,00			--



Ref. K	Part n.	Customer part n.	Description	Quantity	Validity		Price
					From	To	
0001	LAFN06644	01564	TANK 500/41 AISI 430	1,00			--
0002	VTVR71991	01301	RIVET 5X11	4,00			--
0003	CHVR28735	01847/SNE	COMPLETE PLASTIC HOOK BLACK	2,00			--
0004	VTVT71966	01026	SCREW PAT TMT PHL 5X30 BLACK	4,00			--
0005	GUGO28701	02846	GASKET D.38	1,00			--
0006	GUGO28736	02586NE	GASKET R 205 BLACK	1,00			--
0007	MPVR09047	02652 ANEVE-IPC	PIPE UNION R155 BLACK C/PUL.GR-IPC	1,00			--
0008	MPVR28696	02593	DEFLECTOR 99	1,00			--



Ref. K	Part n.	Customer part n.	Description	Quantity	Validity		Price
					From	To	
0001	MPVR40522	020744NE	TROLLEY TROLLEY BODY 500 VEGAS BL	1,00			--
0002	RTRT42006	00558	TROLLEY BOX WHEEL	2,00			--
0003	RTRT85778	06043	WHEEL BODY YES	2,00			--
0004	MPVR40523	06044NE	WHEEL COVERING YES BLACK	2,00			--



Ref. K	Part n.	Customer part n.	Description	Quantity	Validity		Price
					From	To	
0001	MPVR36522	00507	FILTER RING 500	1,00			--
0001	MPVR36522	00507	FILTER RING 500	1,00			--