

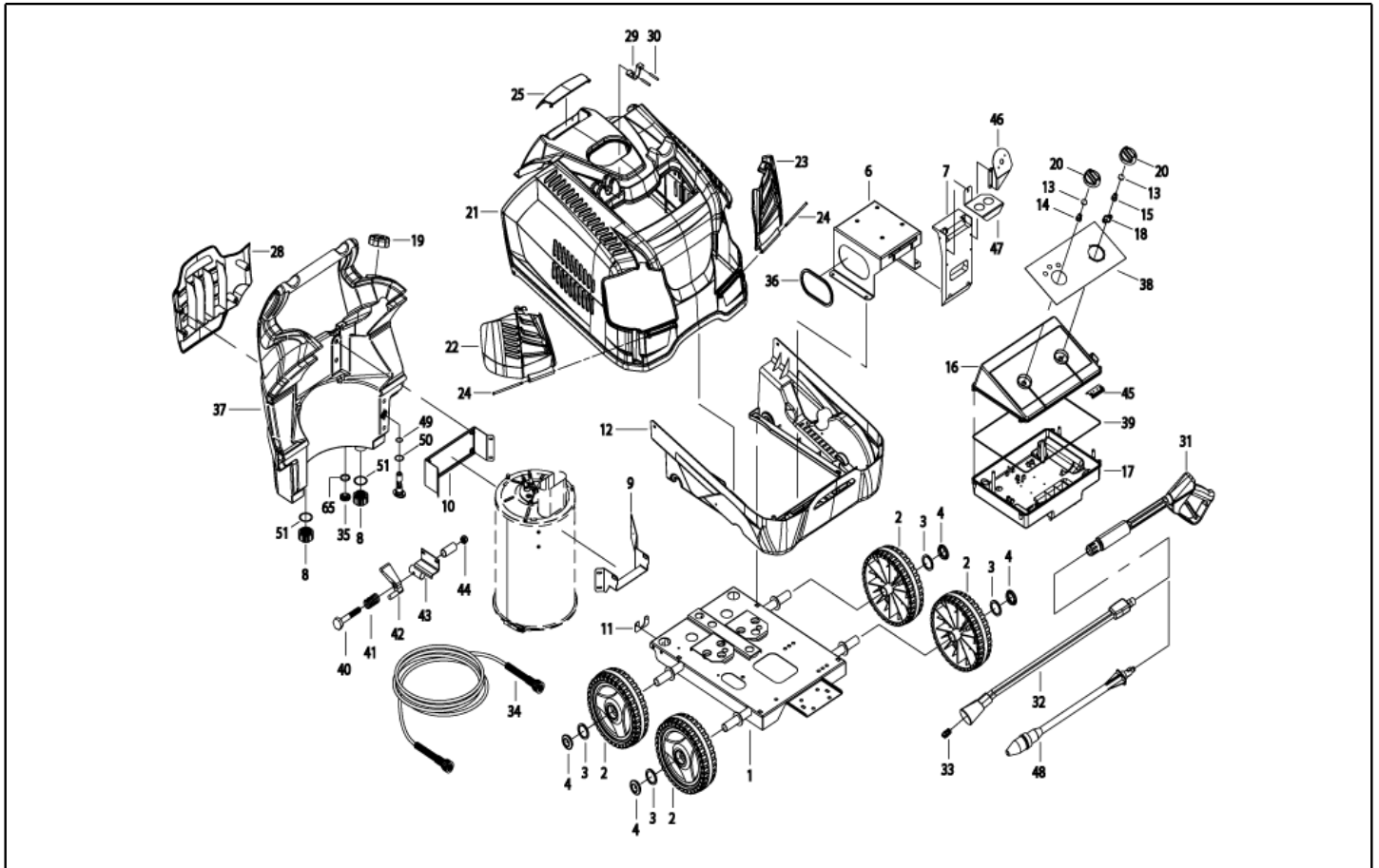


IPC

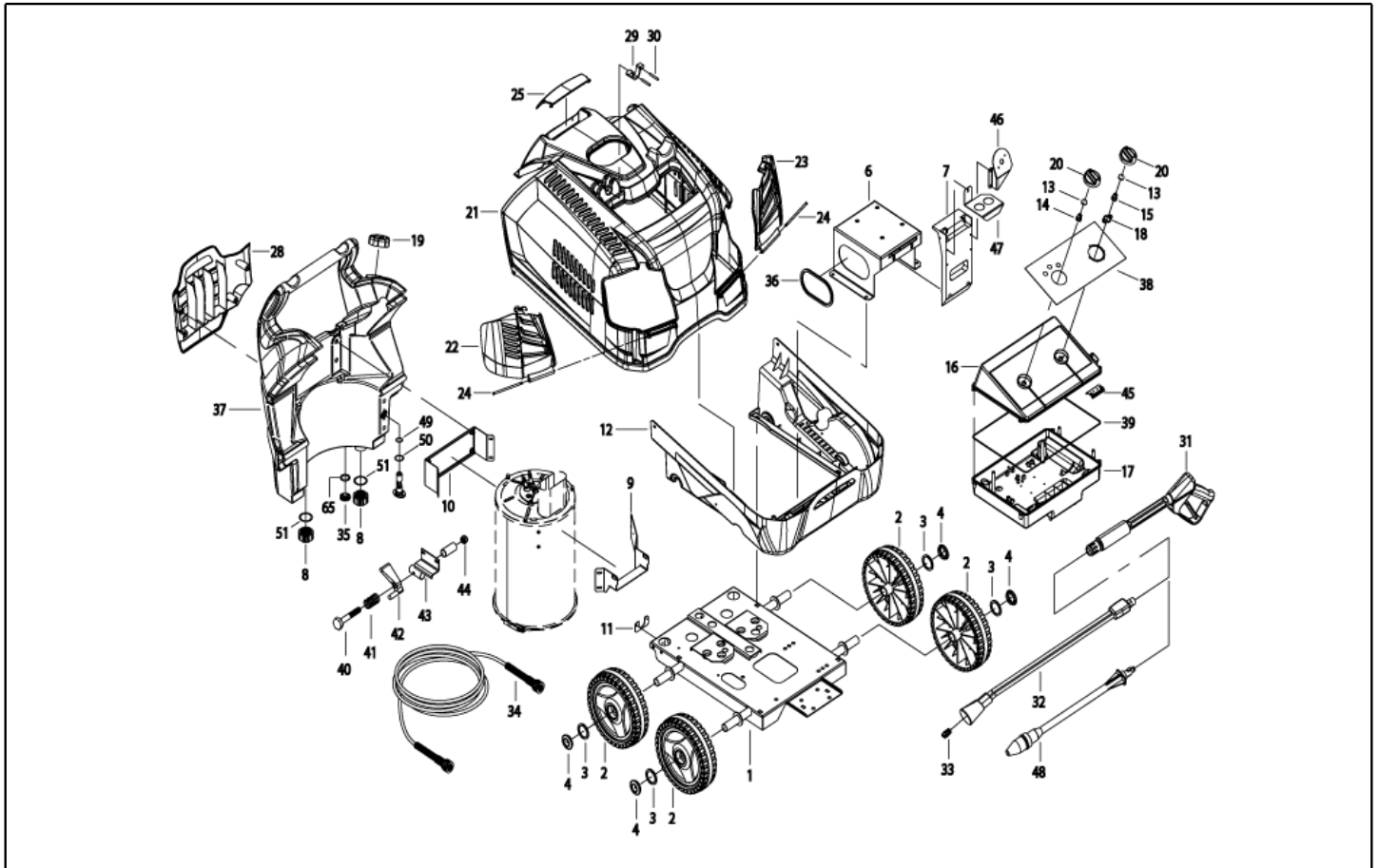
Spare parts list

Ref: IDAC41086

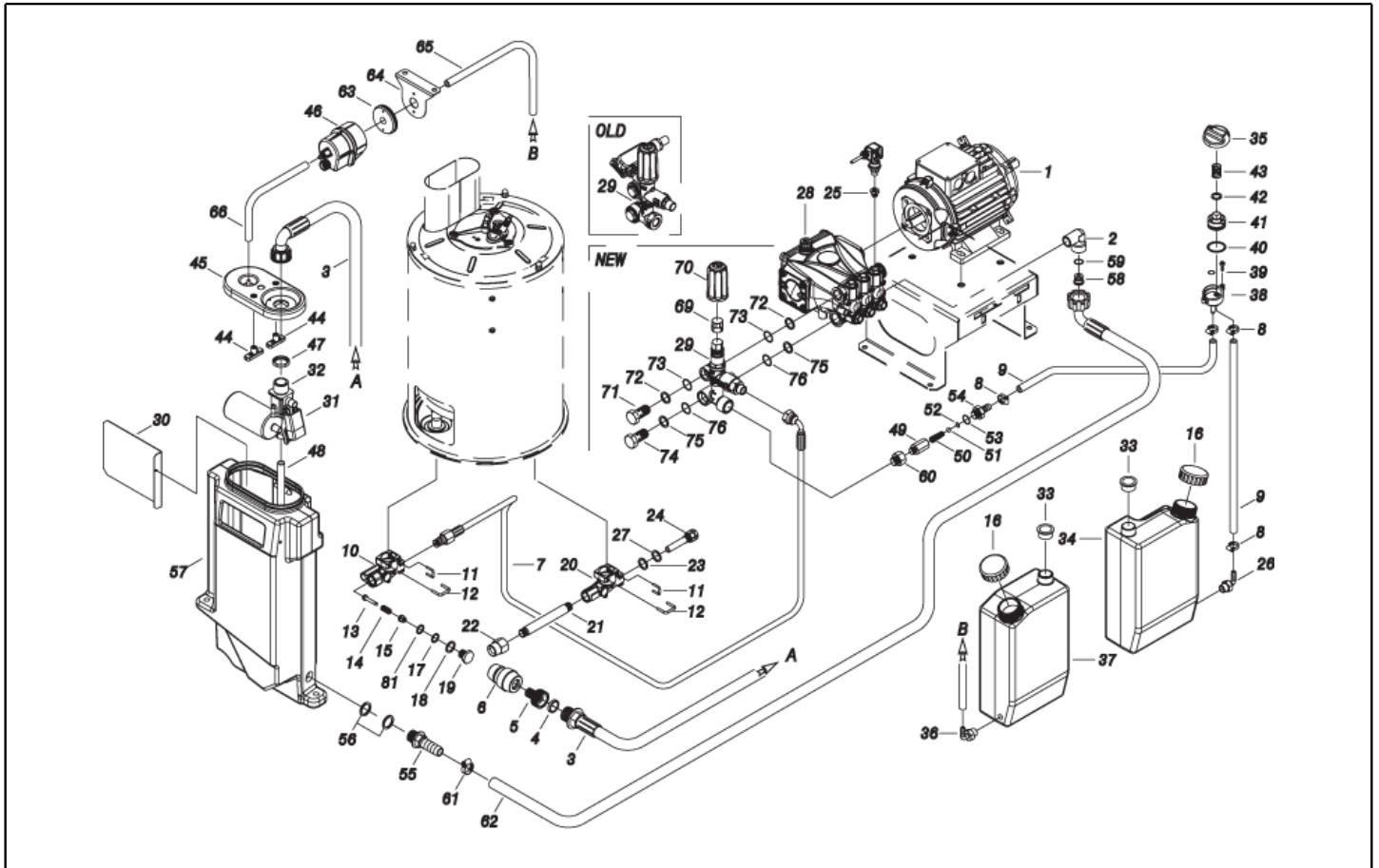
Model: H.P. CLEANER PW-H28/4 D1713Pm T400/50I



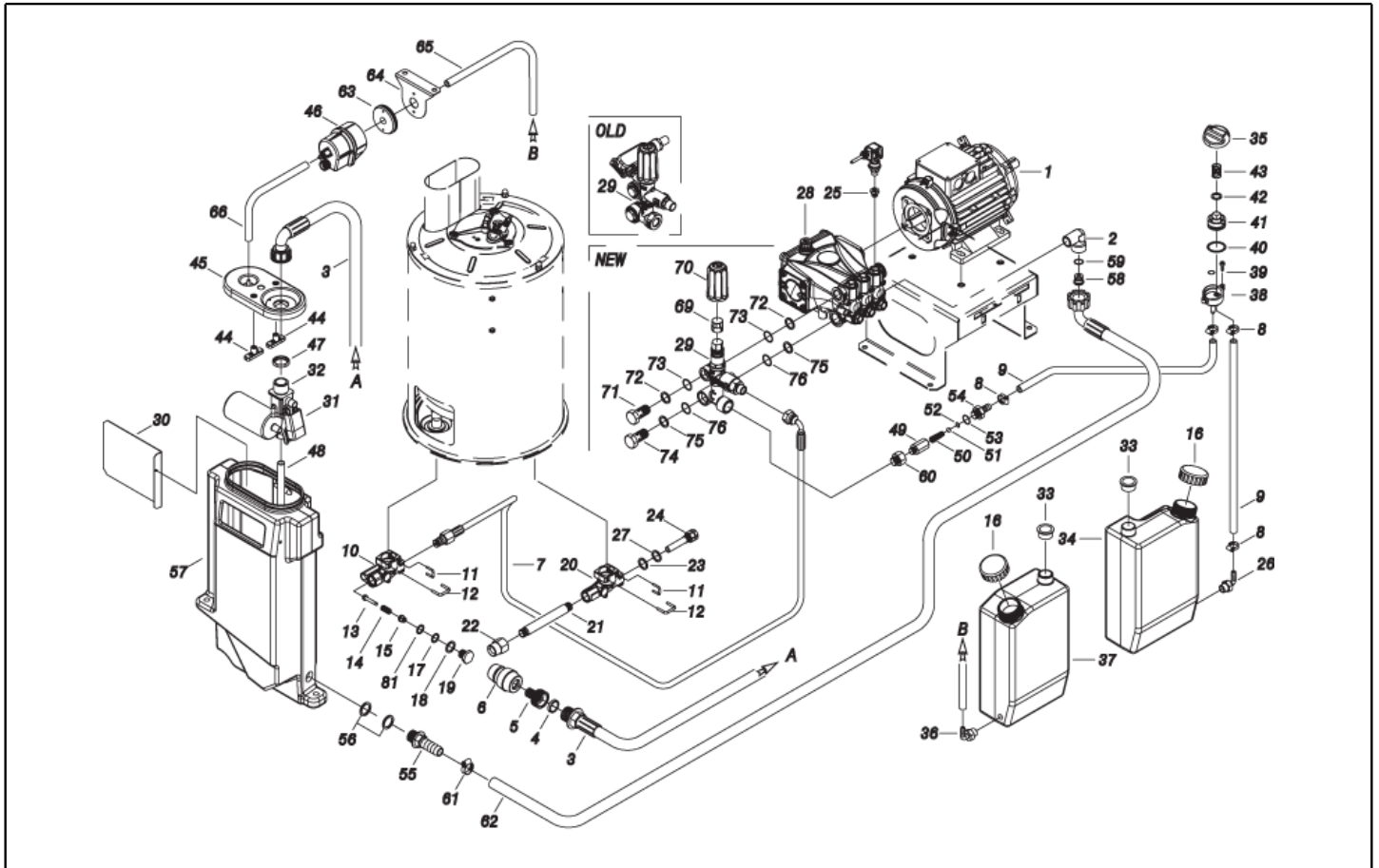
Ref. K	Part n.	Part n. 2	Description	Quantity	Validity		Price
					From	To	
0001	LAFN40712		CHASSIS PW-H28/4W BK.	1,00		19/10/2017	--
0001	LAFN40998		TROLLEY PW-H28/4W BK. 2V.	1,00	20/10/2017		--
0002	RTRT40041		WHEEL D.250-D.25X 65 RES BK.	4,00		14/09/2015	--
0002	RTRT40043		WHEEL D.250-D.25X 65 RES BK/GRN	4,00	15/09/2015		--
0003	VTRS09813		WASHER D.25	4,00			--
0004	MPVR40734		HUB CAP D.50 G-48/IPC GR.368C	4,00			--
0006	LAFN40710		MOTOR SUPPORT PW-H28 5.5HP ZC.	1,00			--
0007	MPVR33534		BOX SUPPORT MST PA 66	1,00			--
0008	MPVR20187		RING NUT M 39 X 3	2,00			--
0009	LAFN40727		SUPPORT PW-H28 PM ZC.	1,00			--
0010	LAFN40728		BRACKET PW-H28 PM ZC	1,00		19/10/2017	--
0010	LAFN40980		BRACKET PW-H28 PM/2 ZC	1,00	20/10/2017		--
0011	LAFN40707		BRACKET PW-H28 ZC	1,00			--
0012	MPVR40685		BLACK COVER PW-H28 INF.PP	1,00			--
0013	GUGO25527		O-RING D. 14 X 3 NBR 70SH	2,00			--
0014	MPVR23482		SWITCH TANG TEC. TUV	1,00			--
0015	MPVR23484		TAIL PIECE THERM.KSM TUV	1,00			--
0016	MPVR40689		BOX COVER PW-H28 ABS BK.	1,00			--
0017	MPVR40690		CONTROL BOX PW-H28 ABS BK.	1,00			--
0018	MPVR41903		THICKNESS TERM.IM.PA66	1,00			--
0019	MPVR40187		TANK CAP P215 PEHD C/F.	1,00			--
0020	MPVR49057		BLACK KNOB P176-M.RACE PA6	2,00			--
0021	MPVR40678		GREEN COVER PW-H28 SUP.PP GR.368C	1,00			--
0022	MPVR40680		DOOR PW-H28 DX PPL V.368C	1,00			--
0023	MPVR40682		DOOR PW-H28 SX PPL V.368C	1,00			--
0024	MPVR40692		PIN PW-H28 PP V.368C	2,00			--
0025	MPVR40684		DOOR PW-H28 PPL V.368C Pst	1,00			--
0028	MPVR40688		TOOL HOLDER PW-H28 PP BK.	1,00			--
0029	MPVR40485		RUBBER PW-H35 15-20BK.	1,00			--
0030	MPVR40534		PIN PW-H35 PP BK.	2,00			--
0031	IPPR40020		GRIP G 6000+P.330 +M22 SW.M V	1,00		14/06/2018	--
0031	IPPR40025		GRIP G 6000+P.330 +M22 SW.M 2V	1,00	15/06/2018		--
0032	LCPR12983		DOUBLE EXTENS. PD 70	1,00		09/11/2016	--
0032	LCPR89117		DOUBLE EXTENS. PD 70 M22 M -1/4F INX MV	1,00	10/11/2016		--
0033	UGLN11196		NOZZLE SPS 1/4 15035	2,00	01/03/2018		--
0033	UGLN49986		NOZZLE LECH 1/4 1504	2,00		28/02/2018	--
0034	TBAP44379		H.P. HOSE R1 MT 20 5/16" C/2 IRV ZC	1,00			--
0035	PVVR11806		DISCHARGE CAP FLL	1,00	01/07/2018		--
0035	RCVR40146		CAP 3/8 M OT.NIK EI 8 +OR	1,00		30/06/2018	--
0036	GUVR13437		EDGE H=10	0,40			--
0037	MPVR40676		TANK PW-H28 PE BK.	1,00			--
0038	ETET40724		LABEL PW-H28 PLC	1,00			--
0039	GUGO33675		JOINT MOUSSE D. 4	1,30			--
0040	VTVT14480		SCREW TE M 8X80 ZINC. UNI	1,00			--



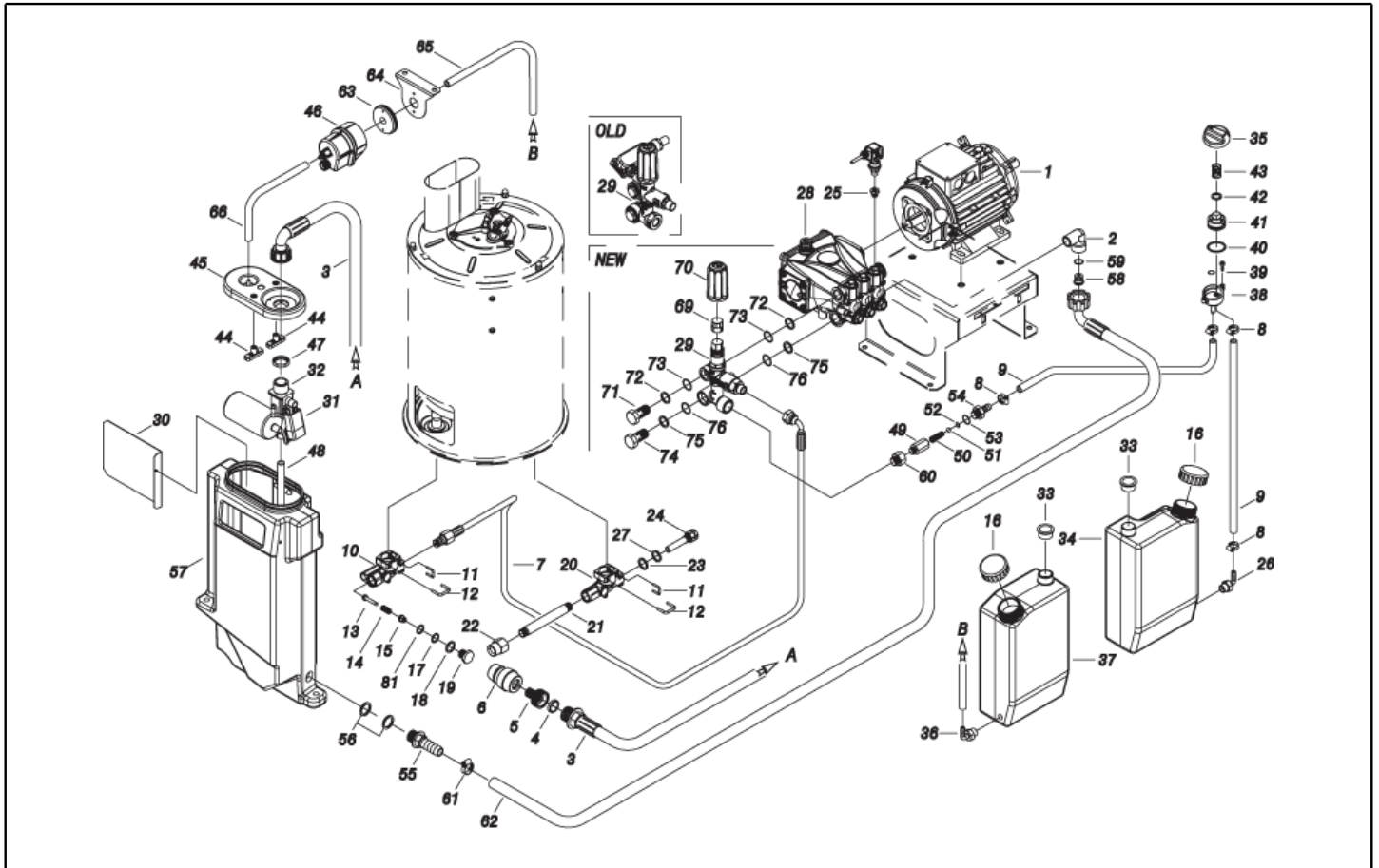
Ref. K	Part n.	Part n. 2	Description	Quantity	Validity		Price
					From	To	
0041	MLML11917		SPRING D. 14.5 X24 X2.2	1,00			--
0042	MPVR40751		TRIGGER H28/4W	1,00			--
0043	LAFN40713		BRACKET PW-H28/4W BK.	1,00			--
0044	VTDD00492		NUT M 8 ZINC	1,00			--
0045	LAFN46067		SUPPORT L.60 P176	1,00			--
0046	LAFN40721		SUPPORT PW-H28 ZC	1,00			--
0047	LAFN40731		BRACKET PW-H28 ZC.	1,00	01/03/2018		--
0047	GUGO40074		O-RING D. 37.47 X 5.34 NBR 70SH	2,00	01/07/2016		--
0048	LCPR40014		LANCE TURBO TPR-20+SF230 D.1.30	1,00			--
0065	GUGO11489		GASKET D.22X1,5	1,00	01/07/2018		--



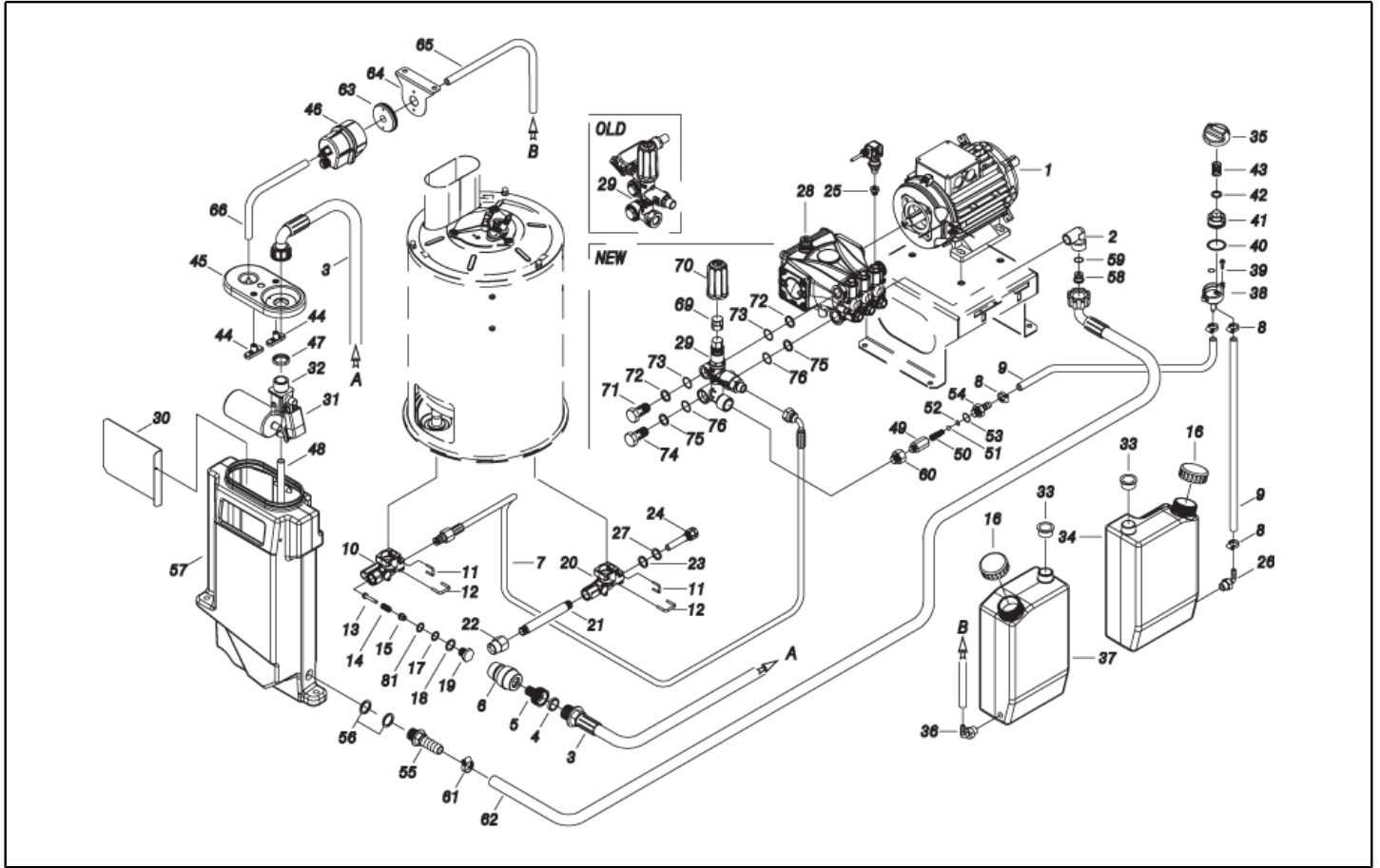
Ref. K	Part n.	Part n. 2	Description	Quantity	Validity		Price
					From	To	
0001	MOTR40043		3PH MOTOR H35 HP 5.5 400-50 2P ED	1,00			--
0002	RCDS87610		NIPPLE 3/4 - 1/2 CB D.13.0	1,00		28/02/2018	--
0002	RCVR40153		ELBOW 3/4"-1/2" M OT.	1,00	01/03/2018		--
0003	TBBP40084		L.P. HOSE L=880 3/4F 90° -3/4M 0°	1,00		28/02/2018	--
0003	TBBP40085		L.P. HOSE L=1060 3/4F90°-3/4M 0°	1,00	01/03/2018		--
0004	FTDT12702		FILTER PA	1,00			--
0005	RCVR29600		SOCKET PTC 3/4 F	1,00			--
0006	RCVR29602		CONNECTOR D. 1/2"-5/8" PTC	1,00			--
0007	TBAP40164		HOSE-FITTING 1/4 R1 L=550 3/8F90°-90°	1,00		28/02/2018	--
0007	TBAP40166		TUBE 1/4 RACC L=645 R1 PW-H28	1,00	01/03/2018		--
0008	FSVR00427		CLAMP D. 12 CLIC 66-110	2,00			--
0008	FSVR00427		CLAMP D. 12 CLIC 66-110	2,00	01/03/2018		--
0009	TBBP00051		DETERGENT HOSE D. 6-12	0,65			--
0009	TBBP00051		DETERGENT HOSE D. 6-12	0,35			--
0009	TBBP00051		DETERGENT HOSE D. 6-12	1,50		28/02/2018	--
0010	S MFVR40062		CONNECTOR PW-H28 AL. INL.	1,00			--
0011	LAFN37625		PLUG "U" T-STOP PRM INX	2,00			--
0012	LAFN87846		PLUG "U" P191 INX	2,00			--
0013	S RCDS40215		SMALL PISTON V.SC. P191/200 OT.	1,00			--
0014	S MLML40035		SPRING D. 8.8X21 X2.5 INX	1,00			--
0015	S RCDS40214		BUSHING V.SC. P191/200 OT.	1,00		14/07/2017	--
0015	S RCDS40263		BUSHING V.SC. P191/200 2V. OT.	1,00	15/07/2017		--
0016	MPVR40756		TANK CAP KSM C/F.	1,00			--
0016	MPVR40756		TANK CAP KSM C/F.	1,00			--
0017	S GUGO37529		O-RING D. 5,23 X 2,62 NBR 70SH	1,00			--
0018	S GUGO25527		O-RING D. 14 X 3 NBR 70SH	1,00			--
0019	S RCDS87757		VALVE TAP P191 OT.	1,00			--
0020	MFVR40063		CONNECTOR PW-H28 AL. OUT.	1,00			--
0021	RCDS40210		CONNECTOR L= 58 2X3/8M CN. ZC.	1,00		31/07/2015	--
0022	RCIN09348		MALE COUPLING 3/8MA L=32	1,00			--
0023	GUGO27030		O-RING D. 6 X 3 VIT 70SH	1,00			--
0024	RCDS40211		SUMP PW-H28 D. 15 OT.	1,00			--
0025	PVVR40183		CAP AR RC C/F. 1/8F+OR	1,00	01/07/2018		--
0026	RCVR89548		HOSE FITTING "L" 1/8M D.7 OT.NK	1,00			--
0026	FTDT04648		FILTER PG. D.6 PLS	1,00		28/02/2018	--
0027	VTRS40025		WASHER D. 6.6X11.75X2 OT.	1,00			--
0028	PPAP40100		PUMP RCS 11.17 DX ND	1,00			--
0029	VVAZ40066		VALVE VRZ-RC +TSS L.90 SI	1,00		29/02/2016	--
0029	VVAZ40079		VALVE VRF-2 AR-R PPr Si.	1,00	01/03/2016		--
0030	LAFN40732		PANEL PW-H28 INX	1,00			--
0030	EIDT40013		EJECTOR 3/8-3/8 M/M D.1.8 MV200	1,00		28/02/2018	--
0031	RCGR60703		FLOATER MTM 3/4 PP. S/F.	1,00			--
0031	RCDS40213		CONNECTOR G3/8 F MV200 ZC	1,00		28/02/2018	--
0032	MPVR88419		ADAPTER P245 PA6 BK.	1,00			--



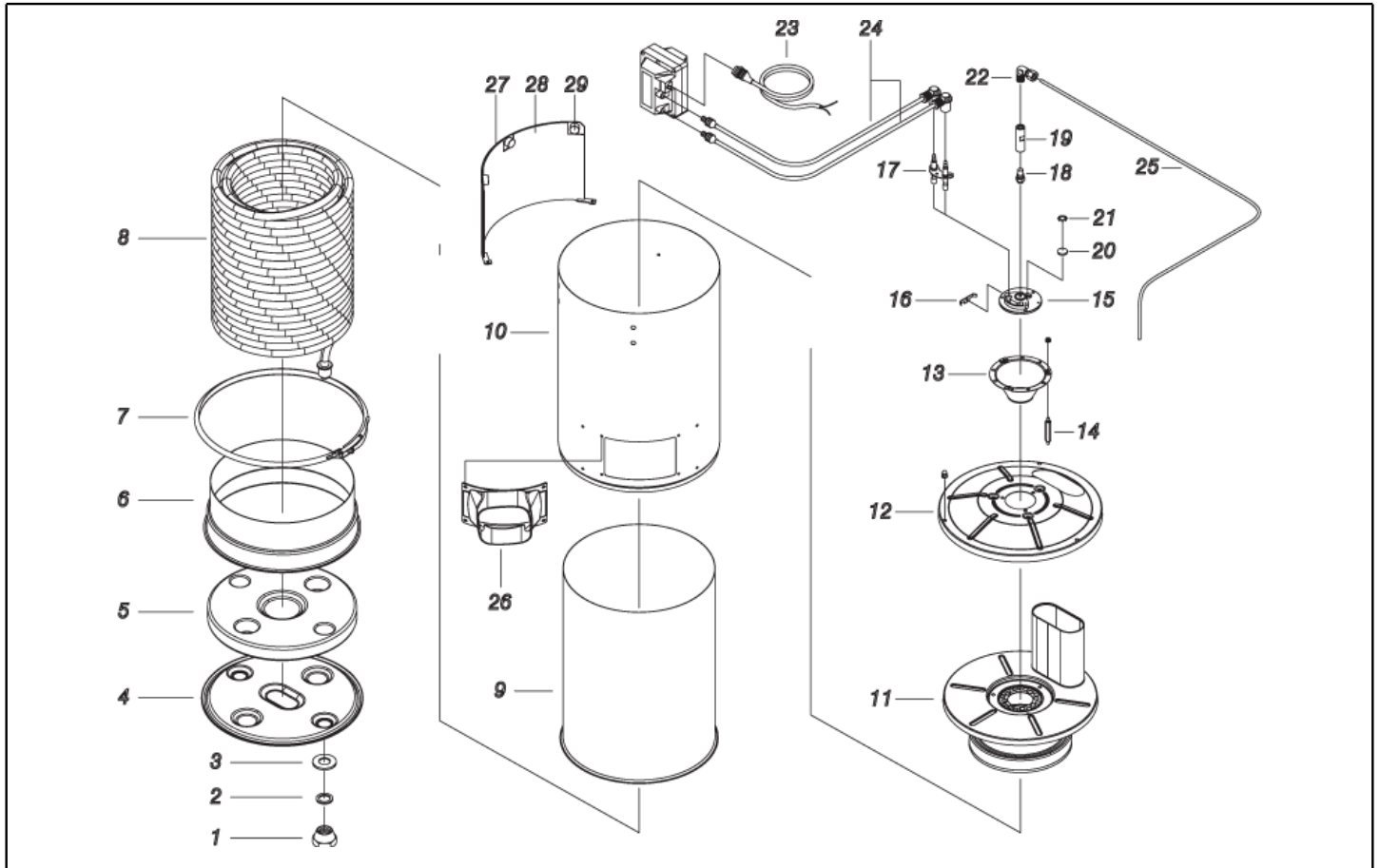
Ref. K	Part n.	Part n. 2	Description	Quantity	Validity		Price
					From	To	
0032	GUGO28927		O-RING D. 9.13 X 2.62 NBR 70SH	1,00		28/02/2018	--
0033	MPVR18582		CAP D.22	1,00			--
0033	MPVR18582		CAP D.22	1,00		31/01/2019	--
0033	MPVR40994		CAP D.31	1,00	01/02/2019		--
0034	MPVR40706		TANK PW-H28 PEHD NT.	1,00			--
0035	PVVR40273		ADAPTER VRF-2 RG.	1,00	01/03/2016		--
0035	MPVR25533		GREY KNOB PRT-AC	1,00	01/03/2018		--
0036	RCVR40151		HOSE FITTING "L" 1/8M D.5 OT.NIK	1,00			--
0037	MPVR40707		TANK PW-H28 PEHD NT.	1,00		31/01/2019	--
0037	MPVR40990		TANK PW-H28 PEHD NT. 2V.	1,00	01/02/2019		--
0038	RCGR08069		TAP BODY DET. PRT	1,00			--
0039	GUGO08071		O-RING D. 4.48 X 1.78 NBR 70SH	1,00			--
0040	GUGO12183		O-RING D. 23.4 X 3.53 VIT 70SH	1,00			--
0041	RCGR08070		ADJUSTER PRT	1,00			--
0042	VTRS00542		WASHER D.14X20	1,00	01/03/2018		--
0043	MLML08068		SPRING D.1,5 L.23	1,00	01/03/2018		--
0044	MPVR89078		PLATE P190 PA6 BL.	2,00			--
0045	MPVR40516		TANK COVER P190-35 PA6 BL.	1,00			--
0046	MEPD22718		DESCALING PUMP NME-1 220V CPL.	1,00			--
0047	RCVR49974		RING NUT 3/4" X 4 NIK	1,00			--
0048	TBBP40105		L.P. HOSE D.12-17 CRISTALL	0,08	15/06/2016		--
0049	RCDS46072		VALVE BODY N/R 1/4F-1/4 P176 OT	1,00	01/03/2018		--
0050	MLML21505		SPRING D. 8 X5 X0.3	1,00	01/03/2018		--
0051	SFVR04274		BALL D. 7/32	1,00	01/03/2018		--
0052	GUGO01055		O-RING D. 5.28 X 1.78 VIT 70SH	1,00	01/03/2018		--
0053	GUGO01036		O-RING D. 10.82 X 1.78 NBR 70SH	1,00	01/03/2018		--
0054	RCDS10546		VALVE SEAT 1/4M + PG. D.3-7.5 OTT	1,00	01/03/2018		--
0055	RCVR40154		HOSE FITTING PPL D.19 -G.1/2M	1,00			--
0056	GUGO40060		GASKET D. 21.0-33 X 2.5 EPDM	2,00			--
0057	MPVR40705		WATER TANK PW-H28 PEHD NT.	1,00			--
0058	MPVR40743		WATER NOZZLE PW-H28 D. 8 PVC	1,00	01/03/2018		--
0059	GUGO01060		O-RING D. 9.92 X 2.62 NBR 70SH	1,00	01/03/2018		--
0060	RCVR02606		REDUCTION 1/2-1/4 M/F	1,00	01/03/2018		--
0061	FSVR00431		CLAMP D. 16-25	1,00			--
0062	TBBP40086		L.P. HOSE L=290 3/4F 90° -LIB.19X26	1,00			--
0063	MPVR44324		SUPPORT NM1-P105 PVC	1,00	01/03/2018		--
0064	LAFN40720		SUPPORT A.CALC. PW-H28 ZC	1,00	01/03/2018		--
0065	TBBP00058		L.P. HOSE D. 4- 7	0,26	01/03/2018		--
0066	FSVR40008		CLAMP D. 13.5 CLIC	1,00	01/03/2018		--
0066	FSVR40008		CLAMP D. 13.5 CLIC	1,00		28/02/2018	--
0066	TBBP85832		L.P. HOSE D. 5- 8	0,50	01/03/2018		--
0070	MPVR40589		BLACK KNOB ST 260 IPC	1,00	01/03/2016		--
0071	RCDS40172		SCREW 3/8 VRF-2 OT 4F.	1,00	01/03/2016		--
0072	VTRS00548		WASHER D.17,5X23X1,5 (3/8)RM	2,00	01/03/2016		--



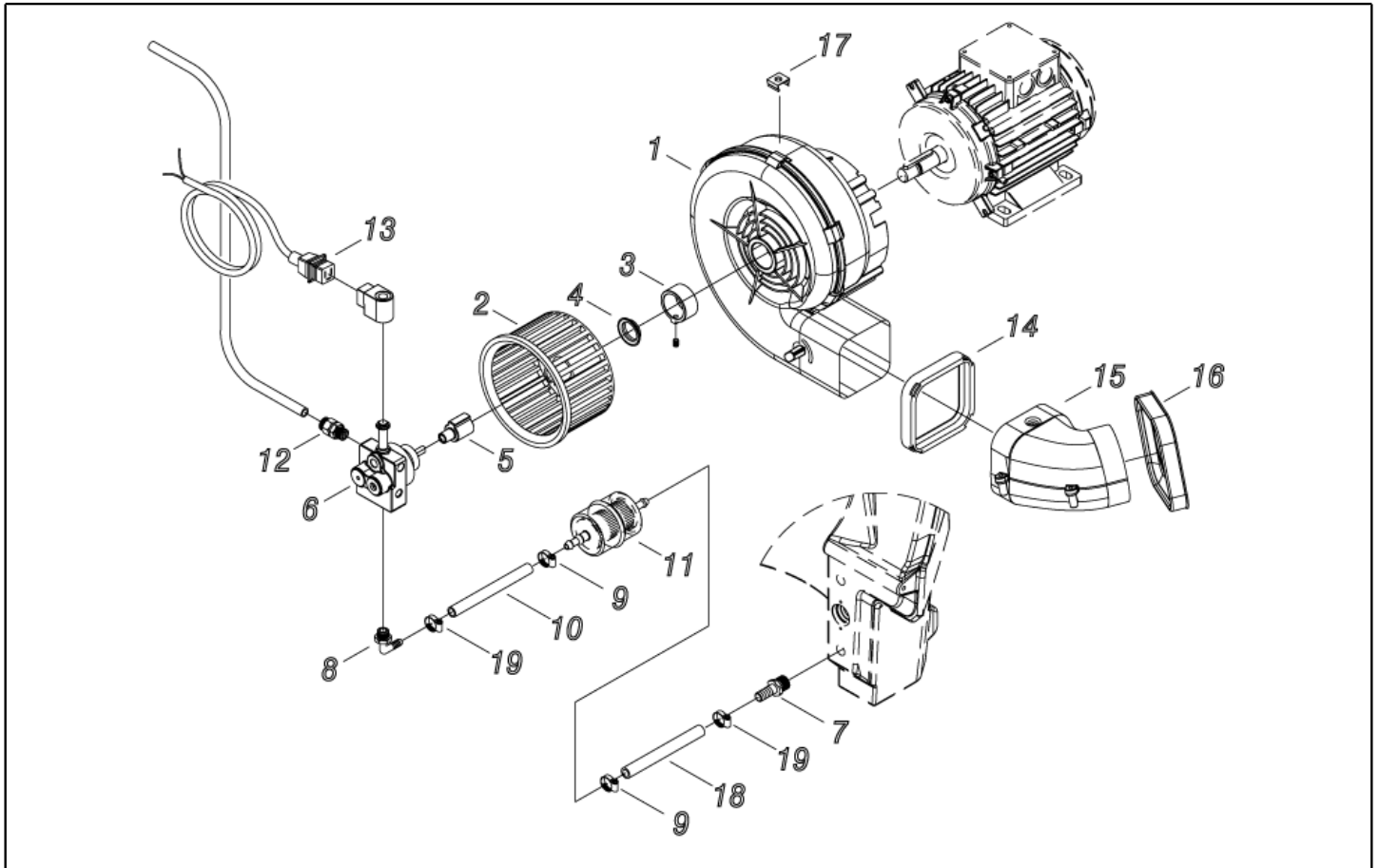
Ref. K	Part n.	Part n. 2	Description	Quantity	Validity		Price
					From	To	
0073	GUGO03510		O-RING D. 12.37 X 2.62 NBR 70SH	2,00	01/03/2016		--
0074	RCDS40171		SCREW G 1/2 VRF-2 OT. 2F.	1,00	01/03/2016		--
0075	VTRS00549		WASHER D.21.5X27X1.5 (1/2) RM	1,00	01/03/2016		--
0076	GUGO01048		O-RING D. 15.88 X 2.62 NBR 70SH	2,00	01/03/2016		--



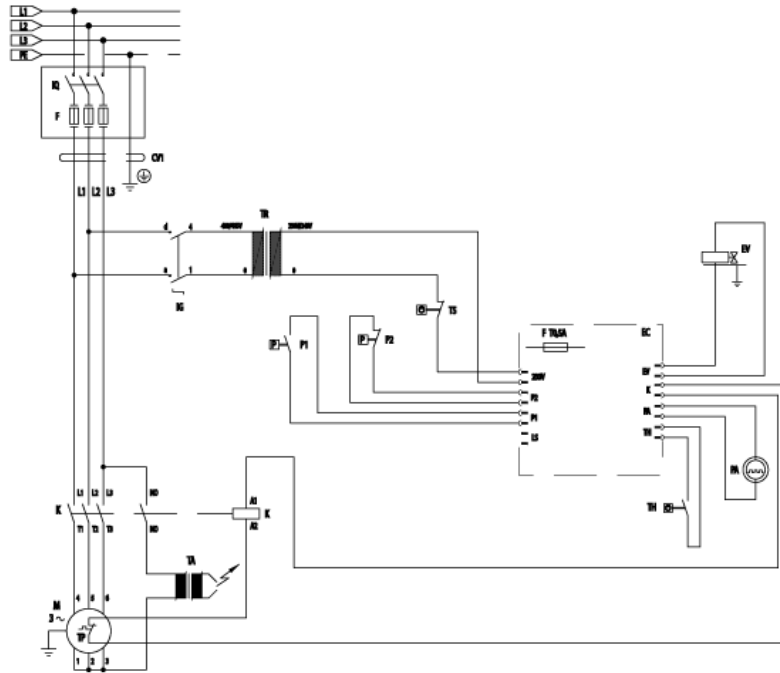
Ref. Part n.	Part n. 2	Description	Reference	Price
KTRI40482		KIT P 14- 65 PW-H28 200b.	0010 0013 0014 0015 0017 0018 0019	--



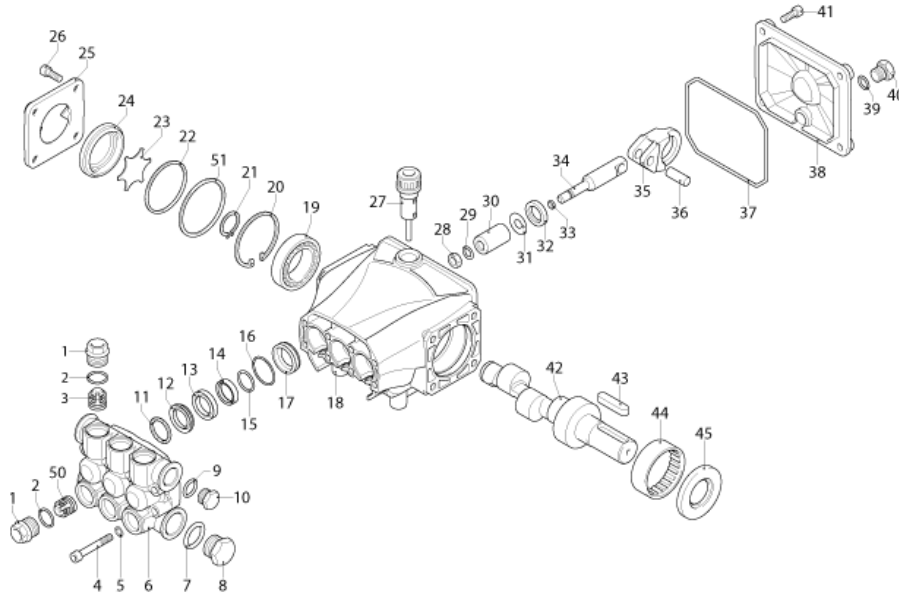
Ref. K	Part n.	Part n. 2	Description	Quantity	Validity		Price
					From	To	
0001	RCDS40208		RING NUT M 27 X 1,5 ZC	2,00			--
0002	GUGO40059		O-RING D. 16 X 4 VIT 70SH	2,00			--
0003	GUVR21021		ANTI-EXTR.RING D. 21 X17 TEF.	2,00			--
0004	LAFN44149		BOILER BOTTOM P176	1,00			--
0005	ITTE44175		BOTTOM P176 C.TE	1,00			--
0006	LAFN40733		BAND P176-H28 INX	1,00			--
0007	LAFN40037		RING D.342 P176 ZN 2V.CPL.	1,00			--
0008	LAGR40032		DOUBLE COIL M27X1.5 H28 24MT. SP.2.35	1,00			--
0009	LASL40101		INT. CYLINDER PM INX	1,00			--
0010	LAFN40581		EXT. CYLINDER PM-H35 INX	1,00			--
0011	LAFN40269		BOILER COVER SI PM INX	1,00			--
0012	LAFN40270		BOILER COVER SE PM INX	1,00			--
0013	LAFN44244		BAFFLE P176 30M INX	1,00			--
0014	LAFN40271		PIN CH.10 X 67.7 M5M/M5M PM	3,00			--
0015	MFVR18226		ELECTR.HOLDER FUT 3°V	1,00			--
0016	LAFN07641		PLATE INX	1,00			--
0017	MECA12525		ELECTRODE FUT	1,00			--
0018	UGBR22575		BURNER NOZZLE DANF. 1.00 60 S	1,00			--
0019	RCDS07642		NOZZLE HOLDER FUT	1,00			--
0020	MPVR18228		OIL WARN-LIGHT D.17 X3	1,00			--
0021	VTAE22633		SEEGER 0.4 X18,30X10,5	1,00			--
0022	RCVR08954		ELBOW 1/8"-4 B5	1,00			--
0023	MECB34463		CABLE BT L=800 SP. FD	1,00			--
0024	MECV35334		CABLE A.T. 9,8-23KOHMM L= 400P	2,00			--
0025	TBCO40063		DIESEL HOSE PW-H28/5,5-PM D. 4 IX	1,00			--
0026	MPVR88426		CONVEYOR P176 PA6 BK.	1,00			--
0027	LAFN40996		PANEL PW-H28/JP ZC	1,00	20/10/2017		--
0028	ITTE40012		PROTECTION PW-H28 VT1100	1,00	20/10/2017		--
0029	MPVR40950		SPACER D. 2.5-20 L=12 PTFE	3,00	20/10/2017		--



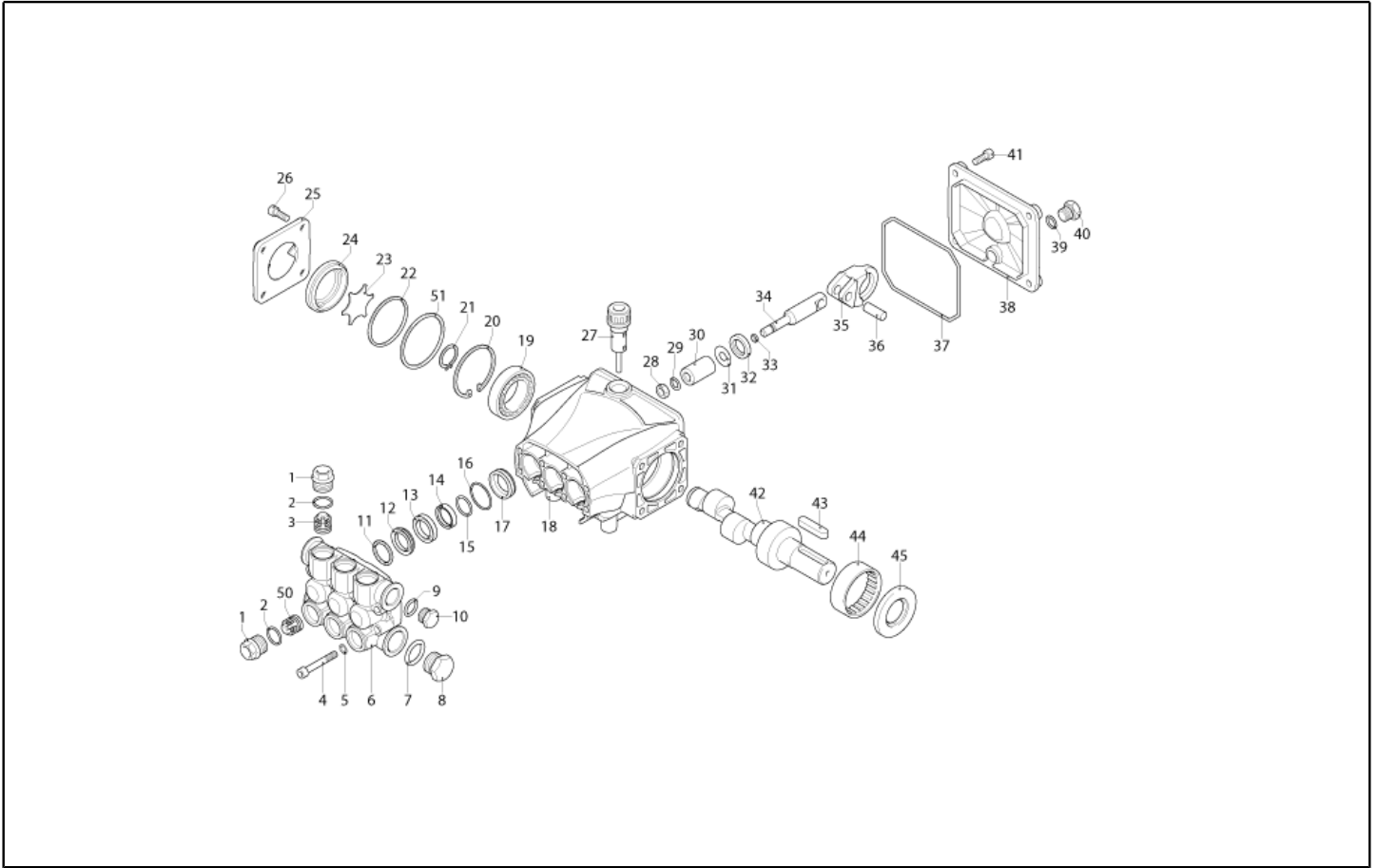
Ref. K	Part n.	Part n. 2	Description	Quantity	Validity		Price
					From	To	
0001	MPVR26987		SCROLL KSM CPL.	1,00			--
0002	VEVR20128		IMPELLER KSM D.140 29P. PA66	1,00			--
0003	RCDS20417		BUSHING KSM	1,00			--
0004	LAFN21890		BUSHING D. 25	1,00			--
0005	FGGT49223		JOINT KSM/P190 2V. PP	1,00			--
0006	PPGS40011		FUEL PUMP DNF BFA 01R3L1	1,00			--
0007	RCVR40113		HOSE FITTING 1/8 M D. 5-7 NIK	1,00			--
0008	RCVR72873		HOSE FITTING "L" 1/4M - D.7 OT.NK	1,00			--
0009	FSVR11197		CLAMP D.12.9-13.6	2,00			--
0010	TBCO06945		L.P. HOSE D. 6-12 10BAR C.PRESS	0,11			--
0011	FTCO10912		FILTER FB 13/T NYL.	1,00			--
0012	RCVR14014		BI-CONE CONNEC. DTT 1/8" M B1 D. 2/ 4 NIK	1,00			--
0013	MECB41542		CABLE DLT L= 700	1,00			--
0014	GUGO20124		GASKET KSM	1,00			--
0015	MPVR40708		CONVEYOR K-H28/PM 2PZ.	1,00			--
0016	GUGO88425		GASKET P245 EPDM	1,00			--
0017	VTVR20127		CLIP KSM	5,00			--
0018	TBCO06945		L.P. HOSE D. 6-12 10BAR C.PRESS	0,60			--
0019	FSVR00427		CLAMP D. 12 CLIC 66-110	1,00			--



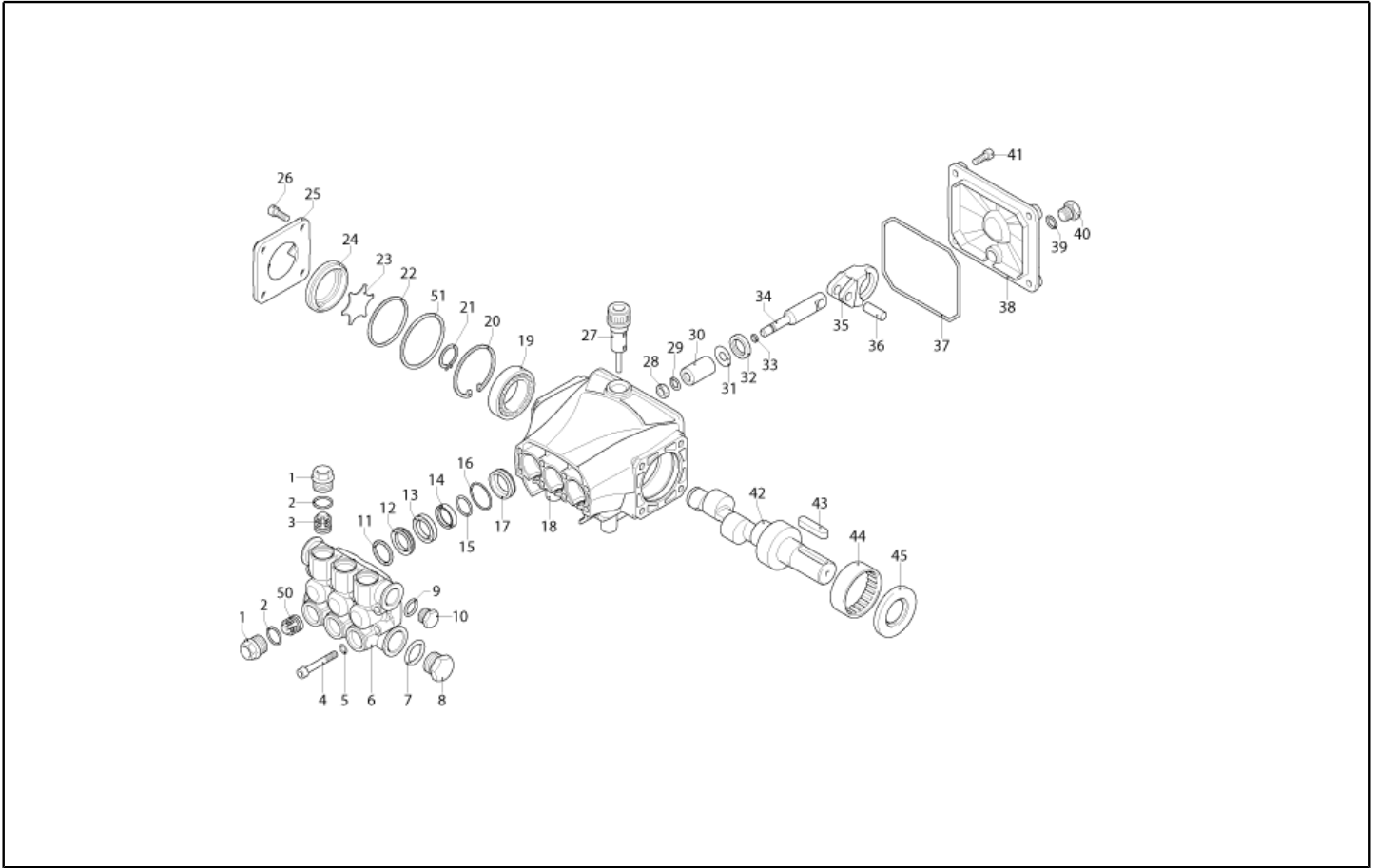
Ref. K	Part n.	Part n. 2	Description	Quantity	Validity		Price
					From	To	
EC	MECE40051		PCB PW-H28 T-ST PREMIUM 2P	1,00			--
EV	MEBE43705		COIL DNF 220-50	1,00			--
IG	MECI40033		SWITCH GTK BP. 0-1 16(8)A	1,00			--
P2	MEPF40035		PRESSURE SWITCH PR 5 1/8M 40BAR	2,00	01/07/2018		--
P2	MEPF40022		PRESSURE SWITCH PR 5 3/8M 40BAR	1,00		30/06/2018	--
P2	MEPF40035		PRESSURE SWITCH PR 5 1/8M 40BAR	1,00		30/06/2018	--
TA	METR88630		TRANSFORMER 23/240V-5/60HZ 2X26KV TR.	1,00			--
TH	METK40014		THERMOSTAT 40-154° L=1200 NT/133	1,00			--
TS	METK40007		THERMOSTAT 65°C NSP-040 PT RIPR.	1,00			--
CV1	MECB40002		CABLE H07 RNF 4X1.5 L=6.500	1,00			--
K	METT40009		CONTACTOR SIE 3RT 2016-1AP01 230V	1,00			--
TR	METR40016		TRANSFORMER 35VA 0-400/230 5/60HZ PMA	1,00			--



Ref. K	Part n.	Part n. 2	Description	Quantity	Validity		Price
					From	To	
0001	PVVR40120		CAP AR RC	6,00			--
0002	GUGO03505		O-RING D. 15.6 X 1.78 NBR 70SH	6,00			--
0003	S VVAM40002		VALVE UNIT RC	3,00			--
0004	VTVT06236		SCREW TCCE UNI 5931 6X40 ZB	8,00			--
0005	VTRS01077		WASHER D. 6.4X10X0,7	8,00			--
0006	MFVR40026		HEAD AR RCS OT.	1,00			--
0007	GUGO19245		O-RING D. 17.5 X 2 NBR 70SH	1,00			--
0008	PVVR40121		CAP 1/2 M RC	1,00			--
0009	GUGO09720		O-RING D. 14 X 1.78 NBR 70SH	1,00			--
0010	PVVR40099		CAP 3/8 M HRM	1,00			--
0011	S PVVR40158		HEAD RING D. 15 RCS	3,00			--
0012	S GUVR40028		PACKING D. 15 XJS	3,00			--
0013	PVVR40159		INTERMED. RING D. 15 RCS	3,00			--
0014	S GUVR40041		PACKING D. 15 RCS L.P.	3,00			--
0015	S GUVR40042		ANTI-EXTR.RING D.15	3,00			--
0016	S GUGO08182		O-RING D. 21.91 X 1.78 NBR 70SH	3,00			--
0017	PVVR40160		PACKING RETAIN. D. 15 RCS	3,00			--
0018	MFVR40027		PUMP CRANKCASE AR RCS	1,00			--
0019	CUVR28336		BALL BEARING 6304	1,00			--
0020	VTAE09661		CIRCLIP D. 52 UNI 7437	1,00			--
0021	VTAE06193		CIRCLIP D. 20 UNI 7435	1,00			--
0022	GUGO02561		O-RING D. 47.3 X 2.62 NBR 70SH	1,00			--
0023	PVVR40125		DISC RC	1,00		31/03/2016	--
0023	PVVR40472		OIL INDICATOR RC CPL.	1,00	01/04/2016		--
0024	PVVR40126		OIL INDICATOR RC	1,00		31/03/2016	--
0025	MFVR40021		CRANKCASE COVER AR RC LT.	1,00			--
0026	VTVT01531		SCREW TE 6X 16 UNI 5739	4,00			--
0027	PVVR19231		OIL CAP XTS	1,00		31/03/2014	--
0027	PVVR40436		OIL CAP RC	1,00	01/04/2014		--
0028	VTDD00483		NUT M 8 ZIN UNI 5588	3,00			--
0029	VTRS19394		WASHER D. 8X13X0.5	3,00			--
0030	S PIVR19232		PISTON D. 15 XTS	3,00			--
0031	PVVR19233		DISC XTS	3,00			--
0032	S GUGO09690		OIL SEAL 15X 24X 5 NBR70	3,00			--
0033	GUGO08071		O-RING D. 4.48 X 1.78 NBR 70SH	3,00			--
0034	PVVR40127		PISTON GUIDE RC	3,00			--
0035	BLVR40001		CONNECTING ROD RC	3,00			--
0036	PVVR40128		GUDGEON D. 9X23 RC	3,00			--
0037	GUGO18695		O-RING D. 101.27 X 2.62 NBR 70SH	1,00			--
0038	MFVR40022		CRANKCASE COVER AR RC	1,00			--
0039	GUGO01036		O-RING D. 10.82 X 1.78 NBR 70SH	1,00			--
0040	PVVR40129		CAP 1/4 M RC	1,00			--
0041	VTVT09913		SCREW TCEI 6X16 UNI5931	4,00			--
0042	ALMO40036		SHAFT AR RCS 11LT VRS. ND	1,00			--



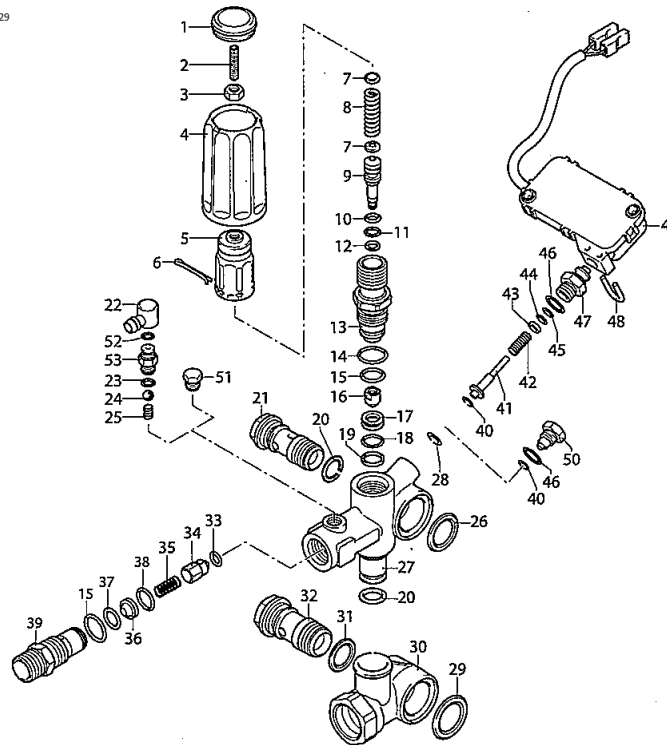
Ref. K	Part n.	Part n. 2	Description	Quantity	Validity		Price
					From	To	
0043	VTVR41531		KEY 8X 7X35 UNI 6604A	1,00			--
0044	CUVR23636		ROLLER BEARING HK 4516	1,00			--
0045	S GUGO00999		OIL SEAL 25X 52X 7 NBR70	1,00			--
0050	S VVAM40007		VALVE UNIT RC ASP. BK	3,00			--
0051	PVVR40437		RING D. 51.8 X0.5	1,00	01/04/2014		--



Ref. Part n.	Part n. 2	Description	Reference	Price
KTRI40096		KIT P 15-42918 RC	0032 0045	--
KTRI40139		KIT P 15-42920 D.15 RCS	0030	--
KTRI40140		KIT P 15-42921 D.15 RCS	0012 0014 0015 0016	--
KTRI40141		KIT P 15-2191 D.15 RCS	0011	--
KTRI40207		KIT P 15-42914 RC 3+3 BL./WH.	0003 0050	--

VRZ TSS + ID

KIT F = pos. 10 11 14 15 18 19 20 23 28 29
31 33 37 38 40 44 45 46

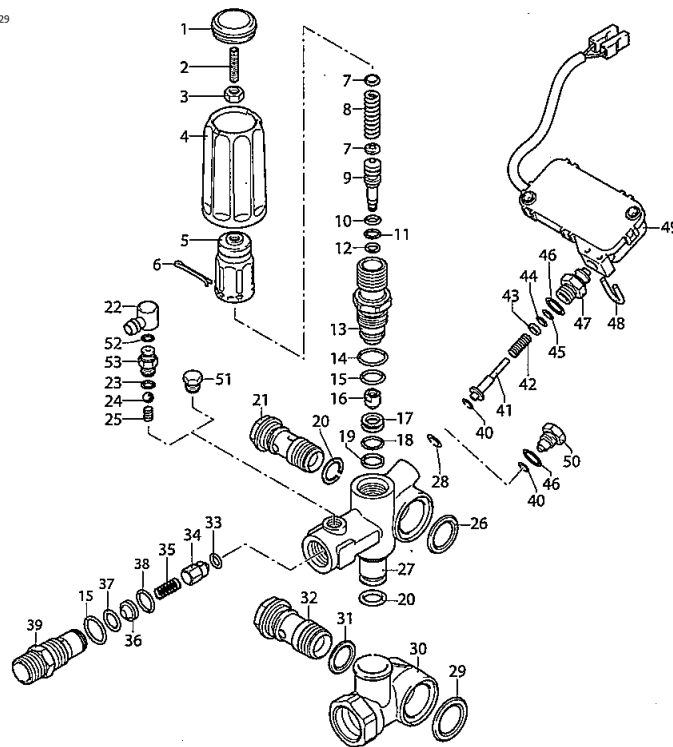


UN_00_4104-FR

Ref. K	Part n.	Part n. 2	Description	Quantity	Validity		Price
					From	To	
0001	PVVR40241		CAP VRC-BM	1,00			--
0002	VTVT40051		SCREW STEI M 6X25	1,00			--
0003	PVVR40292		NUT AR	1,00			--
0004	PVVR40418		KNOB VRZ	1,00			--
0005	PVVR40236		KNOB M.MT/4B	1,00			--
0006	VTVR40025		SPLIT PIN D. 2,6X15	1,00			--
0007	PVVR40067		SPRING PLATE AR XJS	2,00			--
0008	PVVR40419		SPRING VALVOLA VRZ	1,00			--
0009	PVVR40420		PISTON VRC-BM	1,00			--
0010	S GUGO40046		O-RING D. 6.02 X 2.62 NBR 90SH	1,00			--
0011	S GUGO12489		O-RING D. 6.07 X 1.78 NBR 70SH	1,00			--
0012	GUVR40072		ANTI-EXTR.RING D. 6.5X 9.4	1,00			--
0013	PVVR40421		PISTON GUIDE VRZ	1,00			--
0014	S GUGO03505		O-RING D. 15.6 X 1.78 NBR 70SH	1,00			--
0015	S GUGO11652		O-RING D. 12.42 X 1.78 NBR 70SH	2,00			--
0016	PVVR40423		COUPLING AR VRZ	1,00			--
0017	PVVR40424		VALVE SEAT AR VRZ	1,00			--
0018	S GUGO19194		O-RING D. 11.11 X 1.78 NBR 70SH	1,00			--
0019	S GUVR40085		ANTI-EXTR.RING D. 14 X11,8X1	1,00			--
0020	S GUGO01047		O-RING D. 11.91 X 2.62 NBR 70SH	2,00			--
0021	RCDS40068		SCREW G 3/8 M.MATIC 4/B OT.	1,00			--
0026	GUGO40057		O-RING D. 20.29 X 2.62-NBR 70SH	1,00			--
0027	PVVR40427		VALVE BODY VRZ	1,00			--
0028	S GUGO40031		O-RING D. 3.68 X 1.78 NBR 90SH	1,00			--
0029	S GUGO76542		O-RING D. 23.47 X 2.62 NBR 70SH	1,00			--
0030	PVVR40428		BODY VALVOLA VRZ	1,00			--
0031	S GUGO01058		O-RING D. 17.17 X 1.78 NBR 70SH	1,00			--
0032	RCDS40070		SCREW G 1/2 M.MATIC 4/B	1,00			--
0033	S GUGO12494		O-RING D. 4 X 2.5 -NBR 70SH	1,00			--
0034	PVVR40422		COUPLING AR VRZ	1,00			--
0035	PVVR40252		SPRING VRC-BM	1,00			--
0039	RCDS40192		NIPPLE G 3/8 VRZ	1,00			--
0040	S GUVR40084		ANTI-EXTR.RING PARBAK 8-007	1,00		31/01/2016	--
0040	S GUVR40094		ANTI-EXTR.RING D. 4.2X 7 X1 PTFE+BZ	1,00	01/02/2016		--
0041	PVVR40425		CONTOL ROD AR TSS VRZ	1,00		31/01/2016	--
0041	S PVVR40470		CONTOL ROD AR TSS VRZ.Evo	1,00	01/02/2016		--
0042	PVVR40429		SPRING VALVOLA VRZ	1,00			--
0043	PVVR40430		WASHER VALVOLA VRZ	1,00			--
0044	S GUGO19207		O-RING D. 1.78 X 1.78 NBR 70SH	1,00			--
0045	S GUVR40086		ANTI-EXTR.RING D. 4,9X 2 X1,3	1,00			--
0046	S GUGO06988		O-RING D. 7.66 X 1.78 NBR 70SH	1,00			--
0047	PVVR40431		CONNECTOR VALVOLA VRZ	1,00			--
0048	LAFN40212		PLUG "U" AR TSS	1,00			--
0049	PVVR40433		PRESSURE SWITCH TTS VRZ marc. AB	1,00			--

VRZ TSS + ID

KIT F = pos. 10 11 14 15 18 19 20 23 28 29
31 33 37 38 40 44 45 46

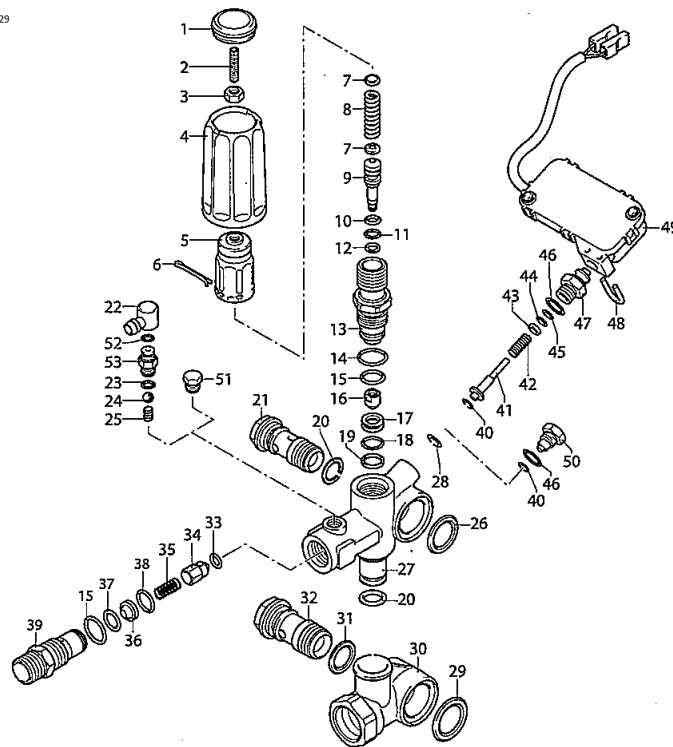


UN_00_4104-FR

Ref. K	Part n.	Part n. 2	Description	Quantity	Validity		Price
					From	To	
0051	RCDS19214		CAP 1/8 M	1,00			--

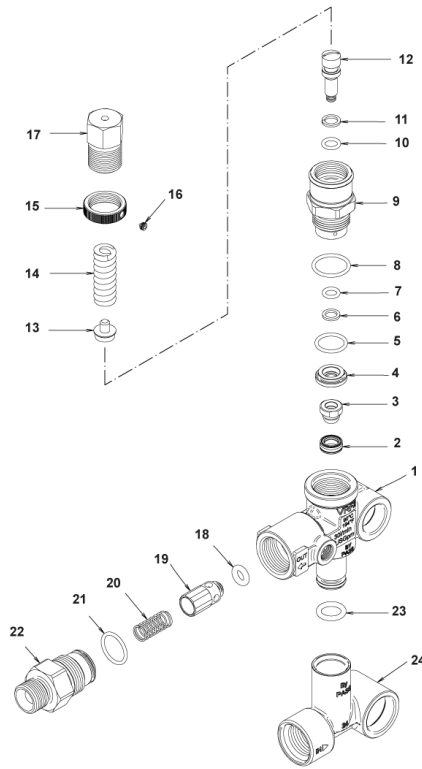
VRZ TSS + ID

KIT F = pos. 10 11 14 15 18 19 20 23 28 29
31 33 37 38 40 44 45 46

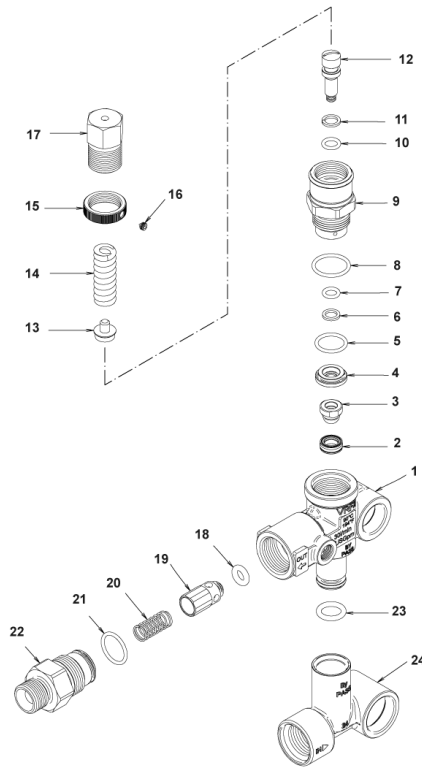


UN_00_4104-FR

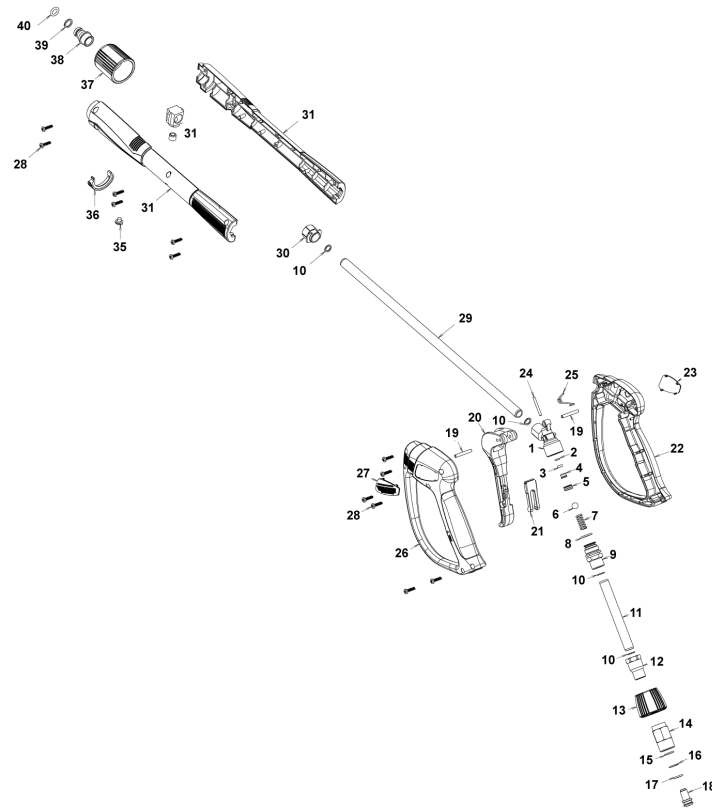
Ref. Part n.	Part n. 2	Description	Reference	Price
KTRI40394		KIT P 14-43234 VRZ.Evo	0028 0040 0041	--
F KTRI40293		KIT P SET O-RING VALVOLA VRZ	0010 0011 0014 0015 0018 0019 0020 0023 0028 0029 0031 0033 0037 0038 0040 0044 0045 0046	--



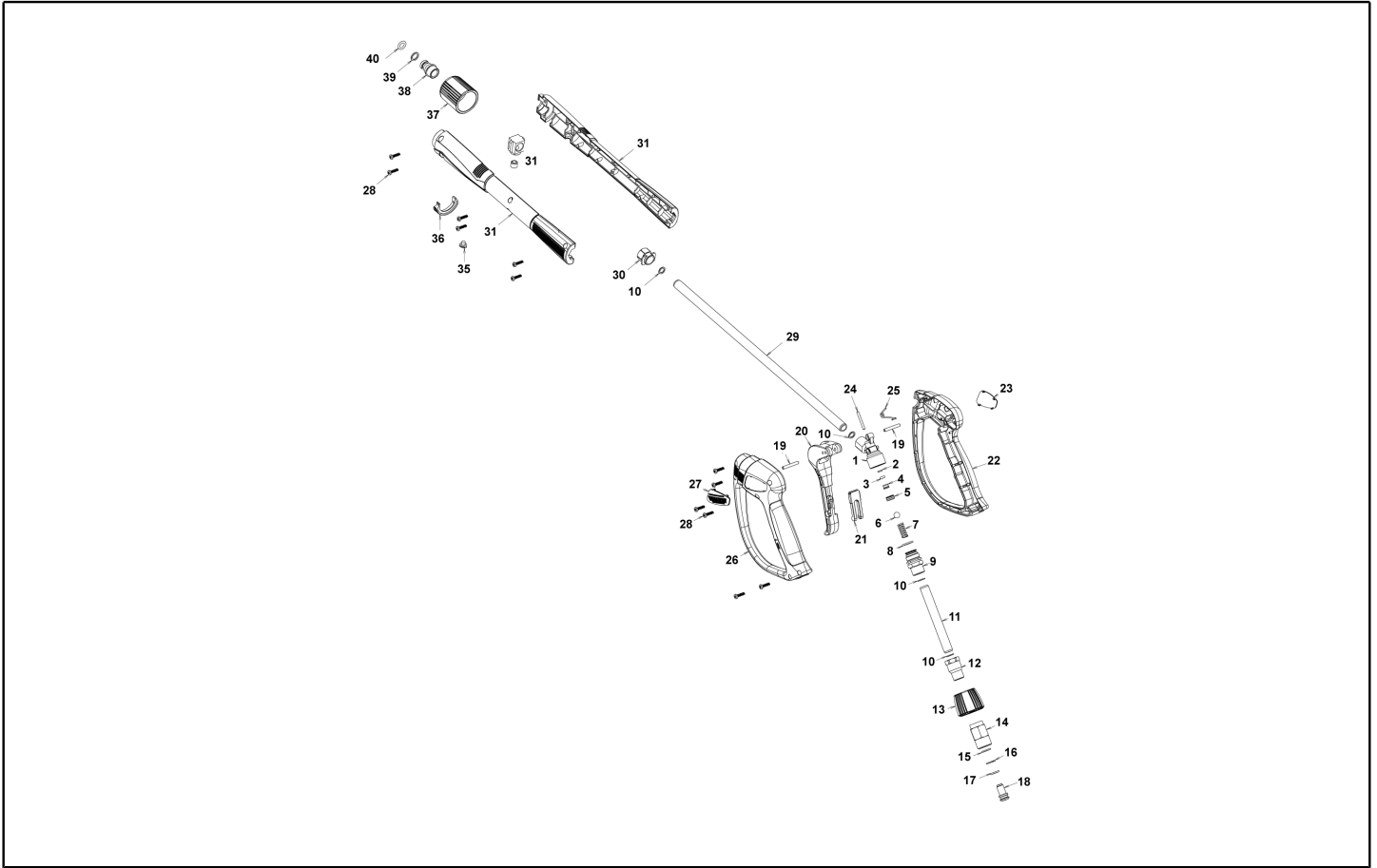
Ref. K	Part n.	Part n. 2	Description	Quantity	Validity		Price
					From	To	
0001	PVVR40375		VALVE BODY VRF2 +G1/8 F	1,00			--
0002	S	PVVR40363	VALVE SEAT MV124 +OR	1,00			--
0003	S	PVVR40364	COUPLING MV124	1,00			--
0004	S	PVVR40365	SPACER MV124	1,00			--
0005	S	GUGO12322	O-RING D. 14 X 1.78 NBR 90SH	1,00			--
0006	S	GUVR40072	ANTI-EXTR.RING D. 6.5X 9.4	1,00			--
0007	S	GUGO83861	O-RING D. 6.07 X 1.78 NBR 90SH	1,00			--
0008	S	GUGO24913	O-RING D. 17.17 X 1.78 NBR 90SH	1,00			--
0009	S	PVVR40366	CONNECTOR VRF2 D.10	1,00			--
0010	S	GUGO03500	O-RING D. 6.75 X 1.78 NBR 70SH	1,00			--
0011	S	GUVR40073	ANTI-EXTR.RING D. 7.1X10 X1.2 TBT	1,00			--
0012	S	PVVR40367	SMALL PISTON D.10 VRF2	1,00			--
0013		PVVR40368	SPRING PLATE MV124 25B	1,00			--
0014		MLML40027	SPRING D. 3.0/6.0 X38.85	1,00			--
0015		PVVR40369	RING NUT MV167.09	1,00			--
0016		VTVT89696	SCREW EI-ST 4X 4 UNI5927 ZC	1,00			--
0017		PVVR40370	CAP VRF2 M18X1	1,00			--
0018	S	GUGO46053	O-RING D. 6 X 3 NBR 90SH	1,00			--
0019	S	PVVR40349	COUPLING VRT3	1,00			--
0020	S	MLML40026	SPRING VRT3	1,00			--
0021	S	GUGO12321	O-RING D. 15.6 X 1.78 NBR 90SH	1,00			--
0022		PVVR40525	CONNECTOR VRT3 G 3/8M	1,00			--
0023		GUGO11225	O-RING D. 10.78 X 2.62 NBR 70SH	1,00			--
0024		PVVR40373	CONNECTOR VRF2.24	1,00			--



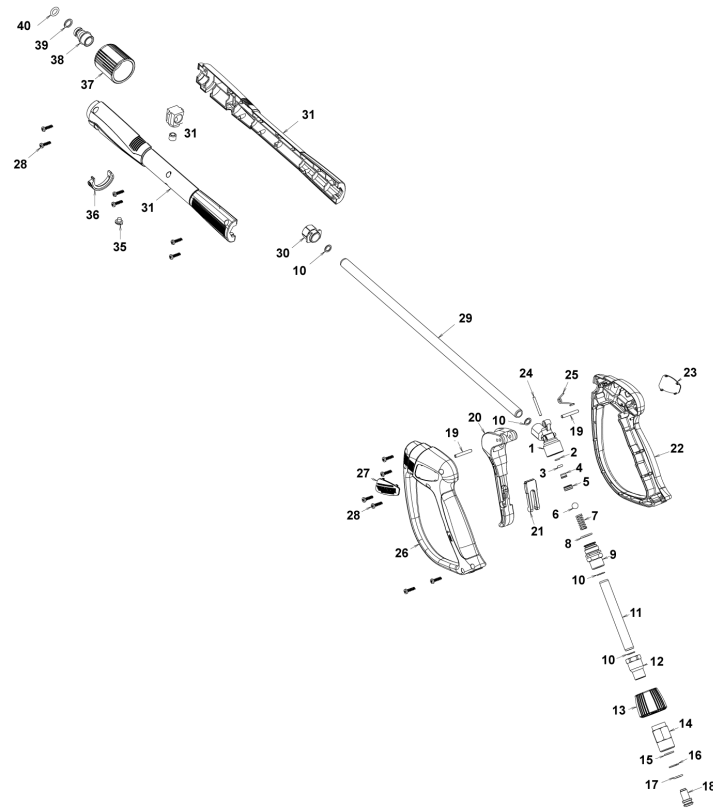
Ref. Part n.	Part n. 2	Description	Reference	Price
KTRI40236		KIT P 14-103 VRF2	0002 0003 0004 0005 0006 0007 0008 0009 0010 0011 0012 0018 0019 0020 0021	--
KTRI40237		KIT P 14-104 SEAL VRF2	0002 0003 0005 0006 0007 0008 0010 0011 0018 0021	--



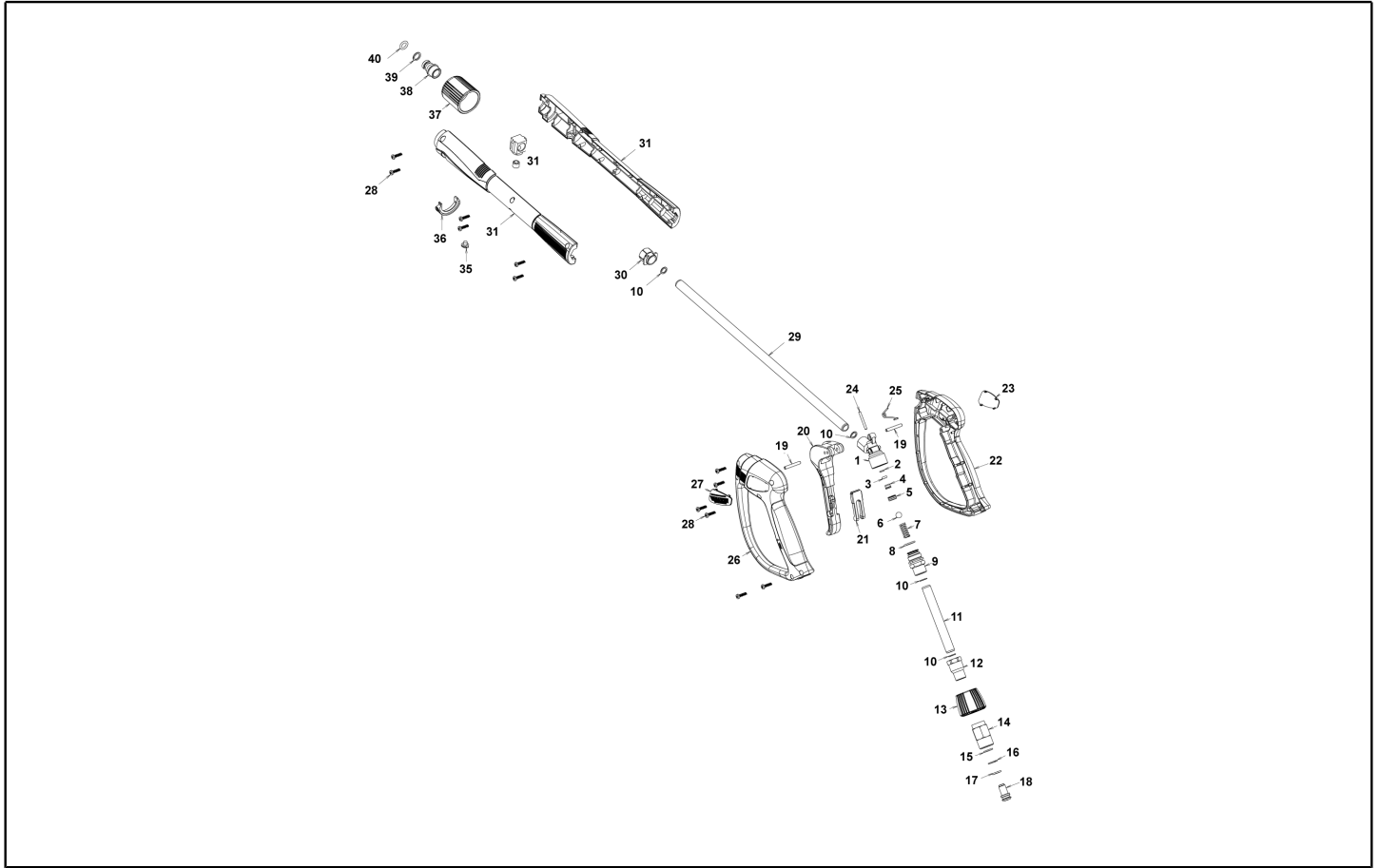
Ref. K	Part n.	Part n. 2	Description	Quantity	Validity		Price
					From	To	
0001	PVVR40381		GUN BODY G 5100 G1/4F	1,00			--
0002	S	GUVR40074	ANTI-EXTR.RING D. 3 X 7.4X1.3	1,00			--
0003	S	GUGO21835	O-RING D. 2.84 X 2.62 VIT. 80SH	1,00			--
0004		PVVR40382	PISTON GUIDE G 5100	1,00			--
0005	S	PVVR40112	BALL SEAT G 5000	1,00			--
0006	S	SFVR40002	BALL D.11/32" ALL GR16	1,00			--
0007		MLML40016	SPRING D. 9.4 x21.5x1.6 G5000	1,00			--
0008		GUGO12322	O-RING D. 14 X 1.78 NBR 90SH	1,00			--
0009		PVVR40383	CONNECTOR COLL.G5100 1/4F	1,00			--
0010		VTRS40017	WASHER D. 8.2X11,4X1.00	4,00			--
0011		PVVR40384	TUBE G 1/4" L.105	1,00			--
0012		RCIN40022	CONNECTOR SWIV G5100 1/4F	1,00			--
0013		MPVR40819	RING NUT G 5100 SW. BK.	1,00			--
0014		RCIN40021	JOINT SWIV 5100 M22	1,00			--
0015	S	GUVR40075	ANTI-EXTR.RING D. 10 X14X1.5	1,00			--
0016	S	GUVR40076	ANTI-EXTR.RING D. 11.2X14X1.2	1,00			--
0017	S	GUGO15295	O-RING D. 10.82 X 1.78 VIT 75SH	1,00			--
0018		PVVR40386	SCREW SW. G 5100	1,00			--
0019		VTVR40047	PLUG D. 4X29	2,00			--
0020		MPVR40820	TRIGGER G 6000-SW	1,00			--
0021		MPVR40821	SAFETY-DEVICE G 6000-SW	1,00			--
0022		MPVR40822	SHELL G 6000-SW DX	1,00			--
0023		MPVR40823	PLATE G 6000 GR.DX	1,00			--
0024		PVVR40387	SMALL PISTON G 5100	1,00			--
0025		MLML40029	SPRING G 5100	1,00			--
0026		MPVR40824	SHELL G 6000-SW SX	1,00			--
0027		MPVR40825	PLATE G 6000 GR.SX	1,00			--
0028		VTVT40043	SCREW AF 4X 14 HILO ZN.N	12,00			--
0029		LCPR40086	TUBE 1/4 L=420 ZC. 0°	1,00			--
0030		MPVR40493	CONNECTOR G 5100-SW	1,00			--
0031		MPVR40494	PROTECTION P 420 C/AN.	1,00			--
0035		MPVR40198	CAP G 5000	1,00			--
0036		MPVR40495	CAP G 5100 REM.	1,00			--
0037		PVVR40119	CONNECTION M22X1,5 IRV G5000	1,00			--
0038		RCIN40009	GUDGEON G 1/4 F IRV G5000	1,00			--
0039		GUVR40034	ANTI-EXTR.RING D. 10 X14	1,00			--
0040		GUGO01946	O-RING D. 9.13 X 2.62 VIT 70SH	1,00			--



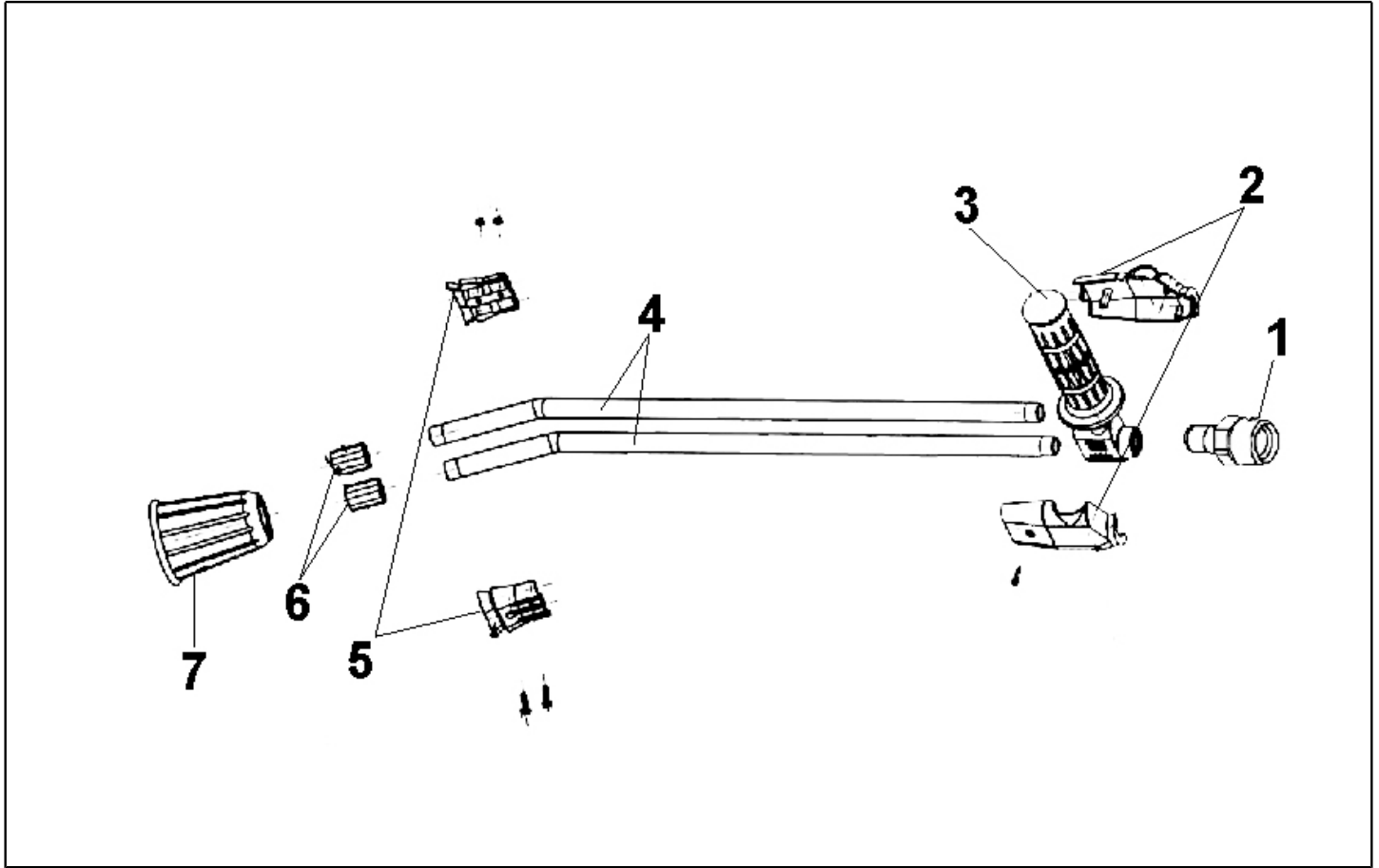
Ref. Part n.	Part n. 2	Description	Reference	Price
KTRI40243		KIT P 26- 26 SWIVEL G 5100	0015 0016 0017	--
KTRI40414		KIT P 26- 34 G 6000	0002 0003 0005 0006	--



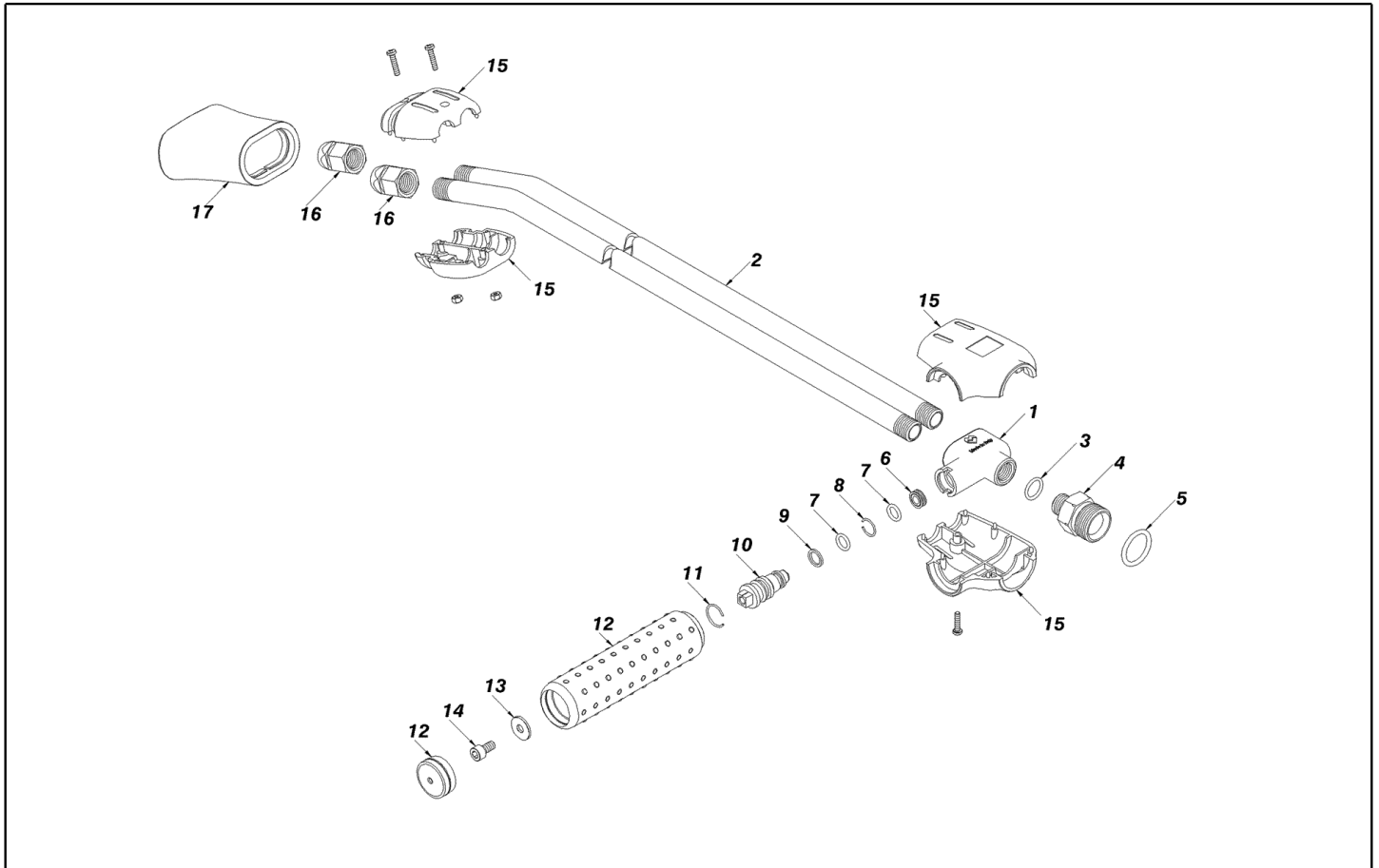
Ref. K	Part n.	Part n. 2	Description	Quantity	Validity		Price
					From	To	
0001	PVVR40381		GUN BODY G 5100 G1/4F	1,00			--
0002	S	GUVR40074	ANTI-EXTR.RING D. 3 X 7.4X1.3	1,00			--
0003	S	GUGO21835	O-RING D. 2.84 X 2.62 VIT. 80SH	1,00			--
0004		PVVR40382	PISTON GUIDE G 5100	1,00			--
0005	S	PVVR40563	BALL SEAT AL36 G6000 + OR	1,00			--
0006	S	SFVR40004	BALL D. 5/16" ALL.GR16	1,00			--
0007		MLML40047	SPRING D. 9.4 x23.5x1.6 G6000	1,00			--
0008		GUGO12322	O-RING D. 14 X 1.78 NBR 90SH	1,00			--
0009		PVVR40383	CONNECTOR COLL.G5100 1/4F	1,00			--
0010		VTRS40017	WASHER D. 8.2X11,4X1.00	4,00			--
0011		PVVR40384	TUBE G 1/4" L.105	1,00			--
0012		RCIN40022	CONNECTOR SWIV G5100 1/4F	1,00			--
0013		MPVR40967	RING NUT G 6000 SW. GR.	1,00			--
0014		RCIN40021	JOINT SWIV 5100 M22	1,00			--
0015	S	GUVR40075	ANTI-EXTR.RING D. 10 X14X1.5	1,00			--
0016	S	GUVR40076	ANTI-EXTR.RING D. 11.2X14X1.2	1,00			--
0017	S	GUGO15295	O-RING D. 10.82 X 1.78 VIT 75SH	1,00			--
0018		PVVR40386	SCREW SW. G 5100	1,00			--
0019		VTVR40047	PLUG D. 4X29	2,00			--
0020		MPVR40820	TRIGGER G 6000-SW	1,00			--
0021		MPVR40821	SAFETY-DEVICE G 6000-SW	1,00			--
0022		MPVR40822	SHELL G 6000-SW DX	1,00			--
0023		MPVR40968	PLATE G 6000/2 GR.DX	1,00			--
0024		PVVR40564	SMALL PISTON G 6000 AL36 SP.	1,00			--
0025		MLML40029	SPRING G 5100	1,00			--
0026		MPVR40824	SHELL G 6000-SW SX	1,00			--
0027		MPVR40825	PLATE G 6000 GR.SX	1,00			--
0028		VTVT40043	SCREW AF 4X 14 HILO ZN.N	12,00			--
0029		LCPR40181	TUBE 1/4 L=416 ZC. 0°	1,00			--
0030		MPVR40493	CONNECTOR G 5100-SW	1,00			--
0031		MPVR40494	PROTECTION P 420 C/AN.	1,00			--
0035		MPVR40198	CAP G 5000	1,00			--
0036		MPVR40495	CAP G 5100 REM.	1,00			--
0037		PVVR40119	CONNECTION M22X1,5 IRV G5000	1,00			--
0038		RCIN40048	GUDGEON G 1/4 F IRV G6000/2	1,00			--
0039		GUVR40034	ANTI-EXTR.RING D. 10 X14	1,00			--
0040		GUGO63555	O-RING D. 9.3 X 2,4 VIT 75SH	1,00			--



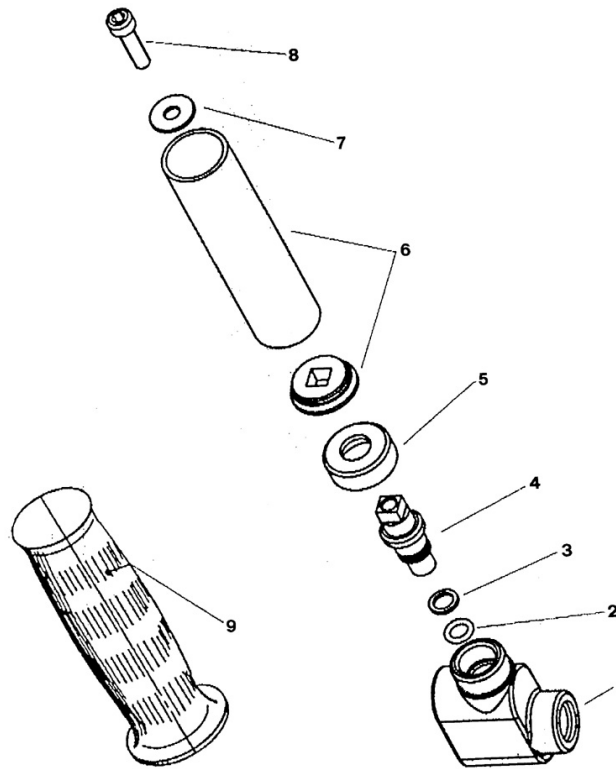
Ref. Part n.	Part n. 2	Description	Reference	Price
KTRI40243		KIT P 26- 26 SWIVEL G 5100	0015 0016 0017	--
KTRI40513		KIT P 26- 36 G 6000/II	0002 0003 0005 0006	--



Ref. K	Part n.	Part n. 2	Description	Quantity	Validity		Price
					From	To	
0001	PVVR45296		COUPLING G 1/4M -M22 M +PR.PLS	1,00			--
0002	MPVR45214		PROTECTION TB.1/4 MTM	1,00			--
0003	RCGR45737		TAP 1/8 F LD MTM	1,00			--
0004	LCPR45740		TUBE 1/8 L=660 INOX MTM	2,00			--
0005	MPVR45001		SHELL LD MTM	1,00			--
0006	RCVR45741		NOZZLE HOLDER 1/4-1/8 F MTM	2,00			--
0007	PVVR43810		PROTECTION L.D. MTM	1,00			--



Ref. K	Part n.	Part n. 2	Description	Quantity	Validity		Price
					From	To	
0001	RCGR40000		TAP BODY L.DOP. 1/4" MV INX	1,00			--
0002	LCPR40000		TUBE 1/4 L=700 CROM.	2,00		30/11/2009	--
0002	LCPR40107		TUBE 1/4 L=700 INX.	2,00	01/12/2009		--
0003	GUGO19194		O-RING D. 11.11 X 1.78 NBR 70SH	1,00		30/09/2010	--
0003	VTRS04931		WASHER COPPER D.13X19X1.5	1,00	01/10/2010		--
0004	RCIN46781		MALE COUPLING MV 1/4 -M 22 M	1,00			--
0005	GUGO01056		O-RING D. 18.72 X 2.62 NBR 70SH	1,00			--
0006	PVVR40019		BUSHING MV LD	1,00			--
0007	GUGO06988		O-RING D. 7.66 X 1.78 NBR 70SH	2,00			--
0008	PVVR40020		CIRCLIP LD MV D. 8	1,00			--
0009	GUGO40002		ANTI-EXTR.RING D. 8 NBR	1,00			--
0010	PVVR40021		REGULAT. SCREW LD MV INX	1,00			--
0011	PVVR46783		CIRCLIP LD MV	1,00			--
0012	PVVR46784		KNOB LD MV +CAP	1,00			--
0013	VTRS15958		WASHER UNI 6592 5X15X1,5 ZB	1,00			--
0014	VTVT17639		SCREW TCEI M 5X10 UNI 5931	1,00			--
0015	MPVR46786		PROTECTION LD/TB MV	1,00			--
0016	RCVR46787		NOZZLE HOLDER 1/4-1/4 F MV	12,00			--
0017	PVVR46788		PROTECTION LD MV	1,00			--



Ref. K	Part n.	Part n. 2	Description	Quantity	Validity		Price
					From	To	
0001	RCGR41556		TAP BODY L.DOP. 1/8" MTM	1,00		08/03/2010	--
0001	PVVR40132		VALVE BODY L.DP 1/4F-1/8FF CP.	1,00	09/03/2010		--
0002	GUGO10330		O-RING D. 6.07 X 1.78 VIT 70SH	1,00		08/03/2010	--
0003	GUVR41551		ANTI-EXTR.RING SR 010	1,00		08/03/2010	--
0004	PVVR41553		SMALL PISTON L.DP. MTM	1,00		08/03/2010	--
0005	PVVR41555		RING NUT L.DOP. MTM	1,00		08/03/2010	--
0006	LAFN41552		PIPE D. 22 MTM	1,00			--
0007	VTRS15958		WASHER UNI 6592 5X15X1,5 ZB	1,00			--
0008	VTVT17639		SCREW TCEI M 5X10 UNI 5931	1,00			--
0009	MPVR41554		KNOB D. 22 MTM	1,00			--