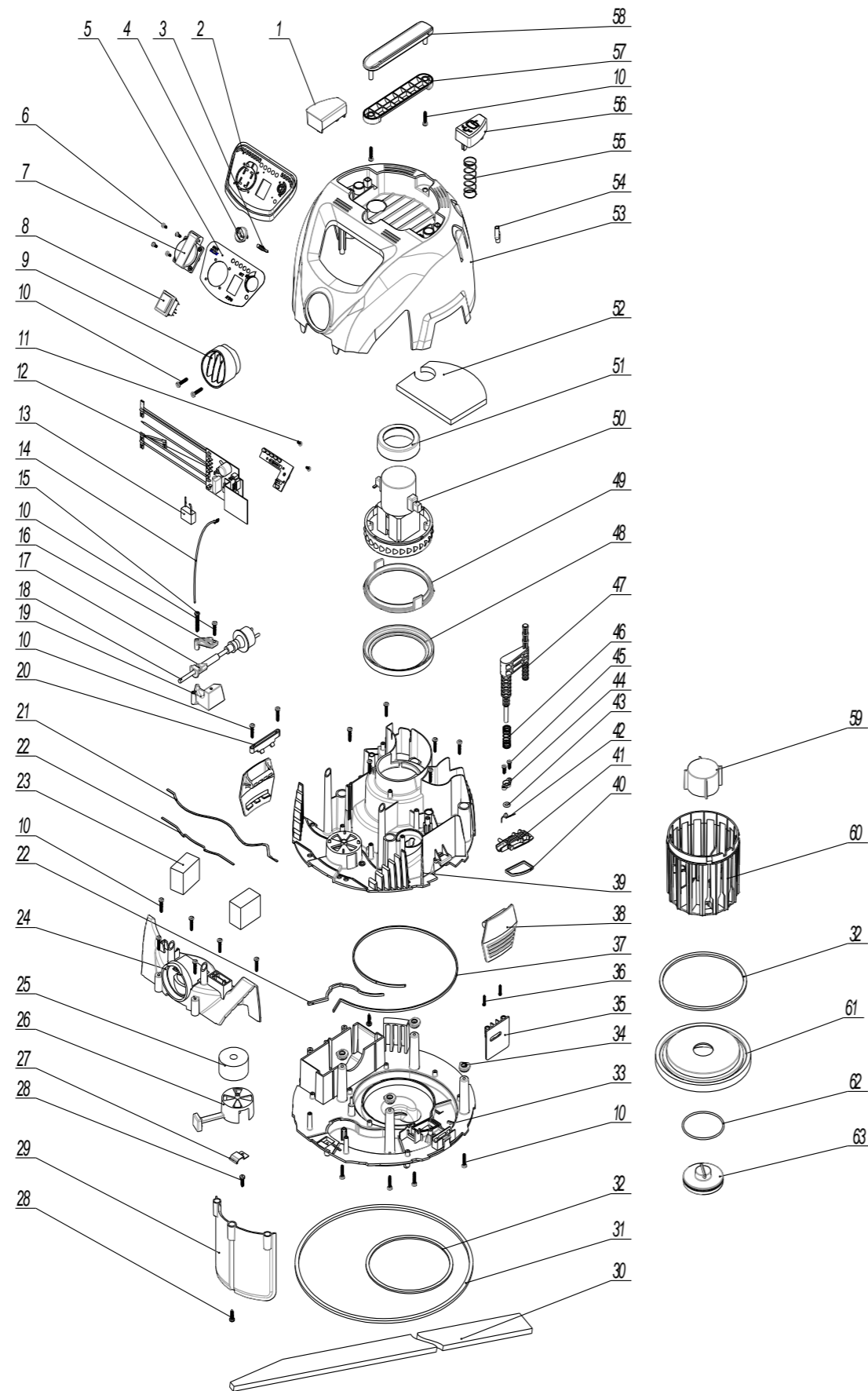


Energetic EU version

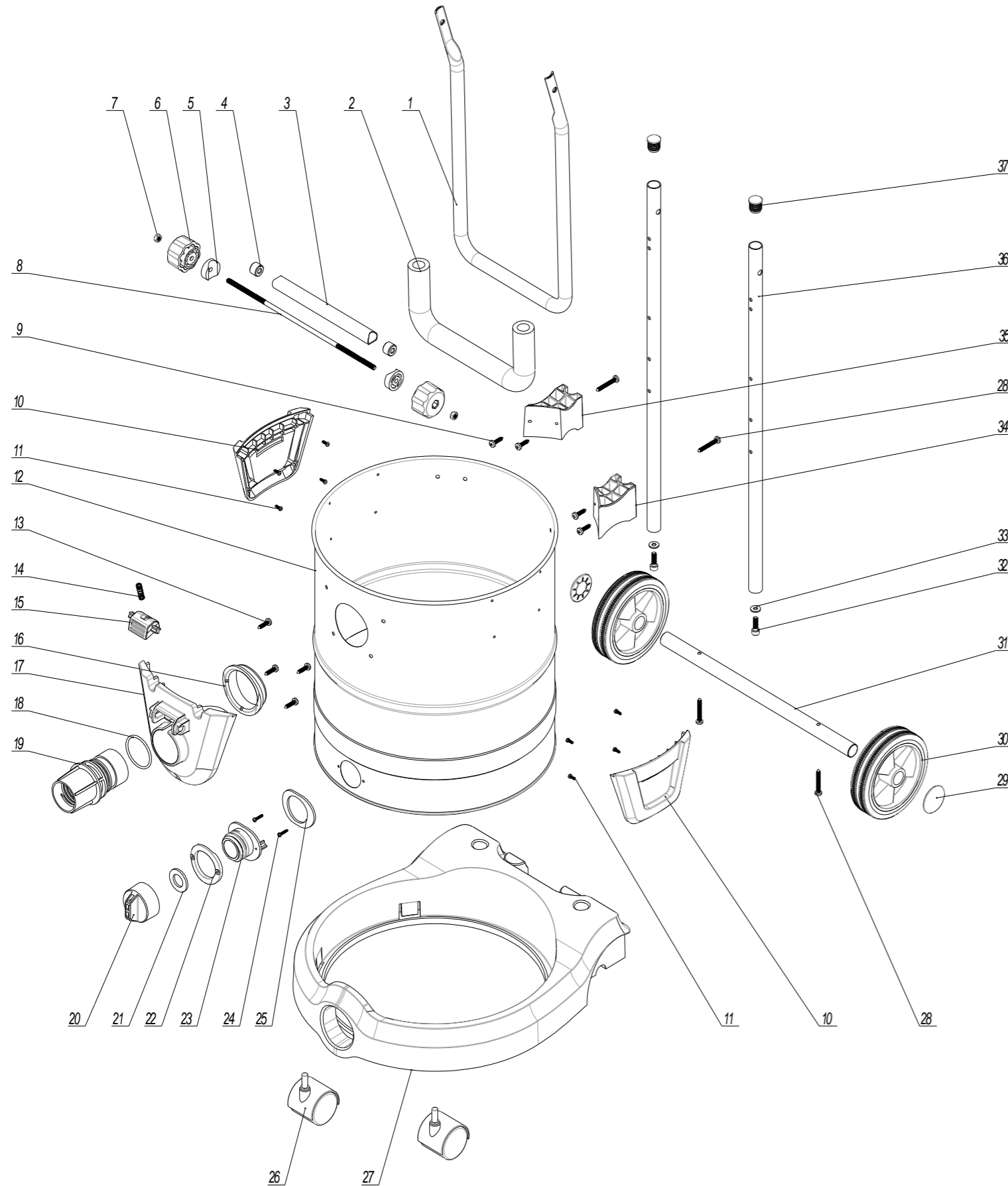
Part List



Kit	Text	IPC spare part No	No	Name	Qt
A	Upper Head assembly	KTRIO5059	1	COVER BUTTON CORD REEL	1
			9	Blow outlet	1
			10	Screw	4
			52	Sponge head	1
			53	heda_complete	1
			57	Handle Bottom	1
			58	Handle Top	1
B	Front panel	KTRIO5060	2	Panel-BLACK	1
			3	Knob shaft	1
			4	Speed control button	1
			5	Panel Sticker - socket	1
			6	Screws	4
			7	Electrical_Socket	1
			C	Socket	KTRIO5061
12	PCB Socket	1			
13	X2-capacitor	1			
14	Electrostatic wire	1			
D	Cabel cord	KTRIO5062	15	Screw	1
			10	Screw	1
			16	Cord Fix	1
			17	Cord relief	1
			18	Cord plug	1
			19	Cord Guide	1
			20	Clamp bracket	1
E	Clamp	KTRIO5063	38	Clamp	2
			10	Screw	2
F	Bottom head assembly	KTRIO5064	21	Middle plate sealing	1
			22	SEALING_MIDDLE_CARRIER	2
			23	Noise sponge	2
			24	Air guide suction	1
			25	Noise sponge	1
			26	Blow check valve	1
			27	ANTISTATIC_BRACKET	1
			28	Screws	2
			10	Screw	18
			29	Deflector	1
			30	Noise sponge	1
			31	Carriere plate sealing	1
			33	RIB_PLATE	1
			34	rubber gasket	4
			35	Rib plate	1
			36	Screw	2
			37	SEALING_MIDDLE_CARRIER	1
			39	Middle plate	1
			G	Clean botton	KTRIO5065
41	Filter cleaning valve	1			
42	Return spring	2			
43	Sealing rubber_O-ring	1			
44	SEALING RUBBER FIXPLATE	1			
45	Screw	2			
46	Filter Cleaning Return Spring	1			
H	Motor	KTRIO5066	47	Filter cleaning connection rod	1
			48	Bottom Gasket	1
			49	Top Gasket	1
I	Botton Spring	KTRIO5067	50	Motor	1
			51	Motor Gasket	1
			54	silicone tube	1
L	Water float	KTRIO5068	55	Button spring	1
			56	Button-filter-cleaning	1
			59	Float	1
M	Filter	KTRIO5069	60	Filter Basket	1
			32	filter sealing	2
			61	filter bottom sealing	1
			62	Filter Support Disc	1
			63	Filter bottom cover	1
	MECIO0640	380000332	8	3 way Switch	1

Energetic EU version

Part List



Energetic EU version		Tank:energetic-IPC-30-INOX-T			
Kit	Text	IPC number	No	Name	Qt
A	Trolley	KTRIO5082	1	Trolley Tube Top	1
			2	Foam handle	1
			3	Trolley middle tube	1
			4	Thread fix	2
			5	Tube Adapter	2
			6	Trolley fix handle	2
			7	M6 nut DIN934	2
			8	Threaded rod	1
			32	screw	2
			33	washer	2
B	Trolley fixing	KTRIO5083	10	Clamp_holder	2
			11	Screw	8
			9	Screws	4
			34	TROLLEY HOLDER_V1-290	1
			35	TROLLEY HOLDER_V1-295	1
		LAFN11186	12	Inox tank - 30L	1
C	Inlet air	KTRIO5084	13	Screw	4
			14	hose release lever_spring	1
			15	hose release lever	1
			16	IPC-adapter-suction-inlet	1
			17	conduct IPC-Suction inlet - inox-Tank	1
			18	O-ring	1
			19	Conduct IPC-Suction hose inlet fitting	1
D	Drain water plug	KTRIO5085	20	Drain outlet plug	1
			21	Drain outlet sealing	1
			22	ROTATION_LOCK_INOX_TANK	1
			23	DRAIN_OUTLET_NIPPLE_INOX	1
			24	Screw	2
25	SEALING_INOX_DRAIN_OUTLET	1			
E	Wheel	KTRIO5086	26	Castor wheel - 2"	2
			28	Screw	4
			29	Starlock_caped_d20	2
			30	big Wheel	2
			31	Shaft painted	1
		MPVR11594	27	Chassis for Inox- tank	1