

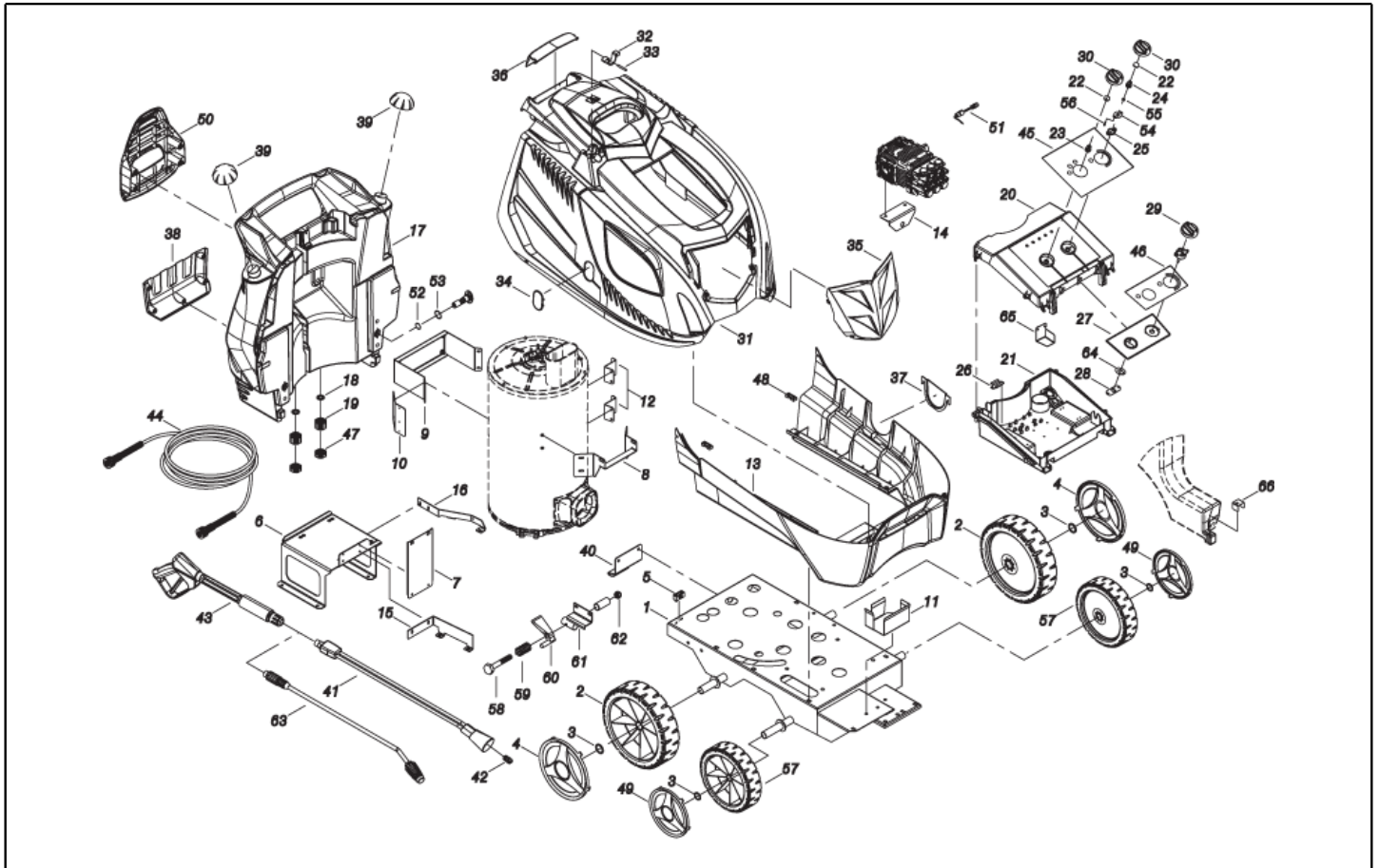


IPC

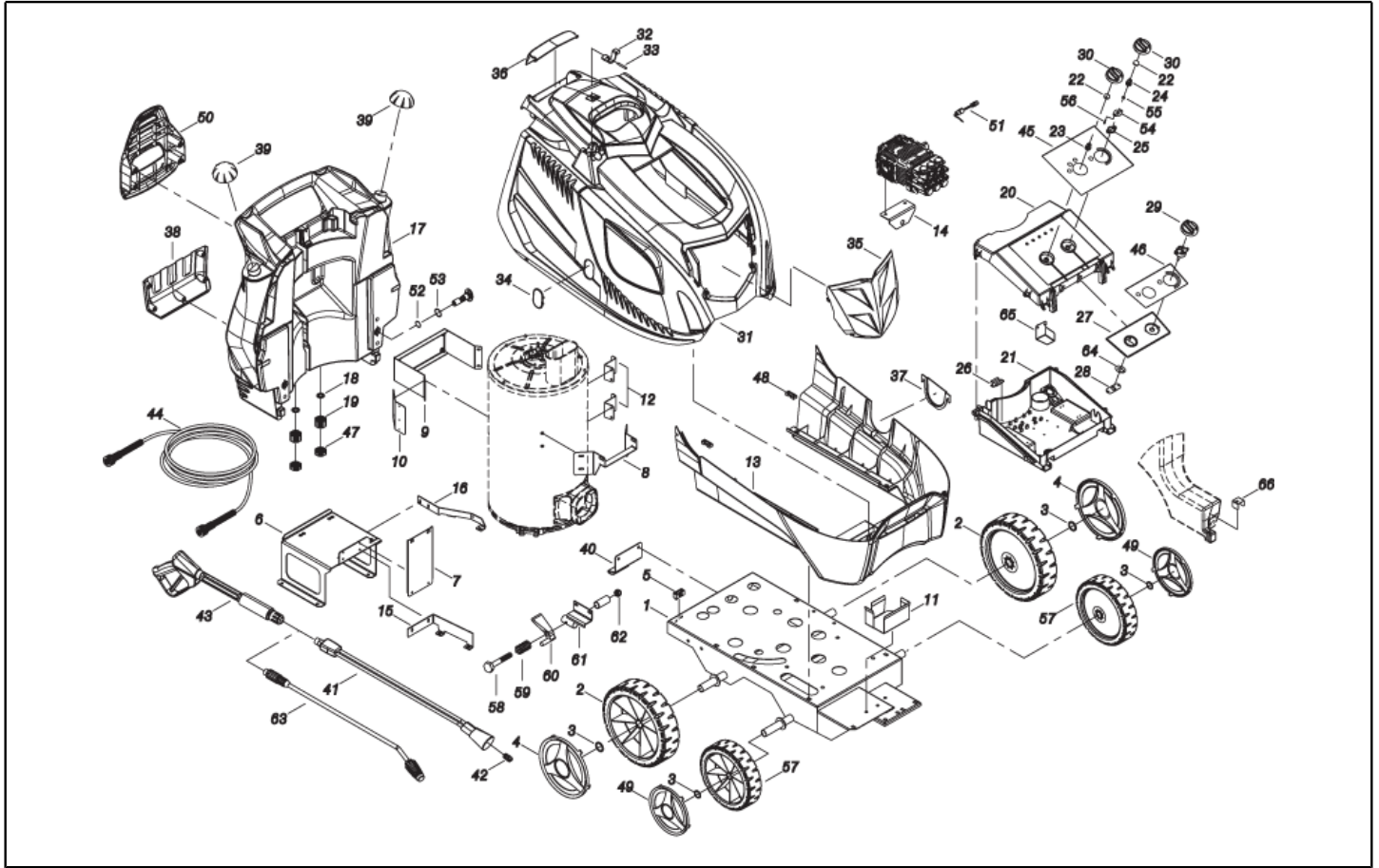
Spare parts list

Ref: IDAC40951

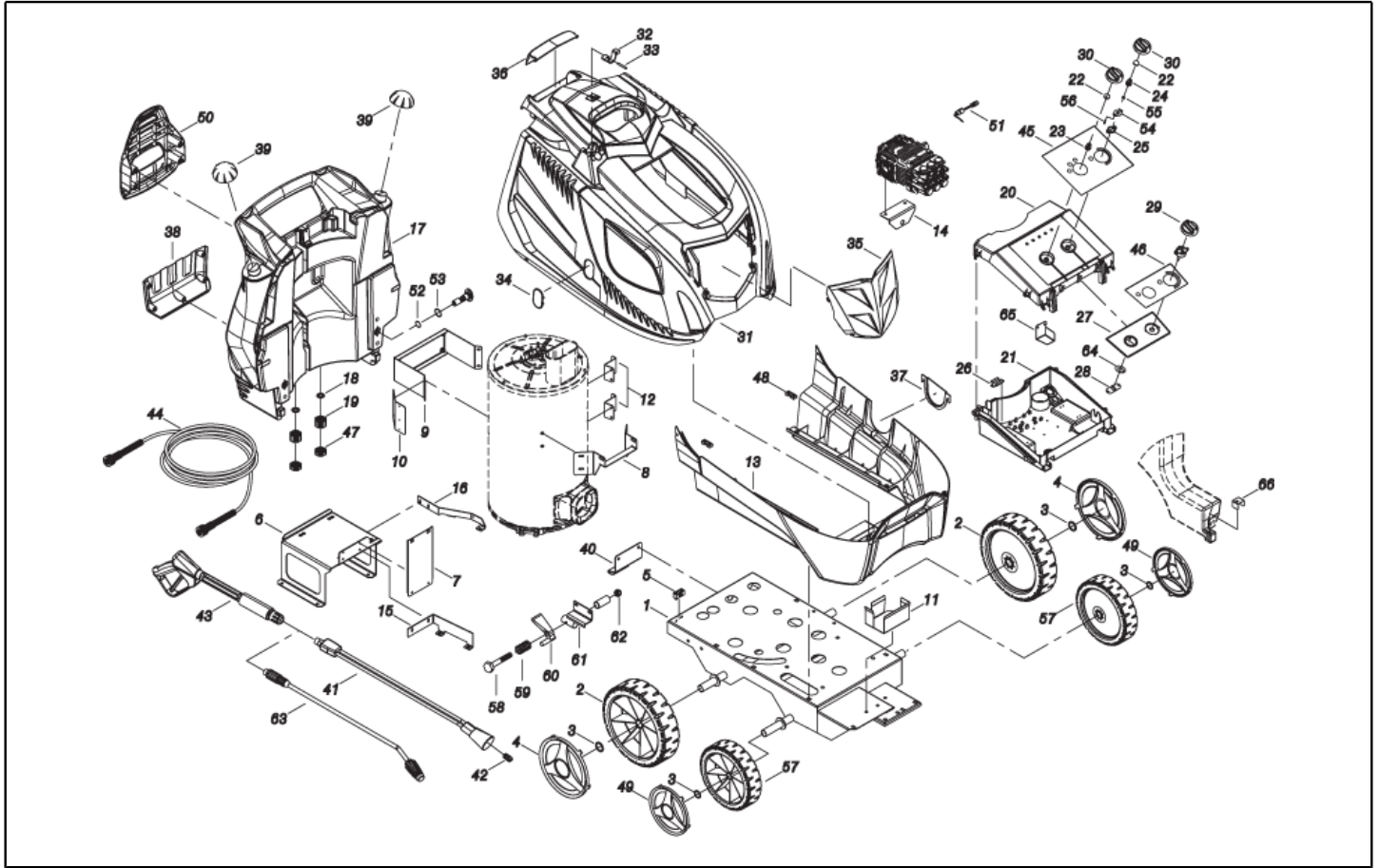
Model: H.P. CLEANER PW-H100/4P D2021PT400/50N



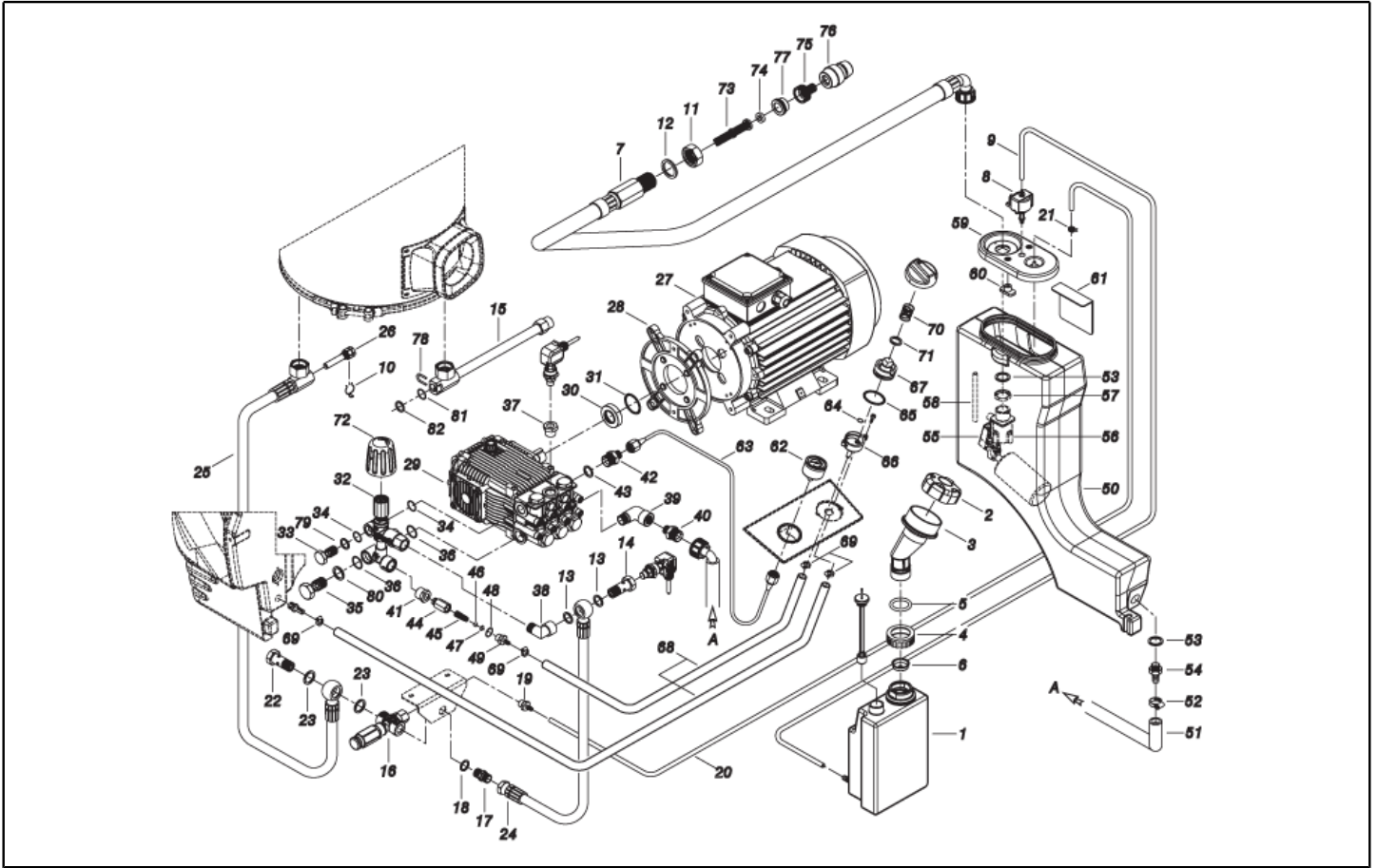
| Ref. K | Part n. | Customer part n. | Description | Quantity | Validity | | Price |
|--------|-------------|------------------|-----------------------------------------|----------|------------|------------|-------|
| | | | | | From | To | |
| 0001 | LAFN40756 | | CHASSIS PW-H100/4W BK. | 1,00 | | | -- |
| 0002 | RTRT45383 | 00045383 | WHEEL D.305-D.25 RT-IPC | 2,00 | | | -- |
| 0003 | VTRS09813 | 00009813 | WASHER D.25 | 4,00 | | | -- |
| 0004 | MPVR40535 | | HUB CAP D. 305 RT/H35 V.368C | 2,00 | | | -- |
| 0005 | MEVR20906 | 00020906 | CABLE CLAMP KSM | 1,00 | | | -- |
| 0006 | LAFN40752 | | MOTOR SUPPORT PW-H100 ZC. | 1,00 | | | -- |
| 0007 | LAFN40742 | | SUPPORT PW-H100 AN.ZC. | 1,00 | | | -- |
| 0008 | LAFN40743 | | SUPPORT PW-H100 PS.ZC. | 1,00 | | | -- |
| 0009 | LAFN40571 | | BRACKET PW-H35 PM.ZC | 1,00 | | 14/07/2016 | -- |
| 0009 | LAFN40835 | | BRACKET PW-H35 PM.2 ZC | 1,00 | 15/07/2016 | | -- |
| 0010 | LAFN40745 | | SUPPORT BRACKET PW-H100 ZC. | 1,00 | | | -- |
| 0011 | LAFN40746 | | SUPPORT BRACKET PW-H100 ZC. | 1,00 | | | -- |
| 0012 | LAFN40748 | | B.TANK BRACKET PW-H100 ZC. | 2,00 | | | -- |
| 0013 | MPVR40774 | | BLACK COVER PW-H100 INF.PP | 1,00 | | | -- |
| 0014 | LAFN40747 | | VALVE BRACKET SIC. PW-H100 ZC | 1,00 | | | -- |
| 0015 | LAFN40751 | | SUPPORT BRACKET PW-H100 LAT. | 1,00 | | | -- |
| 0016 | LAFN40749 | | SUPPORT BRACKET PW-H100 ANT. | 1,00 | | | -- |
| 0017 | MPVR40792 | | TANK PW-H100 PL. PEHD BK. | 1,00 | | | -- |
| 0018 | GUGO11489 | 00011489 | GASKET D.22X1,5 | 2,00 | | | -- |
| 0019 | PVVR11806 | 00011806 | DISCHARGE CAP FLL | 2,00 | | | -- |
| 0020 | MPVR40540 | | BOX COVER PW-H35 ABS BK. | 1,00 | | | -- |
| 0021 | MPVR40784 | | CONTROL BOX PW-H35 C/F.TH ABS BK. | 1,00 | | | -- |
| 0022 | GUGO25527 | 00025527 | O-RING D. 14 X 3 NBR 70SH | 2,00 | | | -- |
| 0023 | MPVR23482 | 00023482 | SWITCH TANG TEC. TUV | 1,00 | | | -- |
| 0024 | S MPVR40843 | | TAIL PIECE THERM.PW-H PL. | 1,00 | 01/11/2016 | | -- |
| 0025 | S MPVR41903 | 00041903 | THICKNESS TERM.IM.PA66 | 1,00 | | | -- |
| 0026 | LAFN46067 | 00046067 | SUPPORT L.60 P176 | 2,00 | | | -- |
| 0027 | MPVR40542 | | ANT. PANEL PW-H35 ABS BK. | 1,00 | 01/03/2017 | | -- |
| 0028 | LAFN40561 | | JUNCTION BOARD PW-H35 ZC. | 1,00 | | 28/02/2017 | -- |
| 0028 | LAFN40922 | | JUNCTION BOARD PW-H35 D.14 ZC. | 1,00 | 01/03/2017 | | -- |
| 0029 | MPVR13685 | 00013685 | BLACK KNOB PRT-AC | 1,00 | | | -- |
| 0030 | MPVR49057 | 00049057 | BLACK KNOB P176-M.RACE PA6 | 2,00 | | | -- |
| 0031 | MPVR40763 | | GREEN COVER PW-H100 SUP.PP GR.368C | 1,00 | | | -- |
| 0032 | MPVR40485 | | RUBBER PW-H35 15-20BK. | 1,00 | | | -- |
| 0033 | MPVR40534 | | PIN PW-H35 PP BK. | 2,00 | | | -- |
| 0034 | MPVR40539 | | DOOR PW-H35 PPL NT. | 1,00 | | | -- |
| 0035 | MPVR40764 | | DOOR PW-H100 PPL BK. | 1,00 | | | -- |
| 0036 | MPVR40765 | | DOOR PW-H100 PT.PPL BK. | 1,00 | | | -- |
| 0037 | MPVR40532 | | DOOR PW-H35 PPL BK.INF. | 1,00 | | | -- |
| 0038 | MPVR40533 | | TOOL HOLDER PW-H35 PP BK. | 1,00 | | | -- |
| 0039 | MPVR40187 | | TANK CAP P215 PEHD C/F. | 2,00 | | | -- |
| 0040 | LAFN40609 | | FOOT PW-H35/4W | 1,00 | | | -- |
| 0041 | LCPR12983 | 00012983 | DOUBLE EXTENS. PD 70 | 1,00 | | 09/11/2016 | -- |
| 0041 | LCPR40160 | | DOUBLE EXTENS. PD 70 M22 M -1/4F INX 0° | 1,00 | 01/09/2017 | | -- |



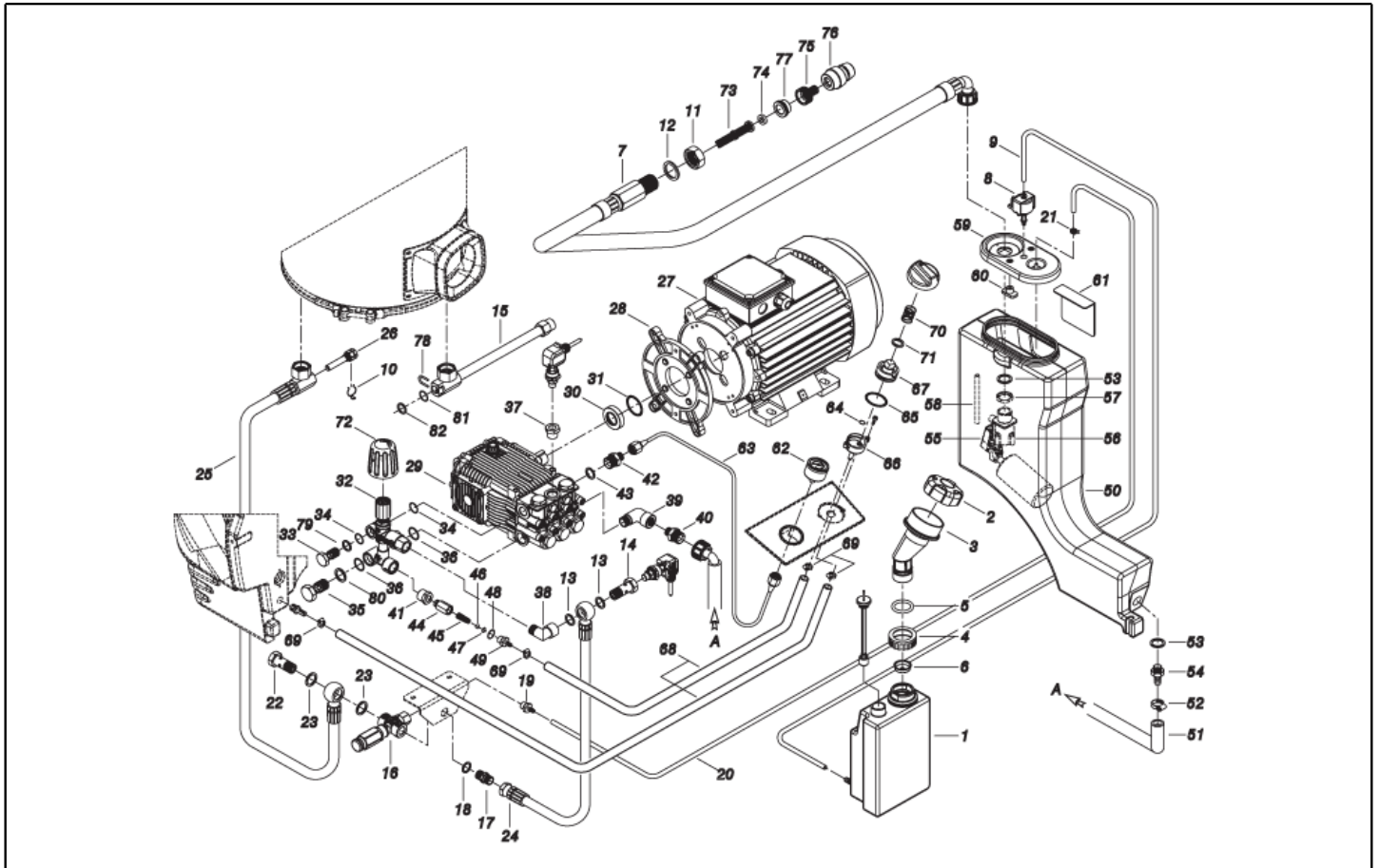
| Ref. K | Part n. | Customer part n. | Description | Quantity | Validity | | Price |
|--------|-------------|------------------|-----------------------------------------|----------|------------|------------|-------|
| | | | | | From | To | |
| 0041 | LCPR89117 | | DOUBLE EXTENS. PD 70 M22 M -1/4F INX MV | 1,00 | 10/11/2016 | 31/08/2017 | -- |
| 0042 | UGLN02303 | 00002303 | NOZZLE LECH 1/4 15065 | 1,00 | | | -- |
| 0042 | UGLN75188 | 00075188 | LANCE NOZZLE SPS 1/4 2512 | 1,00 | | | -- |
| 0043 | IPPR40020 | | GRIP G 6000+P.330 +M22 SW.M V | 1,00 | | | -- |
| 0044 | TBAP44379 | 00044379 | H.P. HOSE R1 MT 20 5/16" C/2 IRV ZC | 1,00 | | | -- |
| 0045 | ETET40821 | | LABEL PW-H100 ELETT.PL. | 1,00 | | | -- |
| 0046 | ETET40767 | | LABEL PW-H100 IDR. | 1,00 | | | -- |
| 0047 | MPVR20187 | 00020187 | RING NUT M 39 X 3 | 2,00 | | | -- |
| 0048 | MPVR28554 | 00028554 | CABLE FASTNER ELT | 2,00 | | | -- |
| 0049 | MPVR40537 | | HUB CAP D. 260 RT/H35 V.368C | 2,00 | | | -- |
| 0050 | MPVR40701 | | HOSE SUPPORT PW-H35 PP BK. | 1,00 | | | -- |
| 0052 | GUGO01056 | 00001056 | O-RING D. 18.72 X 2.62 NBR 70SH | 1,00 | | | -- |
| 0053 | GUGO01197 | 00001197 | O-RING D. 22.22 X 2.62 NBR 70SH | 1,00 | | | -- |
| 0054 | S LAFN40763 | | PLATE PW-H28 POT. IX | 1,00 | | | -- |
| 0055 | S LAFN40916 | | BUSHING D. 6- 9 L= 8 BZ.SINT. | 1,00 | 01/11/2016 | | -- |
| 0056 | S VTRV40014 | | PIN CH. 7 X 10 M4M/M4F NIK. | 2,00 | | | -- |
| 0057 | RTRT40005 | | WHEEL D.260-D.25 RT-HI | 2,00 | | | -- |
| 0058 | VTVT14480 | 00014480 | SCREW TE M 8X80 ZINC. UNI | 1,00 | | | -- |
| 0059 | MLML11917 | 00011917 | SPRING D. 14.5 X24 X2.2 | 1,00 | | | -- |
| 0060 | MPVR28178 | 00028178 | CONTROL LEVER MTH PL. | 1,00 | | | -- |
| 0061 | LAFN40560 | | BRACKET PW-H35/4W BK. | 1,00 | | | -- |
| 0062 | VTDD00492 | 00000492 | NUT M 8 ZINC | 1,00 | | | -- |
| 0063 | LCPR40105 | | EXTENSION P 70 - TURBO TPR35 070 | 1,00 | | | -- |
| 0064 | LAFN40921 | | PLATE PW-H35 D.14 ZC. | 1,00 | 01/03/2017 | | -- |
| 0065 | LAFN40967 | | PROTECTION PW-H100 ZC | 1,00 | 01/06/2017 | | -- |
| 0066 | LAFN40919 | | BRACKET PW-H100 ZC. | 1,00 | 05/11/2016 | | -- |



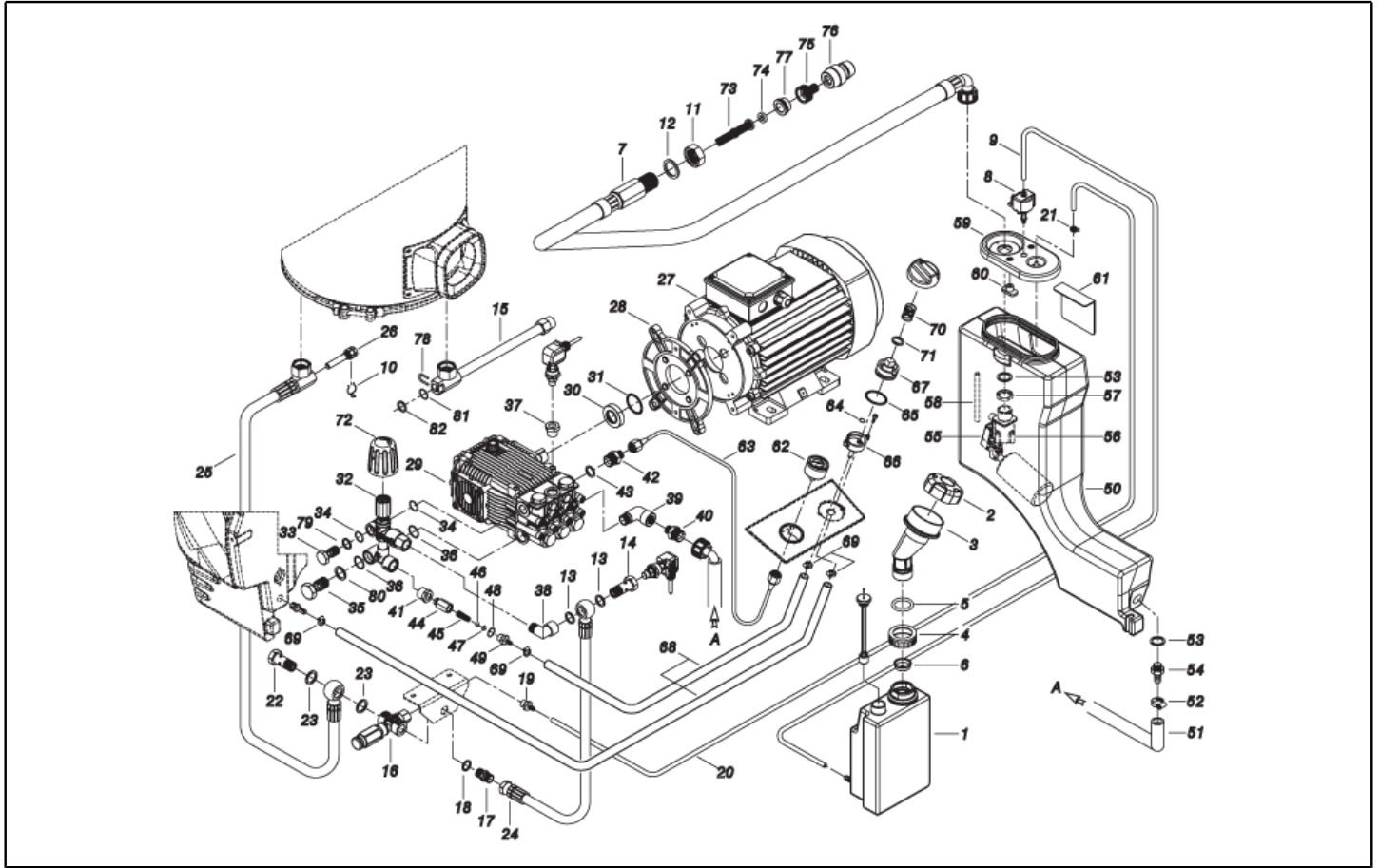
| Ref. Part n. | Cust. part n. | Description | Reference | Price |
|---------------|---------------|-------------------------------|------------------------------|-------|
| POT KTRI40415 | | KIT P 20- 4 POT. VSH P11 PW-H | 0024 0025 0054 0055 0056 POT | -- |



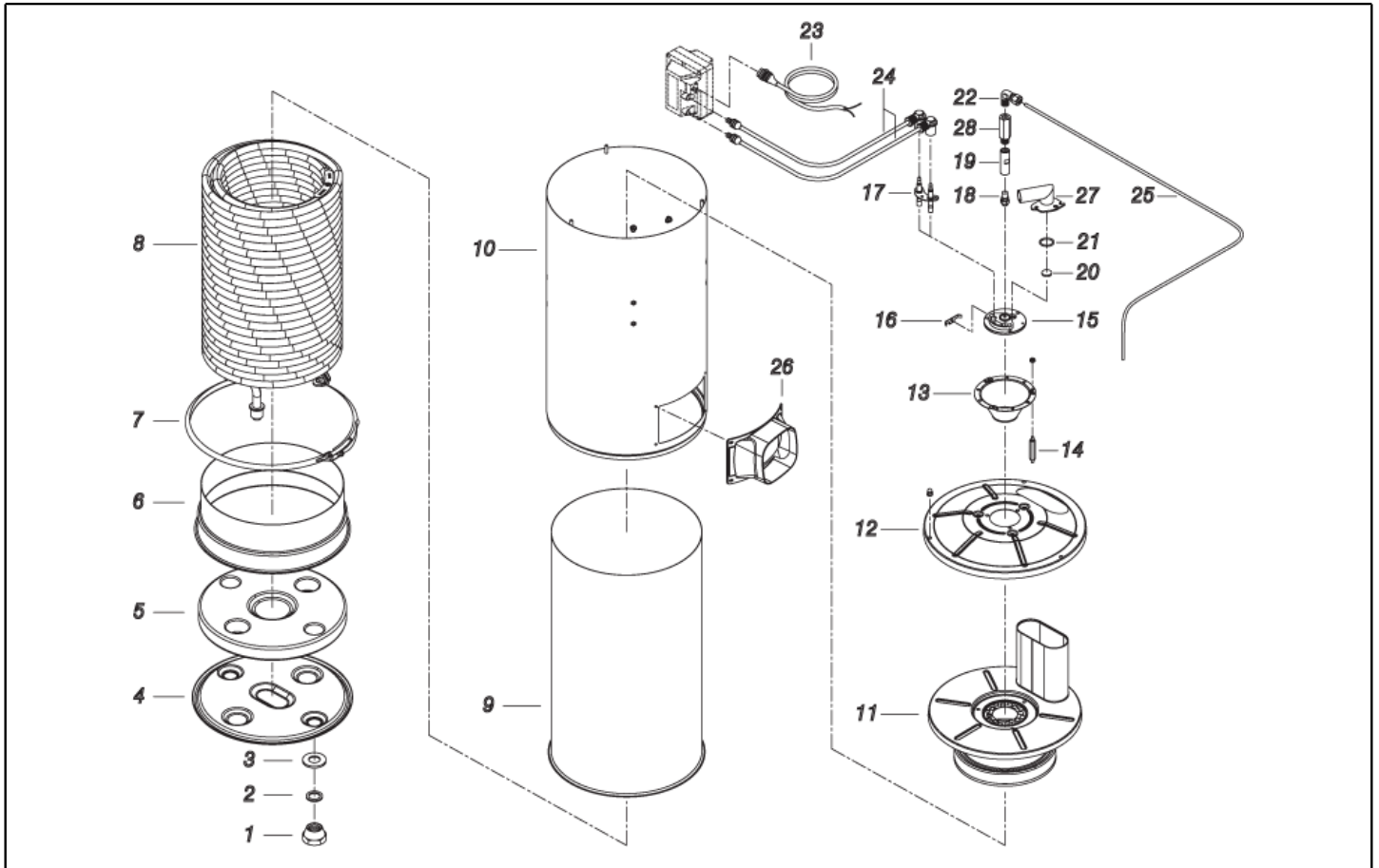
| Ref. K | Part n. | Customer part n. | Description | Quantity | Validity | | Price |
|--------|-----------|------------------|----------------------------------------|----------|----------|----|-------|
| | | | | | From | To | |
| 0001 | MPVR40698 | | TANK KSM C/PE. | 1,00 | | | -- |
| 0002 | MPVR40187 | | TANK CAP P215 PEHD C/F. | 1,00 | | | -- |
| 0003 | MPVR40700 | | MANIFOLD A.CLCL PW-H35 PP NT. | 1,00 | | | -- |
| 0004 | MPVR40739 | | TANK CAP KSM D.36.2 | 1,00 | | | -- |
| 0005 | GUGO89386 | | O-RING D. 30 X 5 NBR 70SH | 1,00 | | | -- |
| 0006 | MPVR18582 | 00018582 | CAP D.22 | 1,00 | | | -- |
| 0007 | TBBP40090 | | L.P. HOSE L=1870 3/4F90°-1/2M 0° | 1,00 | | | -- |
| 0008 | MEPD45940 | 00045940 | DESCALING PUMP NME 1 24V 50/60HZ | 1,00 | | | -- |
| 0009 | TBBP00058 | 00000058 | L.P. HOSE D. 4- 7 | 1,10 | | | -- |
| 0010 | MLML02623 | 00002623 | SPRING IMT | 1,00 | | | -- |
| 0011 | RCDS49875 | 00049875 | RING NUT 1/2"X 6 CH.27 OT. | 1,00 | | | -- |
| 0012 | VTRS00549 | 00000549 | WASHER D.21,5X27X1.5 (1/2) RM | 1,00 | | | -- |
| 0013 | VTRS00548 | 00000548 | WASHER D.17,5X23X1,5 (3/8)RM | 2,00 | | | -- |
| 0014 | RCDS40148 | | SCREW G 3/8 - 1/4F L=36 ZC. | 1,00 | | | -- |
| 0015 S | RCDS21118 | 00021118 | CONNECTOR KSM | 1,00 | | | -- |
| 0015 S | RCDS21119 | 00021119 | NUT KSM | 1,00 | | | -- |
| 0015 S | RCDS40230 | | CONNECTOR G 3/8F -1/4 -P/NTC C.27 | 1,00 | | | -- |
| 0015 S | RCDS40041 | | CONNECTOR L=216 2X3/8M CN. ZC. | 1,00 | | | -- |
| 0015 S | RCIN03753 | 00003753 | MALE COUPLING M22-3/8 M-FA | 1,00 | | | -- |
| 0016 | VVSC72419 | 00072419 | VALVE VS 350 G3/8 2E. | 1,00 | | | -- |
| 0017 | RCDS00610 | 00000610 | NIPPLE 3/8 - 3/8 SV | 1,00 | | | -- |
| 0018 | VTRS00548 | 00000548 | WASHER D.17,5X23X1,5 (3/8)RM | 1,00 | | | -- |
| 0019 | RCDS03514 | 00003514 | HOSE FITTING 3/8 M D. 5- 7 | 1,00 | | | -- |
| 0020 | TBBP93804 | | L.P. HOSE D. 6- 9 | 1,40 | | | -- |
| 0021 | FSVR40021 | | CLAMP D 7.8 - 8.3 | 1,00 | | | -- |
| 0022 | RCDS01371 | 00001371 | SCREW G 3/8 A.P. | 1,00 | | | -- |
| 0023 | VTRS00548 | 00000548 | WASHER D.17,5X23X1,5 (3/8)RM | 2,00 | | | -- |
| 0024 | TBAP40174 | | HOSE-FITTING 5/16 R2 3/8OC. -3/8F 0° | 1,00 | | | -- |
| 0025 | TBAP40173 | | HOSE-FITTING 3/ 8 R2 L=460 3/8OC.-PM26 | 1,00 | | | -- |
| 0026 | RCDS00593 | 00000593 | SUMP IM 0-120 L=50 | 1,00 | | | -- |
| 0027 | MOTR40012 | | 3PH MOTOR H100 HP 9 2/460-5/60 K.8M | 1,00 | | | -- |
| 0028 | MFVR21735 | 00021735 | COUNTERFLANGE MEC 112 2.V | 1,00 | | | -- |
| 0029 | PPAP40063 | | PUMP RK 20.19 DX NC 21LT. | 1,00 | | | -- |
| 0030 | RCDS40109 | | BUSHING AR RK OT | 1,00 | | | -- |
| 0031 | GUGO42285 | 00042285 | O-RING D. 35 X 2.5 VIT.70SH | 1,00 | | | -- |
| 0032 | VVAZ40062 | | VALVE VRF-2 AR-R AF S/L RG | 1,00 | | | -- |
| 0033 | RCDS40172 | | SCREW 3/8 VRF-2 OT 4F. | 1,00 | | | -- |
| 0034 | GUGO03510 | 00003510 | O-RING D. 12.37 X 2.62 NBR 70SH | 2,00 | | | -- |
| 0035 | RCDS40171 | | SCREW G 1/2 VRF-2 OT. 2F. | 1,00 | | | -- |
| 0036 | GUGO01048 | 00001048 | O-RING D. 15.88 X 2.62 NBR 70SH | 2,00 | | | -- |
| 0037 | PVVR40208 | | CAP AR RK C/F. 1/4F+OR | 1,00 | | | -- |
| 0038 | RCVR40158 | | ELBOW 3/8"-3/8" M/F A.P.Cn OTT. | 1,00 | | | -- |
| 0039 | RCVR00575 | 00000575 | ELBOW 1/2" M/F A10 | 1,00 | | | -- |
| 0040 | RCDS88747 | | NIPPLE 3/4 - 1/2 CB D. 9.0 | 1,00 | | | -- |



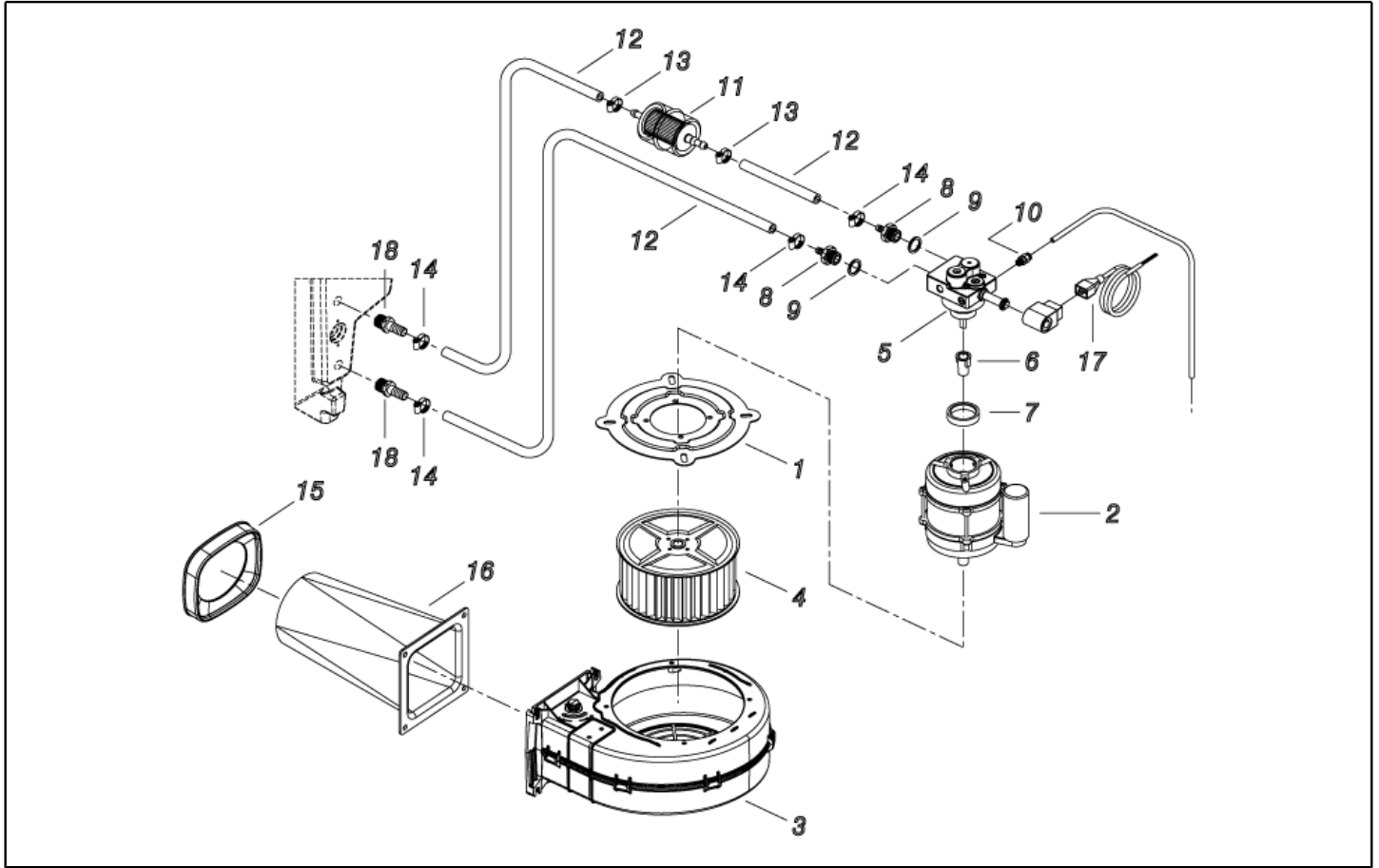
| Ref. K | Part n. | Customer part n. | Description | Quantity | Validity | | Price |
|--------|-----------|------------------|----------------------------------------|----------|------------|------------|-------|
| | | | | | From | To | |
| 0041 | RCVR02606 | 00002606 | REDUCTION 1/2-1/4 M/F | 1,00 | | | -- |
| 0042 | RCDS00608 | 00000608 | NIPPLE 3/8 - 1/4 SV | 1,00 | | | -- |
| 0043 | VTRS00548 | 00000548 | WASHER D.17,5X23X1,5 (3/8)RM | 1,00 | | | -- |
| 0044 | RCDS46072 | 00046072 | VALVE BODY N/R 1/4F-1/4 P176 OT | 1,00 | | | -- |
| 0045 | MLML21505 | 00021505 | SPRING D. 8 X5 X0.3 | 1,00 | | | -- |
| 0046 | SFVR04274 | 00004274 | BALL D. 7/32 | 1,00 | | | -- |
| 0047 | GUGO01055 | 00001055 | O-RING D. 5.28 X 1.78 VIT 70SH | 1,00 | | | -- |
| 0048 | GUGO01036 | 00001036 | O-RING D. 10.82 X 1.78 NBR 70SH | 1,00 | | | -- |
| 0049 | RCDS10546 | 00010546 | VALVE SEAT 1/4M + PG. D.3-7.5 OTT | 1,00 | | | -- |
| 0050 | MPVR40767 | | WATER TANK PW-H100 PEHD NT. | 1,00 | | | -- |
| 0051 | TBBP40091 | | L.P. HOSE L= 650 3/4F 0°-LIB.19X26 | 1,00 | | | -- |
| 0052 | FSVR00431 | 00000431 | CLAMP D. 16-25 | 1,00 | | | -- |
| 0053 | GUGO40060 | | GASKET D. 21.0-33 X 2.5 EPDM | 2,00 | | | -- |
| 0054 | RCVR40154 | | HOSE FITTING PPL D.19 -G.1/2M | 1,00 | | | -- |
| 0055 | MPVR88419 | | ADAPTER P245 PA6 BK. | 1,00 | | | -- |
| 0056 | RCGR60703 | 00060703 | FLOATER MTM 3/4 PP. S/F. | 1,00 | | | -- |
| 0057 | RCVR49974 | 00049974 | RING NUT 3/4" X 4 NIK | 1,00 | | | -- |
| 0058 | TBBP07631 | 00007631 | L.P. HOSE D.10-14 | 0,08 | | 14/06/2016 | -- |
| 0058 | TBBP40105 | | L.P. HOSE D.12-17 CRISTALL | 0,08 | 15/06/2016 | | -- |
| 0059 | MPVR40516 | | TANK COVER P190-35 PA6 BL. | 1,00 | | | -- |
| 0060 | MPVR89078 | | PLATE P190 PA6 BL. | 2,00 | | | -- |
| 0061 | LAFN40732 | | PANEL PW-H28 INX | 1,00 | | | -- |
| 0062 | MNMN18650 | 00018650 | PRESSURE GAUGE 0-300 D.40 | 1,00 | 01/03/2017 | | -- |
| 0063 | TBAP40113 | | POLYAMIDE HOSE L=420 1/4F GR.-1/8F MN. | 1,00 | 01/03/2017 | | -- |
| 0064 | GUGO08071 | 00008071 | O-RING D. 4.48 X 1.78 NBR 70SH | 1,00 | 01/03/2017 | | -- |
| 0065 | GUGO12183 | 00012183 | O-RING D. 23.4 X 3.53 VIT 70SH | 1,00 | 01/03/2017 | | -- |
| 0066 | RCGR08069 | 00008069 | TAP BODY DET. PRT | 1,00 | 01/03/2017 | | -- |
| 0067 | RCGR08070 | 00008070 | ADJUSTER PRT | 1,00 | 01/03/2017 | | -- |
| 0068 | TBBP00051 | 00000051 | DETERGENT HOSE D. 6-12 | 1,20 | 01/03/2017 | | -- |
| 0068 | TBBP00051 | 00000051 | DETERGENT HOSE D. 6-12 | 0,77 | 01/03/2017 | | -- |
| 0069 | FSVR00427 | 00000427 | CLAMP D. 12 CLIC 66-110 | 2,00 | 01/03/2017 | | -- |
| 0070 | MLML08068 | 00008068 | SPRING D.1.5 L.23 | 1,00 | 01/03/2017 | | -- |
| 0071 | VTRS00542 | 00000542 | WASHER D.14X20 | 1,00 | 01/03/2017 | | -- |
| 0072 | MPVR40589 | | BLACK KNOB ST 260 IPC | 1,00 | | | -- |
| 0073 | FTAC30214 | 00030214 | FILTER D.15X67 | 1,00 | | | -- |
| 0074 | GUGO37736 | 00037736 | GASKET D. 10- 19 X 5 70SH | 1,00 | | | -- |
| 0075 | RCVR29600 | 00029600 | SOCKET PTC 3/4 F | 1,00 | | | -- |
| 0076 | RCVR29602 | 00029602 | CONNECTOR D. 1/2"-5/8" PTC | 1,00 | | | -- |
| 0077 | RCVR37806 | 00037806 | REDUCTION PTC 3/4-1/2 M/F | 1,00 | | | -- |
| 0078 | LAFN40832 | | PLUG "U" SIST.NTC PW-H INX | 1,00 | | | -- |
| 0079 | VTRS00548 | 00000548 | WASHER D.17,5X23X1,5 (3/8)RM | 1,00 | 01/02/2016 | | -- |
| 0080 | VTRS00549 | 00000549 | WASHER D.21,5X27X1,5 (1/2) RM | 1,00 | 01/02/2016 | | -- |
| 0081 | GUGO27030 | 00027030 | O-RING D. 6 X 3 VIT 70SH | 1,00 | | | -- |
| 0082 | GUVR40089 | | ANTI-EXTR.RING D. 6.6X11.9X1.5 PTFE | 1,00 | | | -- |



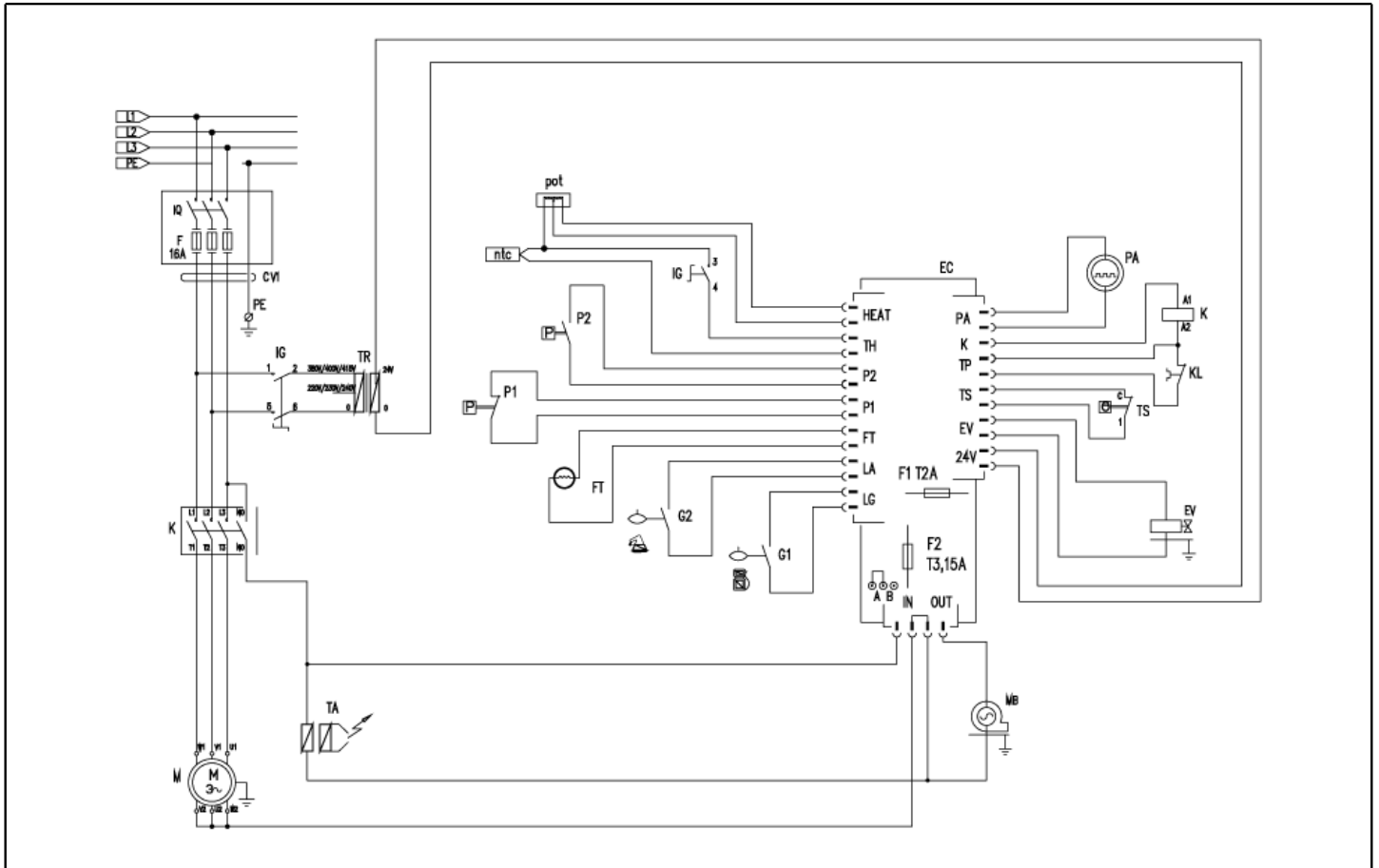
| Ref. Part n. | Cust. part n. | Description | Reference | Price |
|----------------|---------------|--------------------------|------------------------------------|-------|
| 0015 KTRI40385 | | KIT P 13- 13 PW-H100 NTC | 0015 0015 0015 0015 0015 0015 0015 | -- |



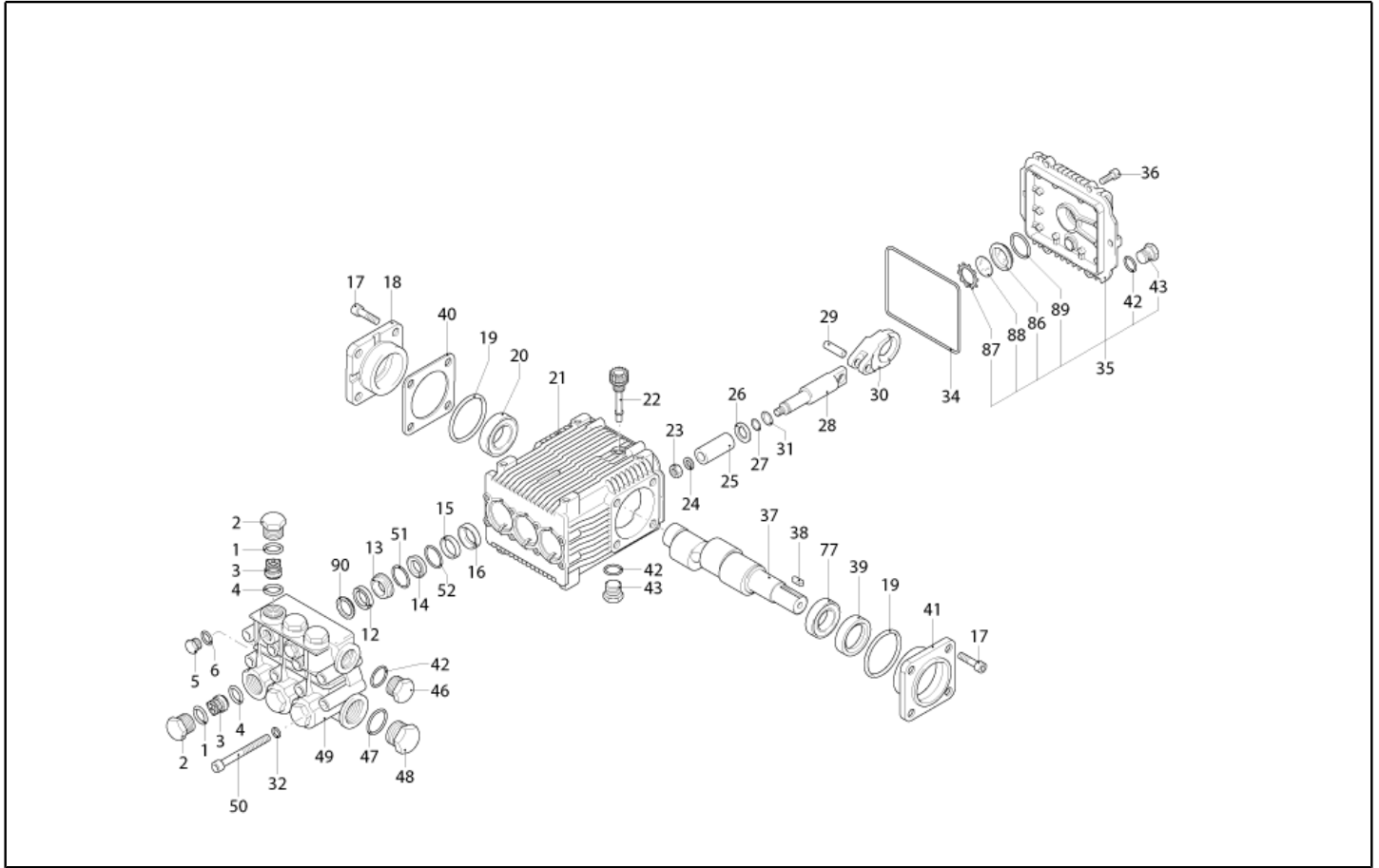
| Ref. K | Part n. | Customer part n. | Description | Quantity | Validity | | Price |
|--------|-----------|------------------|---------------------------------|----------|----------|----|-------|
| | | | | | From | To | |
| 0001 | RCDS21120 | 00021120 | RING NUT M 26 X 1,5 | 2,00 | | | -- |
| 0002 | GUGO21222 | 00021222 | O-RING D. 15.54 X 2.62 VIT 80SH | 2,00 | | | -- |
| 0003 | GUVR21021 | 00021021 | ANTI-EXTR.RING D. 21 X17 TEF. | 2,00 | | | -- |
| 0004 | LAFN44149 | 00044149 | BOILER BOTTOM P176 | 1,00 | | | -- |
| 0005 | ITTE44175 | 00044175 | BOTTOM P176 C.TE | 1,00 | | | -- |
| 0006 | LAFN40733 | | BAND P176-H28 INX | 1,00 | | | -- |
| 0007 | LAFN40037 | | RING D.342 P176 ZN 2V.CPL. | 1,00 | | | -- |
| 0008 | LAGR44873 | 00044873 | DOUBLE COIL M26X1.5 P176 40MT. | 1,00 | | | -- |
| 0009 | LAFN40275 | | INT. CYLINDER PM 40MT INX | 1,00 | | | -- |
| 0010 | LAFN40758 | | EXT. CYLINDER PM-H100.40 INX | 1,00 | | | -- |
| 0011 | LAFN40759 | | BOILER COVER SI PM-H100.40 INX | 1,00 | | | -- |
| 0012 | LAFN40270 | | BOILER COVER SE PM INX | 1,00 | | | -- |
| 0013 | LAFN44244 | 00044244 | BAFFLE P176 30M INX | 1,00 | | | -- |
| 0014 | LAFN40287 | | PIN CH.10 X 65 M5M/M5M | 3,00 | | | -- |
| 0015 | MFVR18226 | 00018226 | ELECTR.HOLDER FUT 3°V | 1,00 | | | -- |
| 0016 | LAFN07641 | 00007641 | PLATE INX | 1,00 | | | -- |
| 0017 | MECA12525 | 00012525 | ELECTRODE FUT | 1,00 | | | -- |
| 0018 | UGBR31344 | 00031344 | BURNER NOZZLE 1.75 60 S | 1,00 | | | -- |
| 0019 | RCDS07642 | 00007642 | NOZZLE HOLDER FUT | 1,00 | | | -- |
| 0020 | MPVR18228 | 00018228 | OIL WARN-LIGHT D.17 X3 | 1,00 | | | -- |
| 0021 | GUGO40061 | | GASKET D. 10- 18 X 1 NBR | 1,00 | | | -- |
| 0022 | RCLR08954 | 00008954 | ELBOW 1/8"-4 B5 | 1,00 | | | -- |
| 0023 | MECB34463 | 00034463 | CABLE BT L=800 SP. FD | 1,00 | | | -- |
| 0024 | MECV35335 | 00035335 | CABLE A.T. 9,8-23KOHMM L= 500P | 2,00 | | | -- |
| 0025 | TBCO40068 | | DIESEL HOSE PW-H100 40M D. 4 IX | 1,00 | | | -- |
| 0026 | MPVR88426 | | CONVEYOR P176 PA6 BK. | 1,00 | | | -- |
| 0027 | LAFN40734 | | SUPPORT PW-H35 BK. | 1,00 | | | -- |



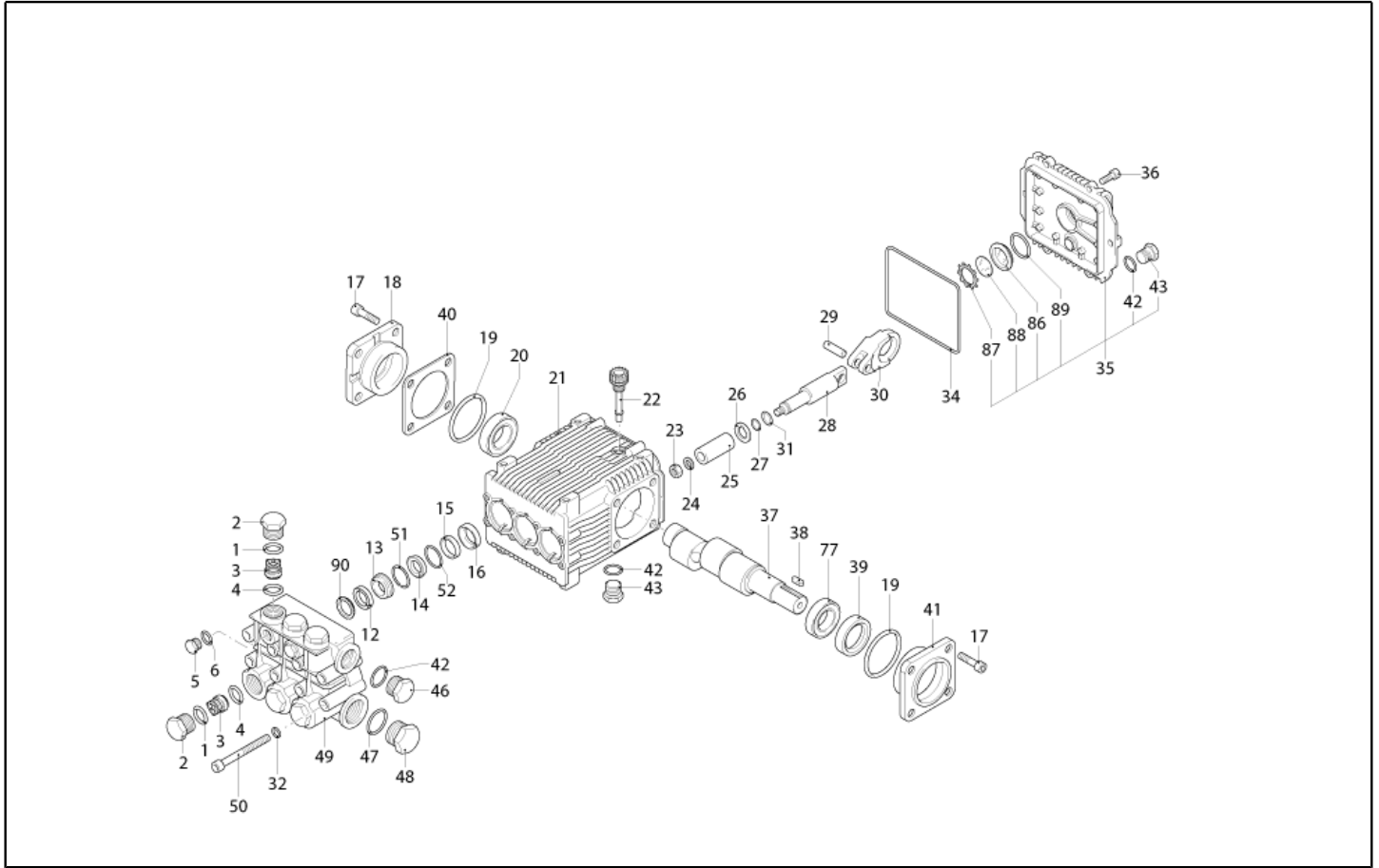
| Ref. K | Part n. | Customer part n. | Description | Quantity | Validity | | Price |
|--------|-----------|------------------|-------------------------------------------|----------|------------|------------|-------|
| | | | | | From | To | |
| 0001 | LAFN10272 | 00010272 | MOTOR PLATE CB 3 | 1,00 | | | -- |
| 0002 | MOMB40009 | | BURNER MOTOR 230-50 IPX5 180W AO/C | 1,00 | | | -- |
| 0003 | MPVR40665 | | SCROLL CB4 -2PZ.GR. | 1,00 | 06/11/2015 | | -- |
| 0004 | VEVR34275 | 00034275 | IMPELLER D.160-80 D.12.7 36P B.SX | 1,00 | | | -- |
| 0005 | PPGS40005 | | FUEL PUMP DNF BFA 01L3R2 | 1,00 | | | -- |
| 0006 | FGGT36513 | 00036513 | JOINT HP 0.25 AACO | 1,00 | | | -- |
| 0007 | GUGO40062 | | GASKET PW-H100 MOT.BR. | 1,00 | | | -- |
| 0008 | RCDS00626 | 00000626 | HOSE FITTING 1/4 M D. 5- 7 | 2,00 | | | -- |
| 0009 | VTRS04931 | 00004931 | WASHER COPPER D.13X19X1,5 | 2,00 | | | -- |
| 0010 | RCVR14014 | 00014014 | BI-CONE CONNEC. DTT 1/8" M B1 D. 2/ 4 NIK | 1,00 | | | -- |
| 0011 | FTCO40003 | | FUEL FILTER FB 7/TA 60mc NYL. | 1,00 | | 24/02/2016 | -- |
| 0011 | FTCO40004 | | FUEL FILTER FB 7/T 60mc NYL. | 1,00 | 25/02/2016 | | -- |
| 0012 | TBCO06945 | 00006945 | L.P. HOSE D. 6-12 10BAR C.PRESS | 0,11 | | | -- |
| 0012 | TBCO06945 | 00006945 | L.P. HOSE D. 6-12 10BAR C.PRESS | 1,00 | | | -- |
| 0012 | TBCO06945 | 00006945 | L.P. HOSE D. 6-12 10BAR C.PRESS | 1,22 | | | -- |
| 0013 | FSVR11197 | 00011197 | CLAMP D.I. 11 13315 | 2,00 | | | -- |
| 0014 | FSVR00427 | 00000427 | CLAMP D. 12 CLIC 66-110 | 6,00 | | | -- |
| 0015 | GUGO88425 | | GASKET P245 EPDM | 1,00 | | | -- |
| 0016 | MPVR40766 | | CONVEYOR CB4-H100 PA6 | 1,00 | | | -- |
| 0017 | MECB46130 | 00046130 | CABLE DLT L=1100 | 1,00 | | | -- |
| 0018 | RCVR40113 | | HOSE FITTING 1/8 M D. 5- 7 NIK | 3,00 | | | -- |



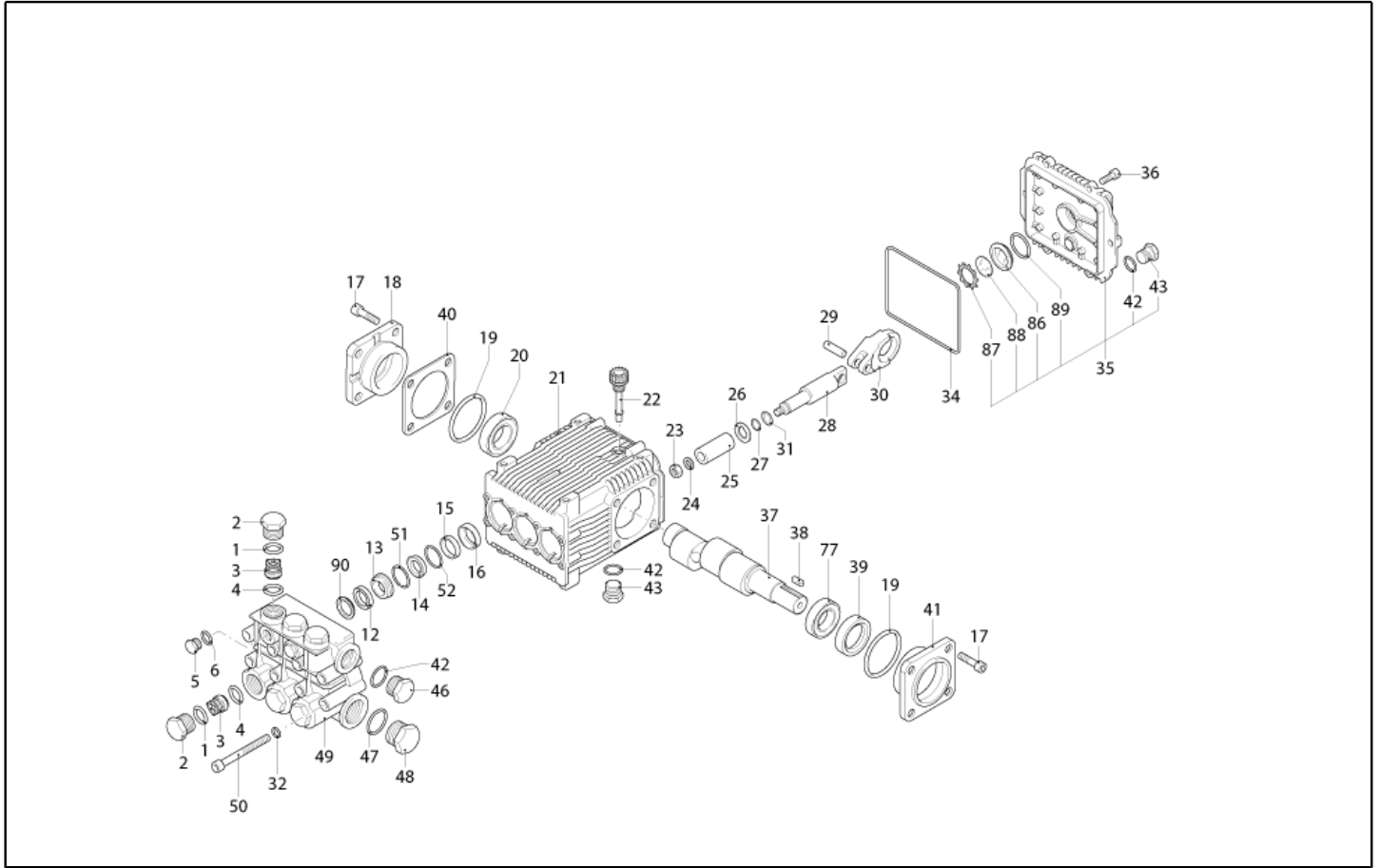
| Ref. K | Part n. | Customer part n. | Description | Quantity | Validity | | Price |
|--------|-----------|------------------|-----------------------------------------|----------|------------|----|-------|
| | | | | | From | To | |
| K | METT40019 | | CONTACTOR SIE 3RT 2025-1AC20 24V | 1,00 | | | -- |
| EV | MEBE43704 | 00043704 | COIL DNF 24-50 | 1,00 | | | -- |
| FT | MECF40005 | | PHOTOELET.CELL LDS 057H7103 C/CNN. | 1,00 | 10/09/2016 | | -- |
| FT | MECB40363 | | CABLE N.557 2X1 SG L.500 CN. | 1,00 | 10/09/2016 | | -- |
| G1 | MECI40006 | | SENSOR LEVEL S1.PML.XD.FPJ FST. | 1,00 | | | -- |
| G2 | MECI34444 | 00034444 | SWITCH REED N.C.H185 L=1300 | 1,00 | | | -- |
| IG | MECI40017 | | COMMUTAT.SWITCH 0-1-2 UN. | 1,00 | | | -- |
| TA | METR88630 | | TRANSFORMER 23/240V-5/60HZ 2X26KV TR. | 1,00 | | | -- |
| TR | METR40018 | | TRANSFORMER 25VA 230-400/24 5/60HZ PM | 1,00 | | | -- |
| TS | METK34839 | 00034839 | THERMOSTAT 60°C TR/711-N C.1.5 | 1,00 | 01/10/2017 | | -- |
| CV1 | MECB40146 | | CABLE H07 RNF 4X2.5 L=6.800 | 1,00 | | | -- |
| EC1 | MECE40045 | | PCB PW T-SI/MP V.PL.+CO-Ntc | 1,00 | | | -- |
| EC2 | MECE40041 | | PCB LED PW 4/5 GR. FLT. | 1,00 | | | -- |
| NTC | MEVR40150 | | PROBE NTC/150 IP65 C.1000 | 1,00 | | | -- |
| POT S | MEVR40149 | | POTENTIOMETER VSH P11S1V0FLSY 5/10K LN. | 1,00 | | | -- |
| P1,2 | MEPF76254 | 00076254 | PRESSURE SWITCH PR 5 1/4M 25BAR | 2,00 | | | -- |



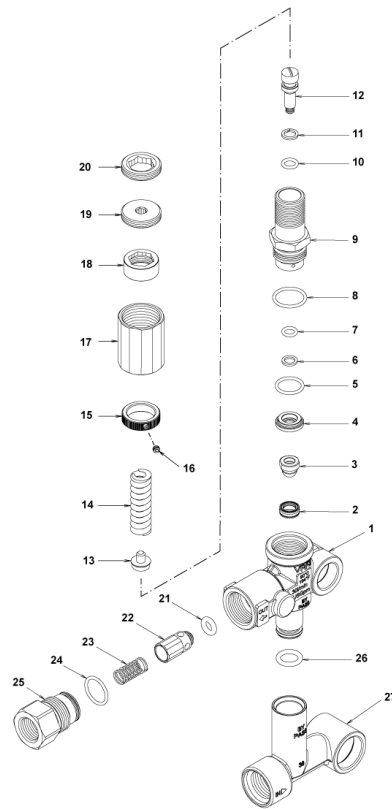
| Ref. K | Part n. | Customer part n. | Description | Quantity | Validity | | Price |
|--------|-------------|------------------|---------------------------------|----------|----------|----|-------|
| | | | | | From | To | |
| 0001 | GUGO03502 | 00003502 | O-RING D. 17.86 X 2.62 NBR 70SH | 6,00 | | | -- |
| 0002 | PVVR40161 | | CAP AR RR | 6,00 | | | -- |
| 0003 | S VVAM40003 | | VALVE UNIT RR | 6,00 | | | -- |
| 0004 | S GUGO02259 | 00002259 | O-RING D. 15.54 X 2.62 NBR 70SH | 6,00 | | | -- |
| 0005 | PVVR40129 | | CAP 1/4 M RC | 2,00 | | | -- |
| 0006 | GUGO01036 | 00001036 | O-RING D. 10.82 X 1.78 NBR 70SH | 2,00 | | | -- |
| 0012 | S GUVR40051 | | PACKING D. 22 RK W1 | 3,00 | | | -- |
| 0013 | PVVR40212 | | INTERMED. RING D.22 RK | 3,00 | | | -- |
| 0014 | S GUVR40050 | | PACKING D. 22 RK W2 | 3,00 | | | -- |
| 0015 | PVVR40210 | | SPACER D. 35 RK | 3,00 | | | -- |
| 0016 | S GUGO40022 | | OIL SEAL RK | 3,00 | | | -- |
| 0017 | VTVT01118 | 00001118 | SCREW TCEI M 8X16 ZC. UNI 5931 | 8,00 | | | -- |
| 0018 | MFVR40038 | | CRANKASE COVER AR RK LT. | 1,00 | | | -- |
| 0019 | S GUGO01053 | 00001053 | O-RING D. 60 X 2.62 NBR 70SH | 2,00 | | | -- |
| 0020 | CUVR40011 | | BEARING 30304 DQ | 1,00 | | | -- |
| 0021 | MFVR40039 | | PUMP CRANKCASE AR RK | 1,00 | | | -- |
| 0022 | PVVR19231 | 00019231 | OIL CAP XTS | 1,00 | | | -- |
| 0023 | VTDD00483 | 00000483 | NUT M 8 ZIN UNI 5588 | 3,00 | | | -- |
| 0024 | VTRS19394 | 00019394 | WASHER D. 8X13X0.5 | 3,00 | | | -- |
| 0025 | S PIVR40009 | | PISTON D.22X40 RK | 3,00 | | | -- |
| 0026 | PVVR40218 | | DISC RK | 3,00 | | | -- |
| 0027 | GUGO08071 | 00008071 | O-RING D. 4.48 X 1.78 NBR 70SH | 3,00 | | | -- |
| 0028 | PVVR40217 | | PISTON GUIDE RK | 3,00 | | | -- |
| 0029 | PVVR40211 | | GUDGEON D. 10X25 RK | 3,00 | | | -- |
| 0030 | BLVR40005 | | CONNECTING ROD RK | 3,00 | | | -- |
| 0031 | GUVR40044 | | ANTI-EXTR.RING D. 5 X 8 X1 | 3,00 | | | -- |
| 0032 | VTRS00504 | 00000504 | WASHER D. 8 TE ZC. UNI 6592 | 8,00 | | | -- |
| 0034 | S GUGO40023 | | O-RING D. 106 X 3 NBR 70SH | 1,00 | | | -- |
| 0035 | MFVR40041 | | CRANKASE COVER AR RK | 1,00 | | | -- |
| 0036 | VTVT01114 | 00001114 | SCREW TCEI 6X14 UNI 5931 | 6,00 | | | -- |
| 0037 | ALMO40017 | | SHAFT AR RK20.19 NC | 1,00 | | | -- |
| 0038 | VTVR41531 | 00041531 | KEY 8X 7X35 UNI 6604A | 1,00 | | | -- |
| 0039 | S GUGO01245 | 00001245 | OIL SEAL 25X 45X10-L-CM -NBR70 | 1,00 | | | -- |
| 0040 | PVVR40214 | | THICKNESS AR 0,20 mm | 1,00 | | | -- |
| 0041 | MFVR40040 | | CRANKASE COVER AR RK LAT. OPEN | 1,00 | | | -- |
| 0042 | GUGO09720 | 00009720 | O-RING D. 14 X 1.78 NBR 70SH | 3,00 | | | -- |
| 0043 | PVVR40099 | | CAP 3/8 M HRM | 1,00 | | | -- |
| 0046 | PVVR40099 | | CAP 3/8 M HRM | 1,00 | | | -- |
| 0047 | GUGO19245 | 00019245 | O-RING D. 17.5 X 2 NBR 70SH | 1,00 | | | -- |
| 0048 | PVVR40121 | | CAP 1/2 M RC | 1,00 | | | -- |
| 0049 | MFVR40042 | | HEAD AR RK OT. | 1,00 | | | -- |
| 0050 | VTVT37530 | 00037530 | SCREW TCEI M 8X70 UNI 5931 | 8,00 | | | -- |
| 0051 | S GUGO10379 | 00010379 | O-RING D. 22 X 2 NBR 70SH | 3,00 | | | -- |
| 0052 | S GUGO40024 | | O-RING D. 28.25 X 1.78 NBR 70SH | 3,00 | | | -- |



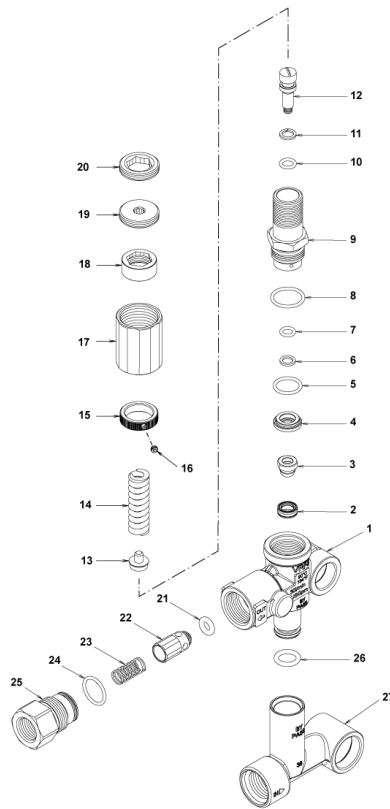
| Ref. K | Part n. | Customer part n. | Description | Quantity | Validity | | Price |
|--------|-----------|------------------|---------------------------------|----------|----------|----|-------|
| | | | | | From | To | |
| 0077 | CUVR66788 | | BEARING D.25X52X16,25 30205 SKF | 1,00 | | | -- |
| 0086 | PVVR19238 | 00019238 | OIL INDICATOR XTS | 1,00 | | | -- |
| 0087 | VTAE19239 | 00019239 | SEEGER 0,5 X25,35X16,0 | 1,00 | | | -- |
| 0088 | PVVR40199 | | DISC CONTRASTO POMPA RW | 1,00 | | | -- |
| 0089 | GUGO19395 | 00019395 | O-RING D. 20.24 X 2.62 NBR 70SH | 1,00 | | | -- |



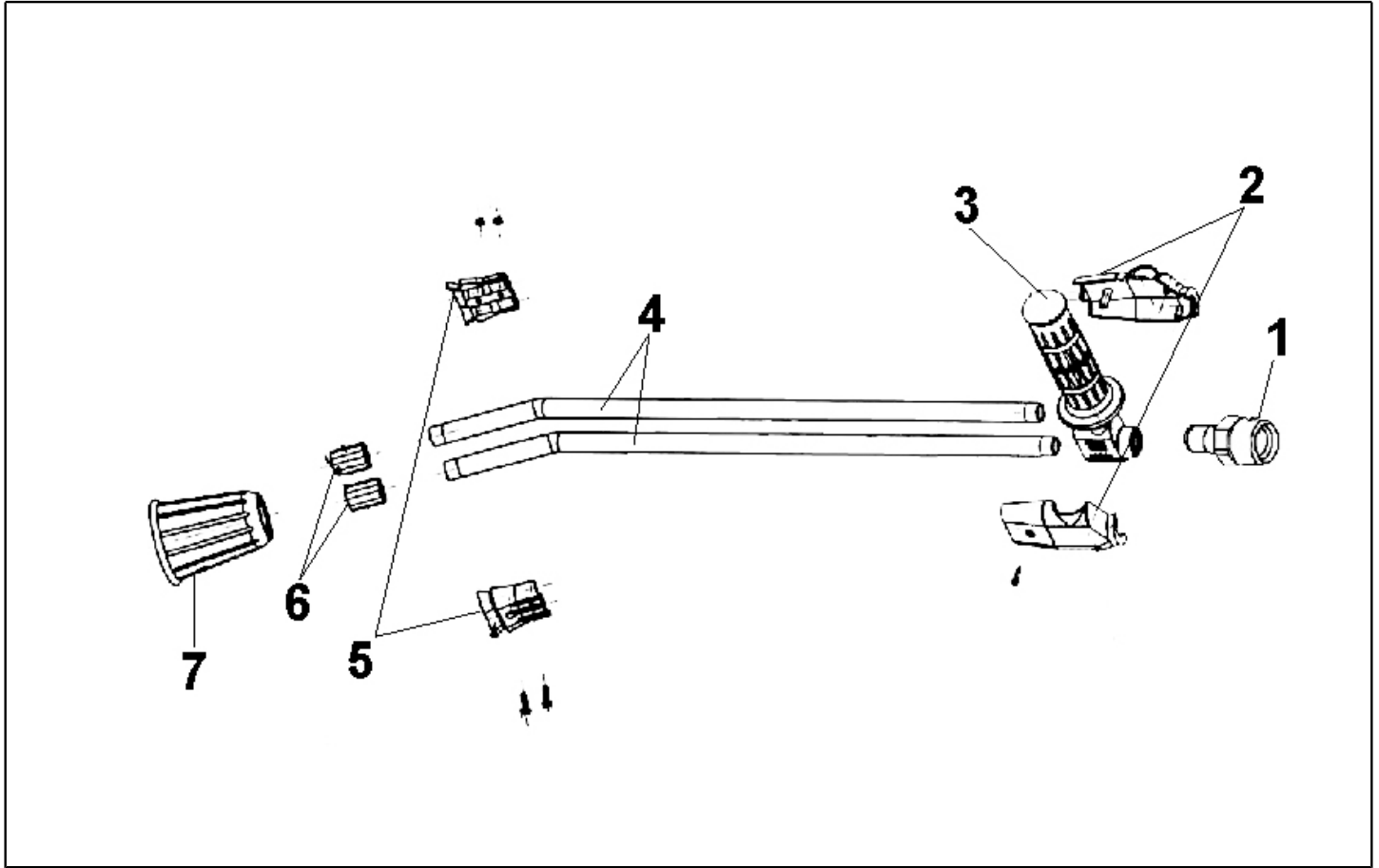
| Ref. Part n. | Cust. part n. | Description | Reference | Price |
|--------------|---------------|------------------------|---------------------|-------|
| K A | KTRI40142 | KIT P 15-42909 RR | 0003 0004 | -- |
| K B | KTRI40166 | KIT P 15-2526 D.22 RK | 0025 | -- |
| K C | KTRI40167 | KIT P 15-1855 RK | 0016 0019 0034 0039 | -- |
| K E | KTRI40168 | KIT P 15-42925 D.22 RK | 0012 0014 0051 0052 | -- |



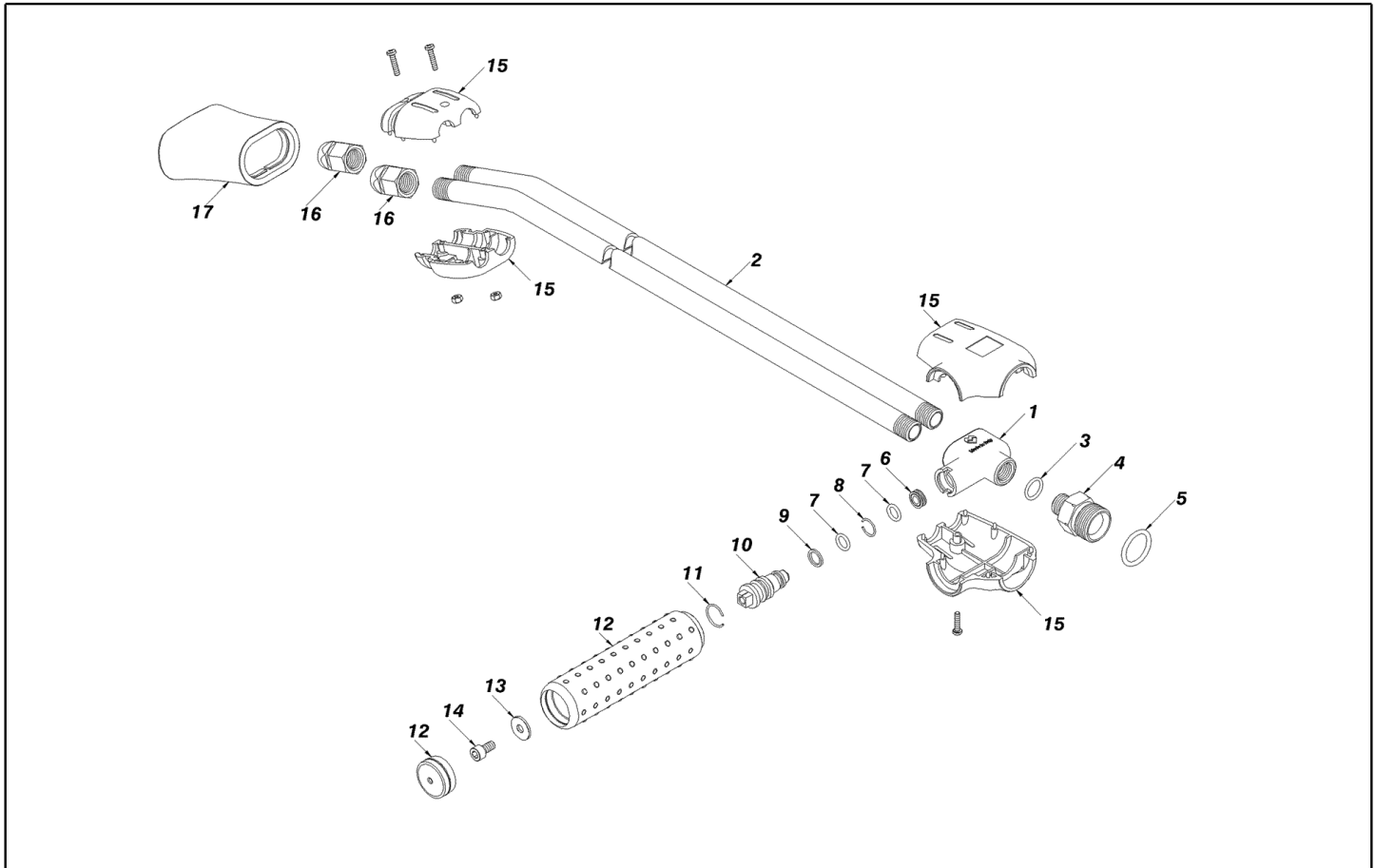
| Ref. K | Part n. | Customer part n. | Description | Quantity | Validity | | Price |
|--------|-------------|------------------|-----------------------------------|----------|----------|----|-------|
| | | | | | From | To | |
| 0001 | PVVR40362 | | VALVE BODY VRF2 | 1,00 | | | -- |
| 0002 | S PVVR40363 | | VALVE SEAT MV124 +OR | 1,00 | | | -- |
| 0003 | S PVVR40364 | | COUPLING MV124 | 1,00 | | | -- |
| 0004 | S PVVR40365 | | SPACER MV124 | 1,00 | | | -- |
| 0005 | S GUGO12322 | 00012322 | O-RING D. 14 X 1.78 NBR 90SH | 1,00 | | | -- |
| 0006 | S GUVR40072 | | ANTI-EXTR.RING D. 6.5X 9.4 | 1,00 | | | -- |
| 0007 | S GUGO83861 | | O-RING D. 6.07 X 1.78 NBR 90SH | 1,00 | | | -- |
| 0008 | S GUGO24913 | 00024913 | O-RING D. 17.17 X 1.78 NBR 90SH | 1,00 | | | -- |
| 0009 | S PVVR40388 | | CONNECTOR VRF2 RG.165 56A | 1,00 | | | -- |
| 0010 | S GUGO03500 | 00003500 | O-RING D. 6.75 X 1.78 NBR 70SH | 1,00 | | | -- |
| 0011 | S GUVR40073 | | ANTI-EXTR.RING D. 7.1X10 X1.2 TBT | 1,00 | | | -- |
| 0012 | S PVVR40367 | | SMALL PISTON D.10 VRF2 | 1,00 | | | -- |
| 0013 | S PVVR40368 | | SPRING PLATE MV124 25B | 1,00 | | | -- |
| 0014 | S MLML47987 | 00047987 | SPRING D. 3.25X41.1 MV 625 | 1,00 | | | -- |
| 0015 | S PVVR40369 | | RING NUT MV167.09 | 1,00 | | | -- |
| 0016 | S VTVT89696 | | SCREW EI-ST 4X 4 UNI5927 ZC | 1,00 | | | -- |
| 0017 | S PVVR47989 | 00047989 | CAP MV 625 REG. | 1,00 | | | -- |
| 0018 | S PVVR47990 | 00047990 | RING NUT MV 625 REG. | 1,00 | | | -- |
| 0019 | S PVVR47991 | 00047991 | REGISTER MV 625 REG. | 1,00 | | | -- |
| 0020 | S PVVR47992 | 00047992 | CLAMP MV 625 REG. | 1,00 | | | -- |
| 0021 | S GUGO46053 | 00046053 | O-RING D. 6 X 3 NBR 90SH | 1,00 | | | -- |
| 0022 | PVVR40349 | | COUPLING VRT3 | 1,00 | | | -- |
| 0023 | MLML40026 | | SPRING VRT3 | 1,00 | | | -- |
| 0024 | S GUGO12321 | 00012321 | O-RING D. 15.6 X 1.78 NBR 90SH | 1,00 | | | -- |
| 0025 | PVVR40350 | | CONNECTOR VRT3 G 3/8F | 1,00 | | | -- |
| 0026 | GUGO11225 | 00011225 | O-RING D. 10.78 X 2.62 NBR 70SH | 1,00 | | | -- |
| 0027 | PVVR40373 | | CONNECTOR VRF2.24 | 1,00 | | | -- |



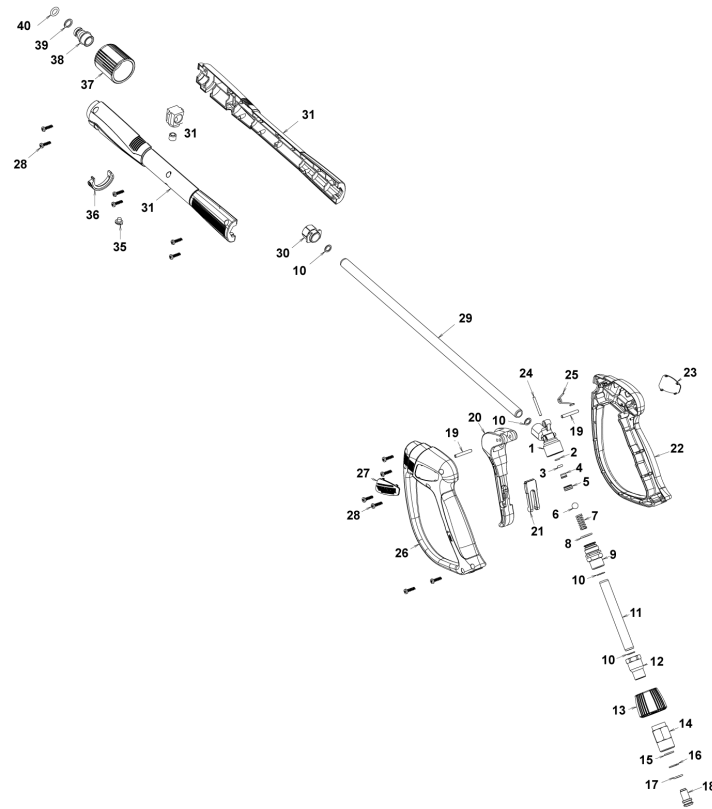
| Ref. Part n. | Cust. part n. | Description | Reference | Price |
|--------------|---------------|------------------------|---------------------------------------------------------------------------------------------------|-------|
| KTRI40256 | | KIT P 14-105 VRF2 Reg. | 0002 0003 0004 0005 0006 0007 0008 0009 0010 0011 0012 0013 0014 0015 0016 0017 0018 0019 0020 | -- |
| KTRI40237 | | KIT P 14-104 SEAL VRF2 | 0002 0003 0005 0006 0007 0008 0010 0011 0021 0024 | -- |



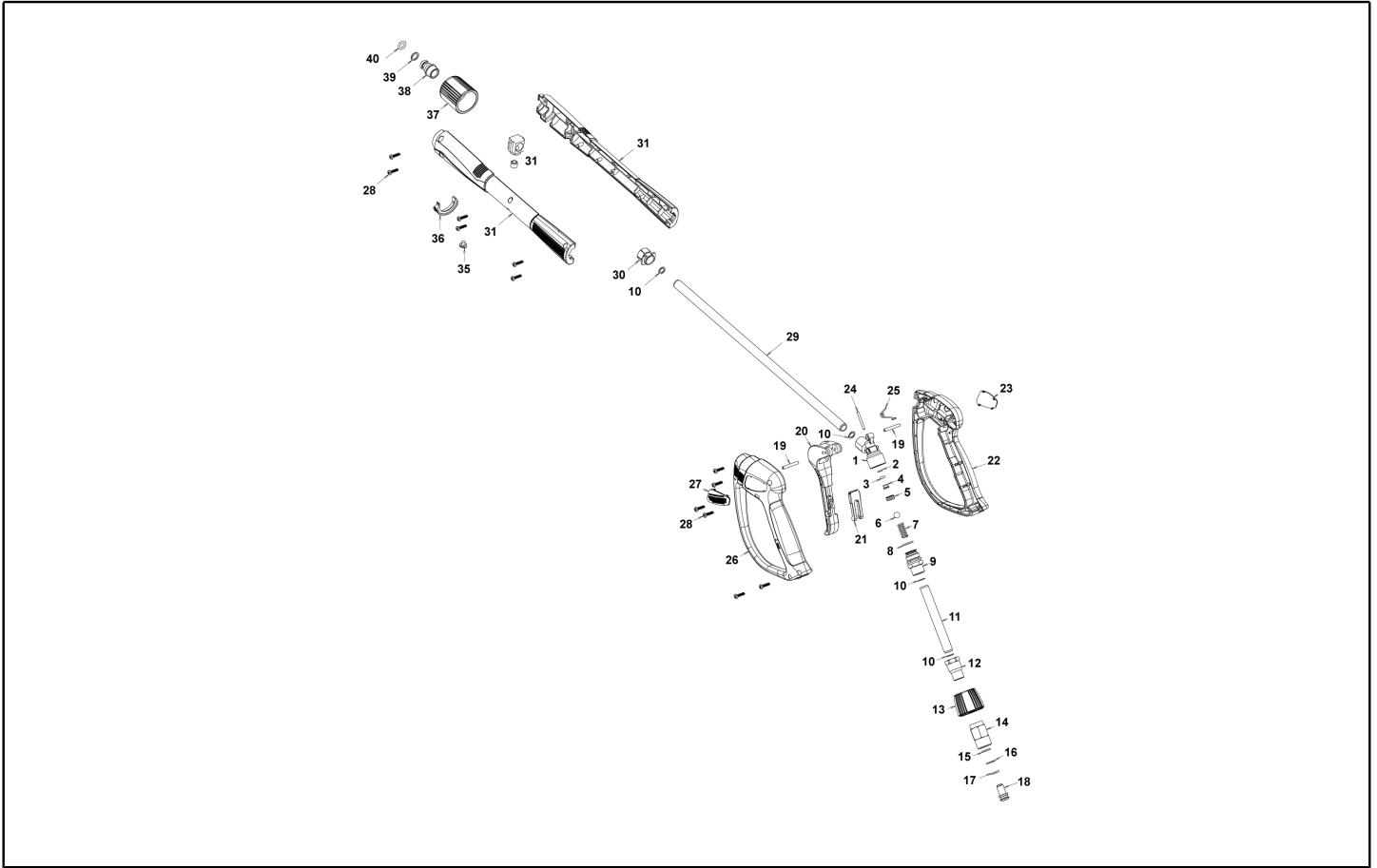
| Ref. K | Part n. | Customer part n. | Description | Quantity | Validity | | Price |
|--------|-----------|------------------|--------------------------------|----------|----------|----|-------|
| | | | | | From | To | |
| 0001 | PVVR45296 | 00045296 | COUPLING G 1/4M -M22 M +PR.PLS | 1,00 | | | -- |
| 0002 | MPVR45214 | 00045214 | PROTECTION TB.1/4 MTM | 1,00 | | | -- |
| 0003 | RCGR45737 | 00045737 | TAP 1/8 F LD MTM | 1,00 | | | -- |
| 0004 | LCPR45740 | 00045740 | TUBE 1/8 L=660 INOX MTM | 2,00 | | | -- |
| 0005 | MPVR45001 | 00045001 | SHELL LD MTM | 1,00 | | | -- |
| 0006 | RCVR45741 | 00045741 | NOZZLE HOLDER 1/4-1/8 F MTM | 2,00 | | | -- |
| 0007 | PVVR43810 | 00043810 | PROTECTION L.D. MTM | 1,00 | | | -- |



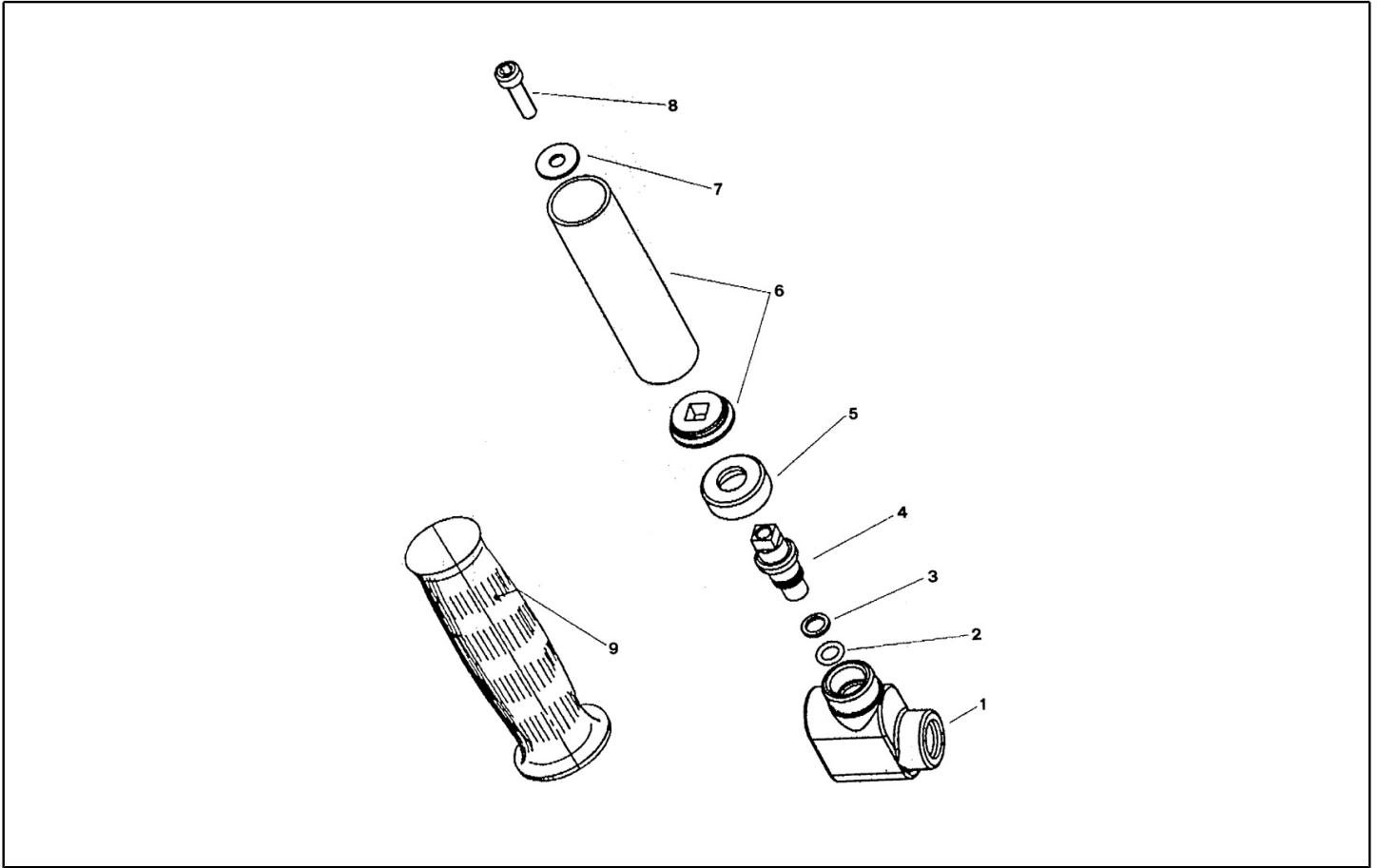
| Ref. K | Part n. | Customer part n. | Description | Quantity | Validity | | Price |
|--------|-----------|------------------|---------------------------------|----------|------------|------------|-------|
| | | | | | From | To | |
| 0001 | RCGR40000 | | TAP BODY L.DOP. 1/4" MV INX | 1,00 | | | -- |
| 0002 | LCPR40000 | | TUBE 1/4 L=700 CROM. | 2,00 | | 30/11/2009 | -- |
| 0002 | LCPR40107 | | TUBE 1/4 L=700 INX. | 2,00 | 01/12/2009 | | -- |
| 0003 | GUGO19194 | 00019194 | O-RING D. 11.11 X 1.78 NBR 70SH | 1,00 | | 30/09/2010 | -- |
| 0003 | VTRS04931 | 00004931 | WASHER COPPER D.13X19X1.5 | 1,00 | 01/10/2010 | | -- |
| 0004 | RCIN46781 | 00046781 | MALE COUPLING MV 1/4 -M 22 M | 1,00 | | | -- |
| 0005 | GUGO01056 | 00001056 | O-RING D. 18.72 X 2.62 NBR 70SH | 1,00 | | | -- |
| 0006 | PVVR40019 | | BUSHING MV LD | 1,00 | | | -- |
| 0007 | GUGO06988 | 00006988 | O-RING D. 7.66 X 1.78 NBR 70SH | 2,00 | | | -- |
| 0008 | PVVR40020 | | CIRCLIP LD MV D. 8 | 1,00 | | | -- |
| 0009 | GUGO40002 | | ANTI-EXTR.RING D. 8 NBR | 1,00 | | | -- |
| 0010 | PVVR40021 | | REGULAT. SCREW LD MV INX | 1,00 | | | -- |
| 0011 | PVVR46783 | 00046783 | CIRCLIP LD MV | 1,00 | | | -- |
| 0012 | PVVR46784 | 00046784 | KNOB LD MV +CAP | 1,00 | | | -- |
| 0013 | VTRS15958 | 00015958 | WASHER UNI 6592 5X15X1,5 ZB | 1,00 | | | -- |
| 0014 | VTVT17639 | 00017639 | SCREW TCEI M 5X10 UNI 5931 | 1,00 | | | -- |
| 0015 | MPVR46786 | 00046786 | PROTECTION LD/TB MV | 1,00 | | | -- |
| 0016 | RCVR46787 | 00046787 | NOZZLE HOLDER 1/4-1/4 F MV | 12,00 | | | -- |
| 0017 | PVVR46788 | 00046788 | PROTECTION LD MV | 1,00 | | | -- |



| Ref. K | Part n. | Customer part n. | Description | Quantity | Validity | | Price |
|--------|-------------|------------------|---------------------------------|----------|----------|----|-------|
| | | | | | From | To | |
| 0001 | PVVR40381 | | GUN BODY G 5100 G1/4F | 1,00 | | | -- |
| 0002 | S GUVR40074 | | ANTI-EXTR.RING D. 3 X 7.4X1.3 | 1,00 | | | -- |
| 0003 | S GUGO21835 | 00021835 | O-RING D. 2.84 X 2.62 VIT. 80SH | 1,00 | | | -- |
| 0004 | PVVR40382 | | PISTON GUIDE G 5100 | 1,00 | | | -- |
| 0005 | S PVVR40112 | | BALL SEAT G 5000 | 1,00 | | | -- |
| 0006 | S SFVR40002 | | BALL D.11/32" ALL GR16 | 1,00 | | | -- |
| 0007 | MLML40016 | | SPRING D. 9.4 x21.5x1.6 G5000 | 1,00 | | | -- |
| 0008 | GUGO12322 | 00012322 | O-RING D. 14 X 1.78 NBR 90SH | 1,00 | | | -- |
| 0009 | PVVR40383 | | CONNECTOR COLL.G5100 1/4F | 1,00 | | | -- |
| 0010 | VTRS40017 | | WASHER D. 8.2X11,4X1.00 | 4,00 | | | -- |
| 0011 | PVVR40384 | | TUBE G 1/4" L.105 | 1,00 | | | -- |
| 0012 | RCIN40022 | | CONNECTOR SWIV G5100 1/4F | 1,00 | | | -- |
| 0013 | MPVR40819 | | RING NUT G 5100 SW. BK. | 1,00 | | | -- |
| 0014 | RCIN40021 | | JOINT SWIV 5100 M22 | 1,00 | | | -- |
| 0015 | S GUVR40075 | | ANTI-EXTR.RING D. 10 X14X1.5 | 1,00 | | | -- |
| 0016 | S GUVR40076 | | ANTI-EXTR.RING D. 11.2X14X1.2 | 1,00 | | | -- |
| 0017 | S GUGO15295 | 00015295 | O-RING D. 10.82 X 1.78 VIT 80SH | 1,00 | | | -- |
| 0018 | PVVR40386 | | SCREW SW. G 5100 | 1,00 | | | -- |
| 0019 | VTVR40047 | | PLUG D. 4X29 | 2,00 | | | -- |
| 0020 | MPVR40820 | | TRIGGER G 6000-SW | 1,00 | | | -- |
| 0021 | MPVR40821 | | SAFETY-DEVICE G 6000-SW | 1,00 | | | -- |
| 0022 | MPVR40822 | | SHELL G 6000-SW DX | 1,00 | | | -- |
| 0023 | MPVR40823 | | PLATE G 6000 GR.DX | 1,00 | | | -- |
| 0024 | PVVR40387 | | SMALL PISTON G 5100 | 1,00 | | | -- |
| 0025 | MLML40029 | | SPRING G 5100 | 1,00 | | | -- |
| 0026 | MPVR40824 | | SHELL G 6000-SW SX | 1,00 | | | -- |
| 0027 | MPVR40825 | | PLATE G 6000 GR.SX | 1,00 | | | -- |
| 0028 | VTVT40043 | | SCREW AF 4X 14 HILO ZN.N | 12,00 | | | -- |
| 0029 | LCPR40086 | | TUBE 1/4 L=420 ZC. 0° | 1,00 | | | -- |
| 0030 | MPVR40493 | | CONNECTOR G 5100-SW | 1,00 | | | -- |
| 0031 | MPVR40494 | | PROTECTION P 420 C/AN. | 1,00 | | | -- |
| 0035 | MPVR40198 | | CAP G 5000 | 1,00 | | | -- |
| 0036 | MPVR40495 | | CAP G 5100 REM. | 1,00 | | | -- |
| 0037 | PVVR40119 | | CONNECTION M22X1,5 IRV G5000 | 1,00 | | | -- |
| 0038 | RCIN40009 | | GUDGEON G 1/4 F IRV G5000 | 1,00 | | | -- |
| 0039 | GUVR40034 | | ANTI-EXTR.RING D. 10 X14 | 1,00 | | | -- |
| 0040 | GUGO01946 | 00001946 | O-RING D. 9.13 X 2.62 VIT 70SH | 1,00 | | | -- |



| Ref. Part n. | Cust. part n. | Description | Reference | Price |
|--------------|---------------|----------------------------|---------------------|-------|
| KTRI40243 | | KIT P 26- 26 SWIVEL G 5100 | 0015 0016 0017 | -- |
| KTRI40414 | | KIT P 26- 34 G 6000 | 0002 0003 0005 0006 | -- |



| Ref. K | Part n. | Customer part n. | Description | Quantity | Validity | | Price |
|--------|-----------|------------------|--------------------------------|----------|------------|------------|-------|
| | | | | | From | To | |
| 0001 | RCGR41556 | 00041556 | TAP BODY L.DOP. 1/8" MTM | 1,00 | | 08/03/2010 | -- |
| 0001 | PVVR40132 | | VALVE BODY L.DP 1/4F-1/8FF CP. | 1,00 | 09/03/2010 | | -- |
| 0002 | GUGO10330 | 00010330 | O-RING D. 6.07 X 1.78 VIT 70SH | 1,00 | | 08/03/2010 | -- |
| 0003 | GUVR41551 | 00041551 | ANTI-EXTR.RING SR 010 | 1,00 | | 08/03/2010 | -- |
| 0004 | PVVR41553 | 00041553 | SMALL PISTON L.DP. MTM | 1,00 | | 08/03/2010 | -- |
| 0005 | PVVR41555 | 00041555 | RING NUT L.DOP. MTM | 1,00 | | 08/03/2010 | -- |
| 0006 | LAFN41552 | 00041552 | PIPE D. 22 MTM | 1,00 | | | -- |
| 0007 | VTRS15958 | 00015958 | WASHER UNI 6592 5X15X1,5 ZB | 1,00 | | | -- |
| 0008 | VTVT17639 | 00017639 | SCREW TCEI M 5X10 UNI 5931 | 1,00 | | | -- |
| 0009 | MPVR41554 | 00041554 | KNOB D. 22 MTM | 1,00 | | | -- |