

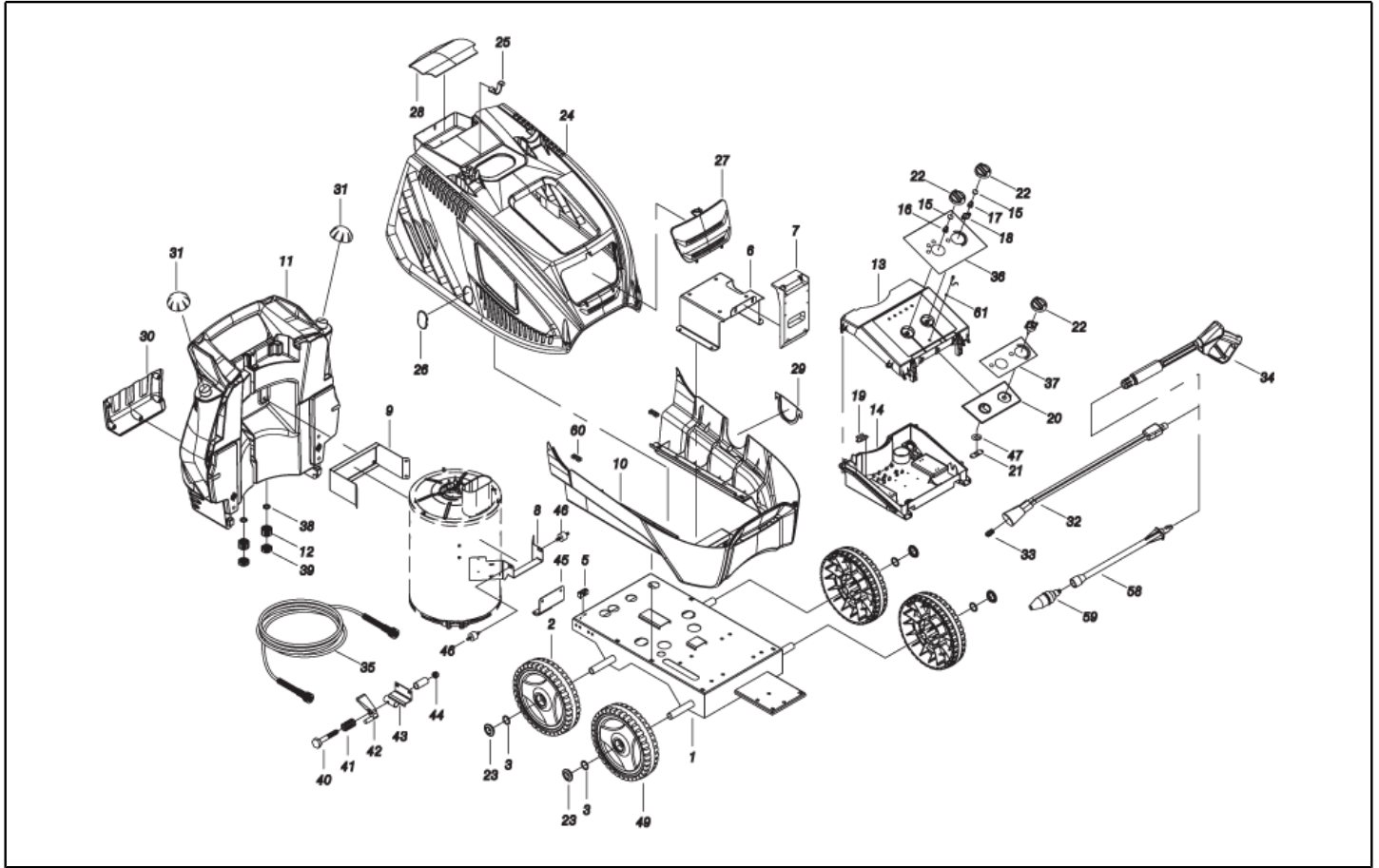


**IPC**

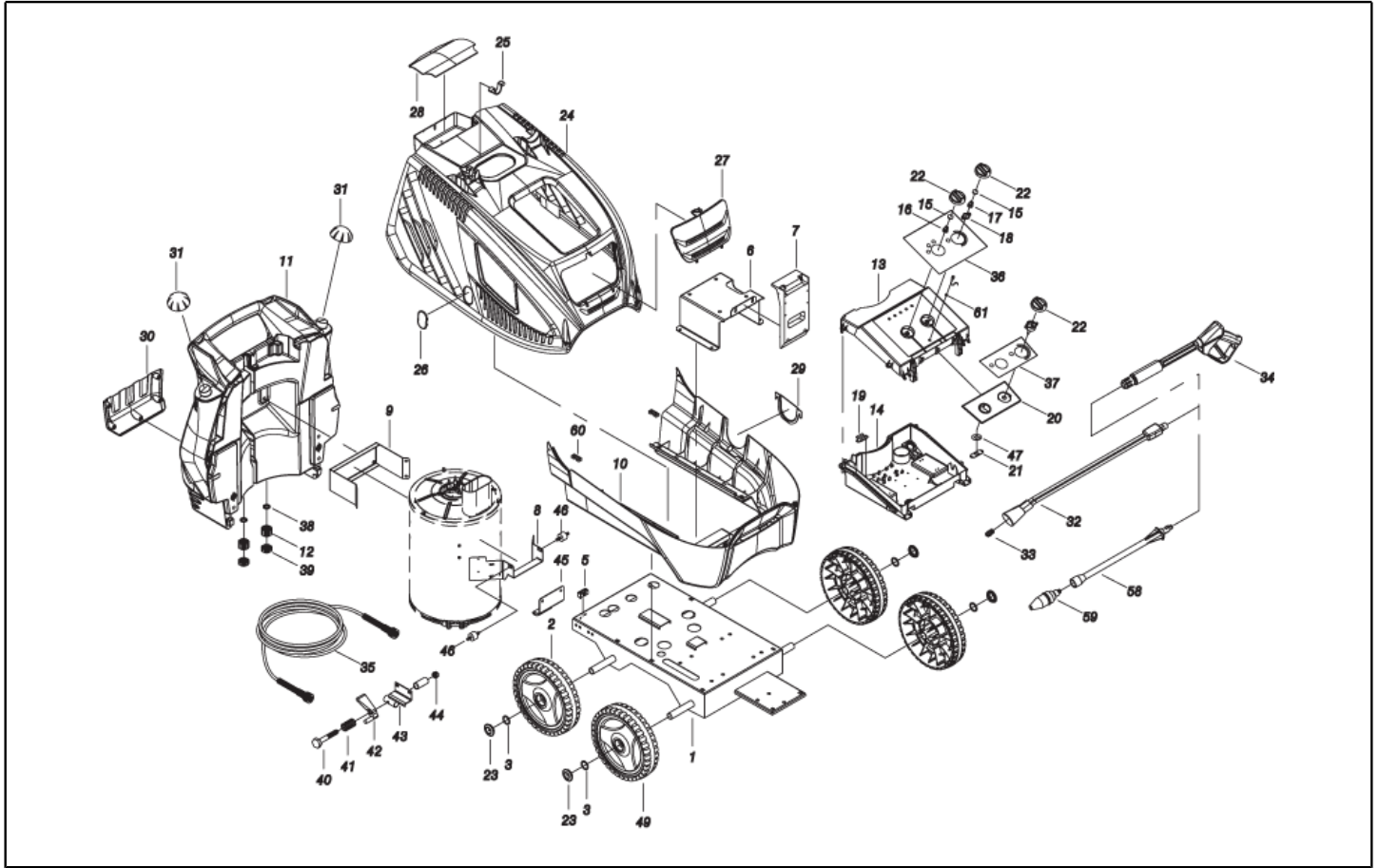
**Spare parts list**

Ref: IDAC40641

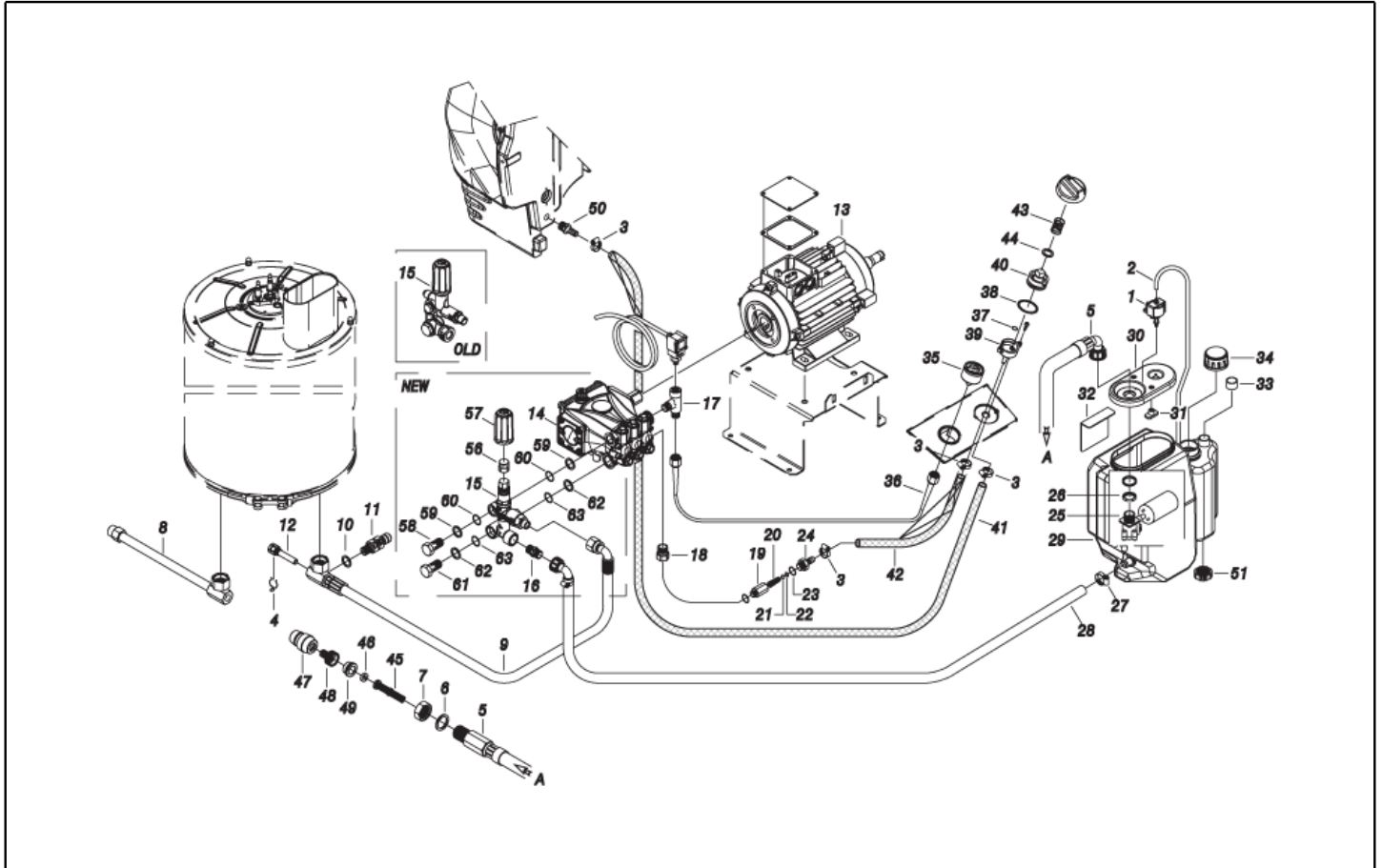
Model: H.P. CLEANER PW-H35/4S D1813PmT400/50I



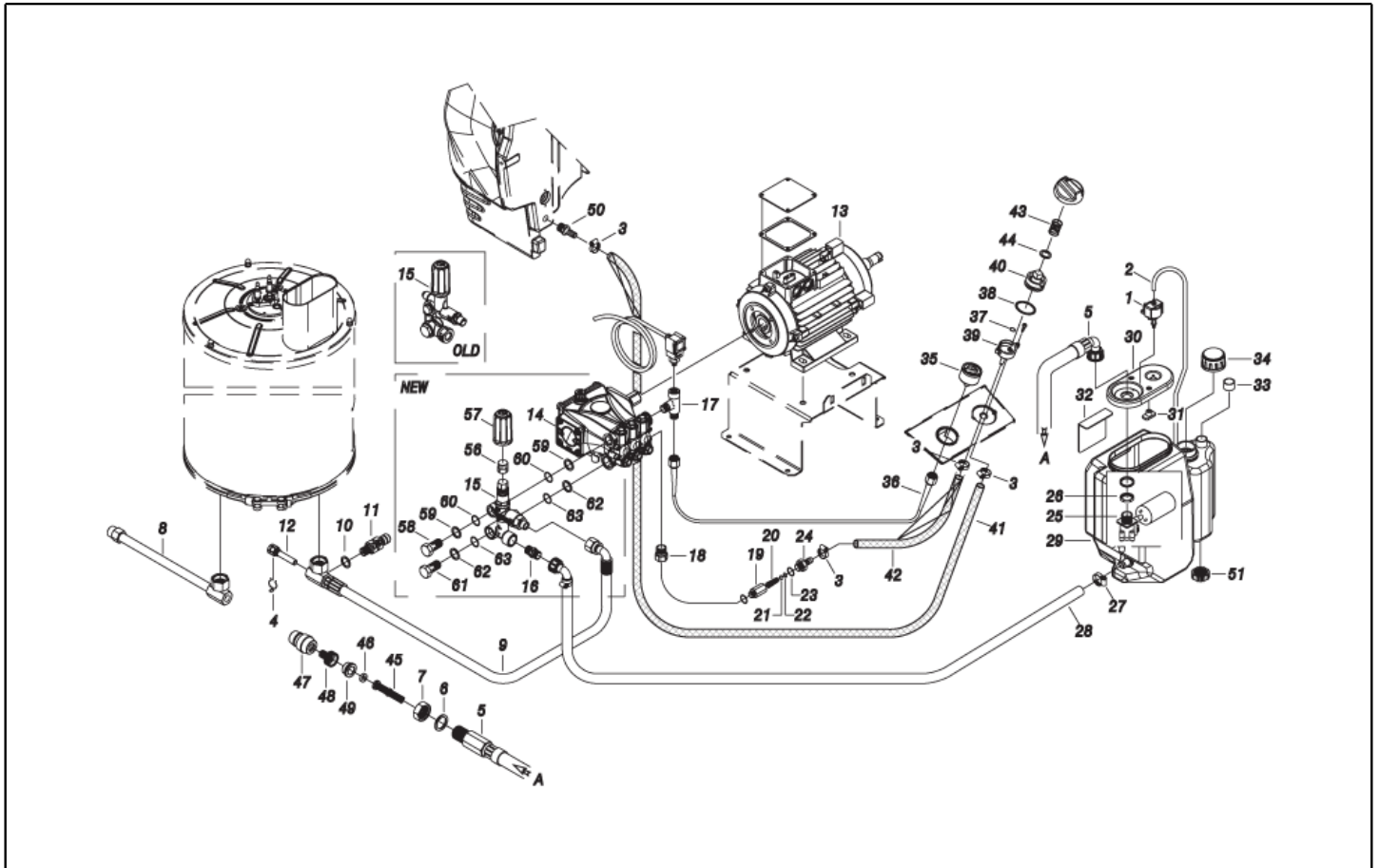
Ref. K	Part n.	Part n. 2	Description	Quantity	Validity		Price
					From	To	
0001	LAFN40559		CHASSIS PW-H35/4W BK.	1,00		30/09/2015	--
0001	LAFN40760		CHASSIS PW-H50/4W BK.	1,00	01/10/2015		--
0002	RTRT40045		WHEEL D.300-D.25 FLY-IPC BK/GRN	2,00	01/10/2015		--
0002	RTRT45383	00045383	WHEEL D.305-D.25 RT-IPC	2,00		30/09/2015	--
0003	VTRS09813	00009813	WASHER D.25	4,00			--
0005	MEVR20906	00020906	CABLE CLAMP KSM	1,00			--
0006	LAFN40614		MOTOR SUPPORT PW-H35 5.5Hp-PM ZC.	1,00			--
0007	MPVR33534	00033534	BOX SUPPORT MST PA 66	1,00			--
0008	LAFN40563		SUPPORT PW-H35 PM ZC.	1,00		30/06/2016	--
0008	LAFN40685		SUPPORT PW-H35/7.5 PS.ZC.	1,00	01/07/2016		--
0009	LAFN40571		BRACKET PW-H35 PM ZC	1,00		15/11/2015	--
0009	LAFN40835		BRACKET PW-H35 PM.2 ZC	1,00	16/11/2015		--
0010	MPVR40591		BLACK COVER PW-H35 INF.P/2P-PM PP	1,00			--
0011	MPVR40519		TANK PW-H35 PEHD BK.	1,00			--
0012	PVVR11806	00011806	DISCHARGE CAP FLL	2,00			--
0013	MPVR40540		BOX COVER PW-H35 ABS BK.	1,00			--
0014	MPVR40541		CONTROL BOX PW-H35 ABS BK.	1,00		09/04/2016	--
0014	MPVR40836		CONTROL BOX PW-H35 C/F.Fs.ABS BK.	1,00	10/04/2016		--
0015	GUGO25527	00025527	O-RING D. 14 X 3 NBR 70SH	2,00			--
0016	MPVR23482	00023482	SWITCH TANG TEC. TUV	1,00			--
0017	MPVR23484	00023484	TAIL PIECE THERM.KSM TUV	1,00			--
0018	MPVR41903	00041903	THICKNESS TERM.IM.PA66	1,00			--
0019	LAFN46067	00046067	SUPPORT L.60 P176	2,00			--
0020	MPVR40542		ANT. PANEL PW-H35 ABS BK.	1,00			--
0021	LAFN40561		JUNCTION BOARD PW-H35 ZC.	1,00		28/02/2017	--
0021	LAFN40922		JUNCTION BOARD PW-H35 D.14 ZC.	1,00	01/03/2017		--
0022	MPVR49057	00049057	BLACK KNOB P176-M.RACE PA6	3,00			--
0023	MPVR40537		HUB CAP D. 260 RT/H35 V.368C	2,00		30/09/2015	--
0023	MPVR40734		HUB CAP D.50 G-48/IPC GR.368C	4,00	01/10/2015		--
0023	MPVR40535		HUB CAP D. 305 RT/H35 V.368C	2,00		30/09/2015	--
0024	MPVR40525		GREEN COVER PW-H35 SUP.PP GR.368C	1,00			--
0024	F5VR62795		PLATE DI FISSAGGIO RPD0074	2,00			--
0025	MPVR40485		RUBBER PW-H35 15-20BK.	1,00			--
0025	MPVR40534		PIN PW-H35 PP BK.	2,00			--
0026	MPVR40539		DOOR PW-H35 PPL NT.	1,00			--
0027	MPVR40527		DOOR PW-H35 PPL GR.368C	1,00		31/12/2014	--
0027	MPVR40660		DOOR PW-H35 PPL BK.	1,00	01/01/2015		--
0028	MPVR40529		DOOR PW-H35 PPL V.368C PST	1,00		31/12/2014	--
0028	MPVR40661		DOOR PW-H35 PPL BK. PST	1,00	01/01/2015		--
0029	MPVR40532		DOOR PW-H35 PPL BK.INF.	1,00			--
0030	MPVR40533		TOOL HOLDER PW-H35 PP BK.	1,00			--
0031	MPVR40187		TANK CAP P215 PEHD C/F.	2,00			--
0032	LCPR12983	00012983	DOUBLE EXTENS. PD 70	1,00		09/11/2016	--
0032	LCPR89117		DOUBLE EXTENS. PD 70 M22 M -1/4F INX MV	1,00	10/11/2016		--



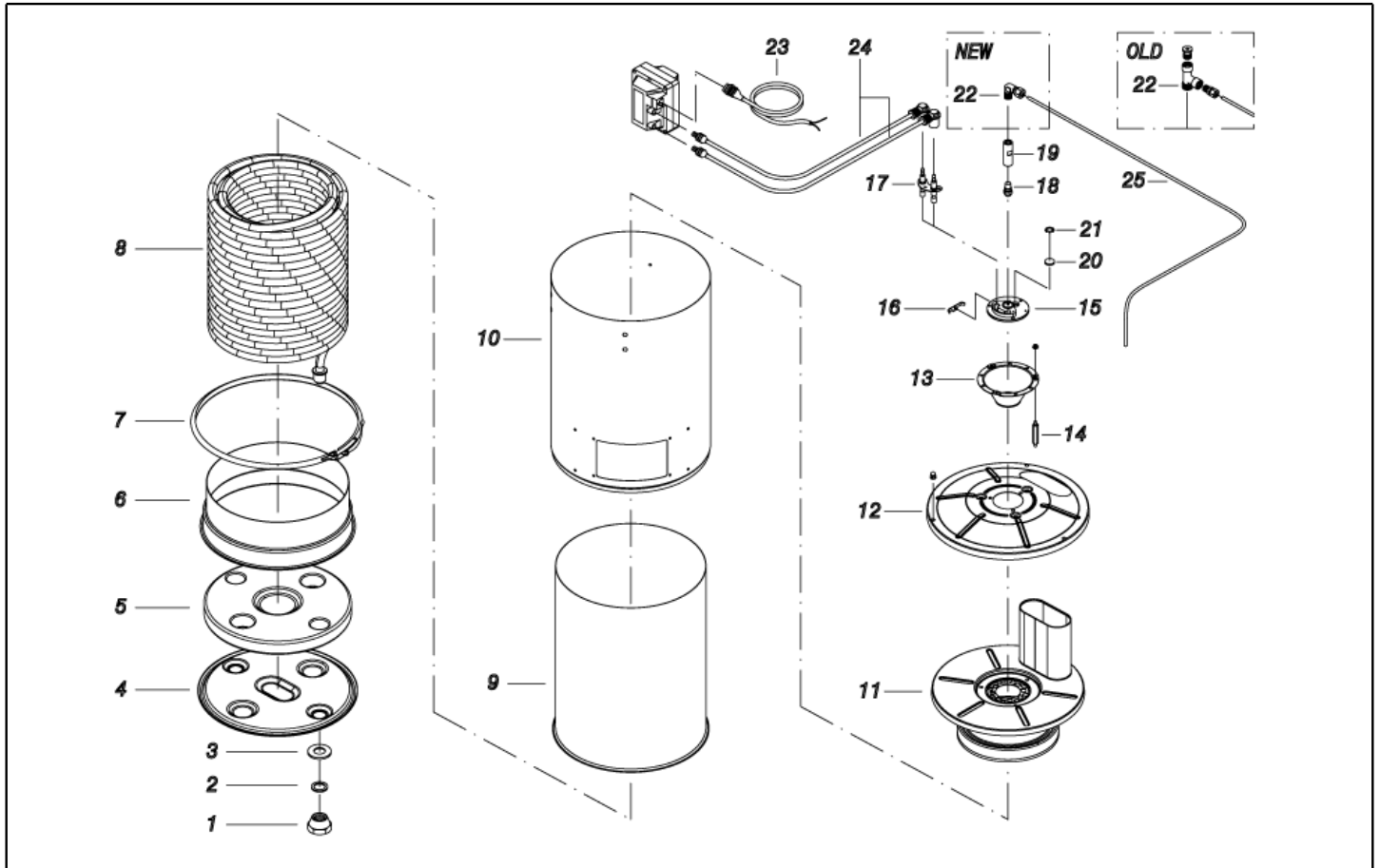
Ref. K	Part n.	Part n. 2	Description	Quantity	Validity		Price
					From	To	
0033	UGLN40000		NOZZLE LECH 1/4 15034	2,00			--
0034	IPPR40010		GRIP G 5100+P.330 +M22 SW.M V	1,00		29/02/2016	--
0034	IPPR40020		GRIP G 6000+P.330 +M22 SW.M V	1,00	01/03/2016	14/06/2018	--
0034	IPPR40025		GRIP G 6000+P.330 +M22 SW.M 2V	1,00	15/06/2018		--
0035	TBAP44379	00044379	H.P. HOSE R1 MT 20 5/16" C/2 IRV ZC	1,00			--
0036	ETET40555		LABEL PW-H35 ELETT.	1,00			--
0037	ETET40556		LABEL PW-H35 IDR.	1,00			--
0038	GUGO11489	00011489	GASKET D.22X1,5	2,00			--
0039	MPVR20187	00020187	RING NUT M 39 X 3	2,00			--
0040	VTVT14480	00014480	SCREW TE M 8X80 ZINC. UNI	1,00	01/10/2015		--
0041	MLML11917	00011917	SPRING D. 14.5 X24 X2.2	1,00	01/10/2015		--
0042	MPVR28178	00028178	CONTROL LEVER MTH PL.	1,00		30/09/2015	--
0042	MPVR40751		TRIGGER H28/4W	1,00	01/10/2015		--
0043	LAFN40560		BRACKET PW-H35/4W BK.	1,00		30/09/2015	--
0043	LAFN40762		BRACKET PW-H50/4W BK.	1,00	01/10/2015		--
0044	VTDD00492	00000492	NUT M 8 ZINC	1,00	01/10/2015		--
0045	LAFN40609		FOOT PW-H35/4W	1,00			--
0047	LAFN40921		PLATE PW-H35 D.14 ZC.	1,00	01/03/2017		--
0049	RTRT40005		WHEEL D.260-D.25 RT-HI	2,00		30/09/2015	--
0049	RTRT40043		WHEEL D.250-D.25X 65 RES BK/GRN	2,00	01/10/2015		--
0058	LCPR40103		EXTENSION P 70 - TURBO TPR255 040	1,00			--
0059	LCTE40014		HEAD TPR255 1/4F 040	1,00			--
0060	MPVR28554	00028554	CABLE FASTNER ELT	1,00	04/02/2015		--
0060	VTVT13234	00013234	SCREW TCB-TC 3.5X19 NIK	2,00	04/02/2015		--



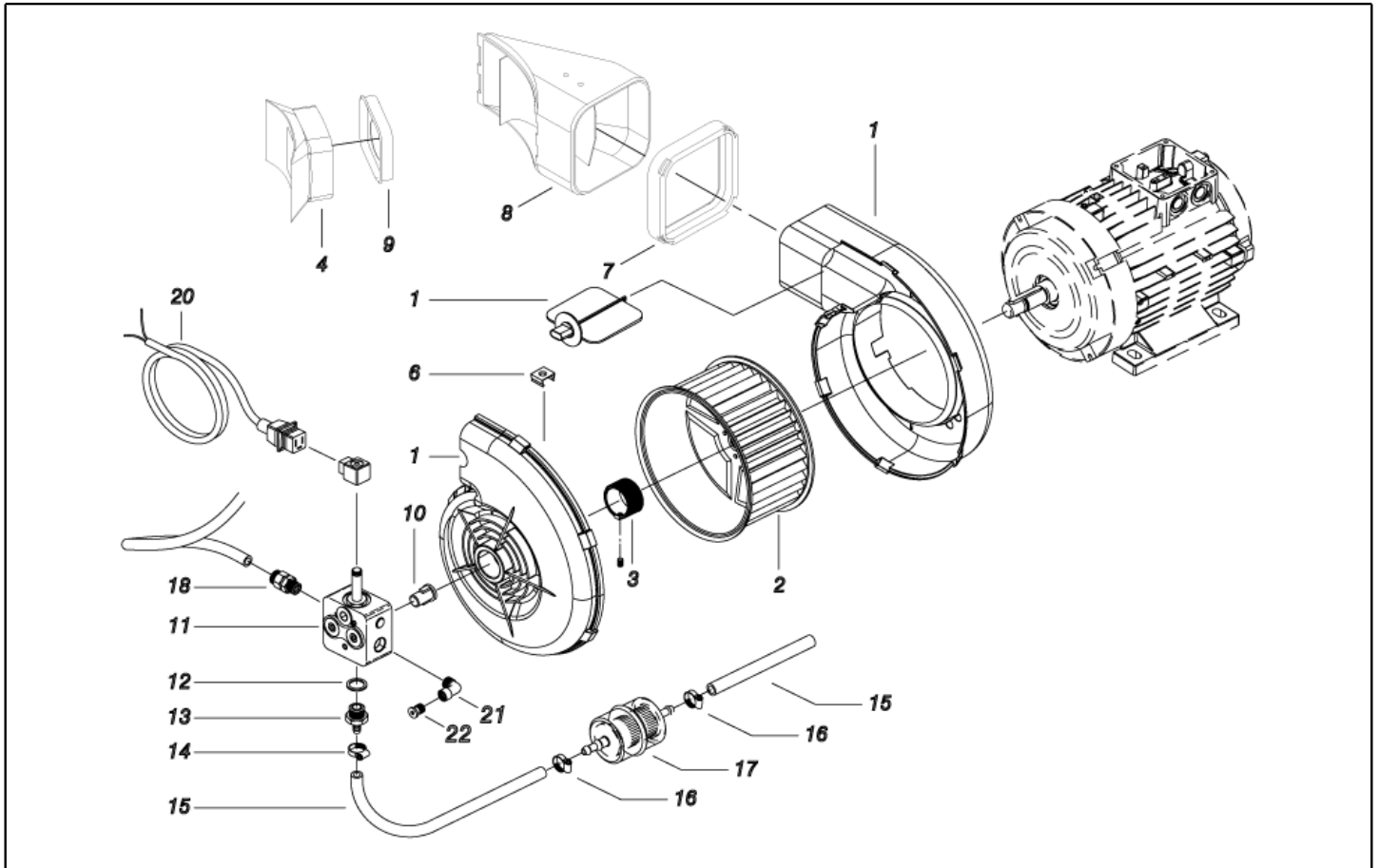
Ref. K	Part n.	Part n. 2	Description	Quantity	Validity		Price
					From	To	
0001	MEPD45940	00045940	DESCALING PUMP NME 1 24V 50/60HZ	1,00			--
0002	TBBP00058	00000058	L.P. HOSE D. 4- 7	0,60			--
0003	FSVR00427	00000427	CLAMP D. 12 CLIC 66-110	4,00			--
0004	MLML02623	00002623	SPRING IMT	1,00			--
0005	TBBP40064		L.P. HOSE L=1060 3/4F90°-1/2M 0°	1,00			--
0006	RCDS49875	00049875	RING NUT 1/2"X 6 CH.27 OT.	1,00			--
0007	VTRS00549	00000549	WASHER D.21,5X27X1.5 (1/2) RM	1,00			--
0008 S	RCDS21118	00021118	CONNECTOR KSM	1,00			--
0008 S	RCDS21119	00021119	NUT KSM	1,00			--
0008 S	RCDS40045		CONNECTOR G 3/8F -1/4 +M14X1 C.27	1,00			--
0008	RCDS40164		CONNECTOR L=285 2X3/8M CN. ZC.	1,00			--
0008 S	RCIN03753	00003753	MALE COUPLING M22-3/8 M-FA	1,00			--
0009	TBAP40115		HOSE-FITTING 3/ 8 R1 L=685 3/8F90-PM26	1,00			--
0010	VTRS40960	00040960	WASHER D.13.5X19 X4 AL.	1,00			--
0011	VVSC47427	00047427	VALVE MG 1000 G1/4M-M D.8 250B	1,00			--
0012	RCDS00593	00000593	SUMP IM 0-120 L=50	1,00			--
0013	MOTR40043		3PH MOTOR H35 HP 5.5 400-50 2P ED	1,00			--
0014	PPAP40100		PUMP RCS 11.17 DX ND	1,00			--
0015	VVAZ40061		VALVE AR M.MATIC 4/B-RC+TS SI.3	1,00		31/03/2014	--
0015	VVAZ40066		VALVE VRZ-RC +TSS L.90 SI	1,00	01/04/2014	29/02/2016	--
0015	VVAZ40079		VALVE VRF-2 AR-R PPr S/I.	1,00	01/03/2016		--
0016	RCDS87610	00087610	NIPPLE 3/4 - 1/2 CB D.13.0	1,00			--
0017	RCDS40177		CONNECTOR T 3/8M - 1/4 M/F OT. CN.	1,00	01/09/2013		--
0017	RCDS40589	00040589	CONNECTOR T 3/8M - 1/4 M/F OT.	1,00		31/08/2013	--
0018	RCVR02606	00002606	REDUCTION 1/2-1/4 M/F	1,00			--
0019	RCDS46072	00046072	VALVE BODY N/R 1/4F-1/4 P176 OT	1,00			--
0020	MLML21505	00021505	SPRING D. 8 X5 X0.3	1,00			--
0021	SFVR04274	00004274	BALL D. 7/32	1,00			--
0022	GUGO01055	00001055	O-RING D. 5.28 X 1.78 VIT 70SH	1,00			--
0023	GUGO01036	00001036	O-RING D. 10.82 X 1.78 NBR 70SH	1,00			--
0024	RCDS10546	00010546	VALVE SEAT 1/4M + PG. D.3-7.5 OTT	1,00			--
0025	RCGR89343		FLOATER MTM 3/4 PP. S/F. +ADP.245	1,00			--
0026	RCVR49974	00049974	RING NUT 3/4" X 4 NIK	1,00	29/05/2014		--
0027	FSVR00431	00000431	CLAMP D. 16-25	1,00			--
0028	TBBP40063		L.P. HOSE L=330 3/4F 90° -LIB.	1,00			--
0029	MPVR40517		WATER TANK P190-35 PEHD BK.	1,00			--
0030	MPVR40516		TANK COVER P190-35 PA6 BL.	1,00			--
0031	MPVR89078		PLATE P190 PA6 BL.	2,00			--
0032	LAFN89079		PANEL P190 INX	1,00			--
0033	MPVR18582	00018582	CAP D.22	1,00			--
0034	MPVR20907	00020907	TANK CAP KSM	1,00			--
0035	MNMN18650	00018650	PRESSURE GAUGE 0-300 D.40	1,00			--
0036	TBAP40113		POLYAMIDE HOSE L=420 1/4F GR.-1/8F MN.	1,00			--
0037	GUGO08071	00008071	O-RING D. 4.48 X 1.78 NBR 70SH	1,00	01/01/2017		--



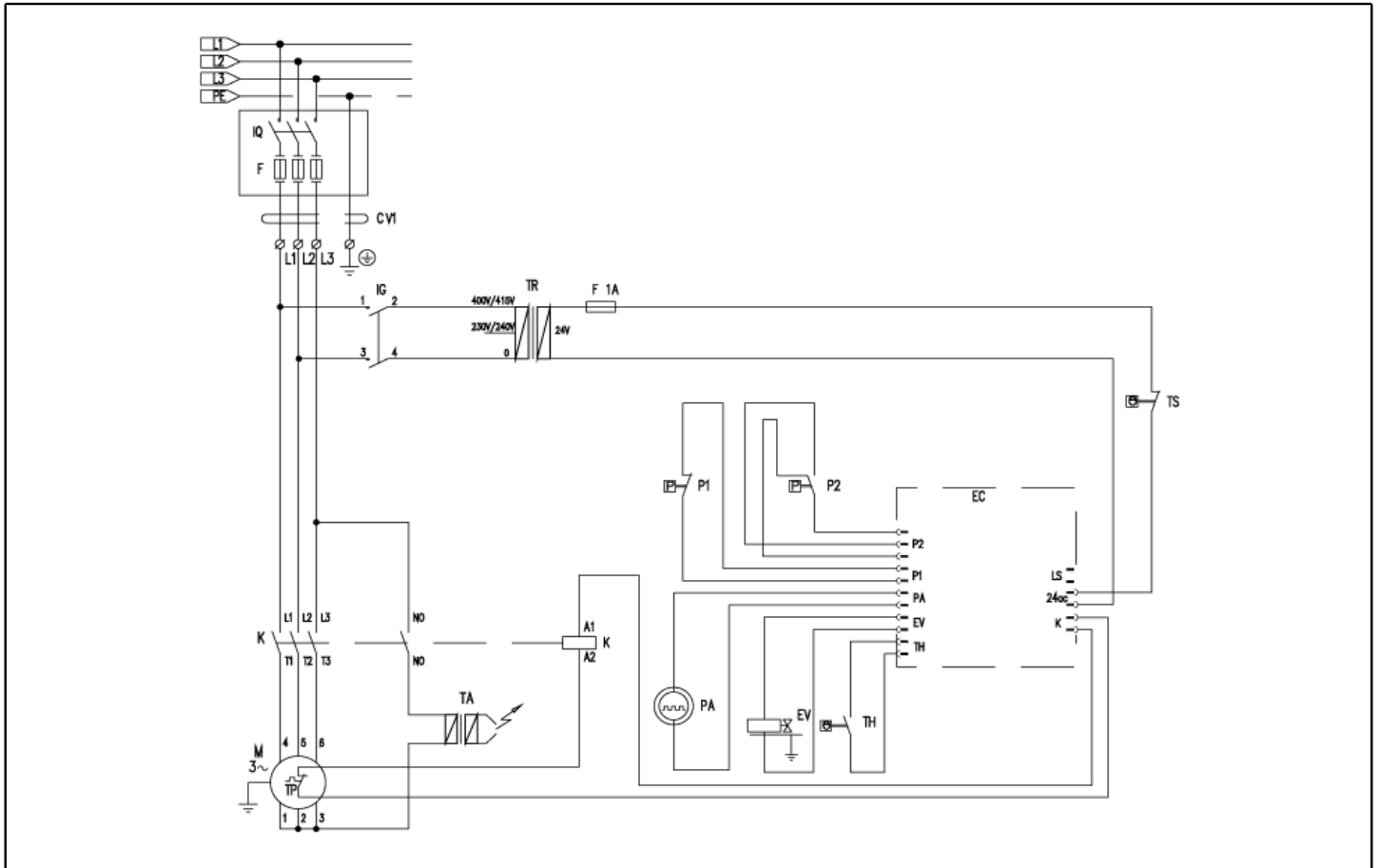
Ref. K	Part n.	Part n. 2	Description	Quantity	Validity		Price
					From	To	
0038	GUGO12183	00012183	O-RING D. 23.4 X 3.53 VIT 70SH	1,00	01/01/2017	--	--
0039	RCGR08069	00008069	TAP BODY DET. PRT	1,00	01/01/2017	--	--
0040	RCGR08070	00008070	ADJUSTER PRT	1,00	01/01/2017	--	--
0041	TBBP00051	00000051	DETERGENT HOSE D. 6-12	1,20	01/01/2017	--	--
0042	TBBP00051	00000051	DETERGENT HOSE D. 6-12	0,77	01/01/2017	--	--
0042	TBBP00051	00000051	DETERGENT HOSE D. 6-12	0,60		31/12/2016	--
0043	MLML08068	00008068	SPRING D.1,5 L.23	1,00		--	--
0044	VTRS00542	00000542	WASHER D.14X20	1,00		--	--
0045	FTAC30214	00030214	FILTER D.15X67	1,00		--	--
0046	GUGO37736	00037736	GASKET D. 10- 19 X 5 70SH	1,00		--	--
0047	RCVR29600	00029600	SOCKET PTC 3/4 F	1,00		--	--
0048	RCVR29602	00029602	CONNECTOR D. 1/2"-5/8" PTC	1,00		--	--
0049	RCVR37806	00037806	REDUCTION PTC 3/4-1/2 M/F	1,00		--	--
0050	RCVR40113		HOSE FITTING 1/8 M D. 5- 7 NIK	2,00		--	--
0051	MPVR20187	00020187	RING NUT M 39 X 3	1,00		--	--
0056	PVVR40273		ADAPTER VRF-2 RG.	1,00	01/03/2016	--	--
0057	MPVR40589		BLACK KNOB ST 260 IPC	1,00	01/03/2016	--	--
0058	RCDS40172		SCREW 3/8 VRF-2 OT 4F.	1,00	01/03/2016	--	--
0059	VTRS00548	00000548	WASHER D.17,5X23X1,5 (3/8)RM	2,00	01/03/2016	--	--
0060	GUGO03510	00003510	O-RING D. 12.37 X 2.62 NBR 70SH	2,00	01/03/2016	--	--
0061	RCDS40171		SCREW G 1/2 VRF-2 OT. 2F.	1,00	01/03/2016	--	--
0062	VTRS00549	00000549	WASHER D.21,5X27X1,5 (1/2) RM	1,00	01/03/2016	--	--
0063	GUGO01048	00001048	O-RING D. 15.88 X 2.62 NBR 70SH	2,00	01/03/2016	--	--



Ref. K	Part n.	Part n. 2	Description	Quantity	Validity		Price
					From	To	
0001	RCDS21120	00021120	RING NUT M 26 X 1,5	2,00			--
0002	GUGO21222	00021222	O-RING D. 15.54 X 2.62 VIT 80SH	2,00			--
0003	GUVR21021	00021021	ANTI-EXTR.RING D. 21 X17 TEF.	2,00			--
0004	LAFN44149	00044149	BOILER BOTTOM P176	1,00			--
0005	ITTE44175	00044175	BOTTOM P176 C.TE	1,00			--
0006	LAFN44151	00044151	BAND P176 INX	1,00			--
0007	LAFN40037		RING D.342 P176 ZN 2V.CPL.	1,00			--
0008	LAGR44156	00044156	DOUBLE COIL M26X1.5 P176 24MT GRZ	1,00			--
0009	LASL40101		INT. CYLINDER PM INX	1,00			--
0010	LAFN40581		EXT. CYLINDER PM-H35 INX	1,00			--
0011	LAFN40269		BOILER COVER SI PM INX	1,00			--
0012	LAFN40270		BOILER COVER SE PM INX	1,00			--
0013	LAFN44244	00044244	BAFFLE P176 30M INX	1,00			--
0014	LAFN40271		PIN CH.10 X 67.7 M5M/M5M PM	3,00			--
0015	MFVR18226	00018226	ELECTR.HOLDER FUT 3°V	1,00			--
0016	LAFN07641	00007641	PLATE INX	1,00			--
0017	MECA12525	00012525	ELECTRODE FUT	1,00			--
0018	UGBR22575	00022575	BURNER NOZZLE DANF. 1.00 60 S	1,00			--
0019	RCDS07642	00007642	NOZZLE HOLDER FUT	1,00			--
0020	MPVR18228	00018228	OIL WARN-LIGHT D.17 X3	1,00			--
0021	VTAE22633	00022633	SEEGER 0.4 X18,30X10,5	1,00			--
0022	RCVR08954	00008954	ELBOW 1/8"-4 B5	1,00	01/03/2015		--
0022	RCVR40126		BI-CONE CONNec. T 1/8" M/F D. 4/ 6C NK.	1,00	01/11/2013	28/02/2015	--
0022	RCVR89230		CAP G 1/8 M C/O-RING.	1,00		28/02/2015	--
0023	MECB34463	00034463	CABLE BT L=800 SP. FD	1,00			--
0024	MECV35335	00035335	CABLE A.T. 9,8-23KOHM/M L= 500P	2,00	06/11/2013		--
0025	TBCO46140	00046140	DIESEL HOSE P176 30MT D. 4	1,00		19/07/2014	--
0025	TBCO40041		DIESEL HOSE P176 30MT D. 4 IX	1,00	20/07/2014	20/02/2015	--
0025	TBCO40058		DIESEL HOSE PW-H35/6-4P D. 4 IX	1,00	21/02/2015	31/03/2015	--
0025	TBCO40062		DIESEL HOSE PW-H35/5.5-PM D. 4 IX	1,00	01/04/2015		--

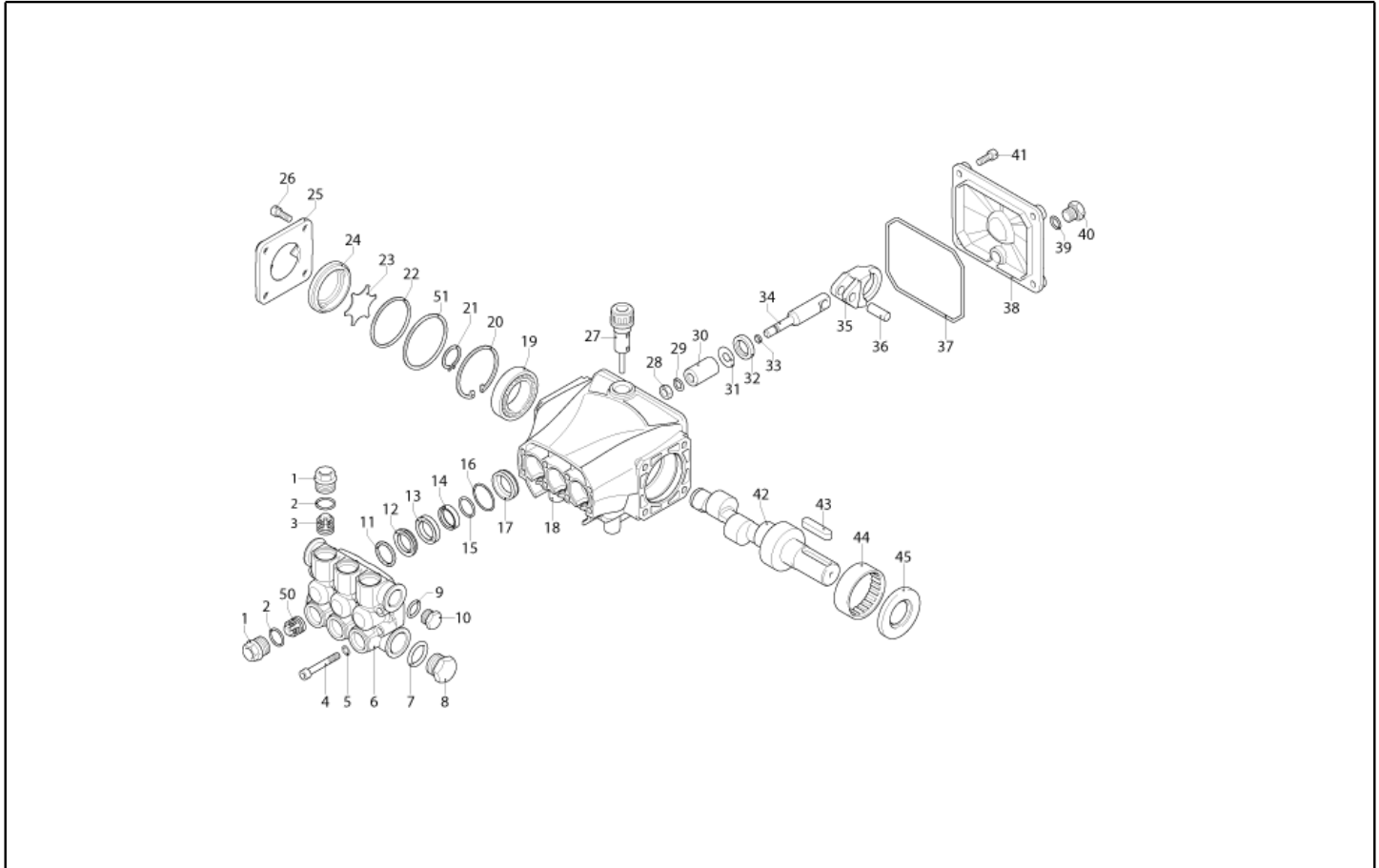


Ref. K	Part n.	Part n. 2	Description	Quantity	Validity		Price
					From	To	
0001	MPVR26987	00026987	SCROLL KSM CPL.	1,00			--
0002	VEVR20128	00020128	IMPELLER KSM D.140 29P. PA66	1,00			--
0003	LAFN21890	00021890	BUSHING D. 25	1,00			--
0003	RCDS20417	00020417	BUSHING KSM	1,00			--
0004	MPVR88426		CONVEYOR P176 PA6 BK.	1,00			--
0006	VTVR20127	00020127	CLIP KSM	1,00			--
0006	VTVR20127	00020127	CLIP KSM	5,00			--
0007	GUGO20124	00020124	GASKET KSM	1,00			--
0008	MPVR40199		CONVEYOR KSM-P176 PA6	1,00			--
0009	GUGO88425		GASKET P245 EPDM	1,00			--
0010	FGGT49223	00049223	JOINT KSM/P190 2V. PP	1,00			--
0011	PPGS40011		FUEL PUMP DNF BFA 01R3L1	1,00			--
0012	VTRS04931	00004931	WASHER COPPER D.13X19X1.5	1,00			--
0013	RCDS00626	00000626	HOSE FITTING 1/4 M D. 5- 7	1,00			--
0014	FSVR11197	00011197	CLAMP D.12.9-13.6	2,00			--
0015	TBCO06945	00006945	L.P. HOSE D. 6-12 10BAR C.PRESS	0,32			--
0015	TBCO06945	00006945	L.P. HOSE D. 6-12 10BAR C.PRESS	0,17			--
0016	FSVR00427	00000427	CLAMP D. 12 CLIC 66-110	2,00	01/01/2017		--
0017	FTCO10912	00010912	FILTER FB 13/T NYL.	1,00			--
0018	RCVR14014	00014014	BI-CONE CONNEX. DTT 1/8"M B1 D. 2/ 4 NIK	1,00			--
0020	MECB43707	00043707	CABLE DNF L=1300	1,00	01/02/2018		--
0020	MECB46130	00046130	CABLE DLT L=1100	1,00		31/01/2018	--

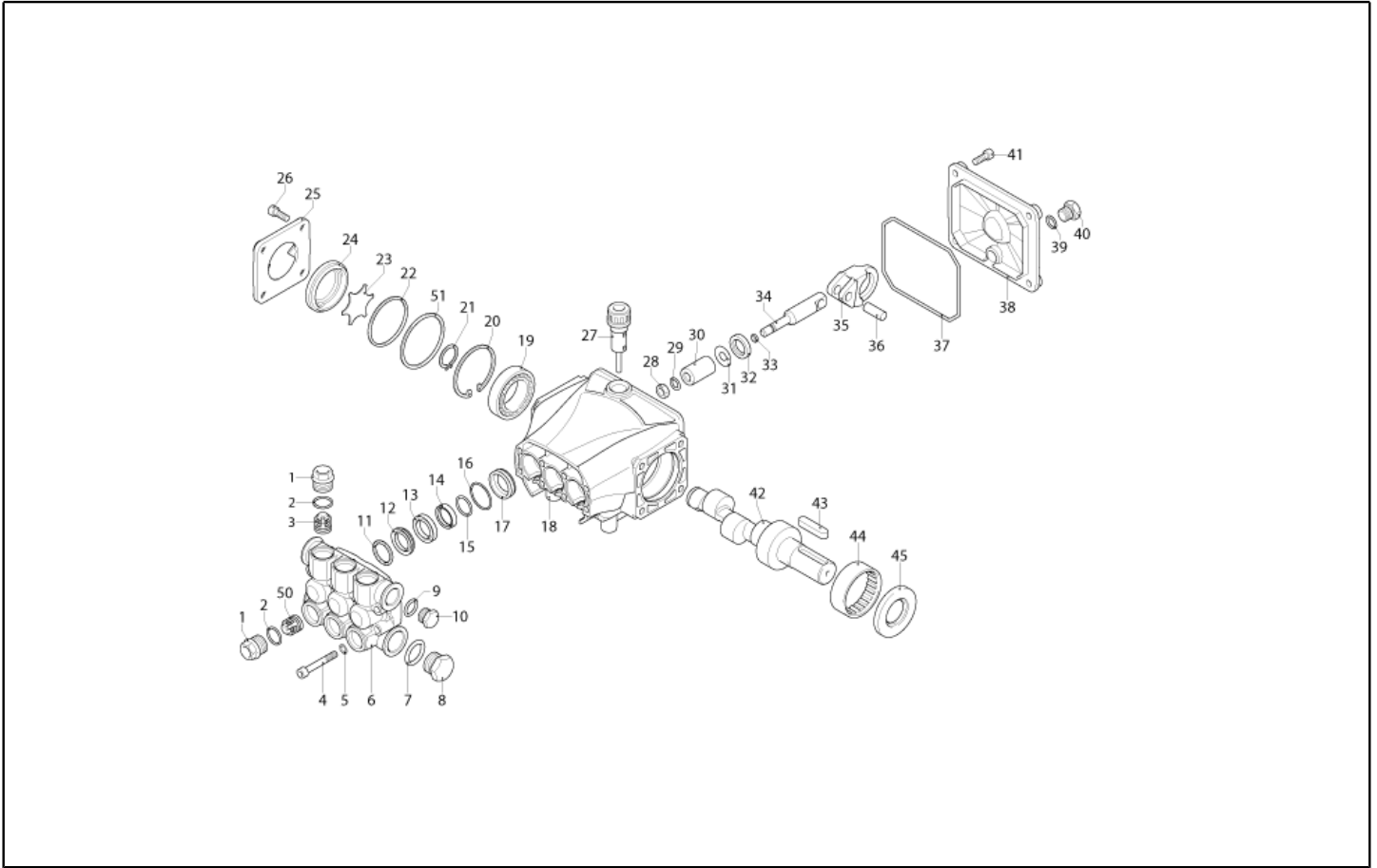


Ref. K	Part n.	Part n. 2	Description	Quantity	Validity		Price
					From	To	
K	METT40008		CONTACTOR SIE 3RT 2016-1AB01 24V	1,00	01/10/2014		--
K	METT43990	00043990	CONTACTOR SIE 3RT 1017 1AB01 5/60HZ	1,00		30/09/2014	--
P	MEPF76254	00076254	PRESSURE SWITCH PR 5 1/4M 25BAR	1,00			--
EC	MECE40022		PCB PW-H35 TSI+CO+VRT 3.0	1,00		29/02/2016	--
EC	MECE40024		PCB PW-H35 TSI+CO+VRT MST-H	1,00	01/03/2016		--
EV	MEBE43704	00043704	COIL DNF 24-50	1,00			--
IG	MECI40020		SWITCH BRM BP. 0-1 12A	1,00			--
P1	MEPF40014		PRESSURE SWITCH PR 5 1/8M 25BAR RD.	1,00	01/03/2016		--
TA	METR88630		TRANSFORMER 23/240V-5/60HZ 2X26KV TR.	1,00			--
TH	METK40011		THERMOSTAT 0-150° L=1500 F&C	1,00			--
TR	METR40012		TRANSFORMER 25VA 230-400/24 5/60HZ FS	1,00			--
TS	METK40007		THERMOSTAT 65°C NSP-040 PT RIPR.	1,00			--
CV1	MECB40002		CABLE H07 RNF 4X1.5 L=6.500	1,00			--

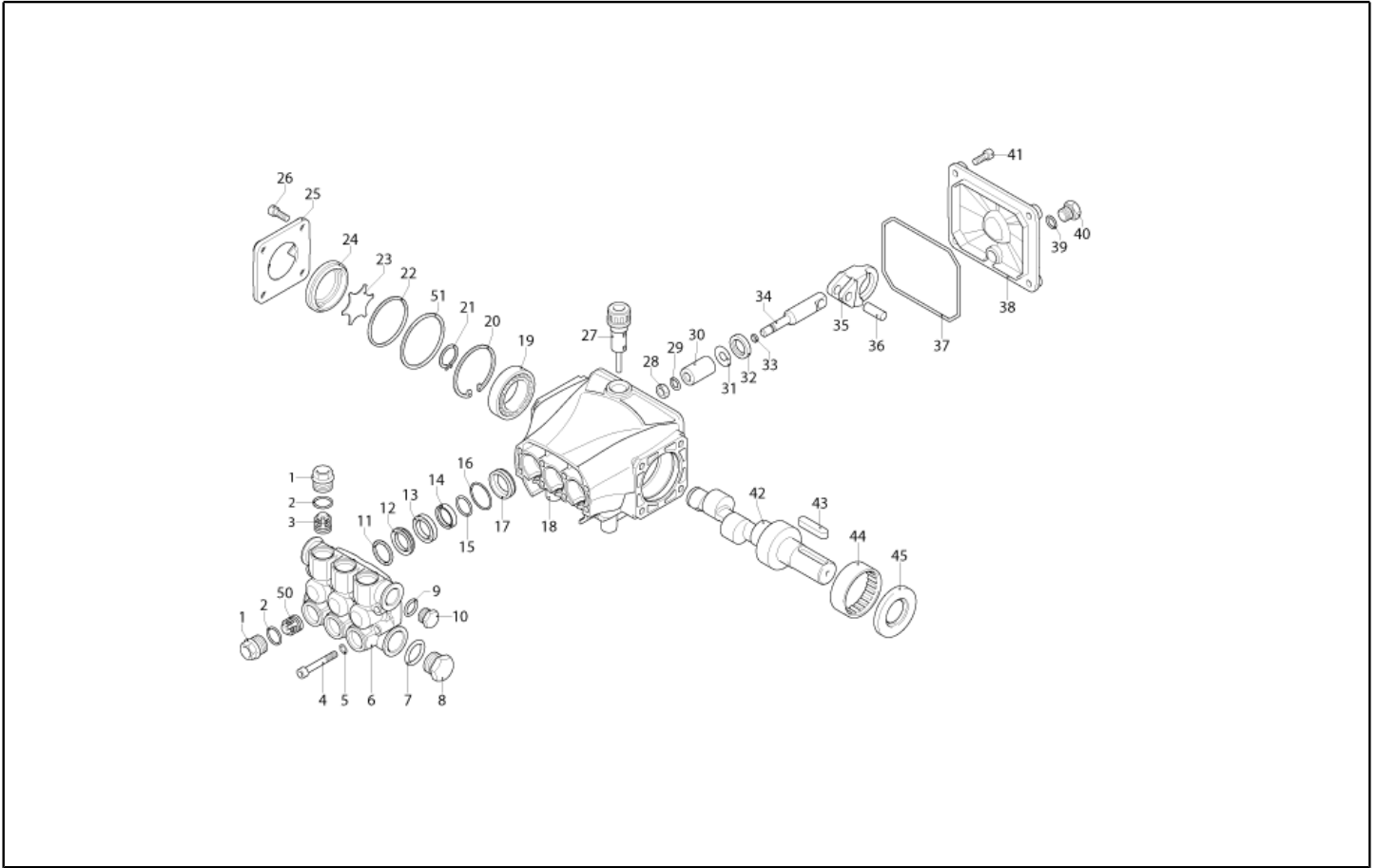




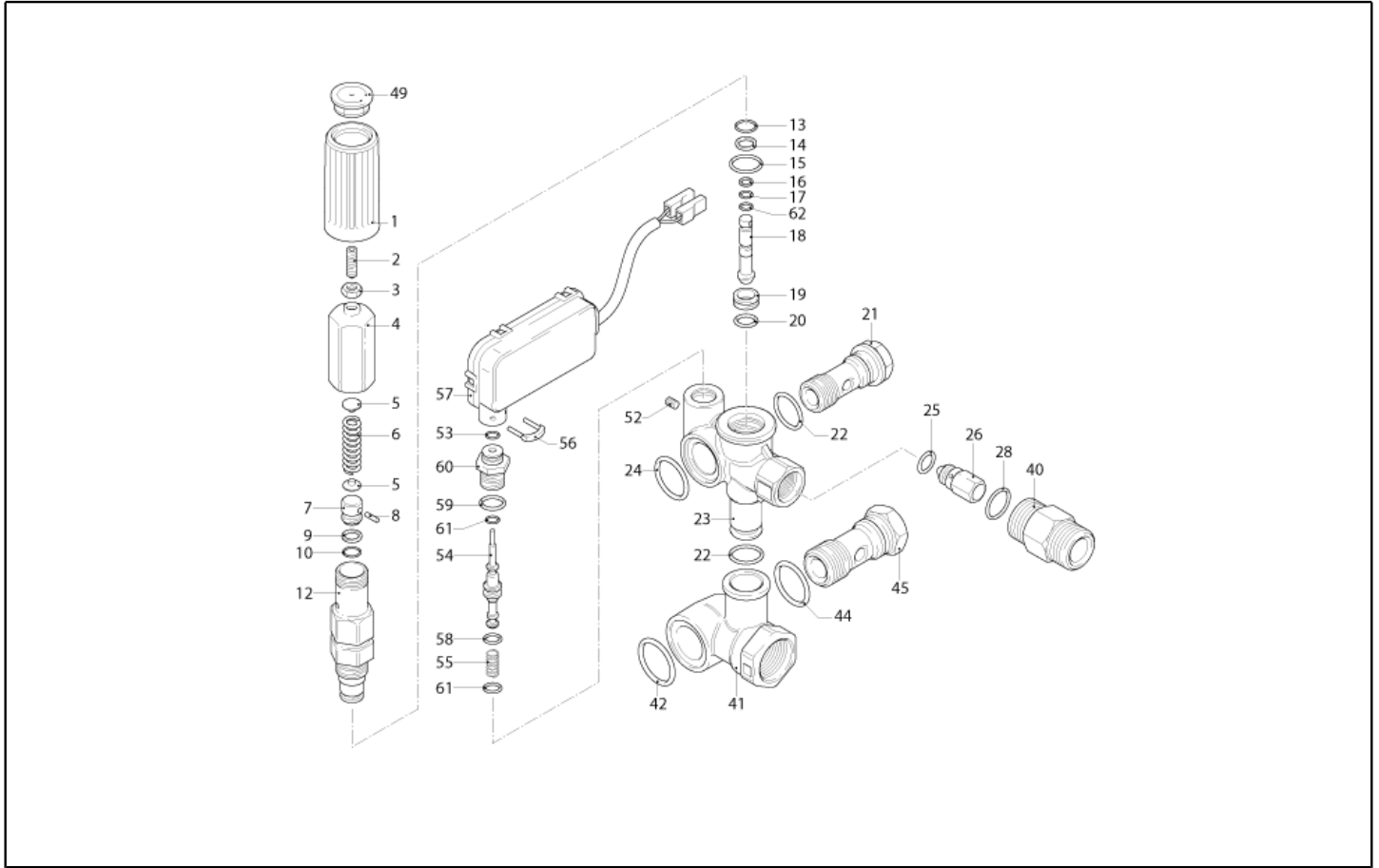
Ref. K	Part n.	Part n. 2	Description	Quantity	Validity		Price
					From	To	
0001	PVVR40120		CAP AR RC	6,00			--
0002	GUGO03505	00003505	O-RING D. 15.6 X 1.78 NBR 70SH	6,00			--
0003	S VVAM40002		VALVE UNIT RC	3,00			--
0004	VTVT06236	00006236	SCREW TCCE UNI 5931 6X40 ZB	8,00			--
0005	VTRS01077	00001077	WASHER D. 6,4X10X0,7	8,00			--
0006	MFVR40026		HEAD AR RCS OT.	1,00			--
0007	GUGO19245	00019245	O-RING D. 17.5 X 2 NBR 70SH	1,00			--
0008	PVVR40121		CAP 1/2 M RC	1,00			--
0009	GUGO09720	00009720	O-RING D. 14 X 1.78 NBR 70SH	1,00			--
0010	PVVR40099		CAP 3/8 M HRM	1,00			--
0011	S PVVR40158		HEAD RING D. 15 RCS	3,00			--
0012	S GUVR40028		PACKING D. 15 XJS	3,00			--
0013	PVVR40159		INTERMED. RING D. 15 RCS	3,00			--
0014	S GUVR40041		PACKING D. 15 RCS L.P.	3,00			--
0015	S GUVR40042		ANTI-EXTR.RING D.15	3,00			--
0016	S GUGO08182	00008182	O-RING D. 21.91 X 1.78 NBR 70SH	3,00			--
0017	PVVR40160		PACKING RETAIN. D. 15 RCS	3,00			--
0018	MFVR40027		PUMP CRANKCASE AR RCS	1,00			--
0019	CUVR28336	00028336	BALL BEARING 6304	1,00			--
0020	VTAE09661	00009661	CIRCLIP D. 52 UNI 7437	1,00			--
0021	VTAE06193	00006193	CIRCLIP D. 20 UNI 7435	1,00			--
0022	GUGO02561	00002561	O-RING D. 47.3 X 2.62 NBR 70SH	1,00			--
0023	PVVR40125		DISC RC	1,00			--
0024	PVVR40126		OIL INDICATOR RC	1,00			--
0025	MFVR40021		CRANKCASE COVER AR RC LT.	1,00			--
0026	VTVT01531	00001531	SCREW TE 6X 16 UNI 5739	4,00			--
0027	PVVR19231	00019231	OIL CAP XTS	1,00		31/03/2014	--
0027	PVVR40436		OIL CAP RC	1,00	01/04/2014		--
0028	VTDD00483	00000483	NUT M 8 ZIN UNI 5588	3,00			--
0029	VTRS19394	00019394	WASHER D. 8X13X0,5	3,00			--
0030	S PIVR19232	00019232	PISTON D. 15 XTS	3,00			--
0031	PVVR19233	00019233	DISC XTS	3,00			--
0032	S GUGO09690	00009690	OIL SEAL 15X 24X 5 NBR70	3,00			--
0033	GUGO08071	00008071	O-RING D. 4.48 X 1.78 NBR 70SH	3,00			--
0034	PVVR40127		PISTON GUIDE RC	3,00			--
0035	BLVR40001		CONNECTING ROD RC	3,00			--
0036	PVVR40128		GUDGEON D. 9X23 RC	3,00			--
0037	GUGO18695	00018695	O-RING D. 101.27 X 2.62 NBR 70SH	1,00			--
0038	MFVR40022		CRANKCASE COVER AR RC	1,00			--
0039	GUGO01036	00001036	O-RING D. 10.82 X 1.78 NBR 70SH	1,00			--
0040	PVVR40129		CAP 1/4 M RC	1,00			--
0041	VTVT09913	00009913	SCREW TCEI 6X16 UNI5931	4,00			--
0042	ALMO40036		SHAFT AR RCS 11LT VRS. ND	1,00			--
0043	VTVR41531	00041531	KEY 8X 7X35 UNI 6604A	1,00			--



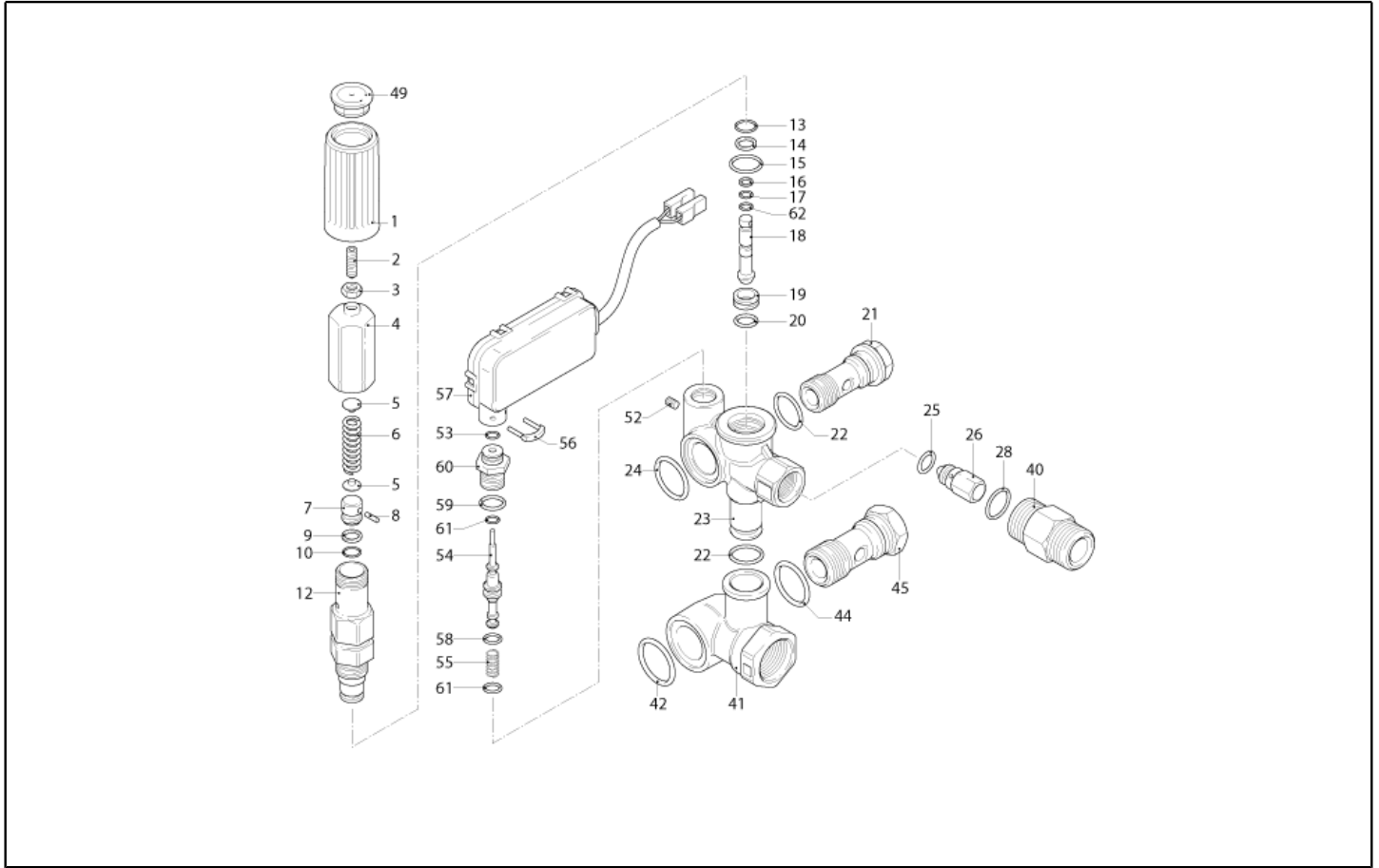
Ref. K	Part n.	Part n. 2	Description	Quantity	Validity		Price
					From	To	
0044	CUVR23636	00023636	ROLLER BEARING HK 4516	1,00			--
0045	S GUGO00999	00000999	OIL SEAL 25X 52X 7 NBR70	1,00			--
0050	S VVAM40007		VALVE UNIT RC ASP. BK	3,00			--
0051	PVVR40437		RING D. 51.8 X0.5	1,00	01/04/2014		--



Ref. Part n.	Cust. part n.	Description	Reference	Price
KTRI40096		KIT P 15-42918 RC	0032 0045	--
KTRI40139		KIT P 15-42920 D.15 RCS	0030	--
KTRI40140		KIT P 15-42921 D.15 RCS	0012 0014 0015 0016	--
KTRI40141		KIT P 15-2191 D.15 RCS	0011	--
KTRI40207		KIT P 15-42914 RC 3+3 BL./WH.	0003 0050	--



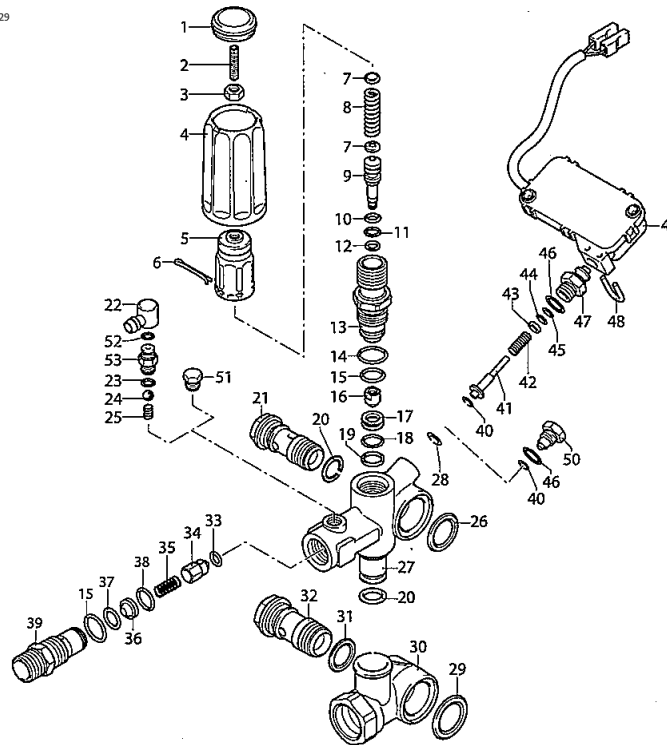
Ref. K	Part n.	Part n. 2	Description	Quantity	Validity		Price
					From	To	
0001	MPVR40162		KNOB AR XJS	1,00			--
0002	VTVT19524	00019524	SCREW EI-ST 6X16 UNI 5923	1,00			--
0003	VTDD00482	00000482	NUT M 6 ZIN UNI 5588	1,00			--
0004	PVVR40066		REGISTER AR XJS	1,00			--
0005	PVVR40067		SPRING PLATE AR XJS	2,00			--
0006	MLML40007		SPRING D. 10.8X48.9 D.2.8 XJS	1,00			--
0007	S PVVR40068		SMALL PISTON AR XJS SP.	1,00			--
0008	S VTVR19193	00019193	PLUG D. 2.5X10	1,00			--
0009	S GUVR40026		ANTI-EXTR.RING D. 8	1,00			--
0010	S GUGO40179	00040179	O-RING D. 8 X 2 NBR 70SH	1,00			--
0012	S PVVR40385		PISTON GUIDE AR XJS 2V.	1,00			--
0013	S GUGO09720	00009720	O-RING D. 14 X 1.78 NBR 70SH	1,00			--
0014	S GUGO12490	00012490	O-RING D. 8.74 X 1.78 NBR 70SH	1,00			--
0015	S GUGO02259	00002259	O-RING D. 15.54 X 2.62 NBR 70SH	1,00			--
0016	S GUVR40027		ANTI-EXTR.RING D. 3.7	1,00			--
0017	S GUGO19189	00019189	O-RING D. 2.90 X 1.78 NBR 70SH	4,00			--
0018	S PVVR40070		CONTROL PISTON AR XJS IF.	1,00			--
0019	S PVVR40071		VALVE SEAT AR XJS	1,00			--
0020	S GUGO41692	00041692	O-RING D. 9 X 1 NBR 70SH	1,00			--
0021	RCDS40068		SCREW G 3/8 M.MATIC 4/B OT.	1,00			--
0022	GUGO01047	00001047	O-RING D. 11.91 X 2.62 NBR 70SH	2,00			--
0023	PVVR40134		VALVE BODY M.MATIC 4/B TSS	1,00			--
0024	GUGO19395	00019395	O-RING D. 20.24 X 2.62 NBR 70SH	1,00			--
0025	S GUGO12494	00012494	O-RING D. 4 X 2.5 -NBR 70SH	1,00			--
0026	S PVVR40074		COUPLING N.RIT. XJS	1,00			--
0028	S GUGO11652	00011652	O-RING D. 12.42 X 1.78 NBR 70SH	1,00			--
0040	RCDS40069		NIPPLE G 3/8 M.MATIC 4/B	1,00			--
0041	PVVR40131		CONNECTOR M.MATIC 4/B	1,00			--
0042	GUGO76542	00076542	O-RING D. 23.47 X 2.62 NBR 70SH	1,00			--
0044	GUGO01058	00001058	O-RING D. 17.17 X 1.78 NBR 70SH	1,00			--
0045	RCDS40070		SCREW G 1/2 M.MATIC 4/B	1,00			--
0049	MPVR40163		CAP AR XJS	1,00			--
0052	VTVT40019		SCREW M 3X 5 EI-ST UNI 5923	1,00			--
0053	GUGO19207	00019207	O-RING D. 1.78 X 1.78 NBR 70SH	1,00			--
0054	PVVR40136		CONTROL PISTON AR TSS M.MTC	1,00			--
0055	MLML40017		SPRING D. 8.7 X15.9 D.1.2	1,00			--
0056	LAFN40212		PLUG "U" AR TSS	1,00			--
0057	MEPF40013		PRESSURE SWITCH AR TSS 220V N.A. L.900	1,00			--
0058	GUGO12489	00012489	O-RING D. 6.07 X 1.78 NBR 70SH	1,00			--
0059	GUGO03496	00003496	O-RING D. 9.25 X 1.78 NBR 70SH	1,00			--
0060	PVVR40137		PISTON GUIDE AR TSS M.MATIC	1,00			--
0061	GUGO19189	00019189	O-RING D. 2.90 X 1.78 NBR 70SH	2,00			--
0062	S GUGO40031		O-RING D. 3.68 X 1.78 NBR 90SH	1,00			--



Ref. Part n.	Cust. part n.	Description	Reference	Price
KTRI40128		KIT P 14-101 M.MATIC 4/B CK.V.	0025 0026 0028	--
KTRI40127		KIT P 14-100 M.MATIC 4/B	0007 0008 0009 0010 0012 0013 0014 0015 0016 0017 0018 0019 0020 0062	--

# VRZ TSS + ID

KIT F = pos. 10 11 14 15 18 19 20 23 28 29  
31 33 37 38 40 44 45 46

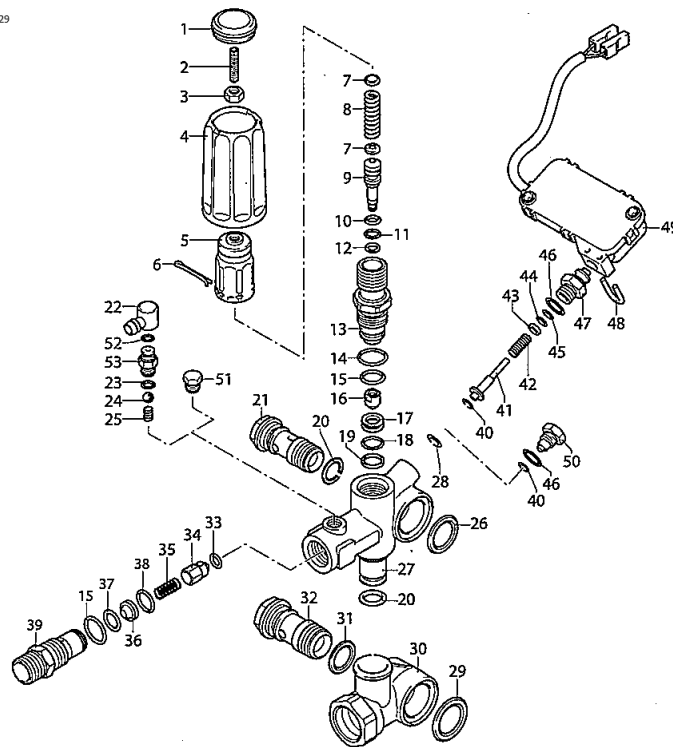


UN\_00\_4104-FR

Ref. K	Part n.	Part n. 2	Description	Quantity	Validity		Price
					From	To	
0001	PVVR40241		CAP VRC-BM	1,00			--
0002	VTVT40051		SCREW STEI M 6X25	1,00			--
0003	PVVR40292		NUT AR	1,00			--
0004	PVVR40418		KNOB VRZ	1,00			--
0005	PVVR40236		KNOB M.MT/4B	1,00			--
0006	VTVR40025		SPLIT PIN D. 2,6X15	1,00			--
0007	PVVR40067		SPRING PLATE AR XJS	2,00			--
0008	PVVR40419		SPRING VALVOLA VRZ	1,00			--
0009	PVVR40420		PISTON VRC-BM	1,00			--
0010	S GUGO40046		O-RING D. 6.02 X 2.62 NBR 90SH	1,00			--
0011	S GUGO12489	00012489	O-RING D. 6.07 X 1.78 NBR 70SH	1,00			--
0012	GUVR40072		ANTI-EXTR.RING D. 6.5X 9.4	1,00			--
0013	PVVR40421		PISTON GUIDE VRZ	1,00			--
0014	S GUGO03505	00003505	O-RING D. 15.6 X 1.78 NBR 70SH	1,00			--
0015	S GUGO11652	00011652	O-RING D. 12.42 X 1.78 NBR 70SH	2,00			--
0016	PVVR40423		COUPLING AR VRZ	1,00			--
0017	PVVR40424		VALVE SEAT AR VRZ	1,00			--
0018	S GUGO19194	00019194	O-RING D. 11.11 X 1.78 NBR 70SH	1,00			--
0019	S GUVR40085		ANTI-EXTR.RING D. 14 X11,8X1	1,00			--
0020	S GUGO01047	00001047	O-RING D. 11.91 X 2.62 NBR 70SH	2,00			--
0021	RCDS40068		SCREW G 3/8 M.MATIC 4/B OT.	1,00			--
0026	GUGO40057		O-RING D. 20.29 X 2.62-NBR 70SH	1,00			--
0027	PVVR40427		VALVE BODY VRZ	1,00			--
0028	S GUGO40031		O-RING D. 3.68 X 1.78 NBR 90SH	1,00			--
0029	S GUGO76542	00076542	O-RING D. 23.47 X 2.62 NBR 70SH	1,00			--
0030	PVVR40428		BODY VALVOLA VRZ	1,00			--
0031	S GUGO01058	00001058	O-RING D. 17.17 X 1.78 NBR 70SH	1,00			--
0032	RCDS40070		SCREW G 1/2 M.MATIC 4/B	1,00			--
0033	S GUGO12494	00012494	O-RING D. 4 X 2.5 -NBR 70SH	1,00			--
0034	PVVR40422		COUPLING AR VRZ	1,00			--
0035	PVVR40252		SPRING VRC-BM	1,00			--
0039	RCDS40192		NIPPLE G 3/8 VRZ	1,00			--
0040	S GUVR40084		ANTI-EXTR.RING PARBAK 8-007	1,00		31/01/2016	--
0040	S GUVR40094		ANTI-EXTR.RING D. 4.2X 7 X1 PTFE+BZ	1,00	01/02/2016		--
0041	PVVR40425		CONTOL ROD AR TSS VRZ	1,00		31/01/2016	--
0041	S PVVR40470		CONTOL ROD AR TSS VRZ.Evo	1,00	01/02/2016		--
0042	PVVR40429		SPRING VALVOLA VRZ	1,00			--
0043	PVVR40430		WASHER VALVOLA VRZ	1,00			--
0044	S GUGO19207	00019207	O-RING D. 1.78 X 1.78 NBR 70SH	1,00			--
0045	S GUVR40086		ANTI-EXTR.RING D. 4,9X 2 X1,3	1,00			--
0046	S GUGO06988	00006988	O-RING D. 7.66 X 1.78 NBR 70SH	1,00			--
0047	PVVR40431		CONNECTOR VALVOLA VRZ	1,00			--
0048	LAFN40212		PLUG "U" AR TSS	1,00			--
0049	PVVR40433		PRESSURE SWITCH TTS VRZ marc. AB	1,00			--

# VRZ TSS + ID

KIT F = pos. 10 11 14 15 18 19 20 23 28 29  
31 33 37 38 40 44 45 46

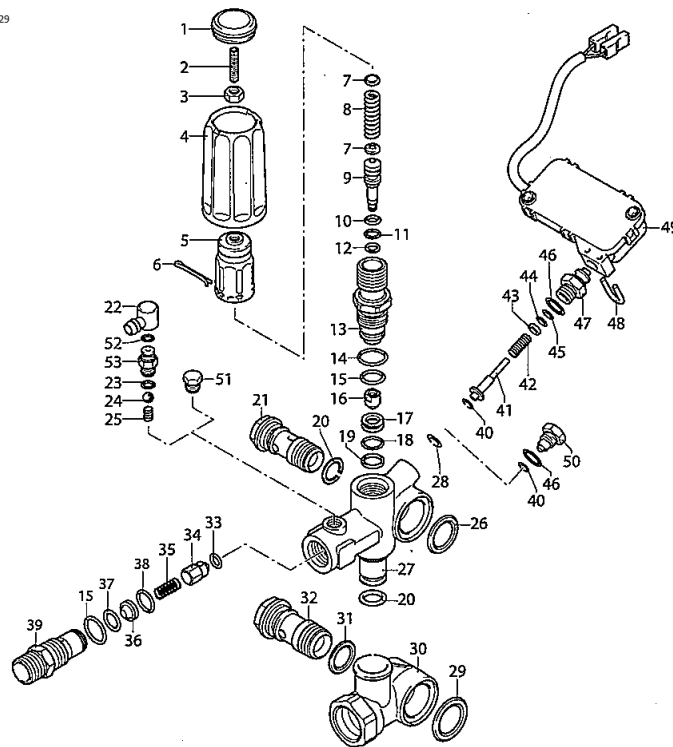


UN\_00\_4104-FR

Ref. K	Part n.	Part n. 2	Description	Quantity	Validity		Price
					From	To	
0051	RCDS19214	00019214	CAP 1/8 M	1,00			--

# VRZ TSS + ID

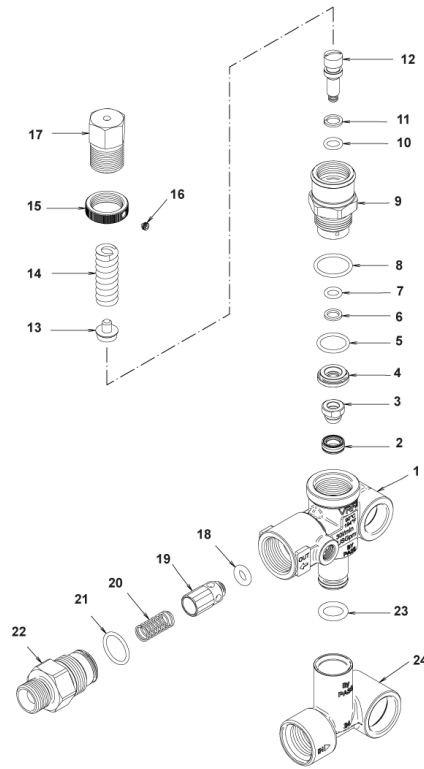
KIT F = pos. 10 11 14 15 18 19 20 23 28 29  
31 33 37 38 40 44 45 46



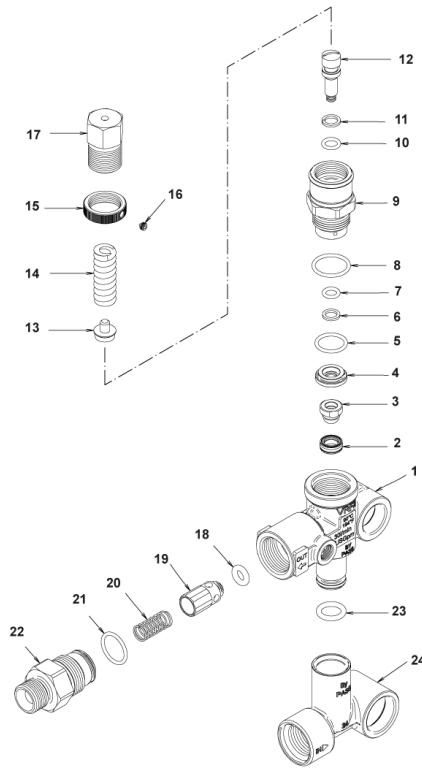
UN\_00\_4104-FR

Ref. Part n.	Cust. part n.	Description	Reference	Price
KTRI40394		KIT P 14-43234 VRZ.Evo	0028 0040 0041	--
F KTRI40293		KIT P SET O-RING VALVOLA VRZ	0010 0011 0014 0015 0018 0019 0020 0023 0028 0029 0031 0033 0037 0038 0040 0044 0045 0046	--

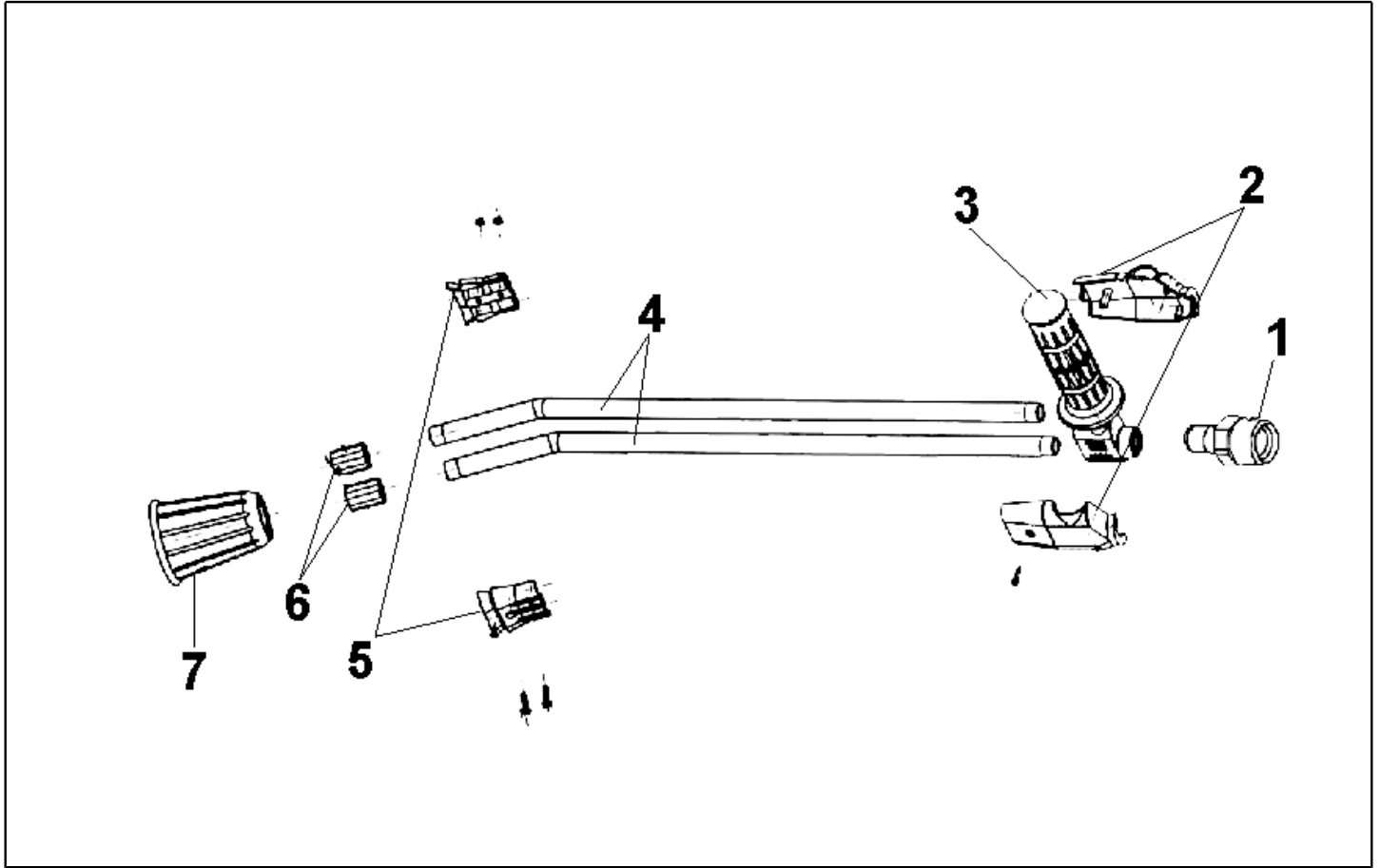




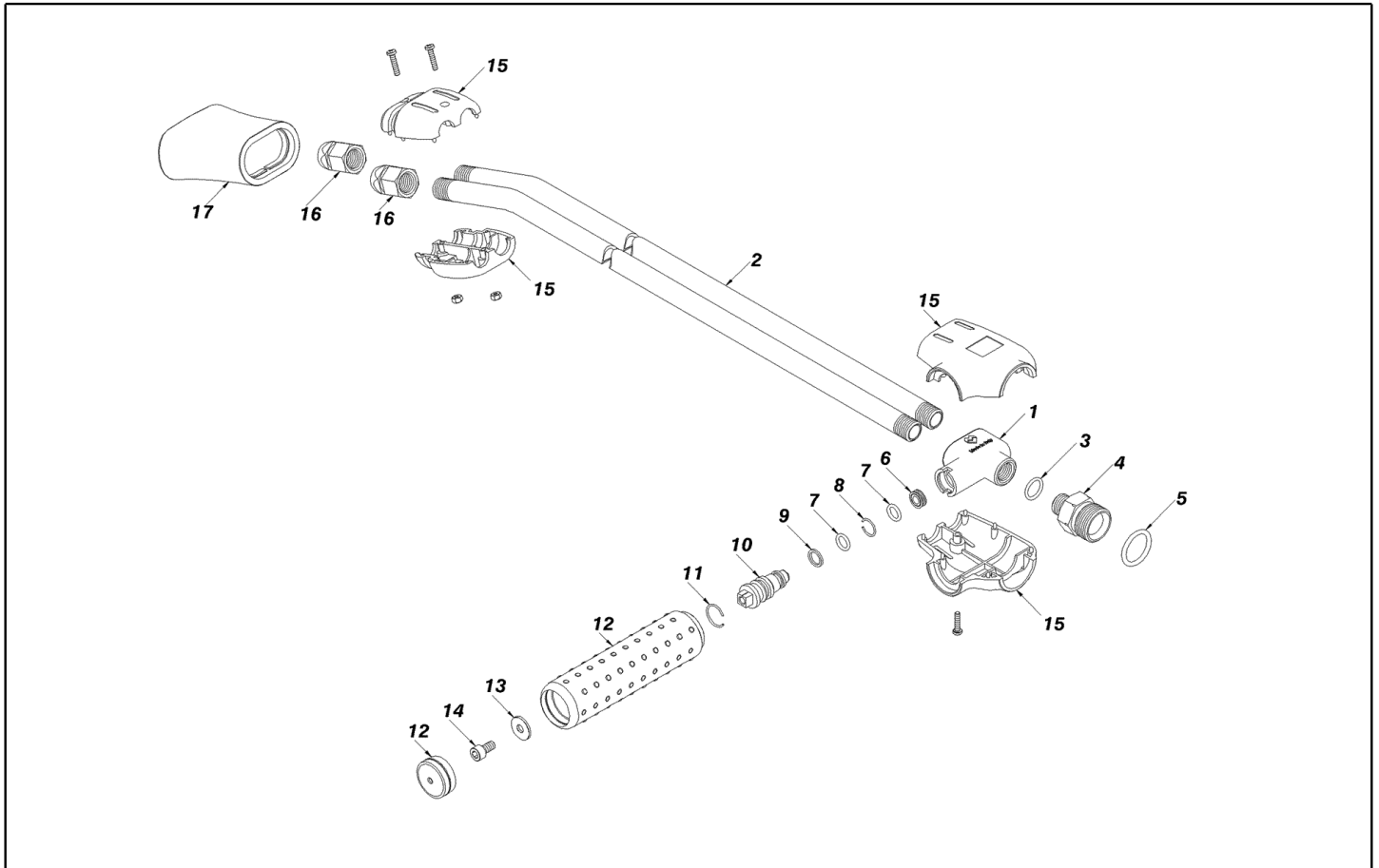
Ref. K	Part n.	Part n. 2	Description	Quantity	Validity		Price
					From	To	
0001	PVVR40375		VALVE BODY VRF2 +G1/8 F	1,00			--
0002	S PVVR40363		VALVE SEAT MV124 +OR	1,00			--
0003	S PVVR40364		COUPLING MV124	1,00			--
0004	S PVVR40365		SPACER MV124	1,00			--
0005	S GUGO12322	00012322	O-RING D. 14 X 1.78 NBR 90SH	1,00			--
0006	S GUVR40072		ANTI-EXTR.RING D. 6.5X 9.4	1,00			--
0007	S GUGO83861		O-RING D. 6.07 X 1.78 NBR 90SH	1,00			--
0008	S GUGO24913	00024913	O-RING D. 17.17 X 1.78 NBR 90SH	1,00			--
0009	S PVVR40366		CONNECTOR VRF2 D.10	1,00			--
0010	S GUGO03500	00003500	O-RING D. 6.75 X 1.78 NBR 70SH	1,00			--
0011	S GUVR40073		ANTI-EXTR.RING D. 7.1X10 X1.2 TBT	1,00			--
0012	S PVVR40367		SMALL PISTON D.10 VRF2	1,00			--
0013	PVVR40368		SPRING PLATE MV124 25B	1,00			--
0014	MLML40027		SPRING D. 3.0/6.0 X38.85	1,00			--
0015	PVVR40369		RING NUT MV167.09	1,00			--
0016	VTVT89696		SCREW EI-ST 4X 4 UNI5927 ZC	1,00			--
0017	PVVR40370		CAP VRF2 M18X1	1,00			--
0018	S GUGO46053	00046053	O-RING D. 6 X 3 NBR 90SH	1,00			--
0019	S PVVR40349		COUPLING VRT3	1,00			--
0020	S MLML40026		SPRING VRT3	1,00			--
0021	S GUGO12321	00012321	O-RING D. 15.6 X 1.78 NBR 90SH	1,00			--
0022	PVVR40525		CONNECTOR VRT3 G 3/8M	1,00			--
0023	GUGO11225	00011225	O-RING D. 10.78 X 2.62 NBR 70SH	1,00			--
0024	PVVR40373		CONNECTOR VRF2.24	1,00			--



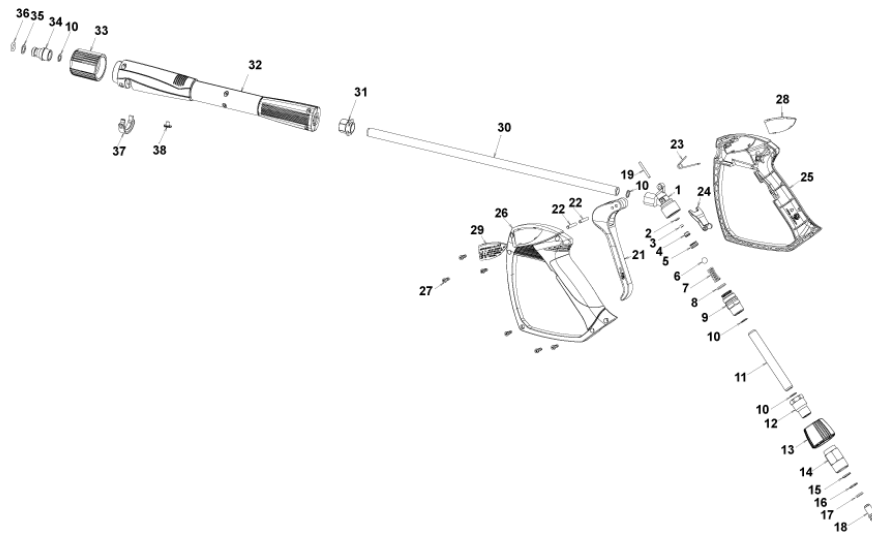
Ref. Part n.	Cust. part n.	Description	Reference	Price
KTRI40236		KIT P 14-103 VRF2	0002 0003 0004 0005 0006 0007 0008 0009 0010 0011 0012 0018 0019 0020 0021	--
KTRI40237		KIT P 14-104 SEAL VRF2	0002 0003 0005 0006 0007 0008 0010 0011 0018 0021	--



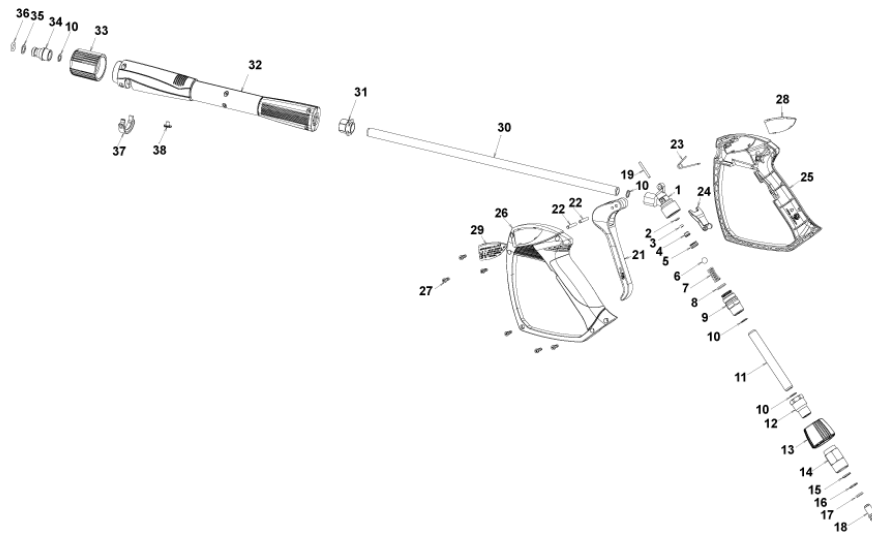
Ref. K	Part n.	Part n. 2	Description	Quantity	Validity		Price
					From	To	
0001	PVVR45296	00045296	COUPLING G 1/4M -M22 M +PR.PLS	1,00			--
0002	MPVR45214	00045214	PROTECTION TB.1/4 MTM	1,00			--
0003	RCGR45737	00045737	TAP 1/8 F LD MTM	1,00			--
0004	LCPR45740	00045740	TUBE 1/8 L=660 INOX MTM	2,00			--
0005	MPVR45001	00045001	SHELL LD MTM	1,00			--
0006	RCVR45741	00045741	NOZZLE HOLDER 1/4-1/8 F MTM	2,00			--
0007	PVVR43810	00043810	PROTECTION L.D. MTM	1,00			--



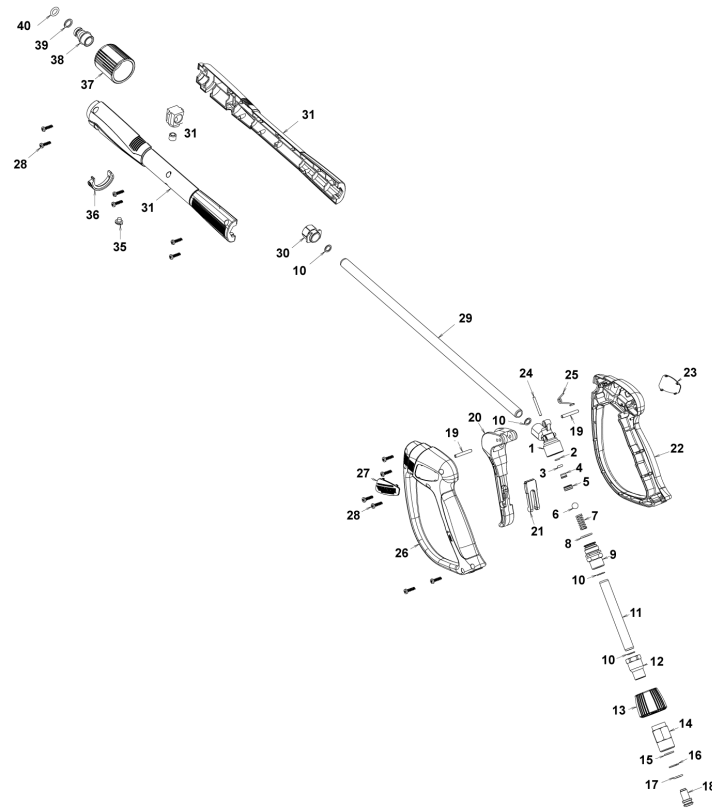
Ref. K	Part n.	Part n. 2	Description	Quantity	Validity		Price
					From	To	
0001	RCGR40000		TAP BODY L.DOP. 1/4" MV INX	1,00			--
0002	LCPR40000		TUBE 1/4 L=700 CROM.	2,00		30/11/2009	--
0002	LCPR40107		TUBE 1/4 L=700 INX.	2,00	01/12/2009		--
0003	GUGO19194	00019194	O-RING D. 11.11 X 1.78 NBR 70SH	1,00		30/09/2010	--
0003	VTRS04931	00004931	WASHER COPPER D.13X19X1.5	1,00	01/10/2010		--
0004	RCIN46781	00046781	MALE COUPLING MV 1/4 -M 22 M	1,00			--
0005	GUGO01056	00001056	O-RING D. 18.72 X 2.62 NBR 70SH	1,00			--
0006	PVVR40019		BUSHING MV LD	1,00			--
0007	GUGO06988	00006988	O-RING D. 7.66 X 1.78 NBR 70SH	2,00			--
0008	PVVR40020		CIRCLIP LD MV D. 8	1,00			--
0009	GUGO40002		ANTI-EXTR.RING D. 8 NBR	1,00			--
0010	PVVR40021		REGULAT. SCREW LD MV INX	1,00			--
0011	PVVR46783	00046783	CIRCLIP LD MV	1,00			--
0012	PVVR46784	00046784	KNOB LD MV +CAP	1,00			--
0013	VTRS15958	00015958	WASHER UNI 6592 5X15X1,5 ZB	1,00			--
0014	VTVT17639	00017639	SCREW TCEI M 5X10 UNI 5931	1,00			--
0015	MPVR46786	00046786	PROTECTION LD/TB MV	1,00			--
0016	RCVR46787	00046787	NOZZLE HOLDER 1/4-1/4 F MV	12,00			--
0017	PVVR46788	00046788	PROTECTION LD MV	1,00			--



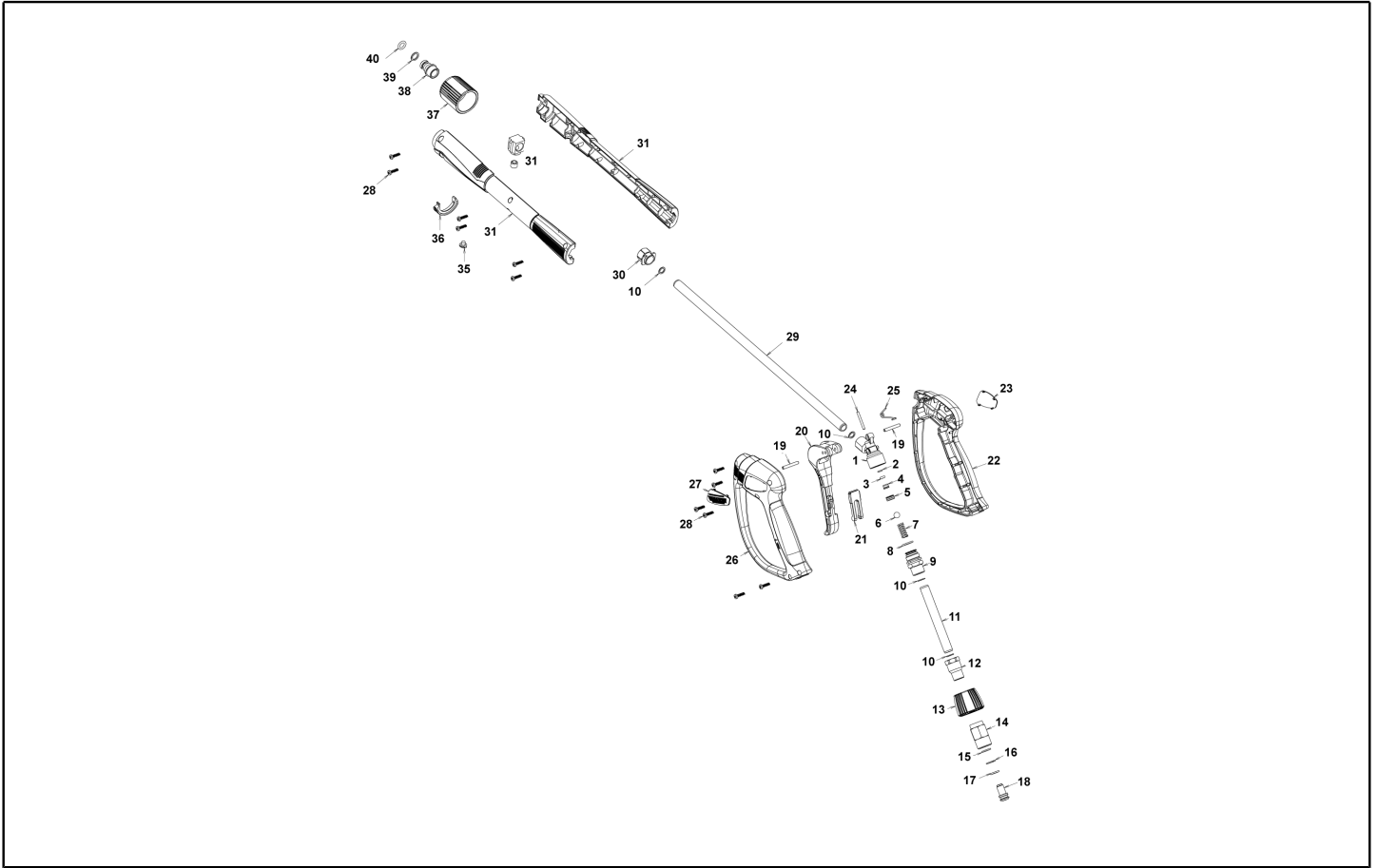
Ref. K	Part n.	Part n. 2	Description	Quantity	Validity		Price
					From	To	
0001	PVVR40381		GUN BODY G 5100 G1/4F	1,00			--
0002	S	GUVR40074	ANTI-EXTR.RING D. 3 X 7.4X1.3	1,00			--
0003	S	GUGO21835	00021835	O-RING D. 2.84 X 2.62 VIT. 80SH	1,00		--
0004	PVVR40382		PISTON GUIDE G 5100	1,00			--
0005	S	PVVR40112	BALL SEAT G 5000	1,00			--
0006	S	SFVR27026	00027026	BALL D.11/32" INX	1,00		--
0007	MLML40016		SPRING D. 9.4 x21.5x1.6 G5000	1,00			--
0008	GUGO12322	00012322	O-RING D. 14 X 1.78 NBR 90SH	1,00			--
0009	PVVR40383		CONNECTOR COLL.G5100 1/4F	1,00			--
0010	VTRS40017		WASHER D. 8,2X11,4X1,00	4,00			--
0011	PVVR40384		TUBE G 1/4" L.105	1,00			--
0012	RCIN40022		CONNECTOR SWIV G5100 1/4F	1,00			--
0013	MPVR40486		RING NUT G 5100 SW. GR.	1,00			--
0014	RCIN40021		JOINT SWIV 5100 M22	1,00			--
0015	S	GUVR40075	ANTI-EXTR.RING D. 10 X14X1.5	1,00			--
0016	S	GUVR40076	ANTI-EXTR.RING D. 11.2X14X1.2	1,00			--
0017	S	GUGO15295	00015295	O-RING D. 10.82 X 1.78 VIT 75SH	1,00		--
0018	PVVR40386		SCREW SW. G 5100	1,00			--
0019	PVVR40387		SMALL PISTON G 5100	1,00			--
0021	MPVR40487		TRIGGER G 5100-SW	1,00			--
0022	VTVR40047		PLUG D. 4X29	2,00			--
0023	MLML40029		SPRING G 5100	1,00			--
0024	MPVR40488		SAFETY-DEVICE G 5100-SW	1,00			--
0025	MPVR40489		SHELL G 5100-SW DX	1,00			--
0026	MPVR40490		SHELL G 5100-SW SX	1,00			--
0027	VTVT40043		SCREW AF 4X 14 HILO ZN.N	6,00			--
0028	MPVR40491		PLATE G 5100 GR.DX	1,00			--
0029	MPVR40492		PLATE G 5100 GR.SX	1,00			--
0030	LCPR40086		TUBE 1/4 L=420 ZC. 0°	1,00			--
0031	MPVR40493		CONNECTOR G 5100-SW	1,00			--
0032	MPVR40494		PROTECTION P 420 C/AN.	1,00			--
0033	PVVR40119		CONNECTION M22X1.5 IRV G5000	1,00			--
0034	RCIN40009		GUDGEON G 1/4 F IRV G5000	1,00			--
0035	GUVR40034		ANTI-EXTR.RING D. 10 X14	1,00			--
0036	GUGO01946	00001946	O-RING D. 9.13 X 2.62 VIT 70SH	1,00			--
0037	MPVR40495		CAP G 5100 REM.	1,00			--
0038	MPVR40198		CAP G 5000	1,00			--



Ref. Part n.	Cust. part n.	Description	Reference	Price
KTRI40242		KIT P 26- 25 G 5100	0002 0003 0005 0006	--
KTRI40243		KIT P 26- 26 SWIVEL G 5100	0015 0016 0017	--

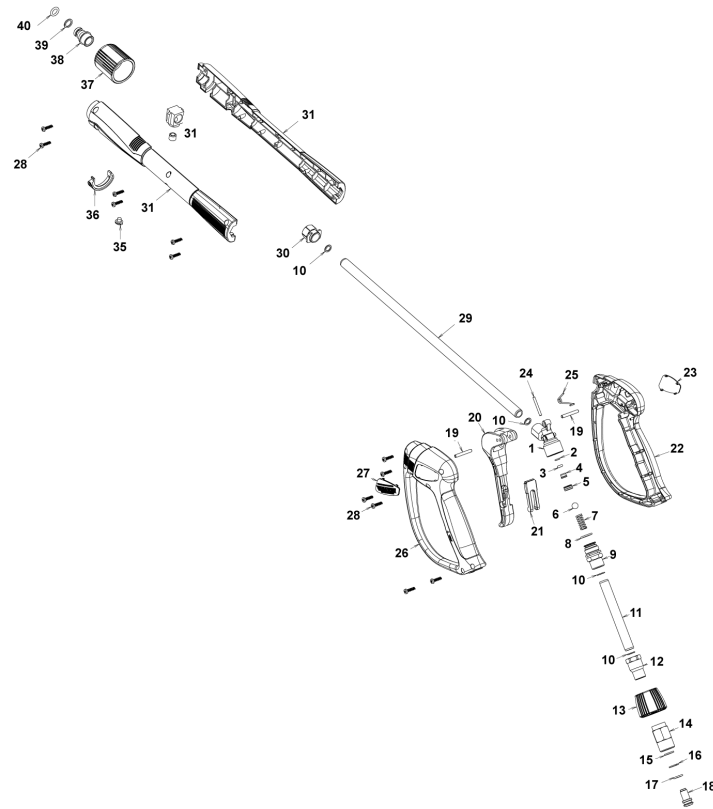


Ref. K	Part n.	Part n. 2	Description	Quantity	Validity		Price
					From	To	
0001	PVVR40381		GUN BODY G 5100 G1/4F	1,00			--
0002	S	GUVR40074	ANTI-EXTR.RING D. 3 X 7.4X1.3	1,00			--
0003	S	GUGO21835	00021835	O-RING D. 2.84 X 2.62 VIT. 80SH	1,00		--
0004	PVVR40382		PISTON GUIDE G 5100	1,00			--
0005	S	PVVR40112	BALL SEAT G 5000	1,00			--
0006	S	SFVR40002	BALL D.11/32" ALL GR16	1,00			--
0007	MLML40016		SPRING D. 9.4 x21.5x1.6 G5000	1,00			--
0008	GUGO12322	00012322	O-RING D. 14 X 1.78 NBR 90SH	1,00			--
0009	PVVR40383		CONNECTOR COLL.G5100 1/4F	1,00			--
0010	VTRS40017		WASHER D. 8.2X11,4X1.00	4,00			--
0011	PVVR40384		TUBE G 1/4" L.105	1,00			--
0012	RCIN40022		CONNECTOR SWIV G5100 1/4F	1,00			--
0013	MPVR40819		RING NUT G 5100 SW. BK.	1,00			--
0014	RCIN40021		JOINT SWIV 5100 M22	1,00			--
0015	S	GUVR40075	ANTI-EXTR.RING D. 10 X14X1.5	1,00			--
0016	S	GUVR40076	ANTI-EXTR.RING D. 11.2X14X1.2	1,00			--
0017	S	GUGO15295	00015295	O-RING D. 10.82 X 1.78 VIT 75SH	1,00		--
0018	PVVR40386		SCREW SW. G 5100	1,00			--
0019	VTVR40047		PLUG D. 4X29	2,00			--
0020	MPVR40820		TRIGGER G 6000-SW	1,00			--
0021	MPVR40821		SAFETY-DEVICE G 6000-SW	1,00			--
0022	MPVR40822		SHELL G 6000-SW DX	1,00			--
0023	MPVR40823		PLATE G 6000 GR.DX	1,00			--
0024	PVVR40387		SMALL PISTON G 5100	1,00			--
0025	MLML40029		SPRING G 5100	1,00			--
0026	MPVR40824		SHELL G 6000-SW SX	1,00			--
0027	MPVR40825		PLATE G 6000 GR.SX	1,00			--
0028	VTVT40043		SCREW AF 4X 14 HILO ZN.N	12,00			--
0029	LCPR40086		TUBE 1/4 L=420 ZC. 0°	1,00			--
0030	MPVR40493		CONNECTOR G 5100-SW	1,00			--
0031	MPVR40494		PROTECTION P 420 C/AN.	1,00			--
0035	MPVR40198		CAP G 5000	1,00			--
0036	MPVR40495		CAP G 5100 REM.	1,00			--
0037	PVVR40119		CONNECTION M22X1,5 IRV G5000	1,00			--
0038	RCIN40009		GUDGEON G 1/4 F IRV G5000	1,00			--
0039	GUVR40034		ANTI-EXTR.RING D. 10 X14	1,00			--
0040	GUGO01946	00001946	O-RING D. 9.13 X 2.62 VIT 70SH	1,00			--

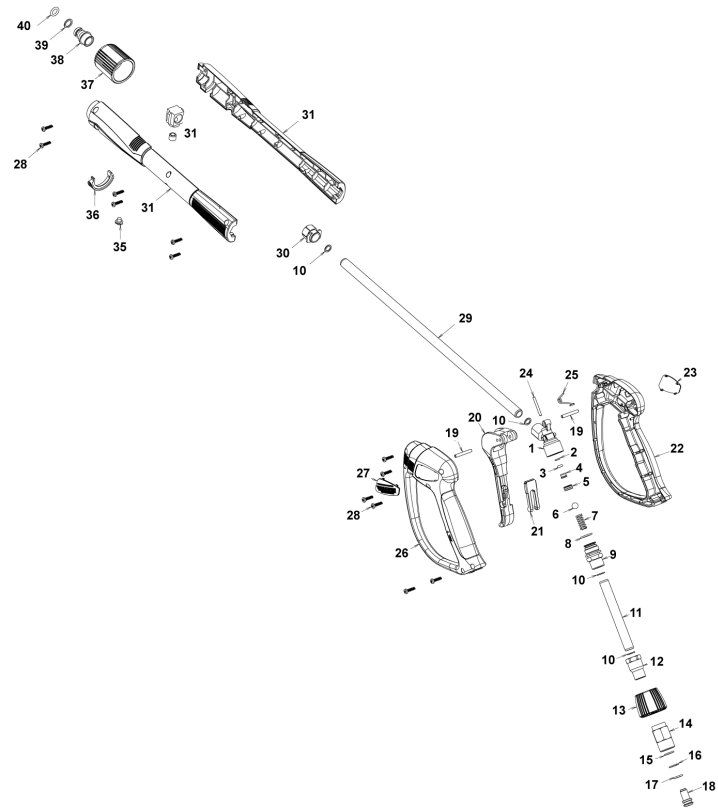


Ref. Part n.	Cust. part n.	Description	Reference	Price
KTRI40243		KIT P 26- 26 SWIVEL G 5100	0015 0016 0017	--
KTRI40414		KIT P 26- 34 G 6000	0002 0003 0005 0006	--

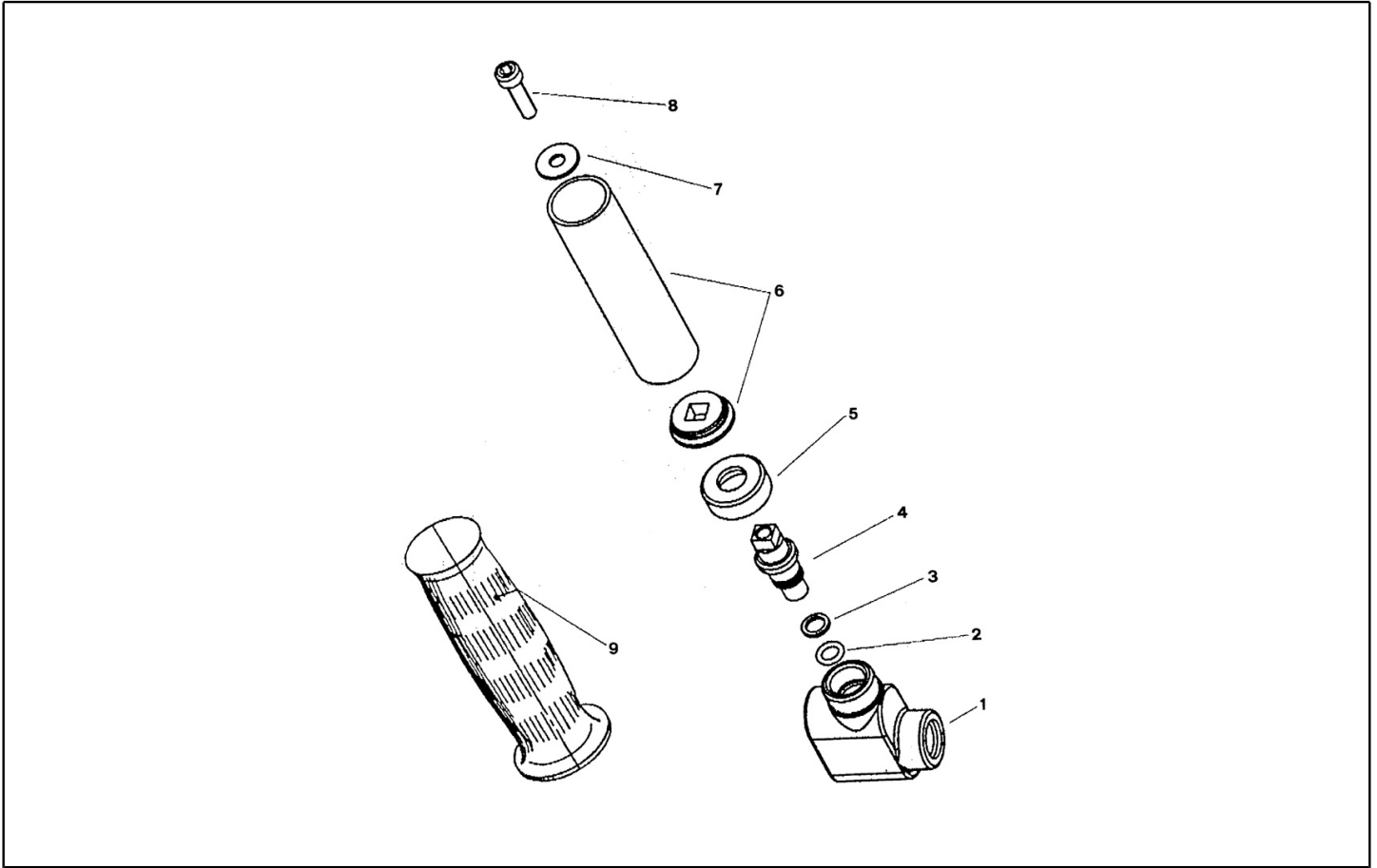




Ref. K	Part n.	Part n. 2	Description	Quantity	Validity		Price
					From	To	
0001	PVVR40381		GUN BODY G 5100 G1/4F	1,00			--
0002	S	GUVR40074	ANTI-EXTR.RING D. 3 X 7.4X1.3	1,00			--
0003	S	GUGO21835	00021835	O-RING D. 2.84 X 2.62 VIT. 80SH	1,00		--
0004	PVVR40382		PISTON GUIDE G 5100	1,00			--
0005	S	PVVR40563	BALL SEAT AL36 G6000 + OR	1,00			--
0006	S	SFVR40004	BALL D. 5/16" ALL.GR16	1,00			--
0007	MLML40047		SPRING D. 9.4 x23.5x1.6 G6000	1,00			--
0008	GUGO12322	00012322	O-RING D. 14 X 1.78 NBR 90SH	1,00			--
0009	PVVR40383		CONNECTOR COLL.G5100 1/4F	1,00			--
0010	VTRS40017		WASHER D. 8.2X11,4X1.00	4,00			--
0011	PVVR40384		TUBE G 1/4" L.105	1,00			--
0012	RCIN40022		CONNECTOR SWIV G5100 1/4F	1,00			--
0013	MPVR40967		RING NUT G 6000 SW. GR.	1,00			--
0014	RCIN40021		JOINT SWIV 5100 M22	1,00			--
0015	S	GUVR40075	ANTI-EXTR.RING D. 10 X14X1.5	1,00			--
0016	S	GUVR40076	ANTI-EXTR.RING D. 11.2X14X1.2	1,00			--
0017	S	GUGO15295	00015295	O-RING D. 10.82 X 1.78 VIT 75SH	1,00		--
0018	PVVR40386		SCREW SW. G 5100	1,00			--
0019	VTVR40047		PLUG D. 4X29	2,00			--
0020	MPVR40820		TRIGGER G 6000-SW	1,00			--
0021	MPVR40821		SAFETY-DEVICE G 6000-SW	1,00			--
0022	MPVR40822		SHELL G 6000-SW DX	1,00			--
0023	MPVR40968		PLATE G 6000/2 GR.DX	1,00			--
0024	PVVR40564		SMALL PISTON G 6000 AL36 SP.	1,00			--
0025	MLML40029		SPRING G 5100	1,00			--
0026	MPVR40824		SHELL G 6000-SW SX	1,00			--
0027	MPVR40825		PLATE G 6000 GR.SX	1,00			--
0028	VTVT40043		SCREW AF 4X 14 HILO ZN.N	12,00			--
0029	LCPR40181		TUBE 1/4 L=416 ZC. 0°	1,00			--
0030	MPVR40493		CONNECTOR G 5100-SW	1,00			--
0031	MPVR40494		PROTECTION P 420 C/AN.	1,00			--
0035	MPVR40198		CAP G 5000	1,00			--
0036	MPVR40495		CAP G 5100 REM.	1,00			--
0037	PVVR40119		CONNECTION M22X1,5 IRV G5000	1,00			--
0038	RCIN40048		GUDGEON G 1/4 F IRV G6000/2	1,00			--
0039	GUVR40034		ANTI-EXTR.RING D. 10 X14	1,00			--
0040	GUGO63555	00063555	O-RING D. 9.3 X 2,4 VIT 75SH	1,00			--



Ref. Part n.	Cust. part n.	Description	Reference	Price
KTRI40243		KIT P 26- 26 SWIVEL G 5100	0015 0016 0017	--
KTRI40513		KIT P 26- 36 G 6000/II	0002 0003 0005 0006	--



Ref. K	Part n.	Part n. 2	Description	Quantity	Validity		Price
					From	To	
0001	RCGR41556	00041556	TAP BODY L.DOP. 1/8" MTM	1,00		08/03/2010	--
0001	PVVR40132		VALVE BODY L.DP 1/4F-1/8FF CP.	1,00	09/03/2010		--
0002	GUGO10330	00010330	O-RING D. 6.07 X 1.78 VIT 70SH	1,00		08/03/2010	--
0003	GUVR41551	00041551	ANTI-EXTR.RING SR 010	1,00		08/03/2010	--
0004	PVVR41553	00041553	SMALL PISTON L.DP. MTM	1,00		08/03/2010	--
0005	PVVR41555	00041555	RING NUT L.DOP. MTM	1,00		08/03/2010	--
0006	LAFN41552	00041552	PIPE D. 22 MTM	1,00			--
0007	VTRS15958	00015958	WASHER UNI 6592 5X15X1,5 ZB	1,00			--
0008	VTVT17639	00017639	SCREW TCEI M 5X10 UNI 5931	1,00			--
0009	MPVR41554	00041554	KNOB D. 22 MTM	1,00			--