

**Integrated Professional Cleaning**



**IPC Foma**



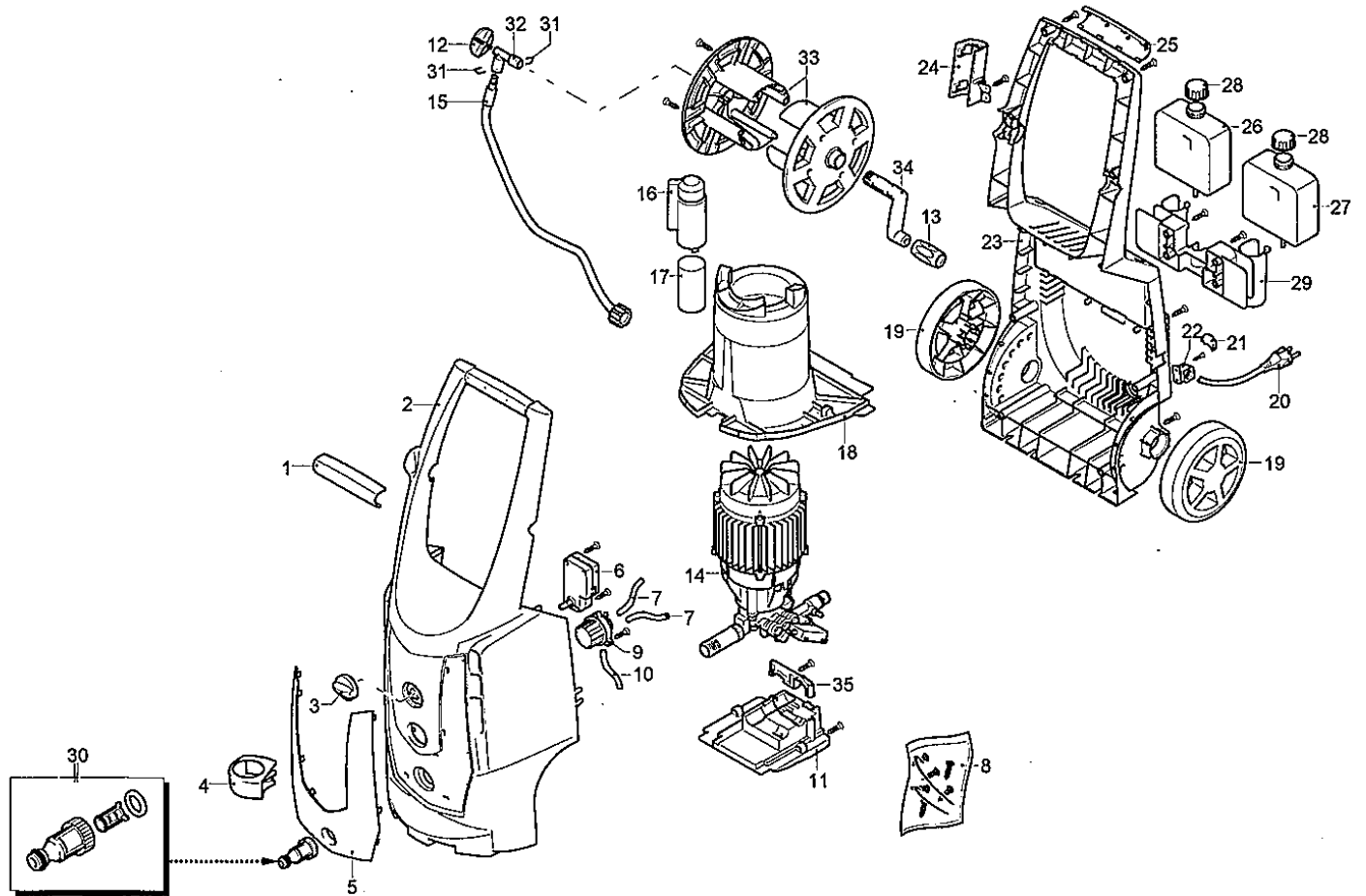
**IPC Sverige**

## Spare Parts List

FOMA NORGE AS

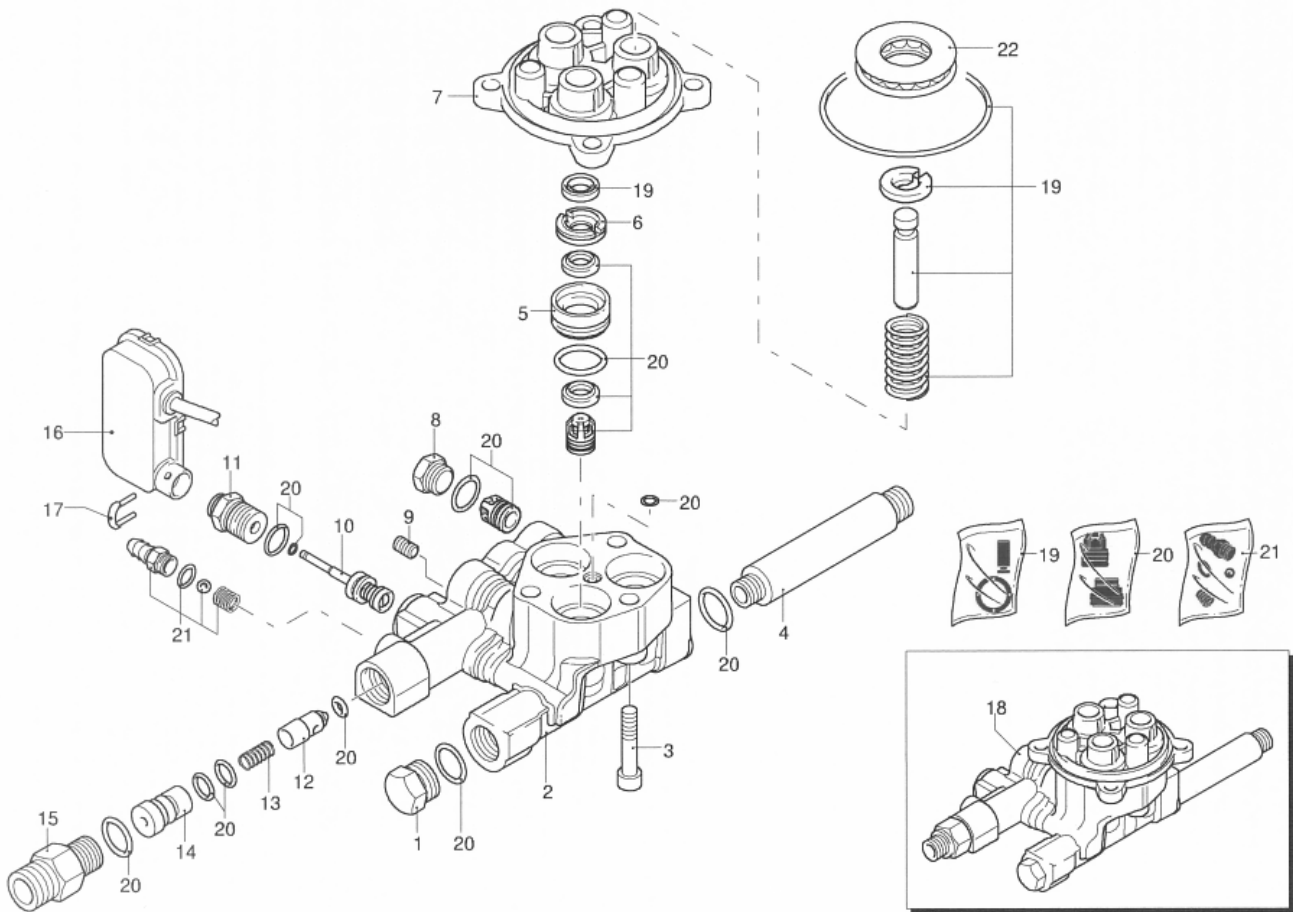
Ref: IDAF94225

Model: IDROP PW-C23P I1508A M 230/50 3-09IPC



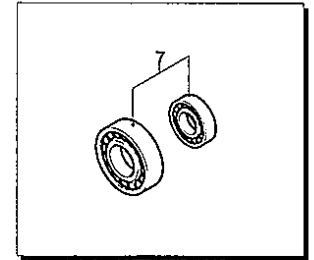
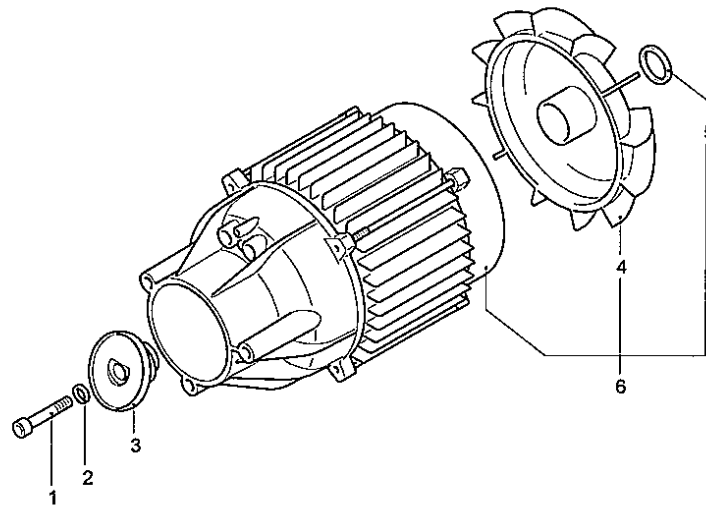
UN\_CE\_1505-GR

| Ref. | K | Part N.   | Customer Part N. | Description                   | Qty  | Validity: |         | Price |
|------|---|-----------|------------------|-------------------------------|------|-----------|---------|-------|
|      |   |           |                  |                               |      | From      | To      |       |
| 0001 |   | MPVR40463 |                  | HANDLE PW-C23 ANT.GR.         | 1,00 |           |         | --    |
| 0002 |   | MPVR40508 |                  | HOOD PW-C23 BK.               | 1,00 |           |         | --    |
| 0003 |   | MPVR40465 |                  | SWITCH KNOB PW-C23            | 1,00 |           |         | --    |
| 0004 |   | MPVR40466 |                  | SUPPORT PW-C23 BK.            | 1,00 |           |         | --    |
| 0005 |   | MPVR40474 |                  | INSERT PW-C23 GR.368C         | 1,00 |           |         | --    |
| 0006 |   | MPVR40468 |                  | CONTROL BOX PW-C23            | 1,00 |           |         | --    |
| 0007 |   | TBBP40061 |                  | L.P. HOSE D. 7-10 PW-C23      | 2,00 |           |         | --    |
| 0008 |   | KTRI40222 |                  | KIT P 4- 14 SCREW PW-C23      | 1,00 |           |         | --    |
| 0009 |   | RCGR40007 |                  | DETERGENT TAP PW-C23 2V.      | 1,00 |           |         | --    |
| 0010 |   | TBBP40062 |                  | L.P. HOSE D. 7-10 PW-C23/2    | 1,00 |           |         | --    |
| 0011 |   | MPVR40469 |                  | SUPPORT E.PMP PW-C23          | 1,00 |           | 09/2014 | --    |
| 0011 |   | MPVR40650 |                  | SUPPORT E.PMP PW-C23          | 1,00 | 09/2014   |         | --    |
| 0012 |   | MPVR40482 |                  | CAP PW-C23 A.TB.              | 1,00 |           |         | --    |
| 0013 |   | MPVR40514 |                  | HANDLE PW-C23 AVTB            | 1,00 |           | 02/2014 | --    |
| 0013 |   | MPVR40637 |                  | HANDLE PW-C23 AVTB            | 1,00 | 02/2014   |         | --    |
| 0014 |   | PPEL40041 |                  | GROUP PW-C23 2500W 230/50 2P. | 1,00 |           |         | --    |
| 0015 |   | TBAP40109 |                  | HOSE AVV. PW-C23              | 1,00 |           |         | --    |
| 0016 |   | MPVR40471 |                  | SUPPORT PW-C23                | 1,00 |           |         | --    |
| 0017 |   | MECO40010 |                  | CAPACITOR 30 MF               | 1,00 |           |         | --    |
| 0018 |   | MPVR40472 |                  | CONVEYOR PW-C23               | 1,00 |           |         | --    |
| 0019 |   | RTRT40028 |                  | WHEEL D.175 PW-C23            | 2,00 |           |         | --    |
| 0020 |   | MECB40239 |                  | CABLE PVC 3X1.5 SCH.          | 1,00 |           |         | --    |
| 0021 |   | MPVR40473 |                  | CAP PW-C23                    | 1,00 |           |         | --    |
| 0022 |   | MPVR40454 |                  | CABLE CLAMP PW-C10            | 1,00 |           |         | --    |
| 0023 |   | MPVR40475 |                  | FRAME PW-C23 BK.              | 1,00 |           |         | --    |
| 0025 |   | MPVR40477 |                  | HANDLE PW-C23 PST.GR.         | 1,00 |           |         | --    |
| 0026 |   | MPVR40512 |                  | TANK PW-C23 DX                | 1,00 |           |         | --    |
| 0027 |   | MPVR40513 |                  | TANK PW-C23 SX                | 1,00 |           |         | --    |
| 0028 |   | MPVR40480 |                  | TANK CAP PW-C23 BK.           | 2,00 |           |         | --    |
| 0029 |   | MPVR40515 |                  | HANDLE PW-C23                 | 1,00 |           |         | --    |
| 0030 |   | RCVR40103 |                  | SOCKET C10 3/4 F +FILT.       | 1,00 |           |         | --    |
| 0031 |   | LAFN40542 |                  | PLUG "U" AVTB-C23             | 1,00 |           |         | --    |
| 0032 |   | RCDS40146 |                  | CONNECTOR PW-C23              | 1,00 |           |         | --    |
| 0033 |   | MPVR40484 |                  | DRUM PW-C23                   | 1,00 |           |         | --    |
| 0034 |   | MPVR40460 |                  | HANDLE PW-C10                 | 1,00 |           |         | --    |
| 0035 |   | MPVR40719 |                  | SUPPORT E.PMP PW-C23          | 1,00 | 09/2014   |         | --    |



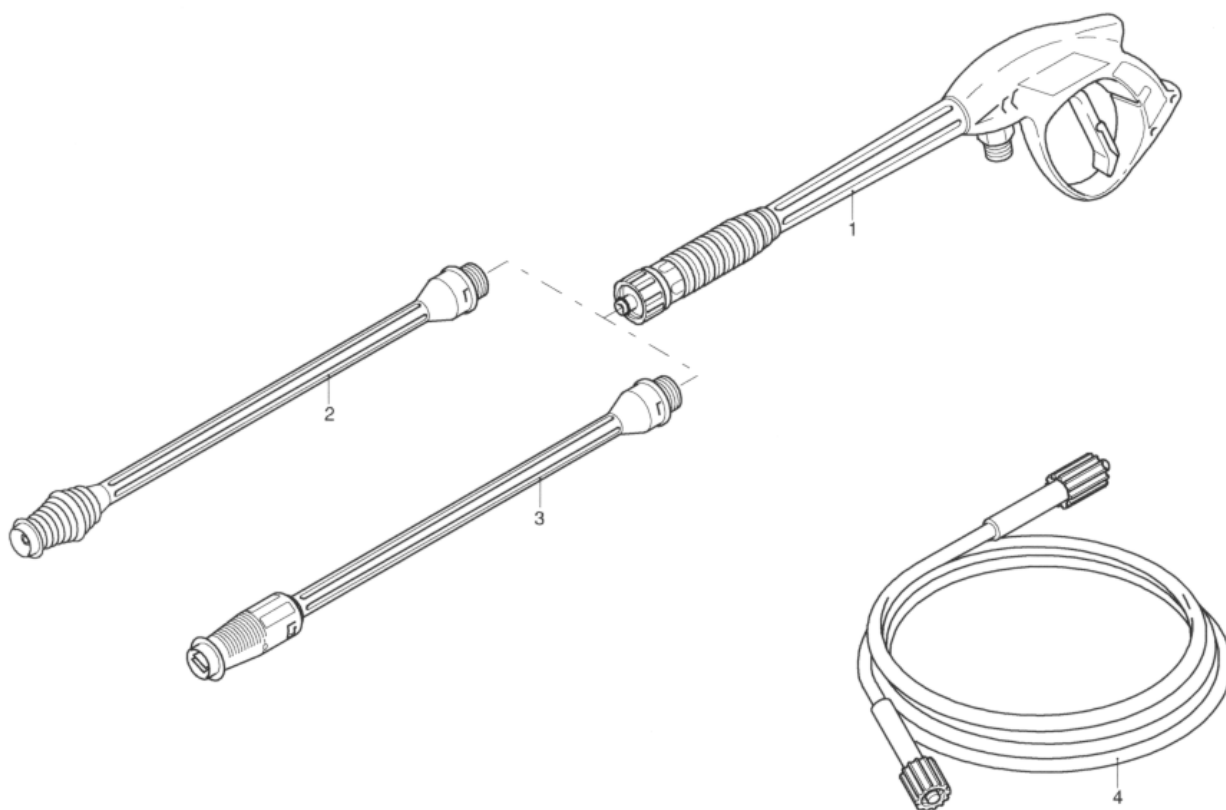
UN\_CE\_0571-NW

| Ref. | K | Part N.   | Customer Part N. | Description                    | Qty  | Validity: |         | Price |
|------|---|-----------|------------------|--------------------------------|------|-----------|---------|-------|
|      |   |           |                  |                                |      | From      | To      |       |
| 0001 |   | PVVR40099 |                  | CAP 3/8 M HRM                  | 1,00 |           |         | --    |
| 0002 |   | MFVR40057 |                  | HEAD AR C23 AL.                | 1,00 |           |         | --    |
| 0003 |   | VTVT28306 |                  | SCREW TCEI 8X45 UNI5931        | 3,00 |           |         | --    |
| 0004 |   | RCDS40150 |                  | CONNECTOR G151                 | 1,00 |           |         | --    |
| 0005 |   | PVVR40088 |                  | PACKING RETAIN.D. 12 HRM       | 3,00 |           |         | --    |
| 0006 |   | PVVR40089 |                  | INTERMED. RING D. 12 HRM       | 3,00 |           |         | --    |
| 0007 |   | MFVR40058 |                  | PISTON GUIDE POMPA AR C23      | 1,00 |           |         | --    |
| 0008 |   | PVVR40087 |                  | CAP AR HRM                     | 3,00 |           |         | --    |
| 0009 |   | PVVR40358 |                  | SCREW SEDE SFERA AR            | 1,00 |           |         | --    |
| 0010 |   | KTRI40229 |                  | KIT P 15-510 PISTON+SPRING TST | 1,00 |           |         | --    |
| 0011 |   | PVVR40097 |                  | PISTON GUIDE AR TSS            | 1,00 |           |         | --    |
| 0012 |   | PVVR40091 |                  | COUPLING AR HRM                | 1,00 |           |         | --    |
| 0013 |   | MLML32257 |                  | SPRING D. 6.5 X14 D.0.5        | 1,00 |           | 09/2014 | --    |
| 0013 |   | MLML40034 |                  | SPRING BY PASS                 | 1,00 | 09/2014   |         | --    |
| 0014 |   | PVVR40359 |                  | INJECTOR G151                  | 1,00 |           |         | --    |
| 0015 |   | RCDS40151 |                  | CONNECTOR INJECTOR G151        | 1,00 |           |         | --    |
| 0016 |   | MEPF40020 |                  | PRESSURE SWITCHAR TSS          | 1,00 |           |         | --    |
| 0017 |   | LAFN40212 |                  | PLUG "U" AR TSS                | 1,00 | 09/2014   |         | --    |
| 0017 |   | LAFN40543 |                  | PLUG "U" TSS G151              | 1,00 |           | 09/2014 | --    |
| 0018 |   | PPAP40104 |                  | PUMP AR G161 PREM.             | 1,00 |           |         | --    |
| 0019 |   | KTRI40230 |                  | KIT P 15-42754 G151            | 1,00 |           |         | --    |
| 0020 |   | KTRI40231 |                  | KIT P 15-42755 G151            | 1,00 |           |         | --    |
| 0021 |   | KTRI40232 |                  | KIT P 15-42756 DET.SUC. G151   | 1,00 |           |         | --    |
| 0022 |   | CUVR40019 |                  | BEARING AR                     | 1,00 |           |         | --    |



UN\_CE\_1543-KR

| Ref. | K | Part N.   | Customer Part N. | Description                      | Qty  | Validity: |    | Price |
|------|---|-----------|------------------|----------------------------------|------|-----------|----|-------|
|      |   |           |                  |                                  |      | From      | To |       |
| 0001 |   | VTVT06237 |                  | SCREW TCEI 6X20 UNI5931          | 1,00 |           |    | --    |
| 0002 |   | VTRS40018 |                  | WASHER D. 6 X10 GROWER           | 1,00 |           |    | --    |
| 0003 |   | PVVR40360 |                  | CAP G151                         | 1,00 |           |    | --    |
| 0004 |   | VEVR40011 |                  | IMPELLER C23                     | 1,00 |           |    | --    |
| 0005 |   | VTVR40046 |                  | RING C23                         | 1,00 |           |    | --    |
| 0006 |   | MOMO40033 |                  | 1PH MOTOR ARC23 W 2500 230-50 AR | 1,00 |           |    | --    |
| 0007 |   | KTRI40296 |                  | KIT P 15-43056 BEARING AR        | 1,00 | 10/2014   |    | --    |



UN\_CE\_1145-JT

| Ref. | K | Part N.   | Customer Part N. | Description                     | Qty  | Validity: |    | Price |
|------|---|-----------|------------------|---------------------------------|------|-----------|----|-------|
|      |   |           |                  |                                 |      | From      | To |       |
| 0001 |   | IPPR40012 |                  | GUN BIT +P270 +M22 M            | 1,00 |           |    | --    |
| 0002 |   | LCPR40080 |                  | LANCE R.POWER P 440 +M22 D.1.1B | 1,00 |           |    | --    |
| 0003 |   | LCPR40076 |                  | LANCE M.REG P 440 +M22 D.1.03BK | 1,00 |           |    | --    |
| 0004 |   | TBAP40108 |                  | H.P. HOSE SAE MT 12 1/4 -1IRV   | 1,00 |           |    | --    |