

**Integrated Professional Cleaning**



**IPC Foma**



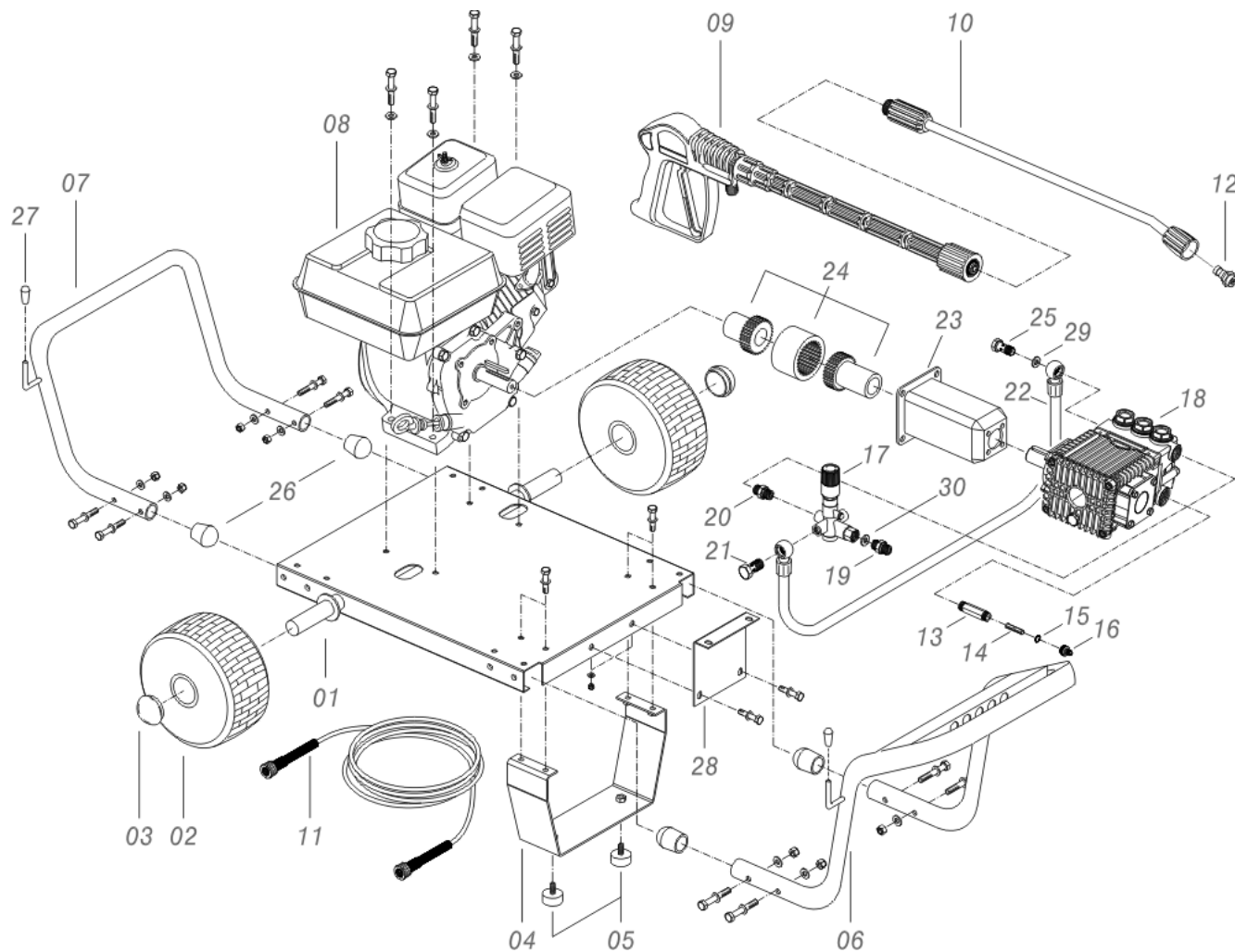
**IPC Sverige**

## Spare Parts List

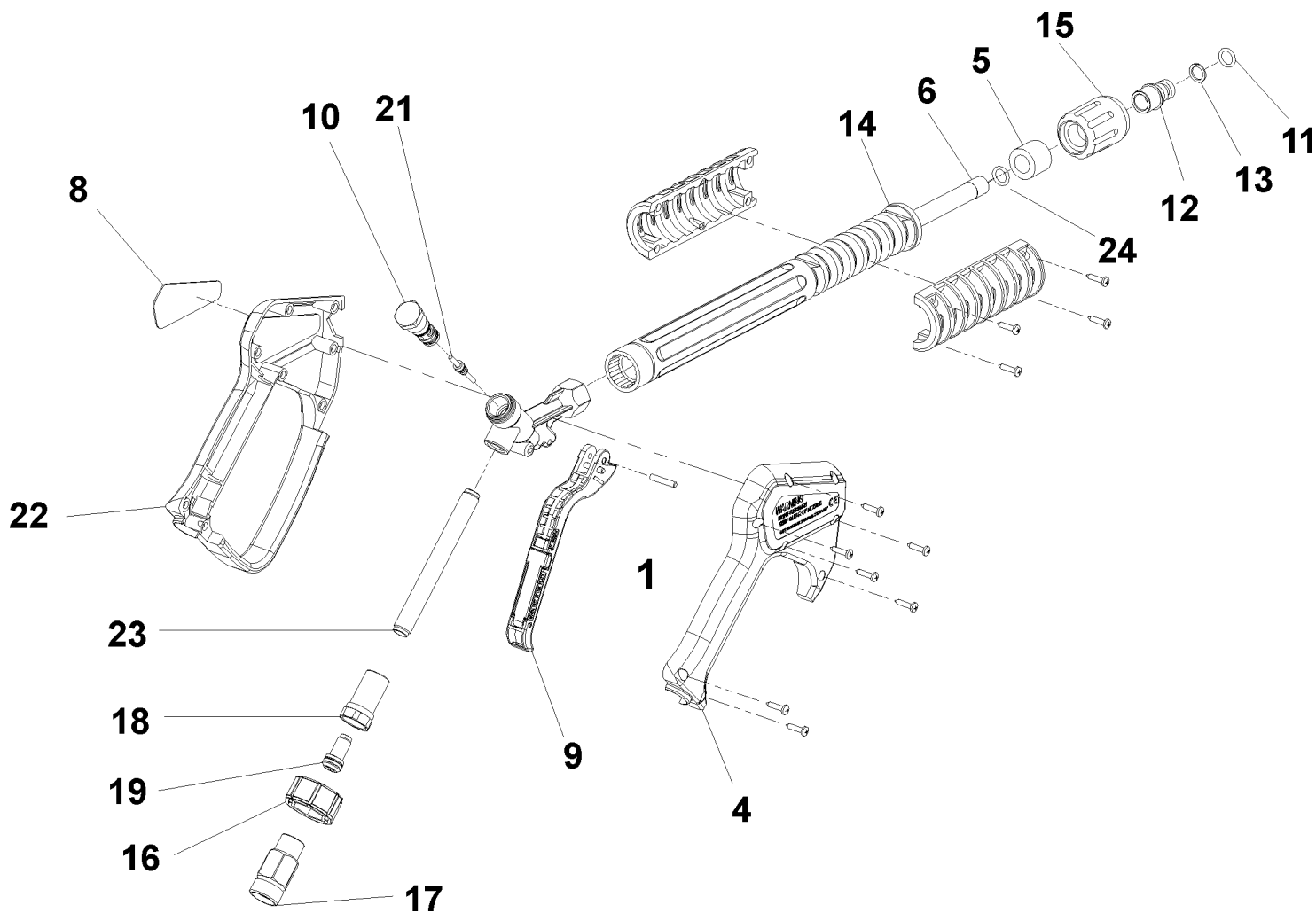
FOMA NORGE AS

Ref: IDAF40353

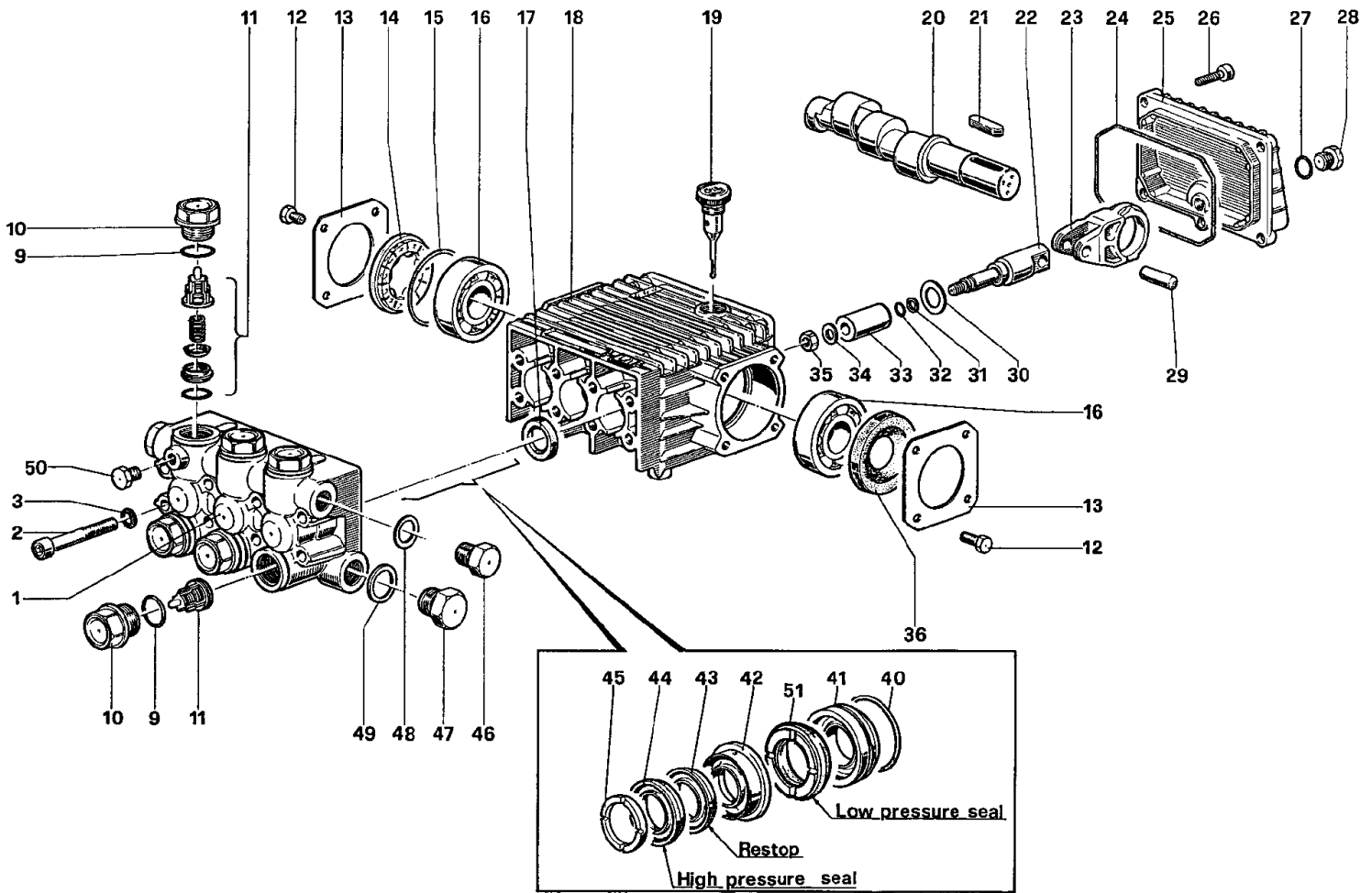
Model: IDROP BENZ-C H2013Pi P 3-01IPC



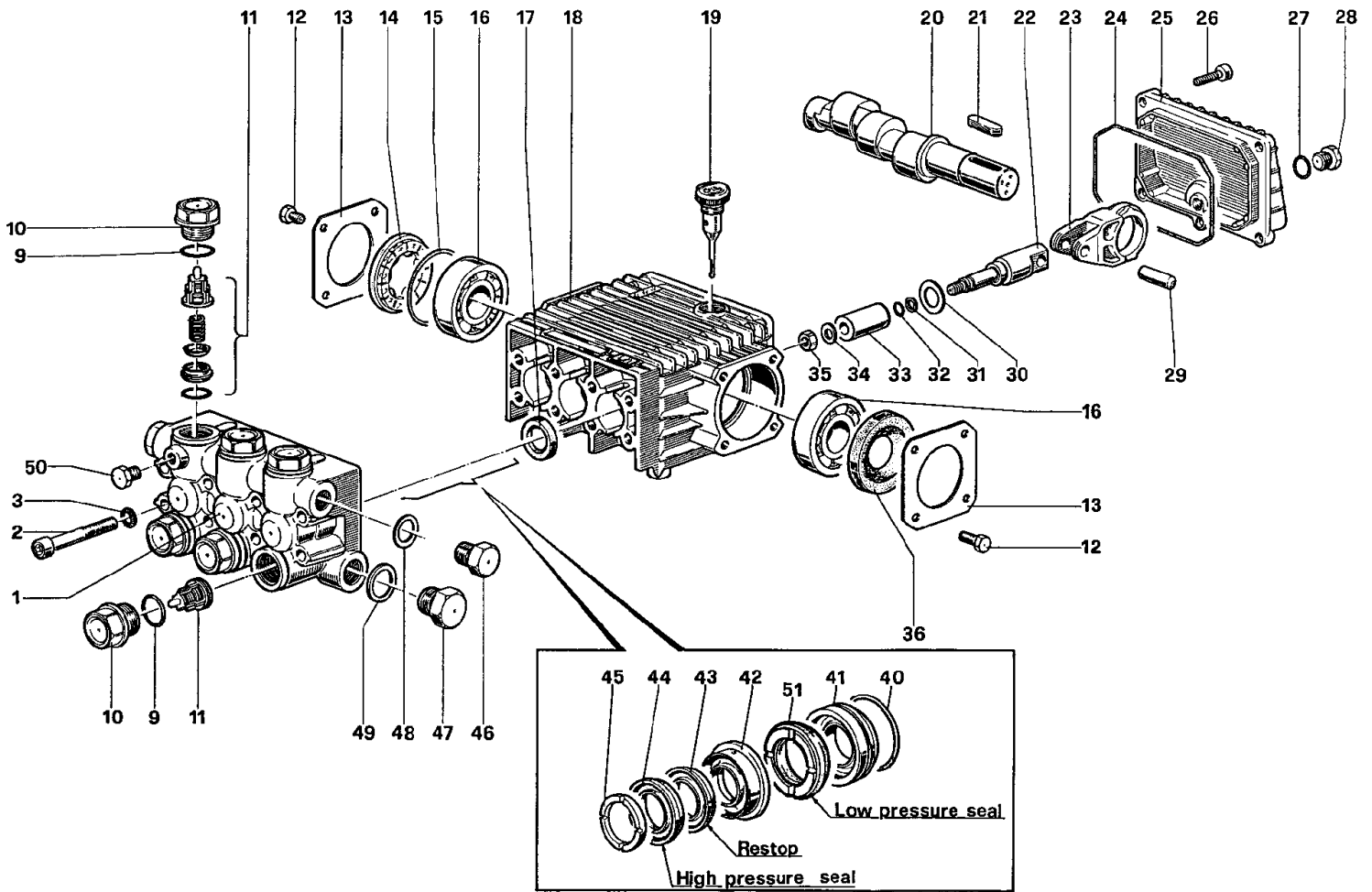
Ref.	K	Part N.	Customer Part N.	Description	Qty	Validity:		Price
						From	To	
0001		LAFN40179		CHASSIS BENZ HP 9-13	1,00			--
0002		RTRT40006		WHEEL D. 13.5"X 6/ 6 -D.25 PN.	2,00			--
0003		VTVR01268		HUB CAP D. 25	2,00			--
0004		LAFN40181		FOOT BENZ HP 9-13	1,00			--
0005		MPVR60726		VIBRATION DAMP.TCC48X25- 1M8X16 60SH GMM	2,00			--
0006		LAFN40188		HANDLE BENZ HP 9-13	1,00			--
0007		LAFN40183		BUMPER BENZ HP 9-13	1,00			--
0008		MOSC71921		ENGINE MOTOR HONDA GX270QX HP9 AV.M.	1,00			--
0009		IPPR89429		GRIP G 4500 - P.330 -M22SW.M V	1,00			--
0010		LCPR40013		EXTENSION P 70 - HYPERJET 1/4F	1,00			--
0011		TBAP25324		H.P. HOSE R1 MT 10 5/16" C/2 IRV ZC	1,00			--
0012		UGLN49990		NOZZLE LECH 1/4 25034	1,00			--
0013		RCDS46109		NIPPLE 3/4 - 1/2 RYL INX	1,00			--
0014		FTAC30214		FILTER D.15X67	1,00			--
0016		RCVR29600		SOCKET PTC 3/4 F	1,00			--
0017		VVAZ40004		VALVE BP 93 C/M.310B. 3/8-1/4F	1,00			--
0018		PPAP40033		PUMP "44" WW960 DX T.OT.	1,00			--
0019		RCIN09348		MALE COUPLING 3/8MA L=32	1,00			--
0020		RCDS12121		NIPPLE 3/8 - 3/8 SV/CN	1,00			--
0021		RCDS02612		SCREW G 1/4 A.P.	1,00			--
0022		TBBP18076		BY-PASS HOSE L=390 1/2OCC -1/4OCC 90°	1,00			--
0023		MFVR24511		FLANGE IP HP 8-18	1,00			--
0024		FGGT40002		FLEX. COUPLING HP 13.0 SM Z.28 1"-24 CPL	1,00			--
0025		RCDS10271		SCREW G 1/2 L=41.5	1,00			--
0026		MPVR01697		PROD D.30 1.02.109	4,00			--
0027		MPVR32471		PROD D. 8 BK	2,00			--
0028		LAFN40191		SUPPORT BRACKETBENZ HP 9.0	1,00			--
0029		VTRS12491		WASHER 1/2	2,00			--
0030		VTRS00548		WASHER D.17,5X23X1,5 (3/8)RM	1,00			--



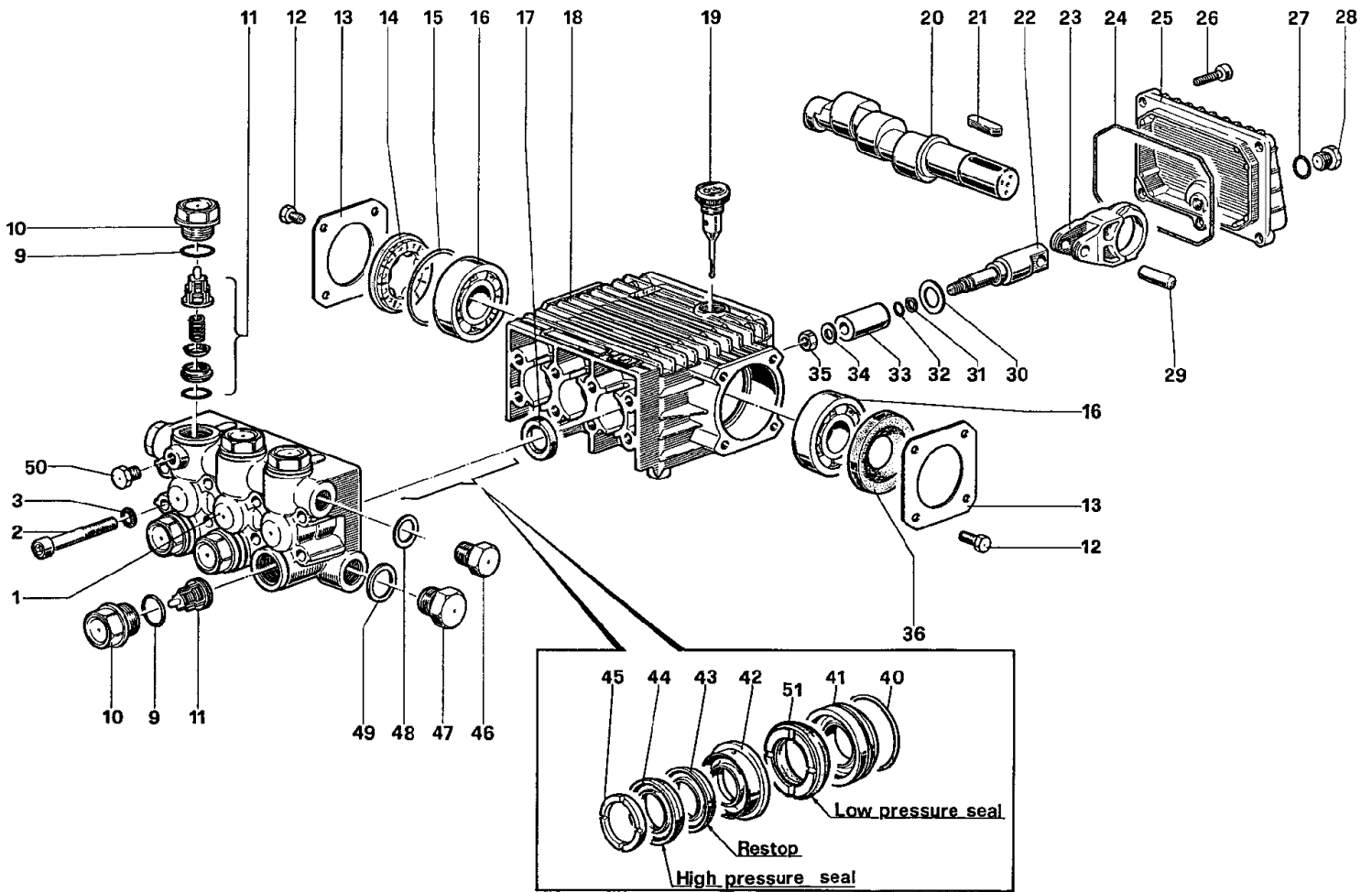
Ref.	K	Part N.	Customer Part N.	Description	Qty	Validity:		Price
						From	To	
0001		VTVR46568		PLUG G 4500	1,00			--
0004		MPVR40157		COVER G 4500 2V.	1,00	05/2008		--
0004		MPVR46563		COVER G 4500	1,00		04/2008	--
0005		MPVR46572		SPACER P 330 ST	1,00			--
0006		LCPR40007		TUBE 1/4 L=352 ZC. 2V.	1,00	05/2008		--
0006		LCPR46571		TUBE 1/4 L=352 ZC.	1,00		04/2008	--
0008		MPVR46569		PLATE G 4500 RD.	1,00			--
0009		MPVR40057		TRIGGER G 4500 -SW	1,00			--
0010		PVVR40030		SMALL PISTON TM ST-2300	1,00			--
0011		GUGO10384		O-RING D. 10 X 2.2 VIT 80SH	1,00			--
0012		RCVR13030		GUDGEON G 1/4 F L=31.5	1,00			--
0013		GUVR10526		ANTI-EXTR.RING D.13.9X10.2 C.BZ	1,00			--
0014		MPVR46570		PROTECTION P 330 ST	1,00			--
0015		PVVR13445		CONNECTION M 22X1.5 L=45	1,00			--
0016		MPVR40058		RING NUT G4500 SW.	1,00			--
0017		RCIN40001		JOINT SWIV 4500 3/8"F	1,00		04/2008	--
0017		RCIN40005		JOINT SWIV 4500 3/8"F 2V.	1,00	05/2008		--
0018		RCIN31641		CONNECTOR SWIV 1500 F	1,00			--
0019		KTRI31645		KIT P 26- 14	1,00			--
0021		PVVR40031		ROD ST-2300	1,00			--
0022		MPVR40156		SHELL G 4500 2V.	1,00	05/2008		--
0022		MPVR46562		SHELL G 4500	1,00		04/2008	--
0023		PVVR40023		TUBE G 1/4" M/M P/SW.	1,00			--
0024		GUGO27021		O-RING D. 11 X 2.5 EPD 70SH	1,00	05/2008		--



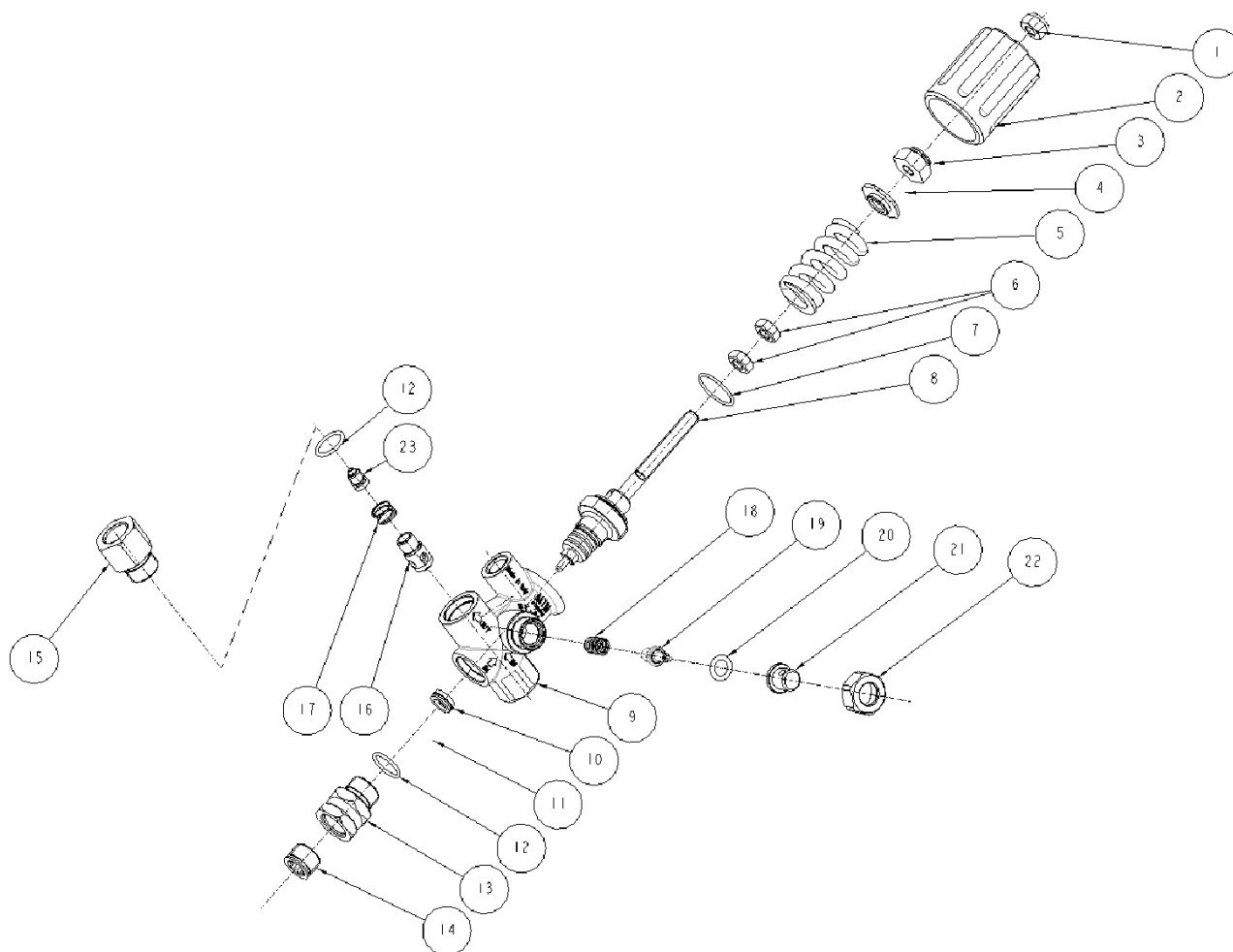
Ref.	K	Part N.	Customer Part N.	Description	Qty	Validity: From To	Price
0001		MFVR31567		HEAD "44" WW D.15	1,00		--
0002		VTVT01121		SCREW TCEI 8X60 UNI5931	8,00		--
0003		VTRS01072		WASHER D. 8 TC	8,00		--
0009	S	GUGO19395		O-RING D. 20.24 X 2.62 NBR 70SH	6,00		--
0010	S	RCDS28466		CAP M24X1.5X17 "44"	6,00		--
0011	S	VVAM28467		VALVE UNIT "44" WW136-186	6,00		--
0012		VTVT01109		SCREW TE M 6X 10 ZC. UNI 5739	8,00		--
0013		MFVR03562		CRANKASE COVER W 70	2,00		--
0014		MFVR28454		SPACER "44"	1,00		--
0015		GUGO01040		O-RING D. 55.56 X 3.53 NBR 70SH	1,00		--
0016		CUVR09654		BALL BEARING 6305	2,00		--
0017	S	GUGO01001		OIL SEAL 20X 30X 5 NBR70	3,00		--
0018		MFVR28453		PUMP CRANKCASE "44"	1,00		--
0019		PVVR01089		OIL DIPSTICK W 70	1,00		--
0020		ALMO40005		SHAFT "44" WW 960	1,00		--
0021		VTVR09510		KEY 8X7X35	1,00		--
0022		PVVR28457		PISTON GUIDE "44"	3,00		--
0023		BLVR28459		CONNECTING ROD "44"	3,00		--
0024		GUGO18695		O-RING D. 101.27 X 2.62 NBR 70SH	1,00		--
0025		MFVR28460		CRANKASE COVER "44"	1,00		--
0026		VTVT01114		SCREW TCEI 6X14 UNI 5931	5,00		--
0027		GUGO01036		O-RING D. 10.82 X 1.78 NBR 70SH	1,00		--
0028		RCDS01088		CAP 1/4X 9 M WW90	1,00		--
0029		PVVR28458		GUDGEON D.10X29.5 "44"	3,00		--
0030		VTRS28456		WASHER D.16 X28 X1 PVC	3,00		--
0031		GUVR10257		ANTI-EXTR.RING WW161	3,00		--
0032		GUGO01055		O-RING D. 5.28 X 1.78 VIT 70SH	3,00		--
0033		PIVR09319		PISTON D.15 TURBO 14.160	3,00		--
0034		VTRS09321		WASHER D. 8X13X1	3,00		--
0034		VTRS46027		WASHER D. 8 C/CLL.	3,00	07/2002	--
0035		VTDD04284		NUT M8X1,25 X13X5 S2 INX	3,00		--
0036		GUGO28465		OIL SEAL 25X 62X10 NBR70	1,00		--
0040	S	GUGO01039		O-RING D. 31.47 X 1.78 NBR 70SH	3,00		--
0041	S	PVVR28505		PACKING RETAIN.D. 15 "44"	3,00		--
0042	S	PVVR09326		INTERMED. RING D. 15 TURBO	3,00		--
0043	S	GUVR15117		PACKING D. 15 RESTOP	3,00		--
0044	S	GUVR09324		PACKING D. 15 TURBO	3,00		--
0045	S	PVVR09327		HEAD RING D. 15	3,00		--
0046		RCDS01090		CAP 3/8X13 M WW90	1,00		--



Ref.	K	Part N.	Customer Part N.	Description	Qty	Validity:		Price
						From	To	
0047		RCDS01091		CAP 1/2X10 M	1,00			--
0048		VTRS01074		WASHER D.17,05X22,3 X1,5	1,00			--
0049		VTRS01075		WASHER D.21,5X27 ALL	1,00			--
0050		RCDS09704		CAP G 1/8 KR	1,00			--
0051	S	GUVR34582		PACKING D. 15 L.P.	3,00			--



Ref. Part N.	Cust. Part N.	Description	Reference	Price
KTRI18585	KIT P	23	0017	--
KTRI21658	KIT P	88	0043 0044 0051	--
KTRI21659	KIT P	89	0042	--
KTRI21660	KIT P	90	0045	--
KTRI28508	KIT P	15-123	0011	--
KTRI28510	KIT P	15-124	0009 0010	--
KTRI28512	KIT P	15-125	0040 0041	--
KTRI28522	KIT P	130	0040 0041 0042 0043 0044 0045 0051	--



Ref. K	Part N.	Customer Part N.	Description	Qty	Validity:		Price
					From	To	
0001	VTDD89669		NUT M 8 X1 AUT. INX A2	1,00			--
0002	MPVR40002		KNOB BP9 BK.	1,00			--
0003	VTDD88134		NUT M 8 BY-PASS BP91	1,00			--
0004	PVVR88140		SPRING PLATE BP91	1,00			--
0005	MLML40014		SPRING D.15.6 X27 L=51.5 310B.	1,00			--
0006	VTDD40000		NUT M 8 X1 UNI5588 INX A2	2,00			--
0007	GUGO11652		O-RING D. 12.42 X 1.78 NBR 70SH	1,00			--
0008	PVVR40016		PUSH ROD BP9 CP.	1,00			--
0009	PVVR40107		VALVE BODY BP 93 3/8"	1,00			--
0010	PVVR88135		INSERT BY-PASS BP91	1,00			--
0011	SFVR88141		BALL D.17/32" AISI 440	1,00			--
0012	GUGO03505		O-RING D. 15.6 X 1.78 NBR 70SH	2,00			--
0013	PVVR88138		CONNECTOR EASY-ST. BP91	1,00			--
0014	PVVR88139		CAP 3/8 M BP91	1,00			--
0015	PVVR49638		CONNECTOR BP91 3/8F	1,00			--
0016	PVVR49636		SMALL PISTON BP91 C/OR	1,00			--
0017	MLML49637		SPRING BP91	1,00			--
0018	MLML40015		SPRING D. 9.2X18,26X1 BP 93	1,00			--
0019	PVVR40108		ELEMENT TH. BP 93	1,00			--
0020	GUGO28927		O-RING D. 9.13 X 2.62 NBR 70SH	1,00			--
0021	PVVR40109		CONNECTOR BP 93	1,00			--
0022	PVVR40110		RING NUT M18X1 BP 93	1,00			--