



SNOW PLOW

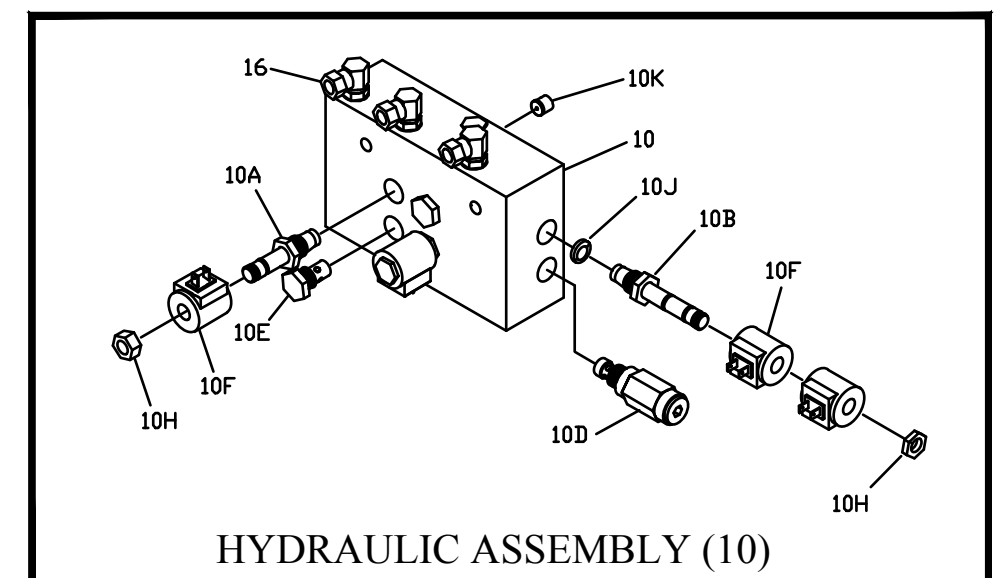
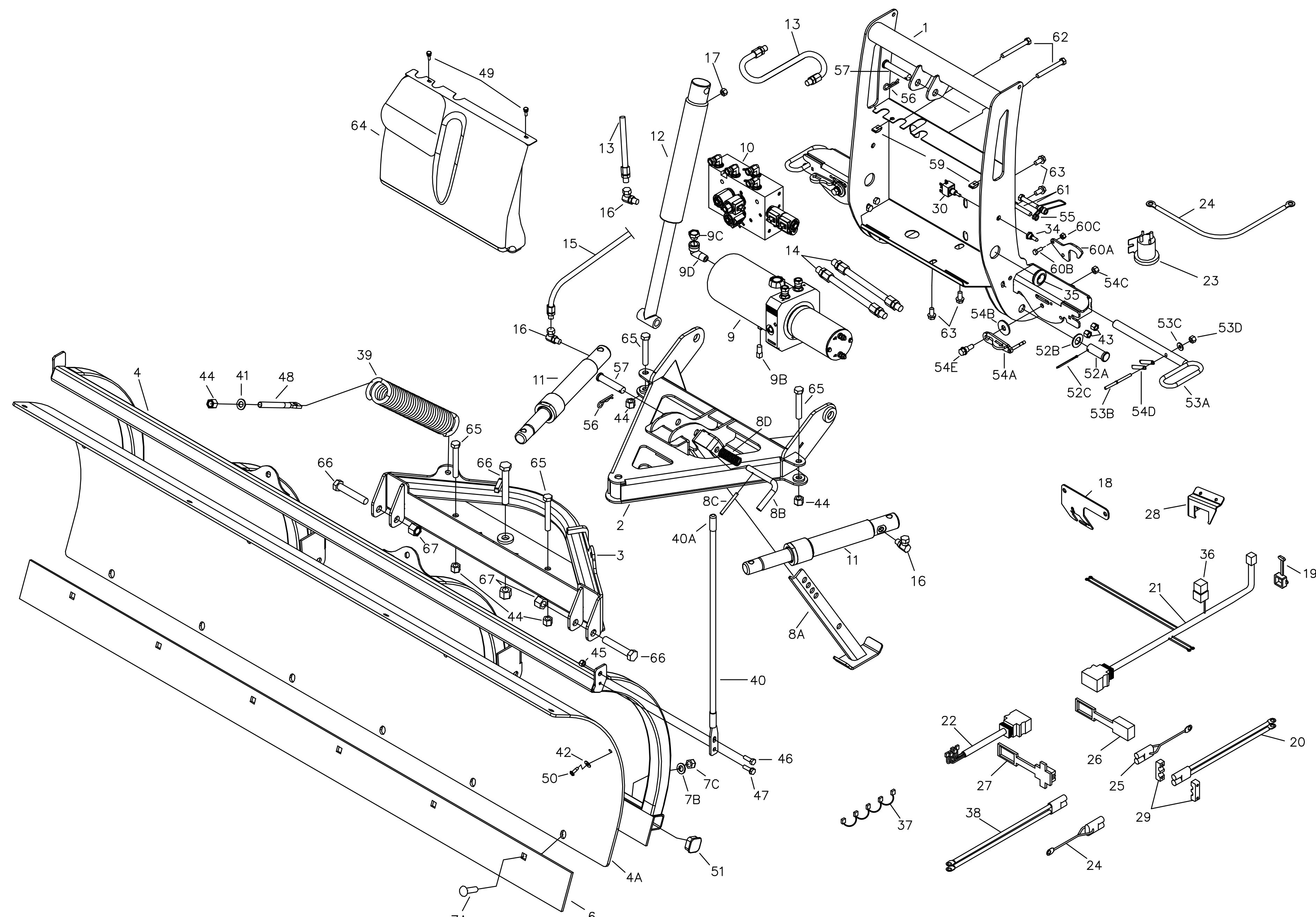
# UTV STRAIGHT-BLADE PLOWS

## PARTS EXPLOSION

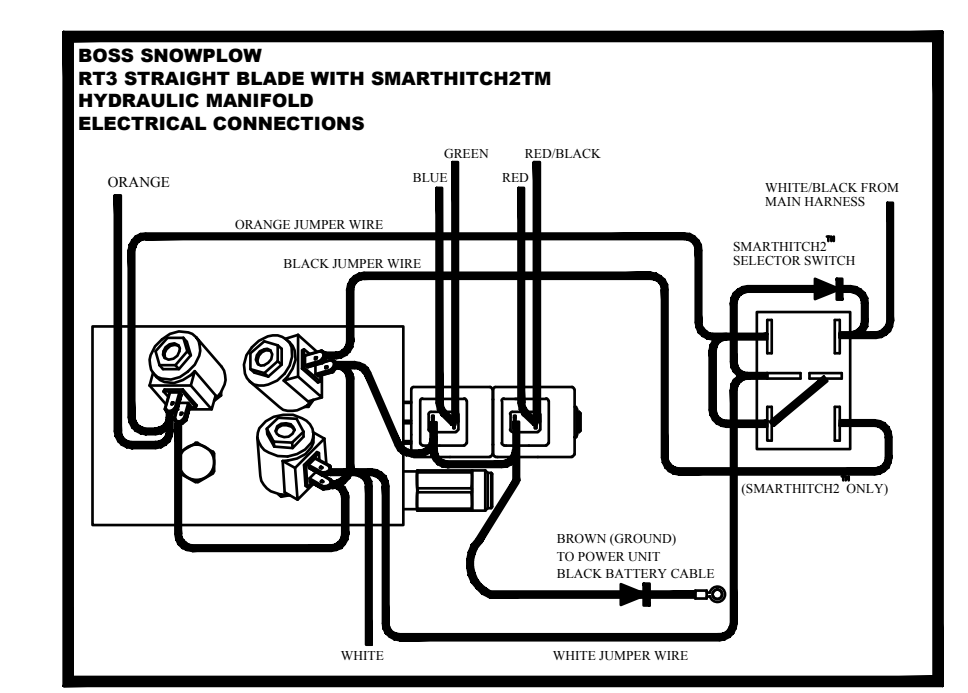
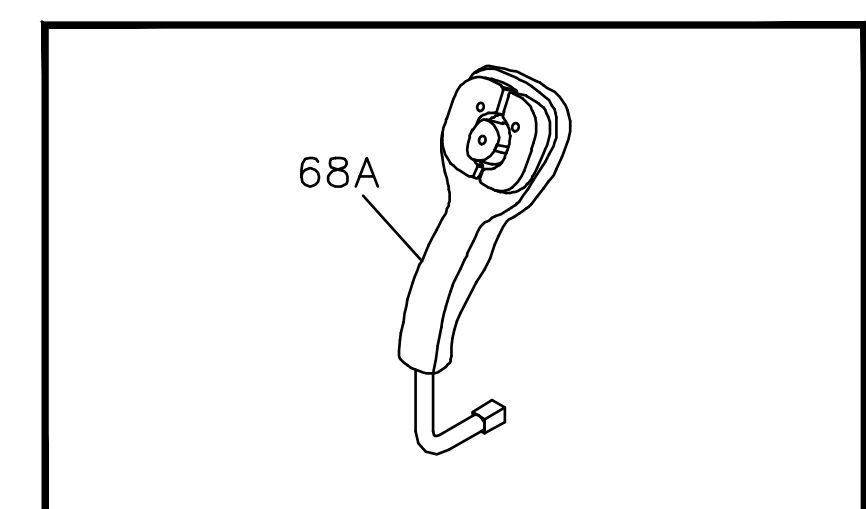
### 2015-2016



MAIN ASSEMBLIES		
1	Coupler Assembly	CPA12150
2	Pushframe Assembly	STB12250
3	Pushframe Attachment Bar	STB12350
4	Blade (60" w/ Cutting Edge & Skin)	STB12465
4A	Skin, 60" Sport Duty	STB09406
CUTTING EDGE		
6	Cutting Edge (60")	STB12451
7	Carriage Bolt Set	BAX00034
7A	Includes: (10) Carriage Bolt 1/2" - 13 X 1-3/4" GR5	
7B	(10) Washer, 1/2" Hardened	
7C	(10) Nut, Oval Top Lock 1/2"	
PLOW COMPONENTS		
8	Kickstand Kit	MSC12813
8A	Includes: (1) Kickstand	
8B	(1) Handle	
8C	(1) Roll Pin	
8D	(1) Spring	
HYDRAULIC POWER UNIT		
9	Hydraulic Pump - Power Unit (Serial # 180086 and Up)	HYD12239
Includes the Following Commonly Ordered Parts (HYD12239)		
9A	Hydraulic Pump Filler Cap	HYD01636
9B	Hydraulic Reservoir Drain Plug	HYD01712
9C	Fill Cap (For Street Elbow)	HYD04810
9D	Street Elbow (Not included with HYD12239)	HYD04809
9E	Hydraulic Pump Motor	HYD12245
9F	Hydraulic Pump	HYD09330
9G	Seal Kit, Power Unit	HYD09366
9H	Relief Valve (2,000 PSI)	HYD09365
HYDRAULIC VALVE ASSEMBLY		
10	Hydraulic Valve Assembly, SmartHitch Ready, UTV, (Blue)	HYD12270
10A	Includes: Hydraulic Valve, L/R Lower Cartridge	HYD01637
10B	Hydraulic Valve, Angle Cartridge (3 Position - 4 Way Spool)	HYD07100
10C	Hydraulic Valve, SmartHitch Attach	HYD07047
10D	Relief Valve, Hydraulic Crossover (3,800 PSI)	HYD07027
10E	Check Valve	HYD01640
10F	Coil, Hydraulic Valve - used with valve HYD01637	HYD01638
10H	Nut, Coil - used with valve HYD01637 & HYD07029	HYD07059
10I	Orifice Disk	HYD12820
10K	Orifice Plug	HYD12821
10L	Nut, Coil - used with valve HYD07047	HYD07060
CYLINDERS		
11	Hydraulic Angle Cylinder	HYD12207
12	Hydraulic Lift Cylinder	HYD09388
HOSES & FITTINGS		
14	Hydraulic Hose 1/4" X 1/4", (1/4" ORB X 1/4" MNPT)	HYD09067
15	Hydraulic Hose (Angle) 1/4" X 3/8", (1/4" MNPT X 1/4" MNPT)	HYD12825
16	Hydraulic Swivel Fitting, 90 Degree (Manifold) (1/4" ORS X 1/4" FPS)	HYD01620
17	Breather Vent Fitting 1/4" MP (w/o SmartHitch2)	HYD07078
ELECTRICAL		
18	Plug Bracket, (Control Plug)	MSC12634
19	Weather Cap (Control Plug)	MSC12830
20	Power/Ground Cable (Vehicle Side)	HYD12214
21	Control Harness (Vehicle Side)	MSC12211
22	Control Harness (Plow Side)	MSC12212
23	Solenoid, Hydraulic Pump	HYD01633
24	Battery Cable, 26"	HYD12814
25	Power/Ground Cable Dust Cap/Plug (Vehicle & Plow)	MSC03721
26	Weather Plug for Control Harness (Vehicle Side)	MSC03743
27	Weather Plug for Control Harness (Plow Side)	MSC03744
28	Control Harness Mounting Bracket	MSC12633
29	Power/Ground Cable Mounting Bracket	MSC03491
30	SmartHitch2 Toggle Switch Kit (Includes Switch & Jumpers)	MSC04744
31	Switch, SmartHitch2 Toggle	MSC01889
32	Wiring Harness, SmartHitch2 (Orange)	MSC04672
33	Wiring Harness, SmartHitch2 (White and Black)	MSC04673
34	Switch Boot, SmartHitch2	MSC04238
35	Rubber Grommet - for control harness in coupler tower	MSC03456
36	Relay, 12V	MSC04294
37	Ground Strap, Straight Blade	MSC08851
38	Power/Ground Cable (Plow Side)	HYD12215
CONTROLLER		
68	SmartTouch2, Hand Held Control, UTV STB Control Kit	STB12065
68A	Includes: STB Hand Held Control	STB09602
	Swivel Mount Kit	MSC05058



BLADE HARDWARE		
39	Spring, Trip	MSC01509
40	Blade Guide, Set of Two	MSC01870
40A	Includes: (2) Blade Guide Tip, Set of Two	MSC01562
41	Washer, 1/2" Flat YZN (Trip Spring)	HDW01729
42	Washer, 1/4" Flat YZN (Skin to Blade)	HDW01750
43	Nut, Self-Locking 3/8" - 16 YZN (Torsion Springs)	HDW01720
44	Nut, Lock 1/2" NC NYNINS YZN (Trip Springs)	HDW01748
45	Nut, Nylon Locking 5/16" - 18 YZN (Blade Guides)	HDW01714
46	Hex Head Cap Screw, 5/16" - 18 X 1" GR5 YZN (Blade Guide to Blade)	HDW01713
47	Hex Head Cap Screw, 5/16" - 18 X 1" Washer HD, Spinlock, Self-Tapping, GR5	HDW09576
48	Spade Bolt, 1/2" X 5-1/2" (To Hole Center), YZN (Trip Spring)	HDW02004
49	Thumb Screw, 10-24 X 1/2" (Hydraulic Cover)	HDW05574
50	Screw, 1/4" - 20 X 3/4", Phillips Pan Head, Self-Tapping, YZN (Skin to Blade)	HDW09559
51	End Cap	MSC09561
COUPLER HARDWARE		
52	Coupler Pivot Pin, Kit	MSC09586
52A	Includes: (1) Pivot Pin 3/4" X 2" YZN	
52B	(1) Washer, 3/4" YZN	
52C	(1) Cotter Pin, 3/16" X 2-1/2" YZN	
53	Coupler Spring Pin Kit	MSC09587
53A	Includes: (1) Coupler Spring Pin	
53B	(1) 1/4" Stop Pin YZN	
53C	(1) Nylon Washer, 1/4"	
53D	(1) Nut, Nylon Locking, 1/4" - 20 YZN	
54	Coupler Spring Pin Release Kit	MSC04676
54A	Includes: (1) Coupler Spring Pin Release Handle (left or right)	
54B	(1) Coupler Spring Release Nylon Washer	
54C	(1) Nut, 3/8" Locking YZN	
54D	(2) Coupler Spring Pin Release Springs	
54E	(1) Shoulder Bolt w/Flange, 3/8" - 16 YZN	
55	Spring, SmartHitch Torsion	MSC04227
56	Hamrin Cotter, #16 YZN	HDW05544
57	Clevis Pin, 3/8" X 3" YZN	HDW05614
58	Washer, 3/8" Star YZN (Manifold Ground to Coupler)	HDW04670
59	Nut, Cage 10 - 24 P/LT Black (Hydraulic Cover)	HDW05546
60	Latch Kit	MSC04687
60A	Includes: (1) Latch	
60B	(1) Hex Head Cap Screw, 1/4" - 20 X 3/4" GR5 YZN	
60C	(1) Nut, Nylon Locking 1/4" - 20 YZN	
61	Hex Head Cap Screw, 3/8" - 16 X 2" GR5 YZN (SmartHitch Torsion Spring)	HDW05515
62	Hex Head Cap Screw, 3/8" - 16 X 3-1/4" GR5 YZN (Manifold to Coupler)	HDW05573
63	Hex Head Cap Screw, 3/8" - 16 X 3/4" Washer HD Spinlock GR5 YZN (Pump to Coupler)	HDW05502
64	Hydraulic Enclosure Cover	CPA04423
PUSHFRAME/PUSHFRAME ATTCH BAR HARDWARE		
65	Hex Head Cap Screw, 1/2" - 13 X 3-1/2" GR5 YZN (Angle Cylinders)	HDW01779
66	Hex Head Cap Screw, 5/8" - 11 X 4" GR5 YZN (Pushframe to Attachment Bar & Blade)	HDW01706
67	Nut, Oval Top Lock 5/8" - 11 YZN (Pushframe to Attachment Bar to Blade)	HDW01709
OPTIONS & ACCESSORIES		
	Dielectric Grease (1 oz.)	MSC03423
	(2) Boss High Performance Hydraulic Fluid - 1 Quart	HYD01835
	Boss High Performance Hydraulic Fluid - Case (12 Quarts per) - Optional	HYD01794
	Plow Shoe Kit - Optional	MSC09588
	Sight System - Optional	MSC09644
	Deflector Kit - Optional	MSC04587
	Cuttingedge, Polyurethane, 6' X 6" X 1"	STB09230



SLS12851-3

BOSS Products reserves the right under its continuous product improvement policy to change construction or design details and furnish equipment when so altered without reference to illustrations or specifications used herein.

Patent: www.ttcopats.com