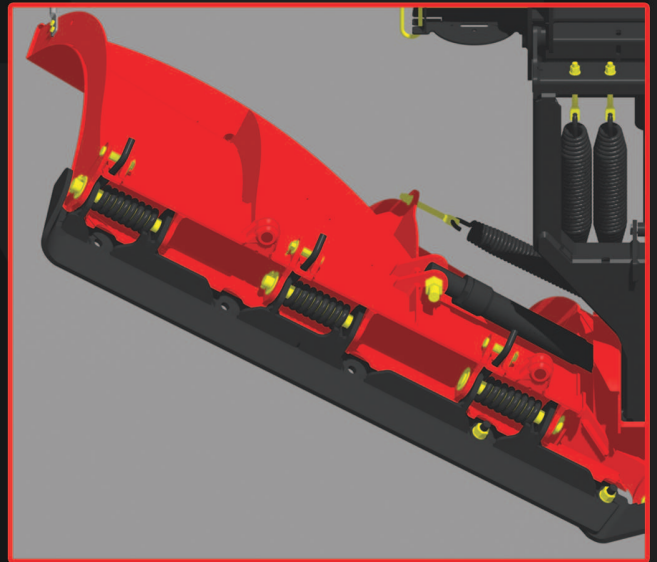


DUAL TRIP V-PLOW

DXT

NEW FOR 2012 : DXT 10' V-PLOW

THE BOSS POWER-V DXT PLOWS. The most fully featured snowplows that THE BOSS has ever produced. The DXT features a dual-trip design, which combines both trip-edge and full moldboard trip technologies. The 10' multi-position design features 45" flared blade wings with an enhanced curl that can quickly and efficiently switch positions to break trail, windrow or stack snow - a lot of snow.



- Heavy-duty pushframe
- Cross-bracing and reinforced moldboard to minimize blade twisting
- 45" flared blade wings with enhanced curl design
- 10' multi-position design
- Powder coat finish with baked-on paint finish with zinc primer to resist corrosion
- Boss SmartHitch2 attachment system standard
- Built-in curb guards and snow catcher

DXT

SPECIFICATIONS :

BLADE WIDTH STRAIGHT	120" (304 cm)
BLADE WIDTH V	107" (272 cm)
BLADE WIDTH (SCOOP)	102" (259 cm)
PLOWING WIDTH @ 30-DEGREE ANGLE	104" (264 cm)
BLADE HEIGHT	35" (88 cm) at center, 45" (114 cm) at end
BLADE THICKNESS	11 ga-steel
CUTTING EDGE DIMENSIONS	1/2" X 6" (1.27 cm X 15.24 cm)
REINFORCEMENT RIBS	8 Vertical, 2 Diagonal
PLOW SHOES	Optional
TRIP SPRINGS (MOLDBOARD)	4 Extension Springs
TRIP SPRINGS (CUTTING EDGE)	3 Torsion Springs (per blade half)
ANGLE CYLINDERS	2" x 10" (5.08 cm x 25.4 cm)
LIFT CYLINDERS	2-1/4" x 1-1/8" x 12" (5.72 cm x 2.86 cm x 30.48 cm)
ATTACHMENT SYSTEM	SmartHitch 2
PLOW WEIGHT	1205 lbs (546.58kg)
PLOW LIGHTS	SmartLight 2

- SPECIFICATIONS MAY CHANGE



FLARED WINGS



TRIP EDGE



TRIP MOLDBOARD



BOSS SNOWPLOW PRODUCTS ARE
DESIGNED AND MANUFACTURED
IN AN APPROVED ISO 9001:2008
REGISTERED FACILITY.

BOSS PRODUCTS, 2010 THE BOSS WAY., P.O. BOX 787, IRON MOUNTAIN, MI 49801-0787

BOSS PRODUCTS ARE COVERED UNDER ONE OR MORE OF THE FOLLOWING PATENT NUMBERS: U.S. PATENTS:
PATENTS PENDING
©2012 BOSS PRODUCTS/NORTHERN STAR INDUSTRIES, INC. ALL RIGHTS RESERVED. PRINTED IN U.S.A.