

Specifications

| Models | Z-45/25 RT | | Z-45/25J RT | |
|------------------------------------|-------------|---------|-------------|---------|
| Measurements | US | Metric | US | Metric |
| Working height maximum* | 51 ft 10 in | 15.97 m | 52 ft 1 in | 16.05 m |
| Platform height maximum | 45 ft 10 in | 13.97 m | 46 ft 1 in | 14.05 m |
| Horizontal reach maximum | 24 ft 7 in | 7.49 m | 24 ft 8 in | 7.52 m |
| Up and over clearance maximum | 23 ft 5 in | 7.14 m | 23 ft 5 in | 7.14 m |
| A Platform length | 2 ft 6 in | 0.76 m | 2 ft 6 in | 0.76 m |
| B Platform width | 6 ft | 1.83 m | 6 ft | 1.83 m |
| C Height - stowed | 7 ft | 2.13 m | 7 ft | 2.13 m |
| D Length - stowed | 17 ft 8 in | 5.38 m | 21 ft 10 in | 6.65 m |
| E Width | 7 ft 6 in | 2.29 m | 7 ft 6 in | 2.29 m |
| F Wheelbase | 6 ft 8 in | 2.03 m | 6 ft 8 in | 2.03 m |
| G Ground clearance - center | 1 ft 2.5 in | 0.37 m | 1 ft 2.5 in | 0.37 m |

Productivity

| | | | | |
|--------------------------------|----------------------|-----------|----------------------|-----------|
| Lift capacity | 500 lbs | 227 kg | 500 lbs | 227 kg |
| Platform rotation | 180° | | 160° | |
| Vertical Jib rotation | — | | 135° | |
| Turntable rotation | 355° non-continuous | | 355° non-continuous | |
| Turntable tailswing | zero | | zero | |
| Drive speed - stowed | 4.5 mph | 7.24 km/h | 4.5 mph | 7.24 km/h |
| Drive speed - raised ** | 0.61 mph | 1.0 km/h | 0.61 mph | 1.0 km/h |
| Gradeability - 2WD - stowed*** | 30% | | 30% | |
| Gradeability - 4WD - stowed*** | 45% | | 45% | |
| Turning radius - inside | 5 ft 6 in | 1.68 m | 5 ft 6 in | 1.68 m |
| Turning radius - outside | 14 ft 9 in | 4.50 m | 14 ft 9 in | 4.50 m |
| Controls | 12 V DC proportional | | 12 V DC proportional | |
| Tires | 315/55 D20 | | 315/55 D20 | |

Power

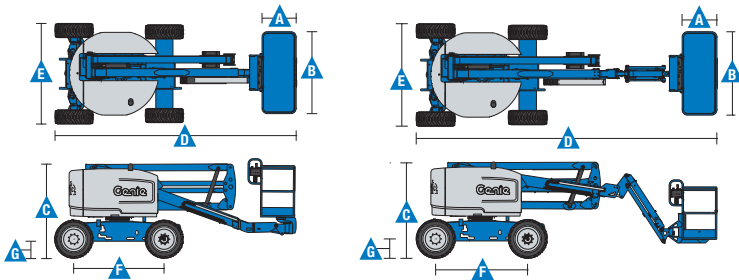
| | | | | |
|-------------------------|--|--------|---------|--------|
| Power source | Ford MSG425 4 cylinder gas/LPG 60 hp (44.7 kW) Deutz diesel D2011L03i 3 cylinder diesel 48 hp (35.8 kW) Perkins diesel 404-D22 4 cylinder diesel 51 hp (38 kW) | | | |
| Auxiliary power unit | 12 V DC | | 12 V DC | |
| Hydraulic tank capacity | 22 gal | 83 L | 22 gal | 83 L |
| Fuel tank capacity | 17 gal | 64.4 L | 17 gal | 64.4 L |

Weight****

| | | | | |
|-----|------------|---------|------------|---------|
| 2WD | 13,100 lbs | 5942 kg | 13,200 lbs | 5987 kg |
| 4WD | 13,400 lbs | 6078 kg | 13,500 lbs | 6123kg |

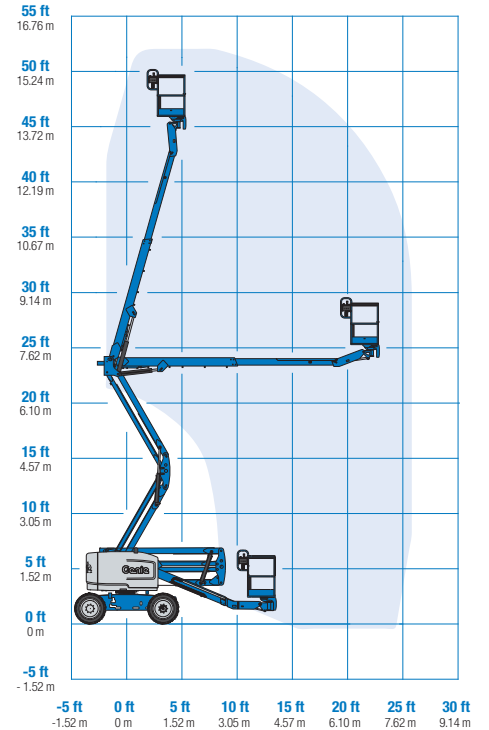
Standards Compliance

ANSI A92.5, CSA B354.4, EN 280, AS 1418.10

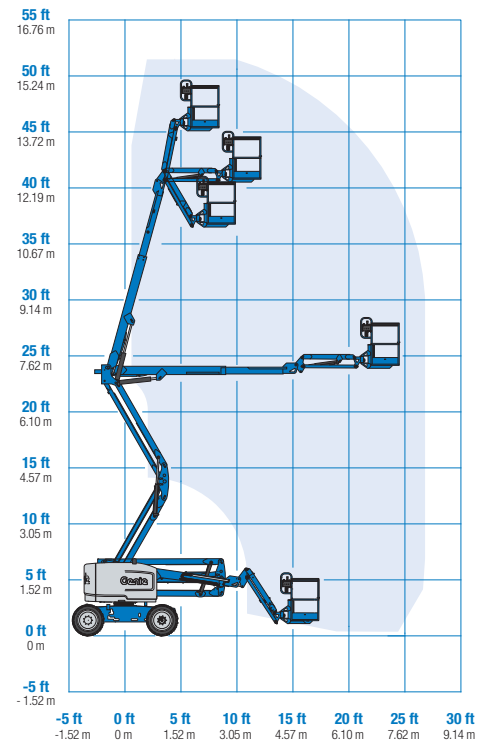


* The metric equivalent of working height adds 2 m to platform height. U.S. adds 6 ft to platform height.
** In lift mode (platform raised), the machine is designed to operate on firm, level surfaces only.
*** Gradeability applies to driving on slopes. See operator's manual for details regarding slope ratings.
**** Weight will vary depending on options and/or country standards.

Range Of Motion Z-45/25 RT



Range Of Motion Z-45/25J RT



Features

Standard Features

Measurements

Z-45/25 RT

- 51 ft 10 in (15.97 m) working height
- 24 ft 7 in (7.49 m) horizontal reach
- 23 ft 5 in (7.14 m) up and over clearance
- Up to 500 lbs (227 kg) lift capacity

Z-45/25J RT

- 52 ft 1 in (16.05 m) working height
- 24 ft 8 in (7.52 m) horizontal reach
- 23 ft 5 in (7.14 m) up and over clearance
- Up to 500 lbs (227 kg) lift capacity

Productivity

- Self-leveling platform
- Hydraulic platform rotation
- Fully proportional controls
- Drive enable
- AC power cord to platform
- Horn
- Hour meter
- Tilt alarm
- Descent alarm
- 355° non-continuous turntable rotation
- Positive traction drive
- Two speed wheel motors

Power

- 12 V DC auxiliary power
- Engine protection package
- Deutz intake air heater
- Swing out engine tray

Easily Configured To Meet Your Needs

Platform Options

- Steel 6 ft (1.83 m) (standard)
- Steel 6 ft (1.83 m) tri-entry

Jib Options

- Non-jib
- 5 ft (1.52 m) jib boom

Power Options

- Ford gas/LPG 60 hp (44.7 kW)
- Deutz diesel 48 hp (35.8 kW)
- Perkins diesel 51 hp (38 kW)

Drive Options

- 2WD
- 4WD

Axle Options

- Active oscillation (4WD)
- Non-oscillating (2WD)

Tire Options

- Rough terrain air-filled (standard)
- Rough terrain foam-filled
- Rough terrain non-marking (air or foam-filled)
- High flotation
- Sealant treated air-filled

Options & Accessories

Productivity

- Platform swing gate
- Half mesh platform inserts with swing gate
- Platform top auxiliary rail
- Air line to platform
- Thumb rocker steer
- Fire resistant hydraulic oil
- Biodegradable hydraulic oil
- Aircraft protection package*
- Hostile environment package
- Tool tray
- Fluorescent tube caddy
- Pipe cradle (pair)
- Alarm package (Beacon and travel)
- Panel cradle package
- Light package
- Lockable platform control box cover
- Tow package
- Operator Protective Structure

Power

- Engine gauge package
- AC generator packages (110V/60Hz - 220V/50Hz, 2200W)
- Cold Weather Packages
- Diesel scrubber/spark arrestor muffler (catalytic muffler)
- LPG tank 33.5 lbs (15.19 kg) capacity



* Reduces platform capacity to 440 lbs (only available on jib models)

Genie United States

18340 NE 76th Street
P.O. Box 97030
Redmond, Washington 98073-9730
Telephone +1 (425) 881-1800
Toll Free in USA/Canada +1 (800)-536-1800
Fax +1 (425) 883-3475

Genie Europe

The Maltings
Wharf Road
Grantham NG31 6BH
UK
Telephone +44 (0)1476 584333
Fax +44 (0)1476 584334
Email: AWP-InfoEurope@terex.com

Distributed By:

Effective Date: January, 2013. Product specifications and prices are subject to change without notice or obligation. The photographs and/or drawings in this document are for illustrative purposes only. Refer to the appropriate Operator's Manual for instructions on the proper use of this equipment. Failure to follow the appropriate Operator's Manual when using our equipment or to otherwise act irresponsibly may result in serious injury or death. The only warranty applicable to our equipment is the standard written warranty applicable to the particular product and sale and we make no other warranty, express or implied. Products and services listed may be trademarks, service marks or trade names of Terex Corporation and/or their subsidiaries in the USA and many other countries. Genie is a registered trademark of Terex South Dakota, Inc. © 2013 Terex Corporation.