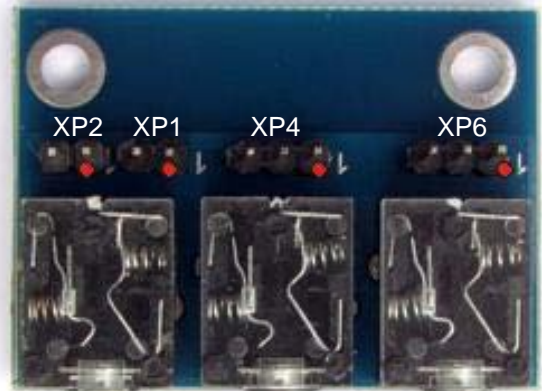
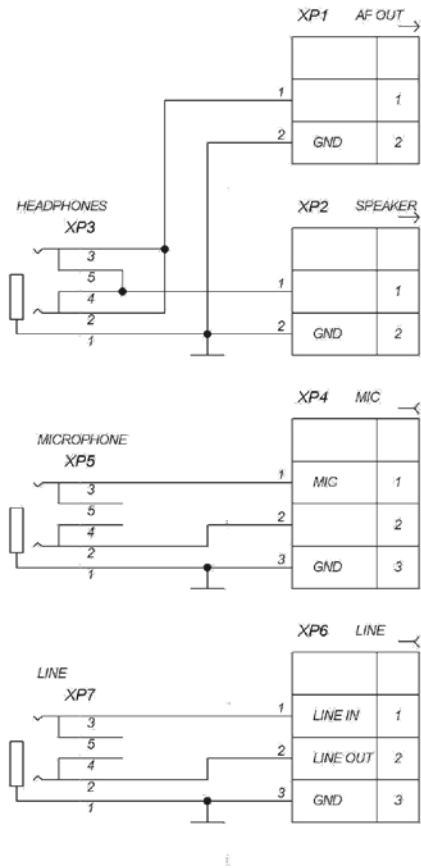


De board connectors

Punt ● Is contactpin 1



XP3 HEADPHONES XP5 MIC XP7 LINE IN/OUT

Afmetingen: 40x30 mm

