

Y-Strainer – Flanged Ends

Fig. NSYS-FF

Valve Standard

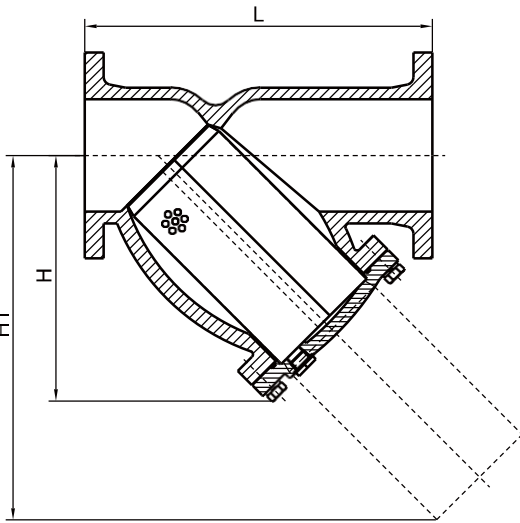
Conforms to AWWA
C550

Working pressure

365 PSI

Connection Ends

PN10/16/25



Part Name	Material	Specification
Body	Ductile Iron	A536 65-45-12
Cover	Ductile Iron	A536 65-45-12
Screen	Stainless steel	AISI 304
Gasket	EPDM	
Plug	Carbon Steel	

SIZE	mm	50	65	80	100	125	150	200	250	300
	inch	2	2½	3	4	5	6	8	10	12
L	mm	203	254	260	308	398	472	550	654	762
H	mm	132	158	175	202	290	334	391	460	590
D	mm	195	240	270	320	425	495	570	700	840



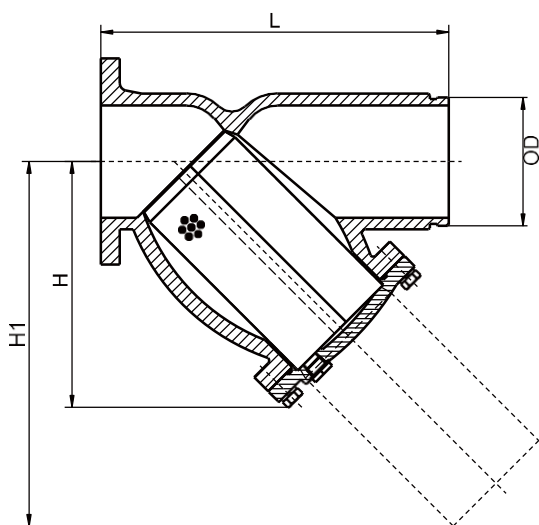
Y-Strainer – Flanged x Grooved

Fig. NSYS-FG

Valve Standard
Conforms to AWWA
C550

Working pressure
365 PSI

Connection Ends
PN10/16/25



Part Name	Material	Specification
Body	Ductile Iron	A536 65-45-12
Cover	Ductile Iron	A536 65-45-12
Screen	Stainless steel	AISI 304
Gasket	EPDM	
Plug	Carbon Steel	

SIZE	mm	50	65	80	100	125	150	200	250	300
	inch	2	2½	3	4	5	6	8	10	12
L	mm	230	254	272,4	308	398	472	550	654	762
H	mm	130	158	175	202	290	334	391	460	590
H1	mm	195	240	270	320	425	495	570	700	840
OD	mm	60,3	76,1	88,9	114,3	139,7	168,3	219,1	273	323,9



Y-Strainer - Grooved

Fig. NSYS-GG

Valve Standard

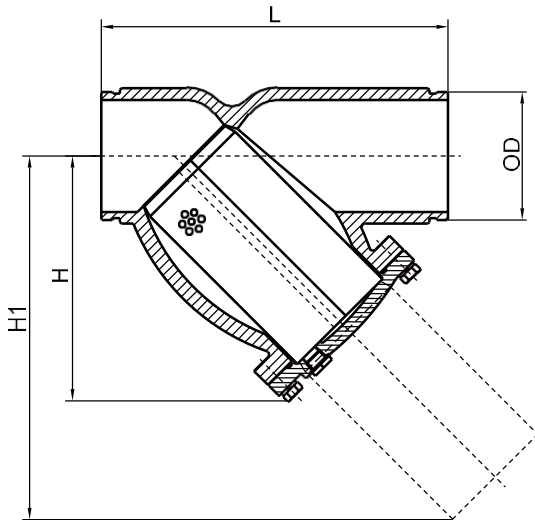
Conforms to AWWA
C550

Working pressure

365 PSI

Connection Ends

PN10/16/25



Part Name	Material	Specification
Body	Ductile Iron	A536 65-45-12
Cover	Ductile Iron	A536 65-45-12
Screen	Stainless steel	AISI 304
Gasket	EPDM	
Plug	Carbon Steel	

SIZE	mm	50	65	80	100	125	150	200	250	300
	inch	2	2½	3	4	5	6	8	10	12
L	mm	230	254	272,4	308	398	472	550	654	762
H	mm	130	158	175	202	290	334	391	460	590
H1	mm	195	240	270	320	425	495	570	700	840
OD	mm	60,3	76,1	88,9	114,3	139,7	168,3	219,1	273	323,9