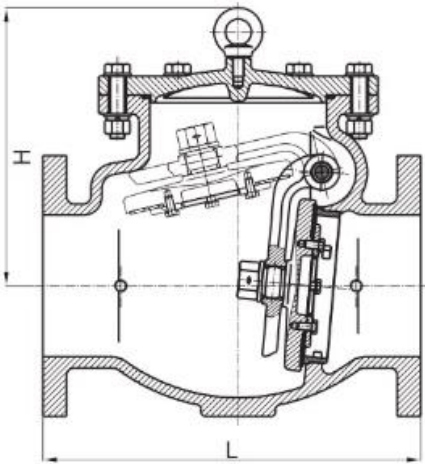




Swing Check valve - Flanged Ends

Fig. NSC-F

Valve Standard	Working pressure	Connection Ends
Conforms to AWWA C508	365 PSI	ANSI B16.1
Clear Waterway		EN1092-2
		PN10/PN16/PN25



Part Name	Material	Specification
Body	Ductile Iron	A536 65-45-12
Cover	Ductile Iron	A536 65-45-12
Clapper	Ductile Iron	A536 65-45-12
Clapper Arm	Ductile Iron	A536 65-45-12
Disc Seals	EPDM	
Hinge Pin	Stainless Steel	AISI 304
Seat	Bronze	ASTM B62
	Stainless Steel	AISI 304

SIZE	mm	50	65	80	100	125	150	200	250	300
	inch	2	2½	3	4	5	6	8	10	12
L	mm	203	254	279	330	356	406	495	559	660
	inch	8	10	11	13	14	16	19.5	22	26
H	mm	122	133	136.5	219.5	296	298.5	357	410	463
	inch	4.80	5.23	5.37	8.64	11.65	11.75	14.06	16.14	18.31



Swing check valve with plug – Grooved

Fig. NSC-GP

Features

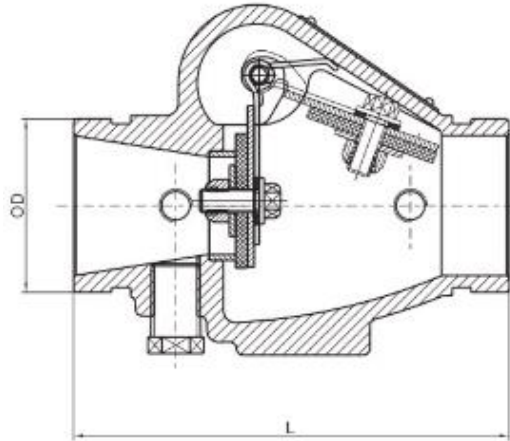
Low pressure drop
Convenient to install

Working pressure

365 PSI

Connection Ends

AWWA C 606
VDS2100/AS2638.2



Part Name	Material	Specification
Body	Ductile Iron	ASTM A536 65-45-12
Seat	Bronze	ASTM B62 C83600
Clapper	Q235+SS304+EPDM	
Clapper Arm	Stainless Steel	ASTM A351 CF8
Washer	Stainless Steel	AISI 304
Hexagonal Slot Thin Nut	Stainless Steel	AISI 304
Split Pin	Stainless Steel	AISI 304

SIZE	mm	50	65	80	100	125	150	200	250	300
	inch	2	2½	3	4	5	6	8	10	12
L	mm	169	203	213	245	267	292	356	432	495
OD	mm	60,3	76.1	88,9	114,3	139.7	168.3	219,1	273	323,8



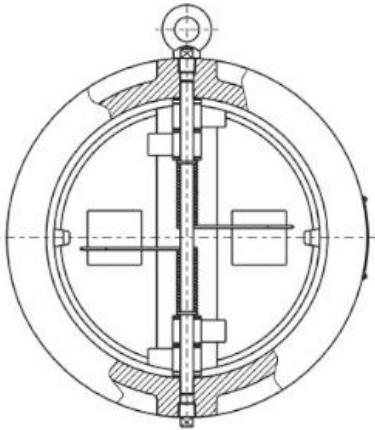
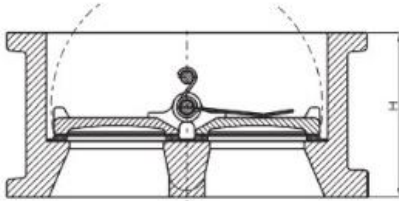
Wafer type check valve

Fig. NSC-W

Valve Standard
Conforms to API 594

Working pressure
300 PSI

Connection Ends
ANSI B16.1 Class125/150



Part Name	Material	Specification
Body	Cast Iron	A126 Class B
	Ductile Iron	A536 65-45-12
Disc	Ductile Iron	A536 65-45-12
	Aluminum Bronze	B584 C95400
	Stainless Steel	A351 CF8
Stem	Stainless Steel	AISI 316
Seat-Ring	EPDM / NBR	Commercial
Spring	Stainless Steel	AISI 316
	Stainless Steel	AISI 304

SIZE	mm	50	65	80	100	125	150	200	250	300
	inch	2	2½	3	4	5	6	8	10	12
H	mm	54	60	67	67	83	95	127	140	181
	inch	2.13	2.36	2.64	2.64	3.27	3.74	5	5.51	7.13