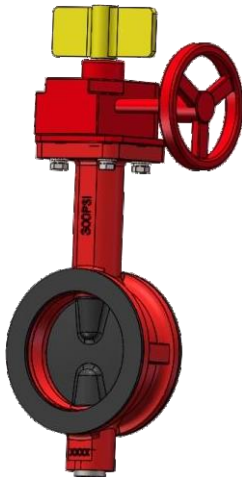


**NORDIC VALVES  
BUTTERFLY VALVES  
-NSBU RANGE**



# Wafer Butterfly Valve with Signal Gear Box

## Fig. NSBU-W



### Descriptions

Nordic Valves Model NSBU-W wafer butterfly valve is the gear operated fitted with visual indicator and supervisory switch. Model NSBU-W butterfly valves are suitable for installation between two flanges which have universal design and can be connected between ASME B16.42 Class150/BS EN 1092-2. Model NSBU-W is listed for 200psi/250psi/300psi. Valve gear is fitted with two internal switches with SPDT contact to supervise valve open or closed position. Model NSBU-W offers minimum flow restriction and pressure loss when used in the fully open position.

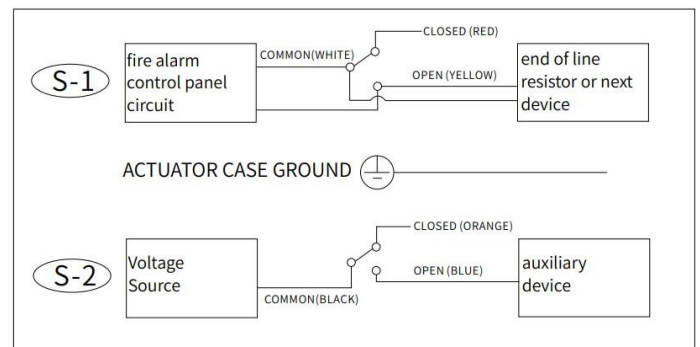
### Technical Specification

- Design Standard: FM1112
- Face-to-face Standard: ISO5752
- Test Standard: FM1112, UL1091
- Connection Standard: BS EN1092-2
- ASME B16.42 Class150
- Working Pressure: 300/250/200psi
- Working Temperature: -10 - 120°C

### Features

- Robust valve body in ductile iron
- Fully encapsulated valve plate
- Fusion bonded epoxy power coating comply with ANSI/AWWA C550
- FM approved for use in fire protection system
- Remote electrical position indicator with two separate micro switches

### Wire Diagram



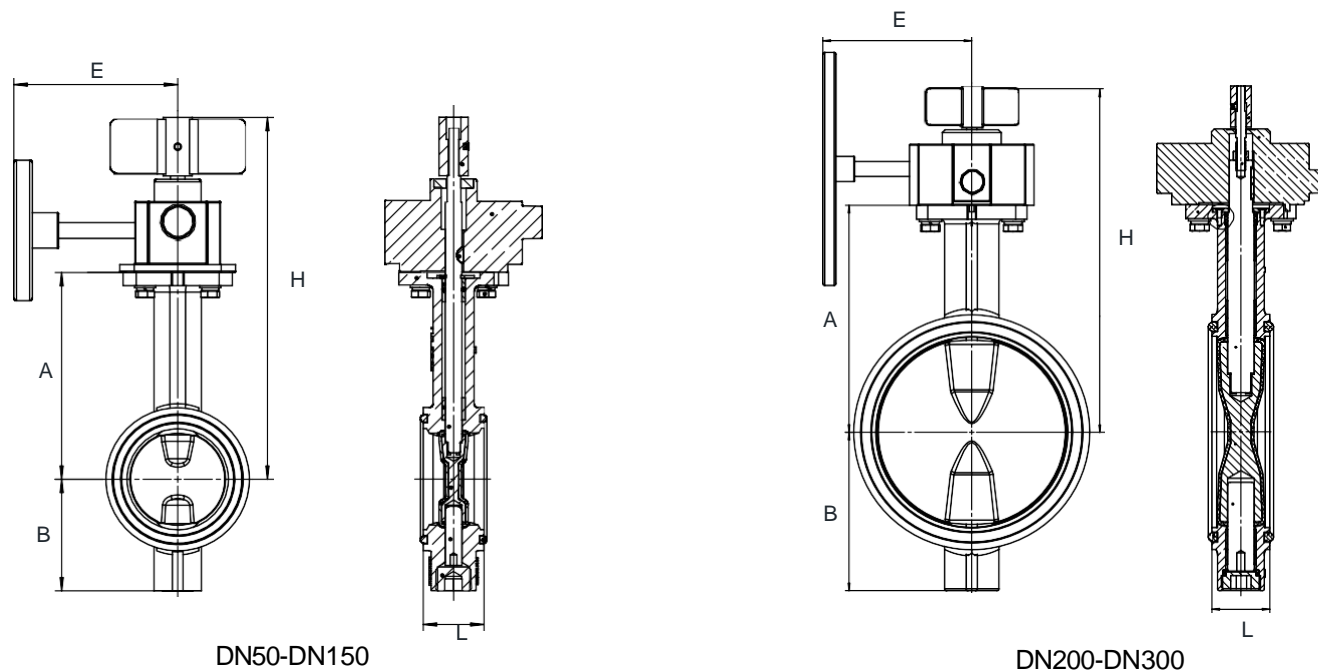
(Valve Fully Open)

Switch1 (S-1): For connection to supervisory circuit of an alarm control panel.

Switch2 (S-2): Auxiliary switch for connection to a local device.

# Wafer Butterfly Valve with Signal Gear Box

Fig. NSBU-W



## Materials

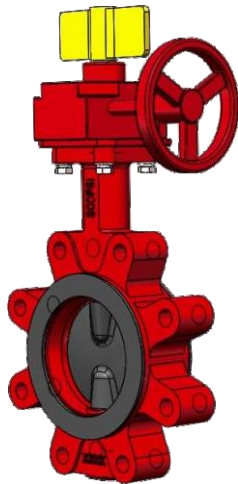
Part	Material	Specification
Body	Ductile Iron	ASTM A536
Disc	EPDM Fully Encapsulated Ductile Iron	ASTM A536+EPDM
Shaft (Upper/Lower)	Stainless Steel	ANSI SS410
O-Ring	EPDM	-
Bushing	Bronze	ASTM B150M C63000
Gland	Galvanized Carbon Steel Surface Passivation	
Washer	Galvanized Carbon Steel Surface Passivation	
Plug	Galvanized Carbon Steel Surface Passivation	
Gear Box Housing	Ductile Iron	ASTM A536
Gear Box Fasteners	Galvanized Carbon Steel Surface Passivation	

## Dimensions (mm)

DN	A	B	L	E	H
DN 50	140.5	72	43	125	258.6
DN 65	152.5	78	46	125	270.6
DN 80	157.5	85	46	125	275.6
DN 100	176	105	52	125	294
DN 125	191	128	56	140	312
DN 150	202.5	140	56	140	322.6
DN 200	243.5	170	62	159	345.5
DN 250	273	205	68	159	401
DN 300	311	258	78	228	437

# Lugged Butterfly Valve with Signal Gear Box

## Fig. NSBU-L



### Descriptions

Nordic Valves Model NSBU-L lugged butterfly valve is the gear operated fitted with visual indicator and supervisory switch. Model NSBU-L butterfly valves are suitable for installation between two flanges and can be connected between ASME B16.42 Class150/BS EN 1092-2. Model NSBU-L is listed for 200psi/250psi/300psi. Valve gear is fitted with two internal switches with SPDT contact to supervise valve open or closed position. Model NSBU-L offers minimum flow restriction and pressure loss when used in the fully open position.

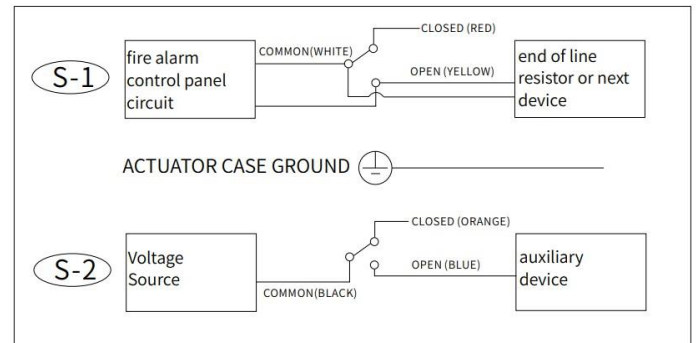
### Technical Specification

Design Standard: FM1112  
Face-to-face Standard: ISO5752  
Test Standard: FM1112, UL1091  
Connection Standard: BS EN1092-2  
ASME B16.42 Class150  
Working Pressure: 300/250/200psi  
Working Temperature: -10 - 120°C

### Features

- Robust valve body in ductile iron
- Fully encapsulated valve plate
- Fusion bonded epoxy power coating comply with ANSI/AWWA C550
- FM approved for used in fire protection system
- Remote electrical position indicator with two separate micro switches

### Wire Diagram



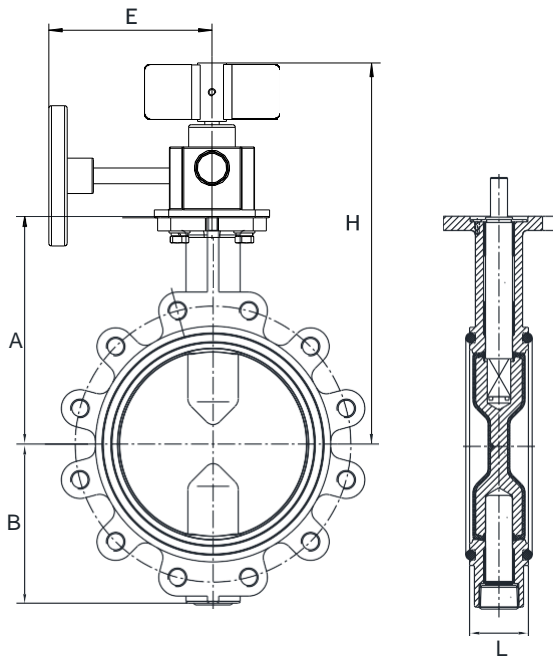
(Valve Fully Open)

Switch1 (S-1): For connection to supervisory circuit of an alarm control panel.

Switch2 (S-2): Auxiliary switch for connection to a local device.

# Lugged Butterfly Valve with Signal Gear Box

## Fig. NSBU-L



### Materials

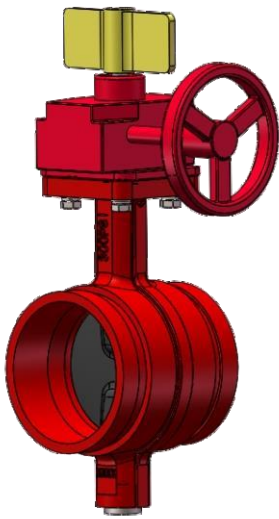
Part	Material	Specification
Body	Ductile Iron	ASTM A536
Disc	EPDM Fully Encapsulated Ductile Iron	ASTM A536+EPDM
Shaft (Upper/Lower)	Stainless Steel	ANSI SS410
O-Ring	EPDM	-
Bushing	Bronze	ASTM B150M C63000
Gland	Galvanized Carbon Steel Surface Passivation	
Washer	Galvanized Carbon Steel Surface Passivation	
Plug	Galvanized Carbon Steel Surface Passivation	
Gear Box Housing	Ductile Iron	ASTM A536
Gear Box Fasteners	Galvanized Carbon Steel Surface Passivation	

### Dimensions (mm)

DN	A	B	L	E	H
DN 50	140.5	78	43	125	258.6
DN 65	152.5	78	46	125	270.6
DN 80	157.5	85	46	125	275.6
DN 100	176	105	52	125	294
DN 125	191	128	56	140	312
DN 150	202.5	140	56	140	322.6
DN 200	243.5	170	62	159	345.5
DN 250	273	205	68	159	401
DN 300	311	258	78	228	437

# Grooved Butterfly Valve with Signal Gear Box

## Fig. NSBU-G



### Descriptions

Nordic Valves Model NSBU-G grooved butterfly valve is the gear operated fitted with visual indicator and supervisory switch. Model NSBU-G butterfly valves are suitable for installation in AWWA C606 grooved end pipeline.

Model NSBU-G is listed for 200psi/250psi/300psi. Valve gear is fitted with two internal switches with SPDT contact to supervise valve open or closed position. Model NSBU-G offers minimum flow restriction and pressure loss when used in the fully open position.

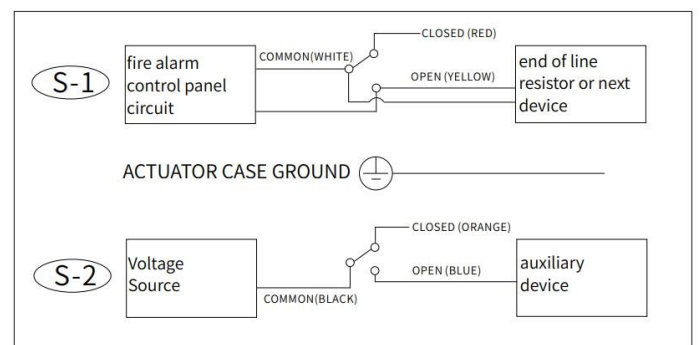
### Features

- Robust valve body in ductile iron
- Fully encapsulated valve disc
- Fusion bonded epoxy power coating comply with ANSI/AWWA C550
- FM approved for use in fire protection system
- Remote electrical position indicator with two separate micro switches

### Technical Specification

- Design Standard: FM1112
- Face-to-face Standard: MSS-SP67
- Long Test Standard: FM1112, UL1091
- Connection Standard: AWWA C606/VDS 2100
- Working Pressure: 300/250/200psi
- Working Temperature: -10 - 120°C

### Wire Diagram



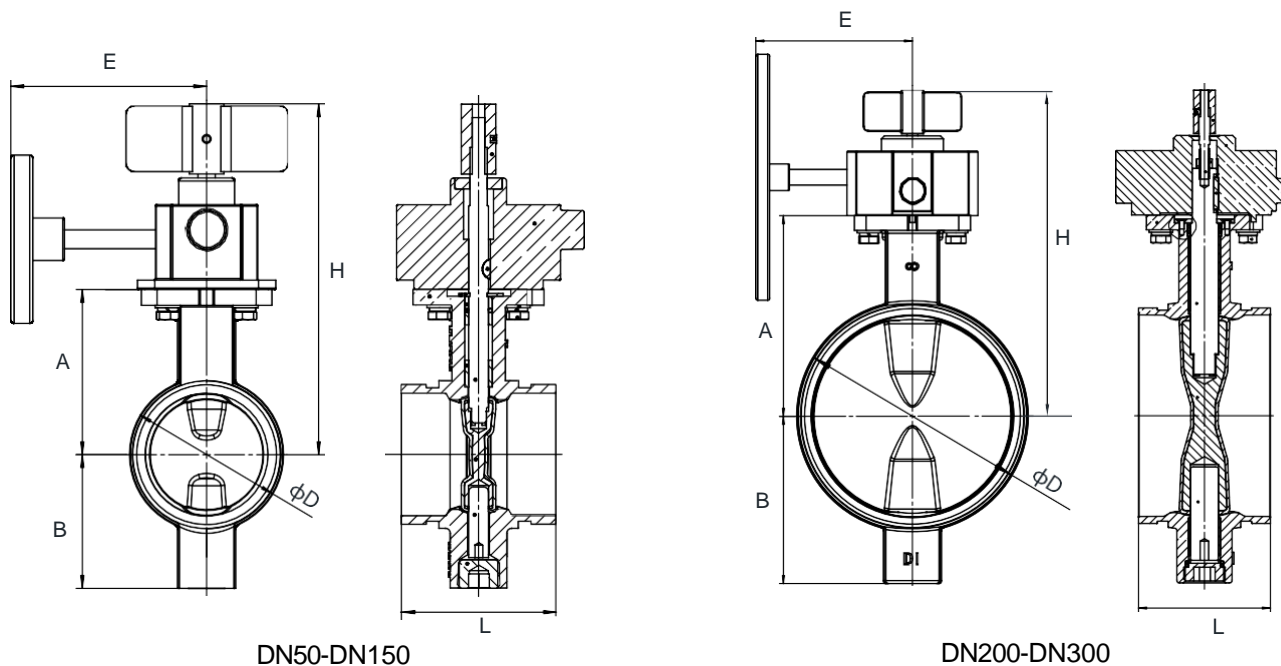
(Valve Fully Open)

Switch1 (S-1): For connection to supervisory circuit of an alarm control panel.

Switch2 (S-2): Auxiliary switch for connection to a local device.

# Grooved Butterfly Valve with Signal Gear Box

Fig. NSBU-G



## Materials

Part	Material	Specification
Body	Ductile Iron	ASTM A536
Disc	EPDM Fully Encapsulated Ductile Iron	ASTM A536+EPDM
Shaft (Upper/Lower)	Stainless Steel	ANSI SS410
O-Ring	EPDM	-
Bushing	Bronze	ASTM B150M C63000
Gland	Galvanized Carbon Steel Surface Passivation	
Washer	Galvanized Carbon Steel Surface Passivation	
Plug	Galvanized Carbon Steel Surface Passivation	
Gear Box Housing	Ductile Iron	ASTM A536
Gear Box Fasteners	Galvanized Carbon Steel Surface Passivation	

## Dimensions (mm)

DN	A	B	E	H	L	$\phi D$
DN 50	95	72	125	213	84.5	60.3
DN 65	98	78	125	216	98	73/76.1
DN 80	105	85	125	223	98	88.9
DN 100	135	105	125	253	116	114.3
DN 125	148	128	140	269	149	139.7/141.3
DN 150	165	140	140	285	147.6	165.1/168.3
DN 200	204	170	159	325	134	219.1
DN 250	245	205	159	373	160	273
DN 300	277.5	258.3	228	403.5	165	323.85