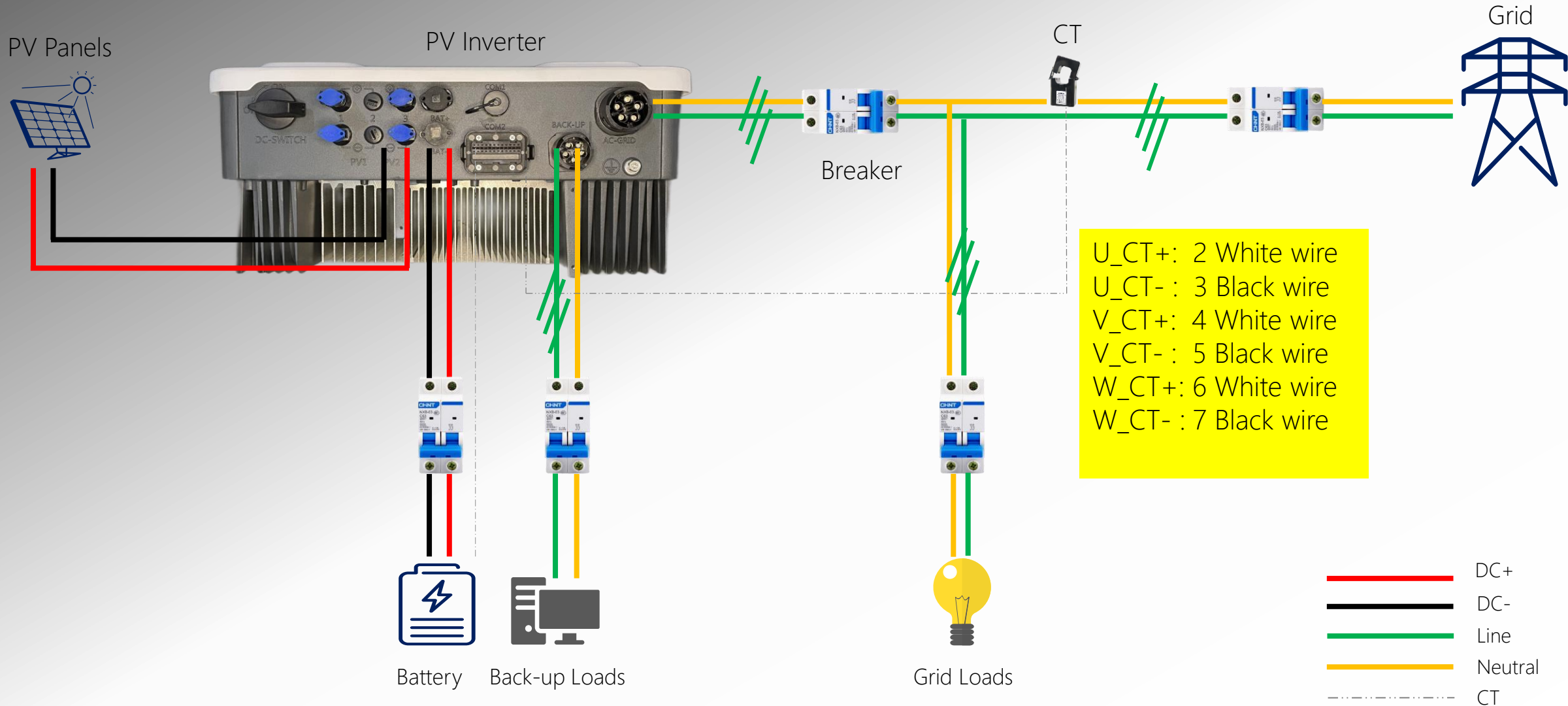


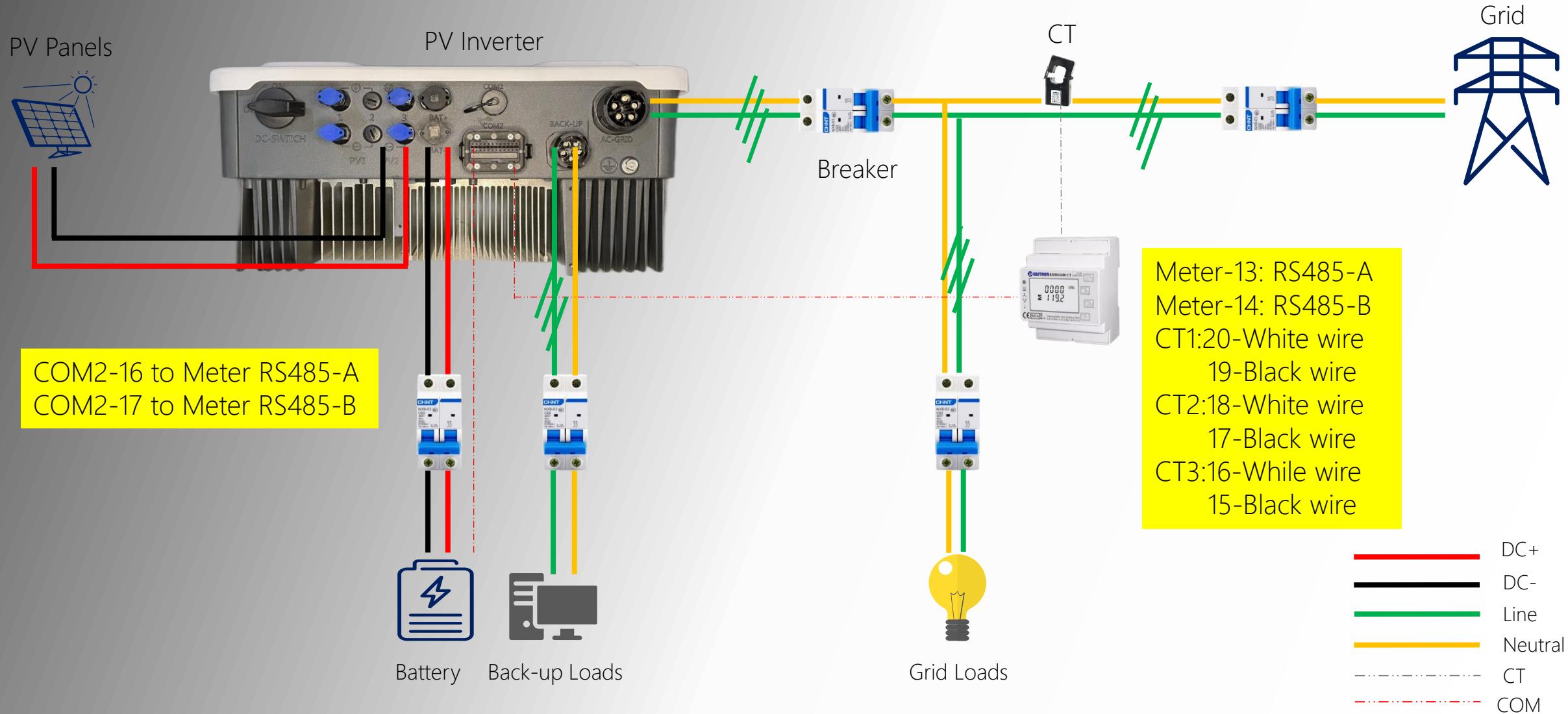
System Overview & Parameters Setting

HHT

HHT System_(CT)



HHT System (Smart meter)



Parameters Setting (Web Portal)

- Click ... and select *Setting*

Overview **Dongles** Inverters Batteries Events Settings

Inverter SN Status

Status	Inverter SN	Inverter Model	Firmware Version	Today Generation [kWh] ↕	Total Generation [kWh] ↕	Inverter Power [W] ↕	Dongles SN	System Name	Operation
Online	BA2090A122900015	HHT-12000	V1.0.0.26	25.73	7639.02	1704	E009901122600094	YFT测试电站-三相储能-Hicloud	...

Total 1 < **1** >

- Detail
- Setting**
- Debug
- FFR
- Firmware Upgrade
- Data

Parameters Setting (Web Portal)

- Setting Active Power Mode

Item	Option
Active Power Control Mode	<i>Meter/CT</i>
Meter Limiting Power	<i>0</i> : No power will feed into grid; <i>-2000</i> : The maximum power that flow to grid will be limited to 2000
Meter Type	Meter SDM630: <i>SDM630</i> ; Meter SDM230: <i>SDM230</i> ; CT: <i>Internal CT</i>

Select the corresponding device that you are using

The screenshot shows the 'Inverters' settings page. The left sidebar has tabs for Overview, Dongles, Inverters (selected), Batteries, Events, and Settings. The main content area is titled 'Parameter Setting(BA2090A122900015)'. Under the 'Active Power Control' section, there are settings for Fixed Active Power, Active Power Control Mode (set to Meter/CT), Meter Limiting Power, Meter Type, System Limit Power, and Meter Limit Mode. A dropdown menu is open for the Active Power Control Mode, showing options: No Used, Fixed Active Power, DRED, Meter/CT (highlighted), and Plant Control.

The screenshot shows the 'Parameter Setting(BA2090A122900015)' page. The left sidebar has tabs for Grid Standard, Grid Protection, Active Power Control (selected), Reactive Power Control, Remote On/Off, and Energy Management. The main content area shows settings for Fixed Active Power, Active Power Control Mode (set to Meter/CT), Meter Limiting Power (set to -2000), Meter Type (set to SDM630), System Limit Power, Meter Limit Mode (set to SDM630), and Startup Loading Slope(%Pa/min) (set to 600). A dropdown menu is open for the Meter Type, showing options: SDM230, SDM630 (highlighted), and Internal CT.

Parameters Setting (Web Portal)

- Setting Battery/Work Mode

Item	Option
Battery Model	<i>NO Battery/Battery Simulator/Dyness(default)/Pylon/Soluna/Aoboet</i>
Work Mode	<i>General mode(default)/Back up mode/Off-grid mode/Feed in priority mode</i>
Backup Limited SOC	<i>10% (default)</i>
Backup Enable	<i>Enable EPS Output (default)---need to enable EPS output if there is load on the backup port</i>

Parameter Setting(BA2090A122900015)

Grid Standard

Grid Protection

Active Power Control

Reactive Power Control

Remote On/Off

Energy Management

Battery Model

Battery Model: Battery Simulator

Work Mode

Backup Enable

Backup Limited SOC

NO Battery

Battery Simulator

Dyness(Default)

Pylon

Soluna

Aoboet

Parameter Setting(BA2090A122900015)

Grid Standard

Grid Protection

Active Power Control

Reactive Power Control

Remote On/Off

Energy Management

Battery Model

Work Mode

Work Mode: General mode

Backup Enable

Backup Limited SOC

General mode

Back up mode

Off-Grid mode

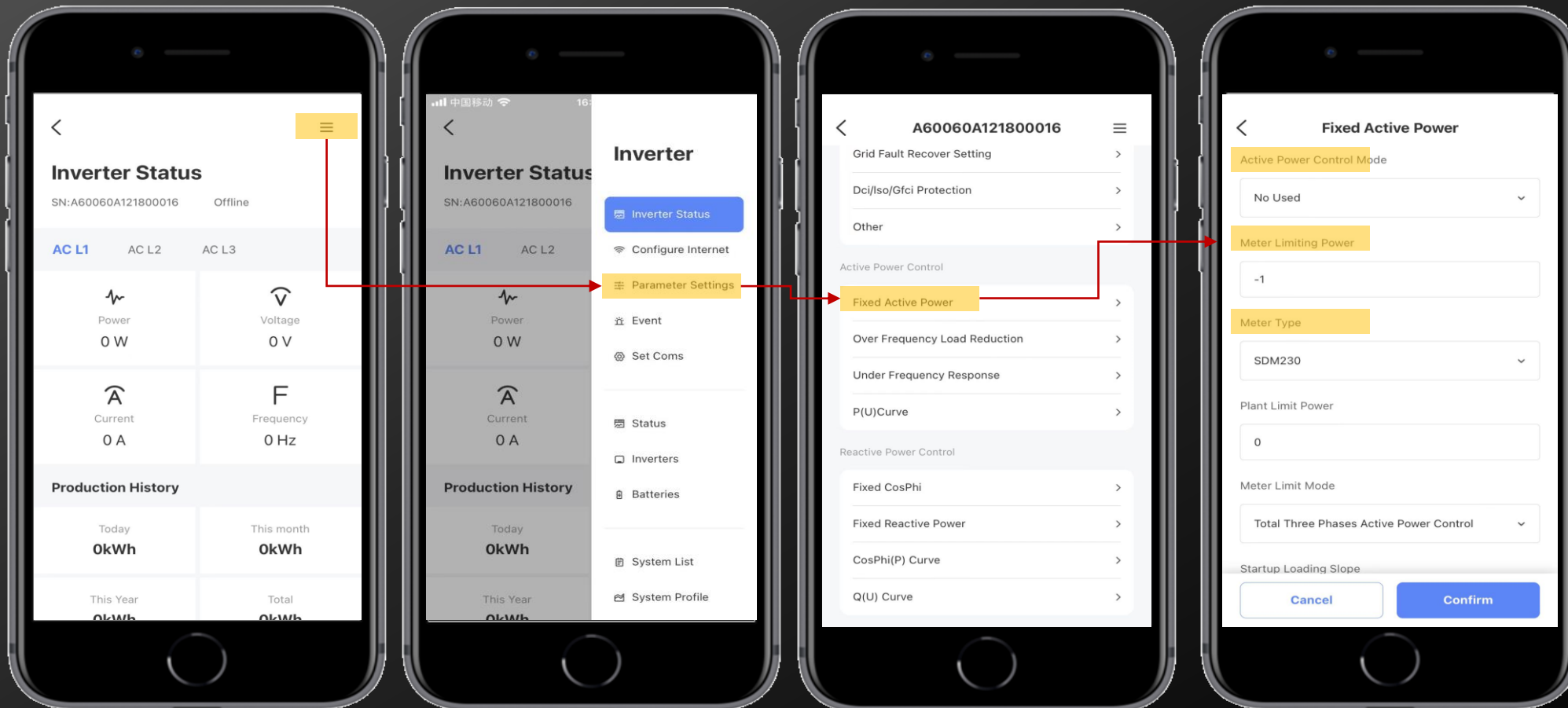
Feed in priority mode

User mode

Parameters Setting (APP Portal)

- Setting Active Power Mode

Item	Option
Active Power Control Mode	<i>Meter/CT</i>
Meter Limiting Power	<i>0</i> : No power will feed into grid; <i>-2000</i> : The maximum power that flow to grid will be limited to 2000
Meter Type	Meter SDM630: <i>SDM630</i> ; Meter SDM230: <i>SDM230</i> ; CT: <i>Internal CT</i>

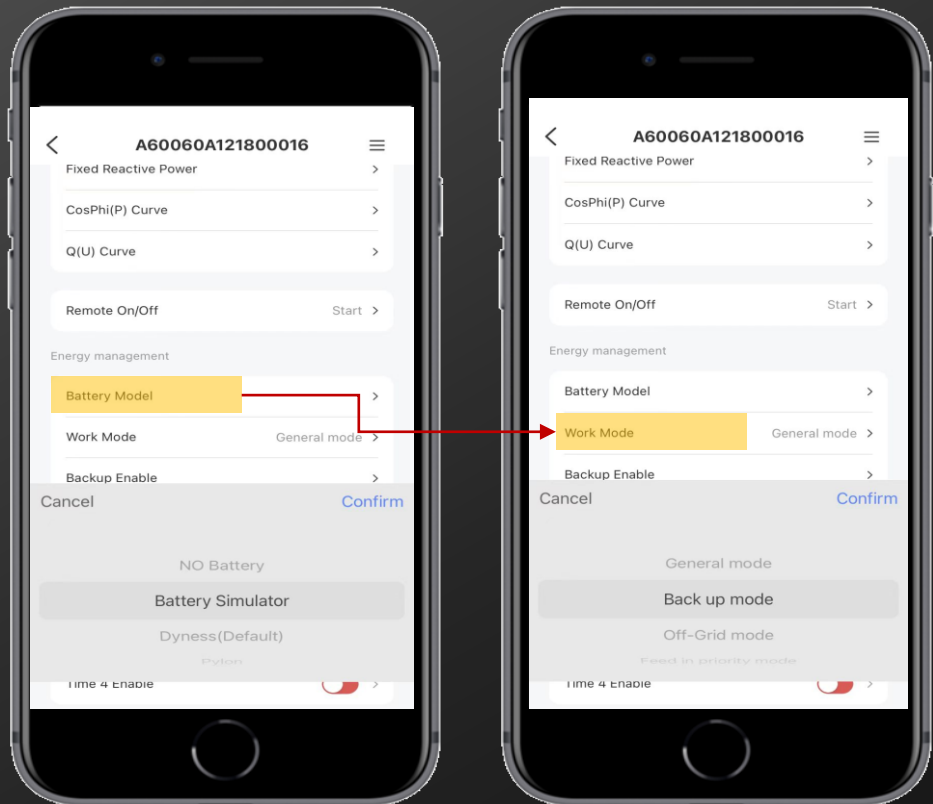


Select the corresponding device that you are using

Parameters Setting (APP Portal)

- Setting Battery/Work Mode

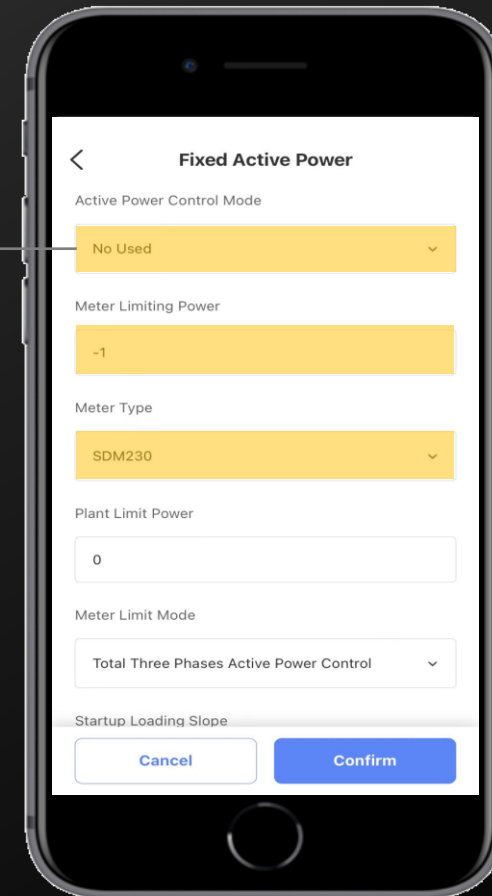
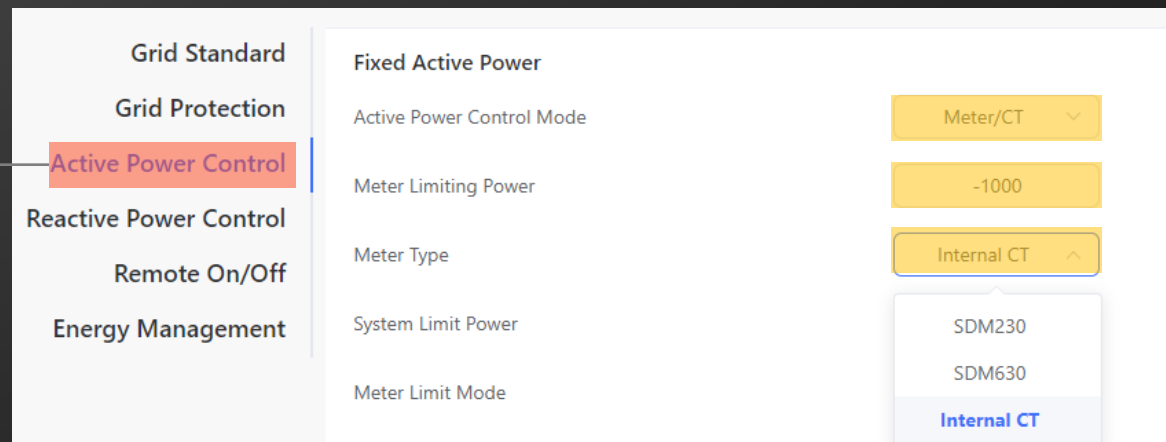
Item	Option
Battery Model	<i>NO Battery/Battery Simulator/Dyness(default)/Pylon/Soluna/Aoboet</i>
Work Mode	<i>General mode(default)/Back up mode/Off-grid mode/Feed in priority mode</i>
Backup Limited SOC	<i>10% (default)</i>
Backup Enable	<i>Enable EPS Output (default)---need to enable EPS output if there is load on the backup port</i>



The Difference Between HHS&HHT On The Setting

- Setting Battery/Work Mode

Item	HHS	HHT
Active Power Control Mode	<i>No need to reset</i>	<i>The Meter/CT default</i> (with battery)
Meter Limiting Power	<i>Positive value</i> -the maximum allowable power feeding to grid	<i>Negative value</i> -the maximum allowable power feeding to grid
Meter Type	<i>No need to reset</i>	<i>Internal CT or SDM230 or SDM630</i> Depending on which device you are using



END