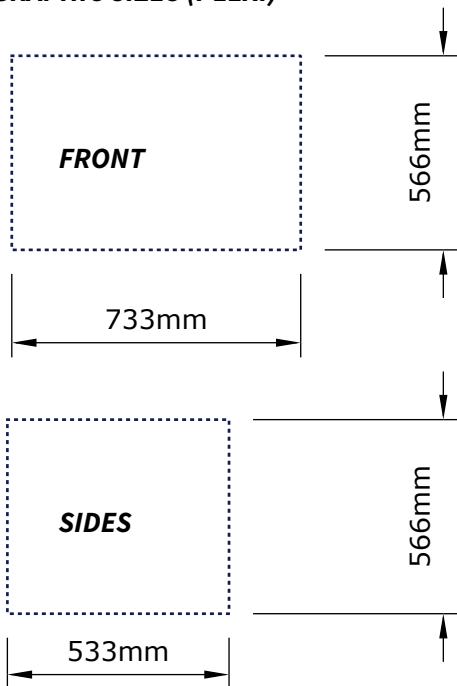
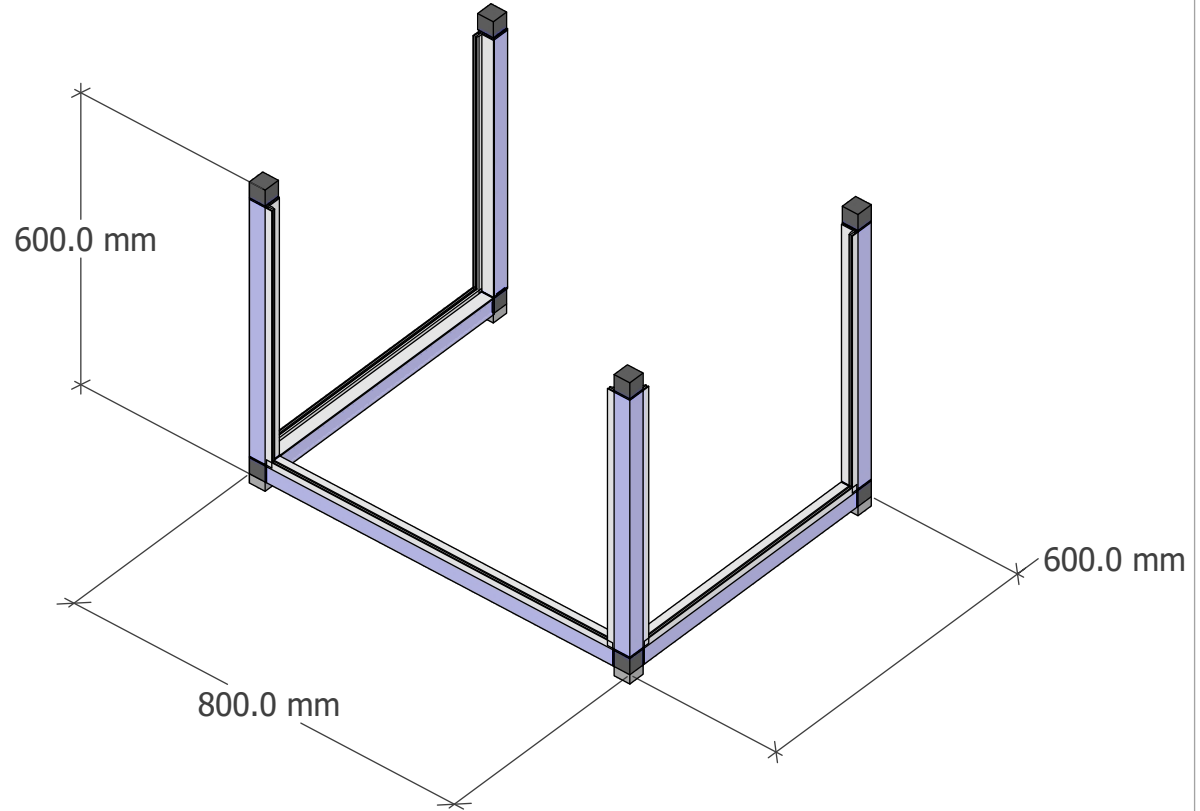


Top

GRAPHIC SIZES (PLEXI)



A



PARTS

FN01- FNT0567.0-~~ FS FS	2
FN01- FNT0567.0-~~ FS ~	4
FN01- FNT0767.0-~~ FS ~	1
SY03- CON (Connector)	8
SY03- CONTE 19MM (T Ext)	4

Date:	April 15, 2020
Client:	- Vis24-
Project:	- Dividers & Partitions
Reference:	20D007
Version:	V2
Drawn by:	Ethan

IMPORTANT NOTES
 - PARTS FOR X1 UNIT ONLY (x1 required)
 - HEIGHT EXCLUDES 19mm CONTE

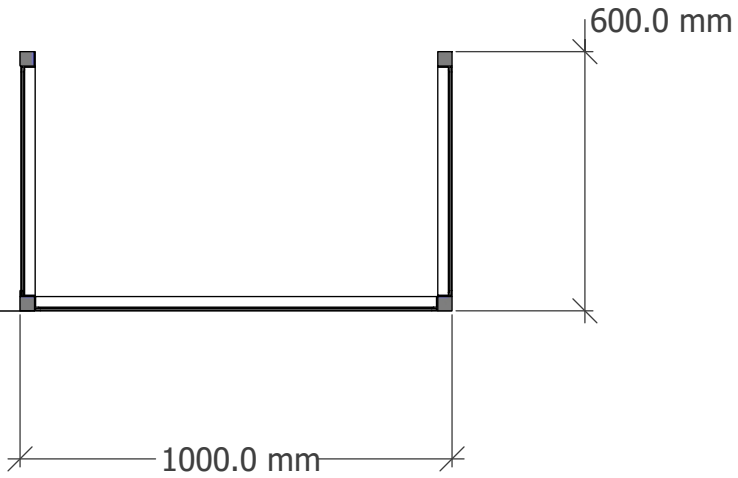


NEXT-XPO
info@next-xpo.com

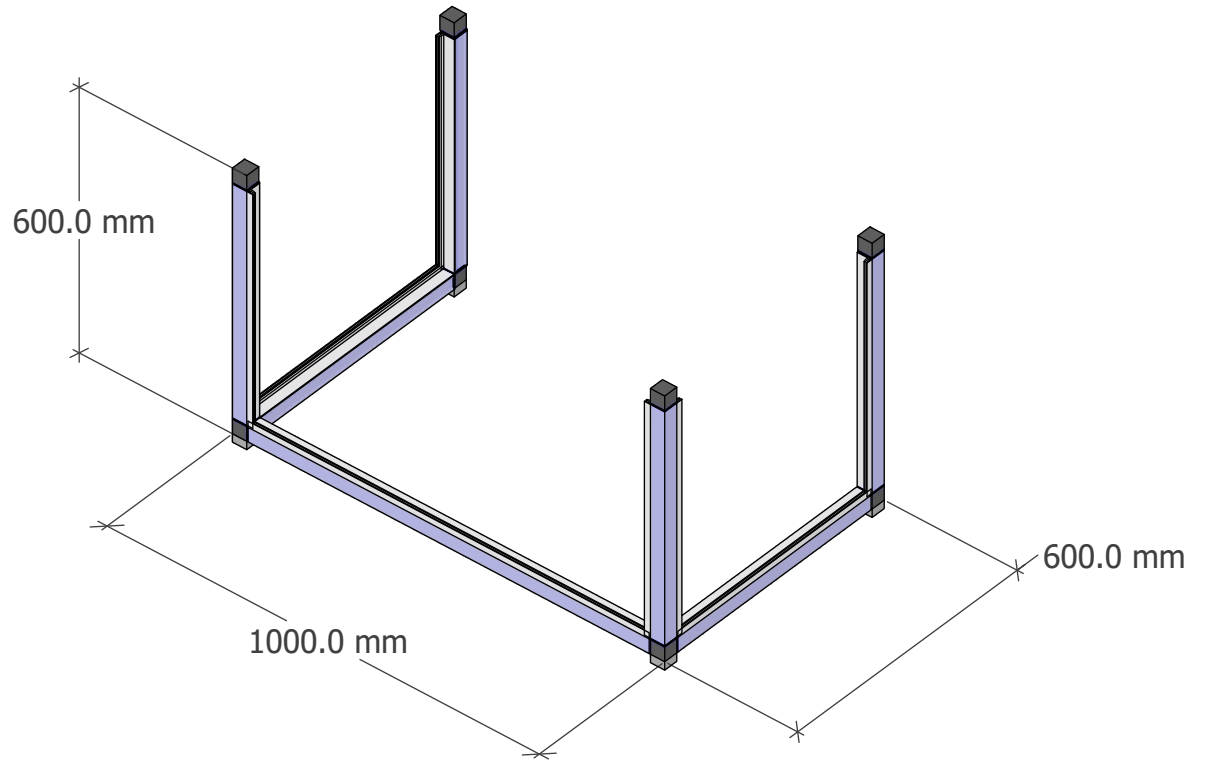


WWW.NEXT-XPO.COM

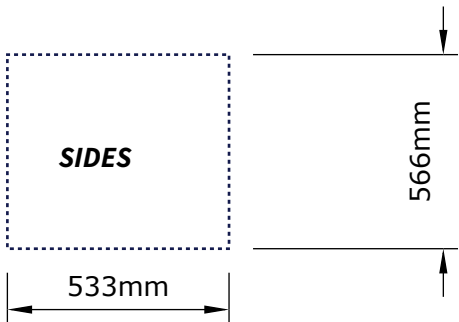
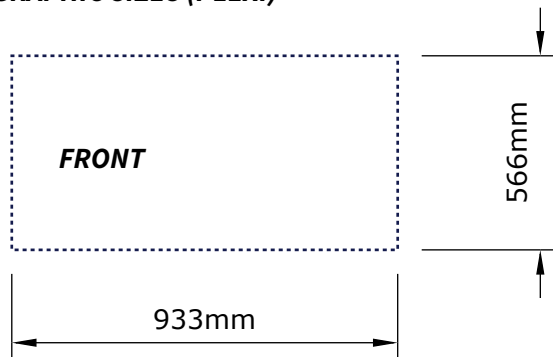
A



Top



GRAPHIC SIZES (PLEXI)



PARTS

FN01- FNT0567.0-~~ FS FS	2
FN01- FNT0567.0-~~ FS ~	4
FN01- FNT0967.0-~~ FS ~	1
SY03- CON (Connector)	8
SY03- CONTE 19MM (T Ext)	4

Date:	April 15, 2020
Client:	- Vis24-
Project:	- Dividers & Partitions
Reference:	20D007
Version:	V2
Drawn by:	Ethan

IMPORTANT NOTES
 - PARTS FOR X1 UNIT ONLY (x1 required)
 - HEIGHT EXCLUDES 19mm CONTE

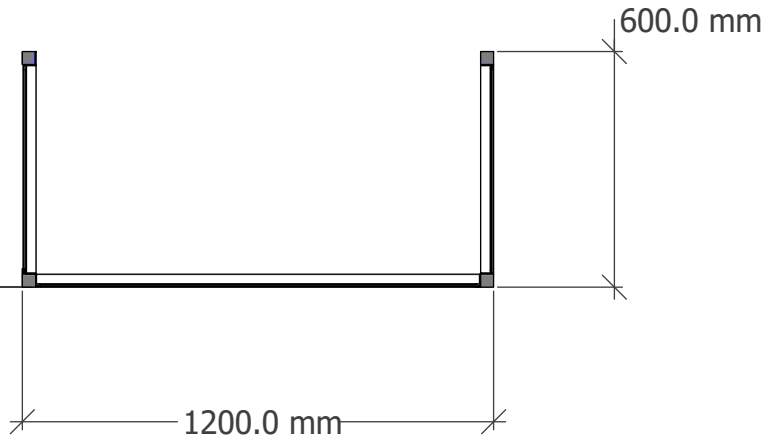


NEXT-XPO
info@next-xpo.com

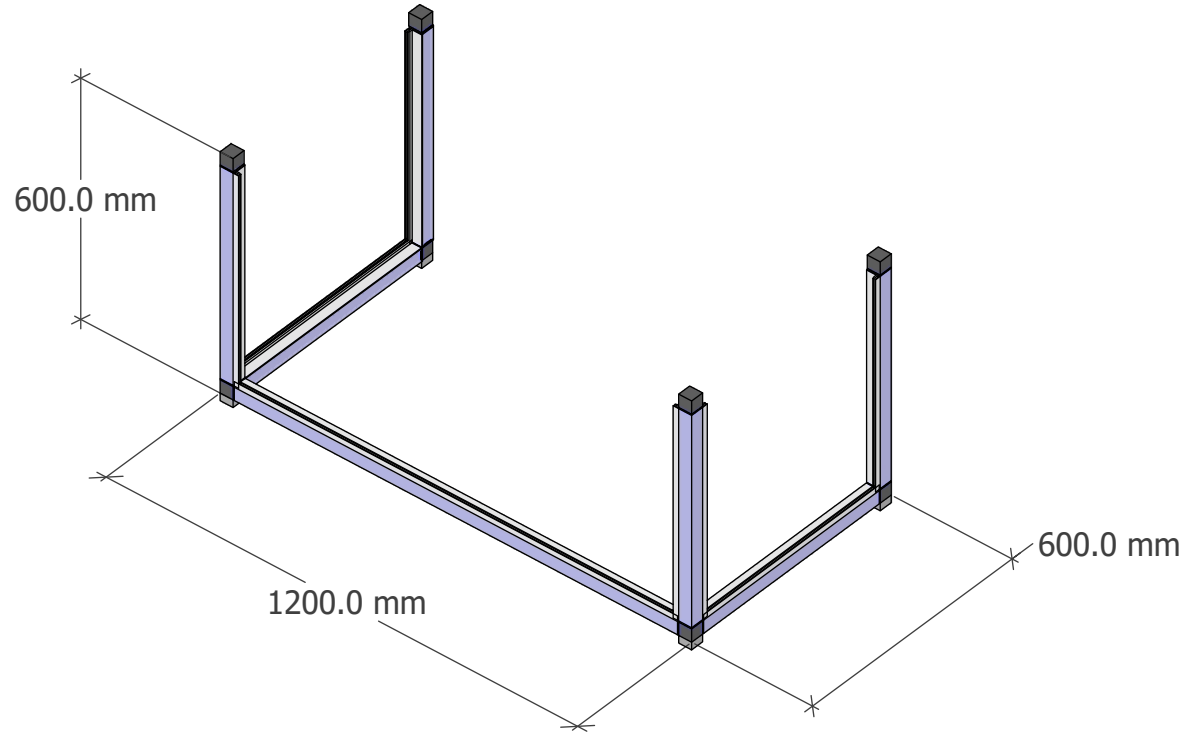


WWW.NEXT-XPO.COM

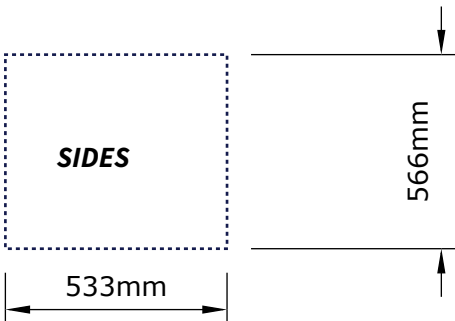
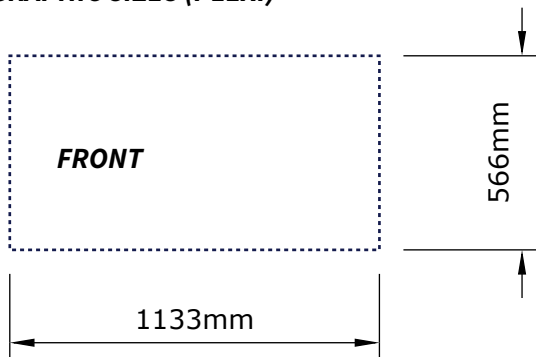
A



Top



GRAPHIC SIZES (PLEXI)



PARTS

FN01- FNT0567.0-~~ FS FS	2
FN01- FNT0567.0-~~ FS ~	4
FN01- FNT1167.0-~~ FS ~	1
SY03- CON (Connector)	8
SY03- CONTE 19MM (T Ext)	4

Date:	April 15, 2020
Client:	- Vis24-
Project:	- Dividers & Partitions
Reference:	20D007
Version:	V2
Drawn by:	Ethan

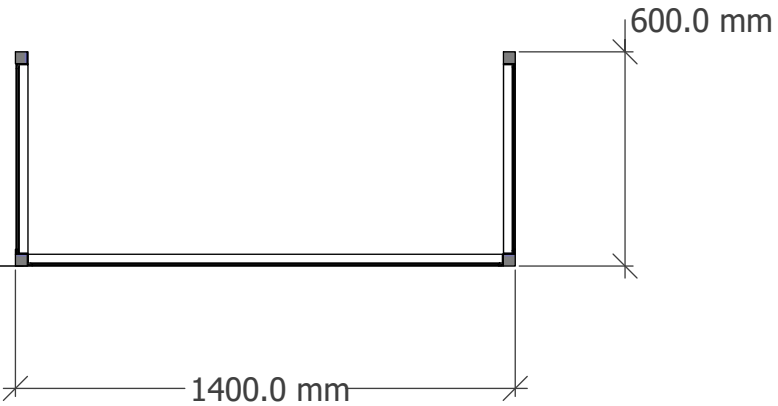
IMPORTANT NOTES
 - PARTS FOR X1 UNIT ONLY (x1 required)
 - HEIGHT EXCLUDES 19mm CONTE



NEXT-XPO
info@next-xpo.com

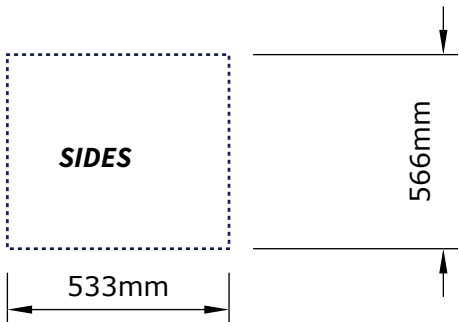
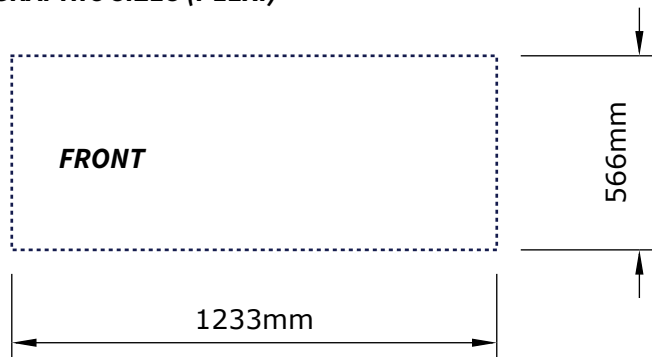


WWW.NEXT-XPO.COM

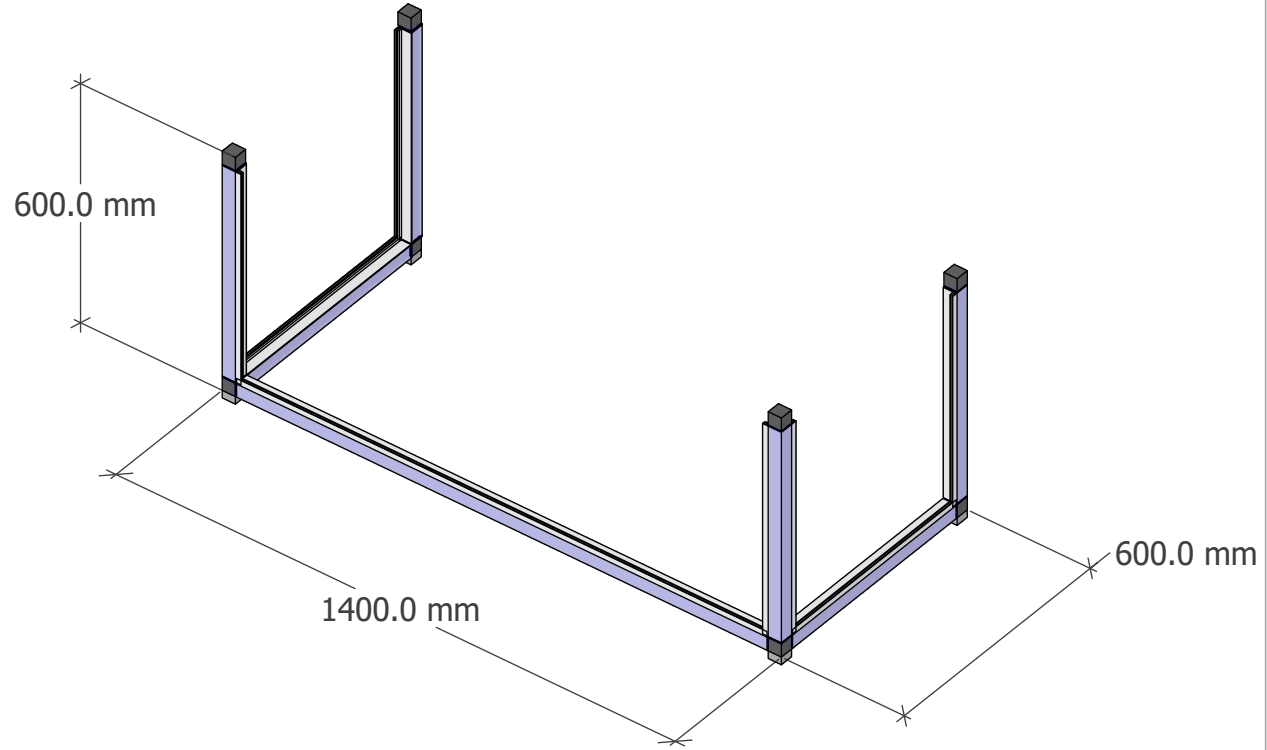


Top

GRAPHIC SIZES (PLEXI)



A



PARTS

FN01- FNT0567.0-~~ FS FS	2
FN01- FNT0567.0-~~ FS ~	4
FN01- FNT1367.0-~~ FS ~	1
SY03- CON (Connector)	8
SY03- CONTE 19MM (T Ext)	4

Date:	April 15, 2020
Client:	- Vis24-
Project:	- Dividers & Partitions
Reference:	20D007
Version:	V2
Drawn by:	Ethan

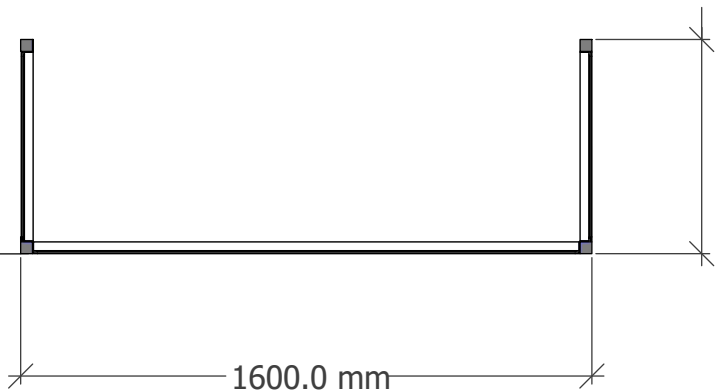
IMPORTANT NOTES
 - PARTS FOR X1 UNIT ONLY (x1 required)
 - HEIGHT EXCLUDES 19mm CONTE



NEXT-XPO
info@next-xpo.com

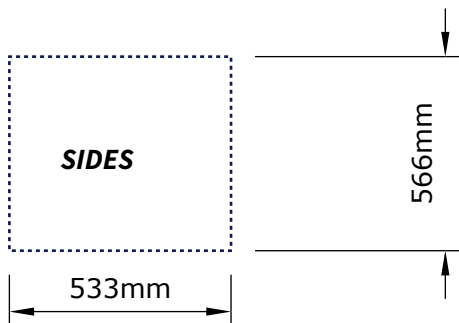
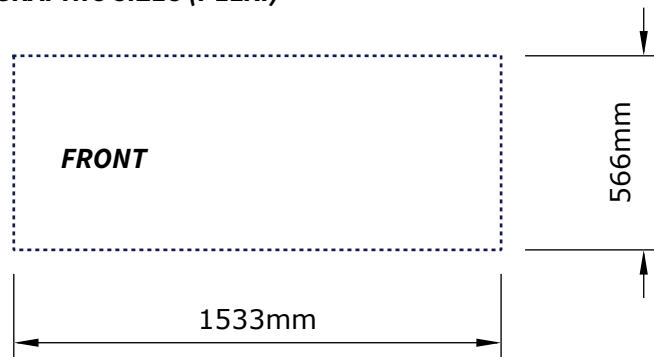


WWW.NEXT-XPO.COM

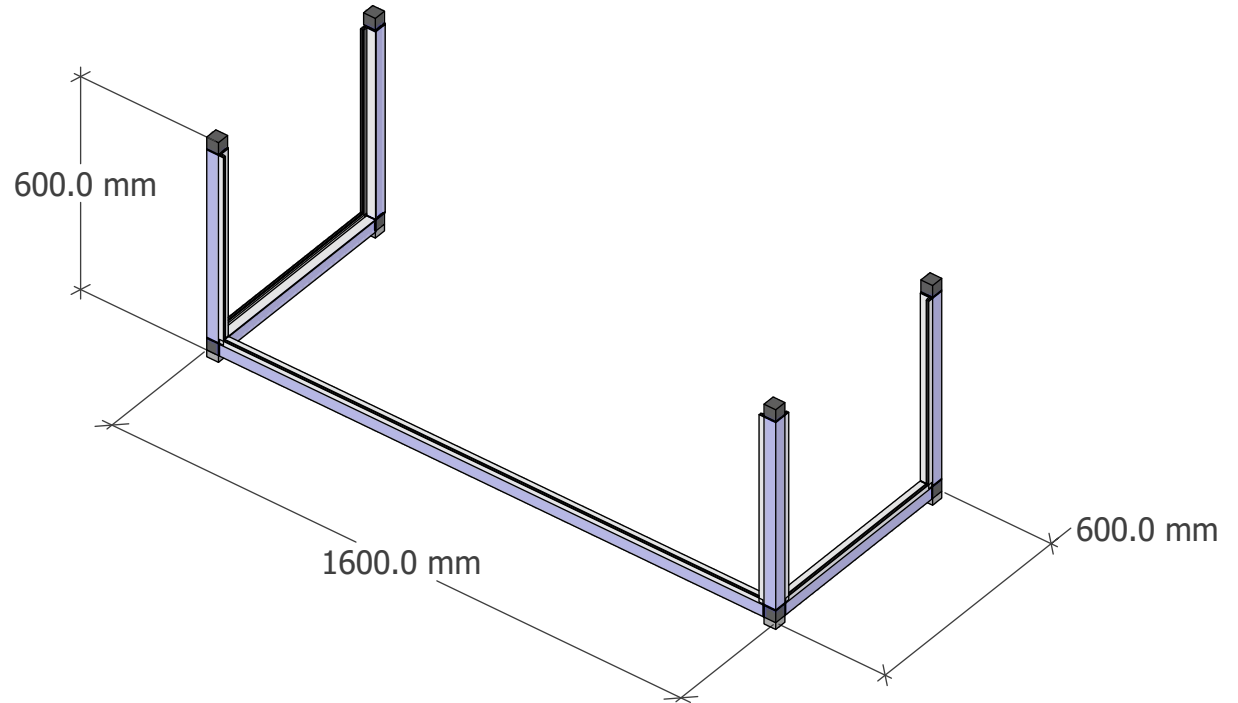


Top

GRAPHIC SIZES (PLEXI)



A



PARTS

FN01- FNT0567.0-~~ FS FS	2
FN01- FNT0567.0-~~ FS ~	4
FN01- FNT1567.0-~~ FS ~	1
SY03- CON (Connector)	8
SY03- CONTE 19MM (T Ext)	4

Date:	April 15, 2020
Client:	- Vis24-
Project:	- Dividers & Partitions
Reference:	20D007
Version:	V2
Drawn by:	Ethan

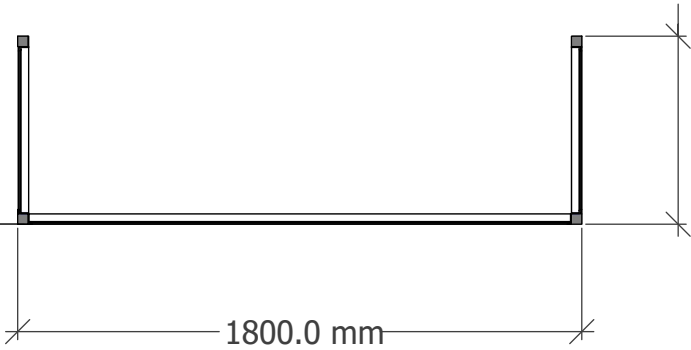
IMPORTANT NOTES
 - PARTS FOR X1 UNIT ONLY (x1 required)
 - HEIGHT EXCLUDES 19mm CONTE



NEXT-XPO
info@next-xpo.com

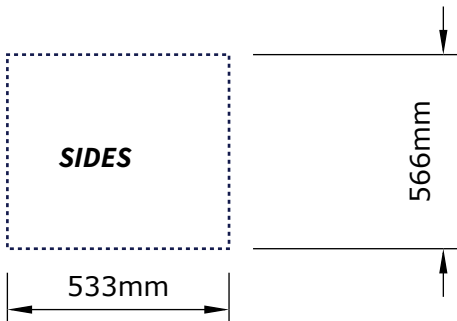
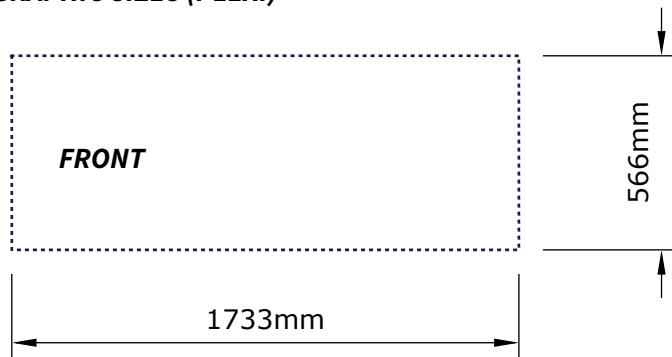


WWW.NEXT-XPO.COM

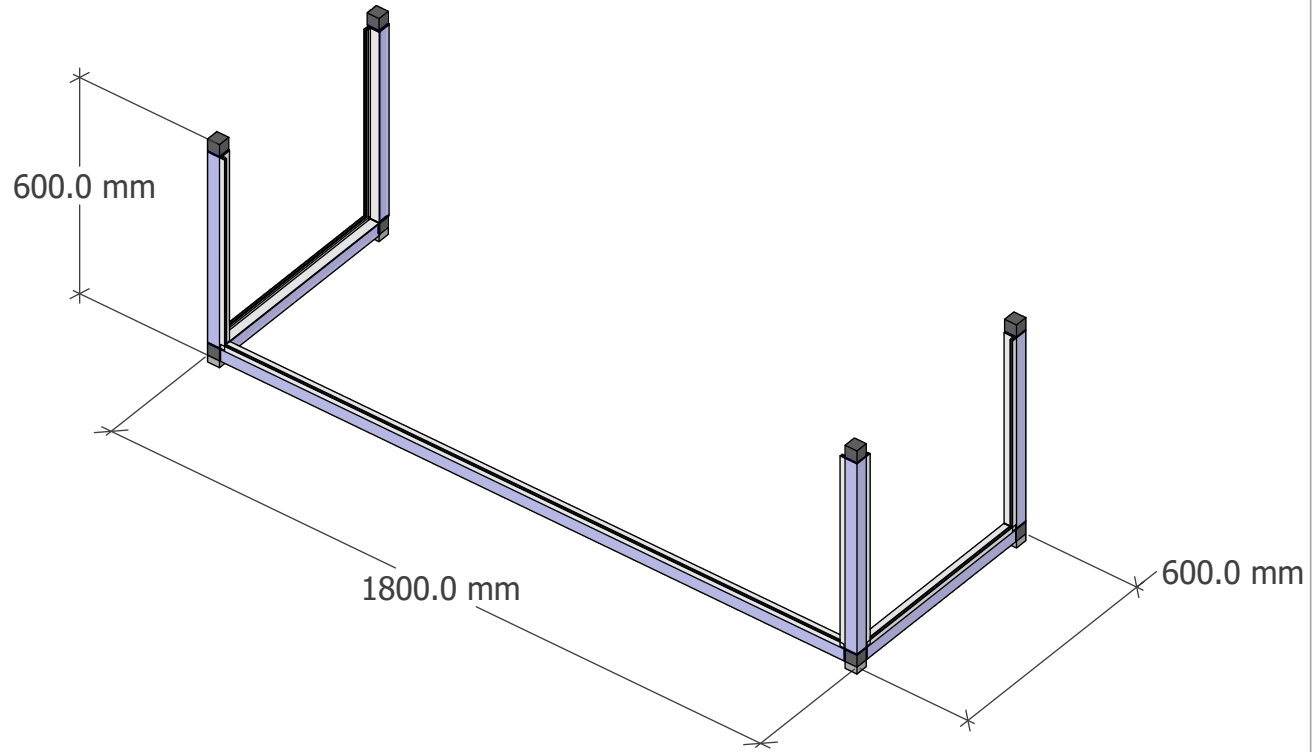


Top

GRAPHIC SIZES (PLEXI)



A



PARTS

FN01- FNT0567.0-~~ FS FS	2
FN01- FNT0567.0-~~ FS ~	4
FN01- FNT1567.0-~~ FS ~	1
SY03- CON (Connector)	8
SY03- CONTE 19MM (T Ext)	4

Date:	April 15, 2020
Client:	- Vis24-
Project:	- Dividers & Partitions
Reference:	20D007
Version:	V2
Drawn by:	Ethan

IMPORTANT NOTES
 - PARTS FOR X1 UNIT ONLY (x1 required)
 - HEIGHT EXCLUDES 19mm CONTE

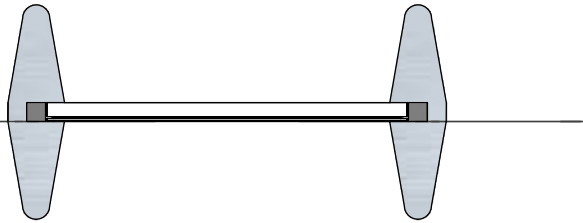


NEXT-XPO
info@next-xpo.com



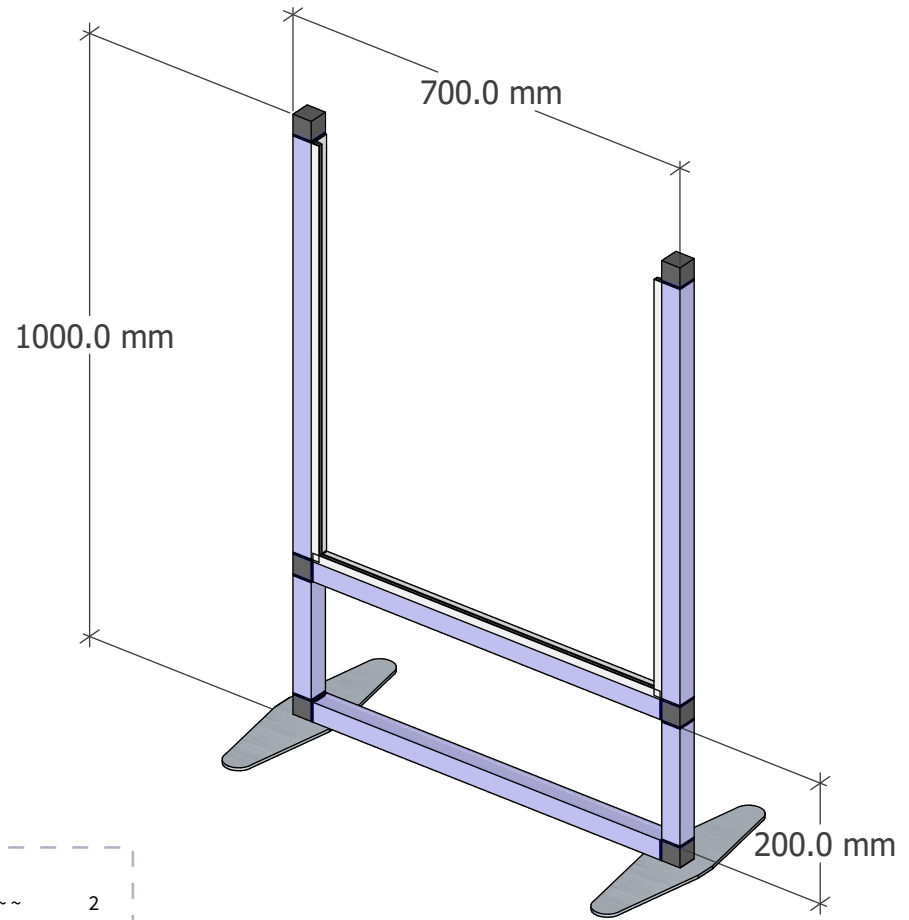
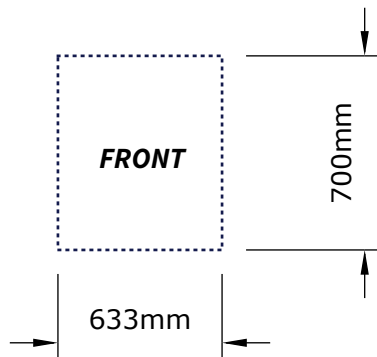
WWW.NEXT-XPO.COM

A



Top

GRAPHIC SIZES (PLEXI)



PARTS

FN01- FNT0233.0- ~ ~ ~ ~	2
FN01- FNT0734.0- ~ ~ ~ FS	2
FN01- FNT0667.0- ~ ~ FS ~	1
FN01- FNT0667.0- ~ ~ ~ ~	1
SY03- CON (Connector)	6
SY03- FF02 (Foot Flat Dbl)	2

Date:	April 15, 2020
Client:	- Vis24-
Project:	- Dividers & Partitions
Reference:	20D007
Version:	V2
Drawn by:	Ethan

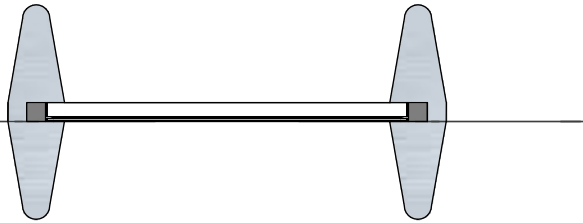
IMPORTANT NOTES
 - PARTS FOR X1 UNIT ONLY (x1 required)
 - HEIGHT EXCLUDES 6mm FF02



NEXT-XPO
info@next-xpo.com

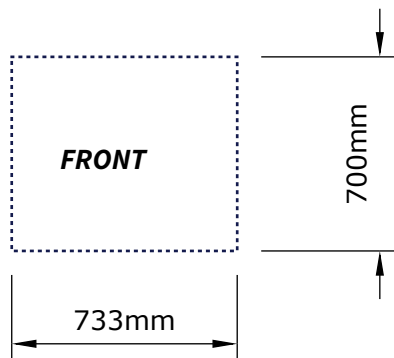


WWW.NEXT-XPO.COM

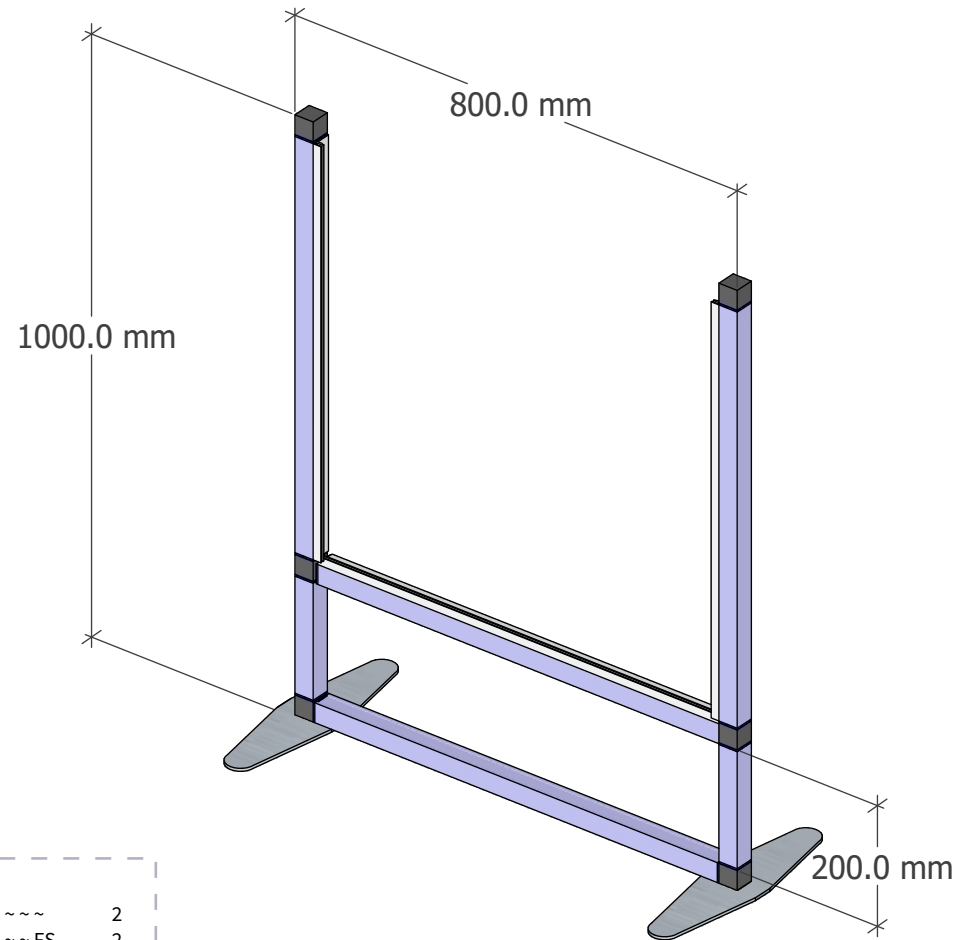


Top

GRAPHIC SIZES (PLEXI)



A



PARTS

FN01- FNT0233.0- ~~~~	2
FN01- FNT0734.0- ~~~ FS	2
FN01- FNT0767.0- ~~ FS ~	1
FN01- FNT0767.0- ~~~~	1
SY03- CON (Connector)	6
SY03- FF02 (Foot Flat Dbl)	2

Date:	April 15, 2020
Client:	- Vis24-
Project:	- Dividers & Partitions
Reference:	20D007
Version:	V2
Drawn by:	Ethan

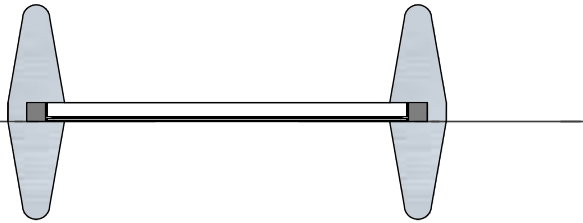
IMPORTANT NOTES
 - PARTS FOR X1 UNIT ONLY (x1 required)
 - HEIGHT EXCLUDES 6mm FF02



NEXT-XPO
info@next-xpo.com

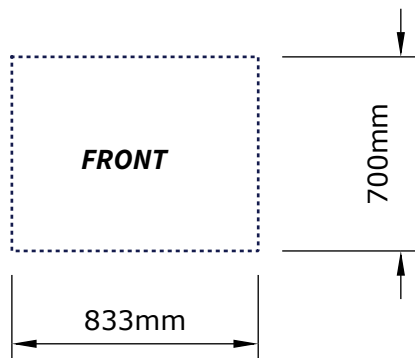


WWW.NEXT-XPO.COM

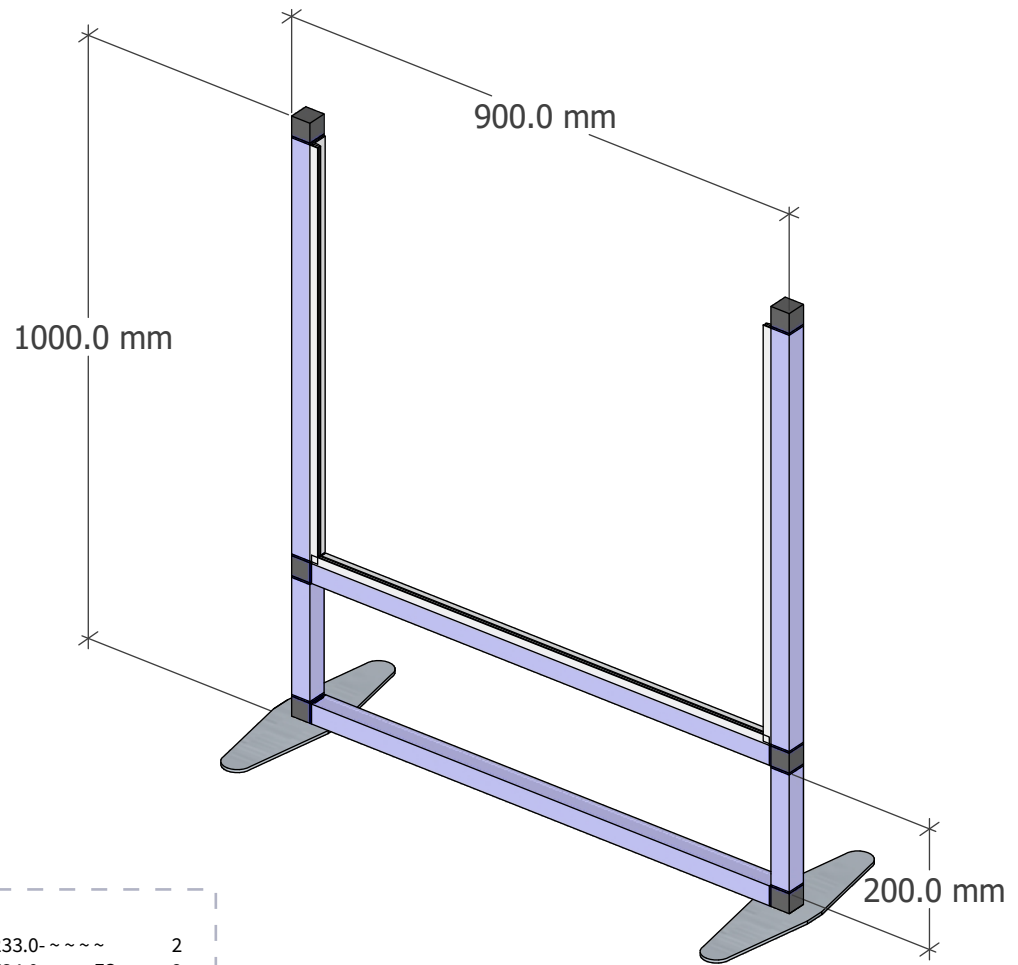


Top

GRAPHIC SIZES (PLEXI)



A



PARTS

FN01- FNT0233.0- ~~~~	2
FN01- FNT0734.0- ~~~ FS	2
FN01- FNT0867.0- ~~~ FS ~	1
FN01- FNT0867.0- ~~~~	1
SY03- CON (Connector)	6
SY03- FF02 (Foot Flat Dbl)	2

Date:	April 15, 2020
Client:	- Vis24-
Project:	- Dividers & Partitions
Reference:	20D007
Version:	V2
Drawn by:	Ethan

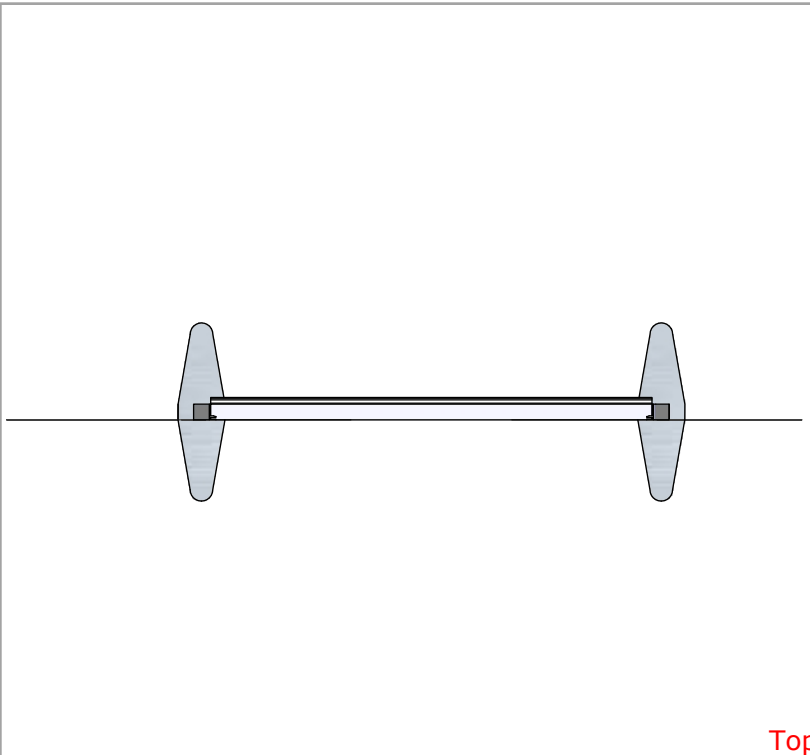
IMPORTANT NOTES
 - PARTS FOR X1 UNIT ONLY (x1 required)
 - HEIGHT EXCLUDES 6mm FF02



NEXT-XPO
info@next-xpo.com

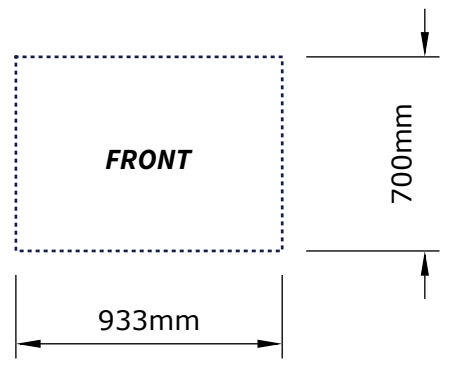


WWW.NEXT-XPO.COM

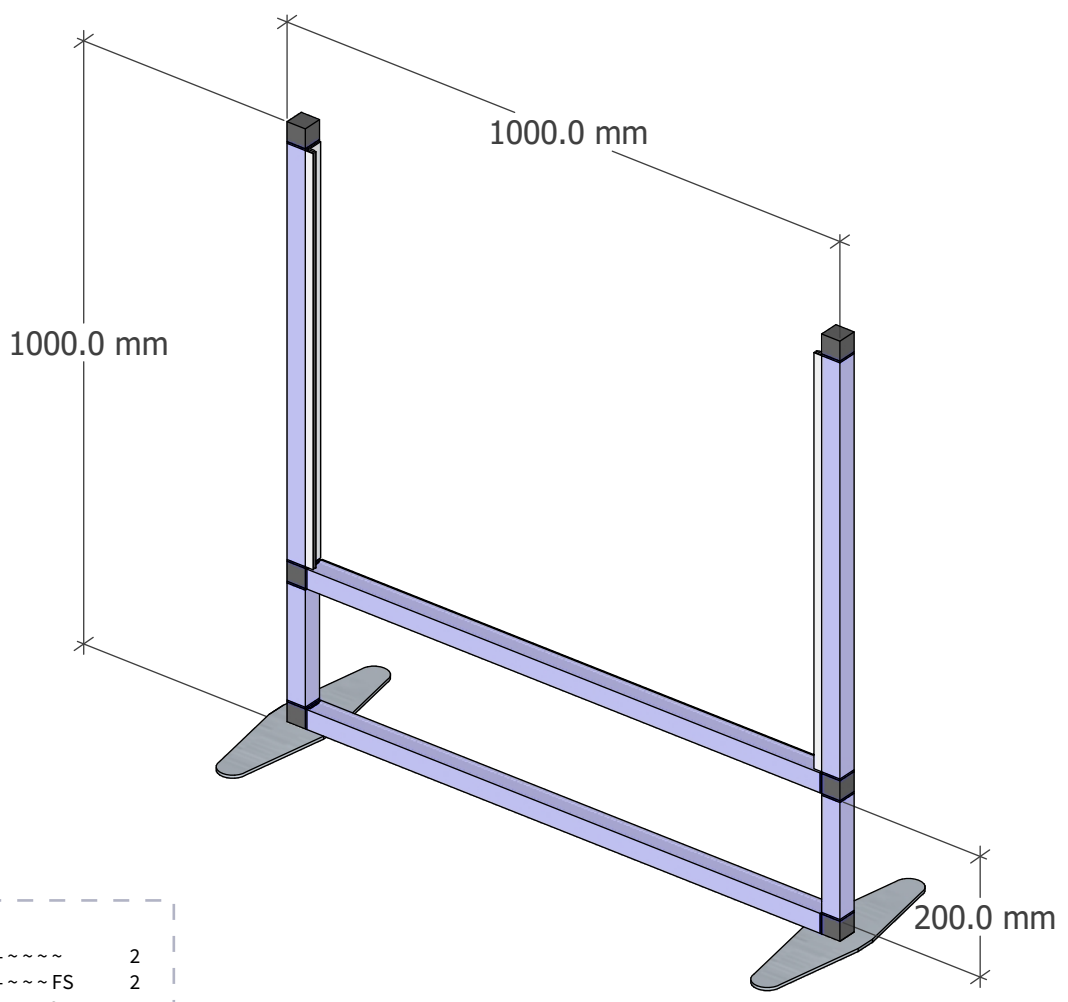


Top

GRAPHIC SIZES (PLEXI)



A



PARTS

FN01- FNT0233.0- ~~~~	2
FN01- FNT0734.0- ~~~ FS	2
FN01- FNT0967.0- ~~~ FS ~	1
FN01- FNT0967.0- ~~~~	1
SY03- CON (Connector)	6
SY03- FF02 (Foot Flat Dbl)	2

Date:	April 15, 2020
Client:	- Vis24-
Project:	- Dividers & Partitions
Reference:	20D007
Version:	V2
Drawn by:	Ethan

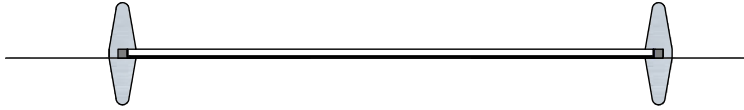
IMPORTANT NOTES
 - PARTS FOR X1 UNIT ONLY (x1 required)
 - HEIGHT EXCLUDES 6mm FF02



NEXT-XPO
info@next-xpo.com

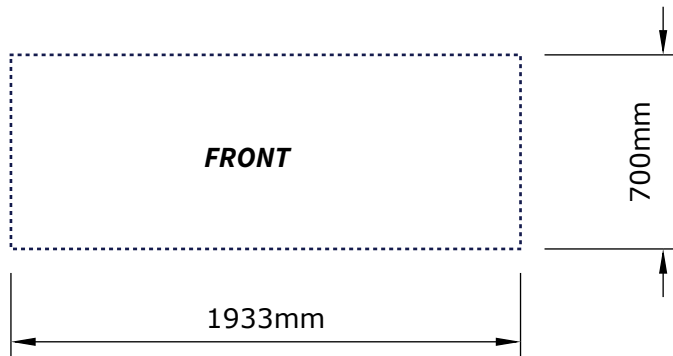


WWW.NEXT-XPO.COM

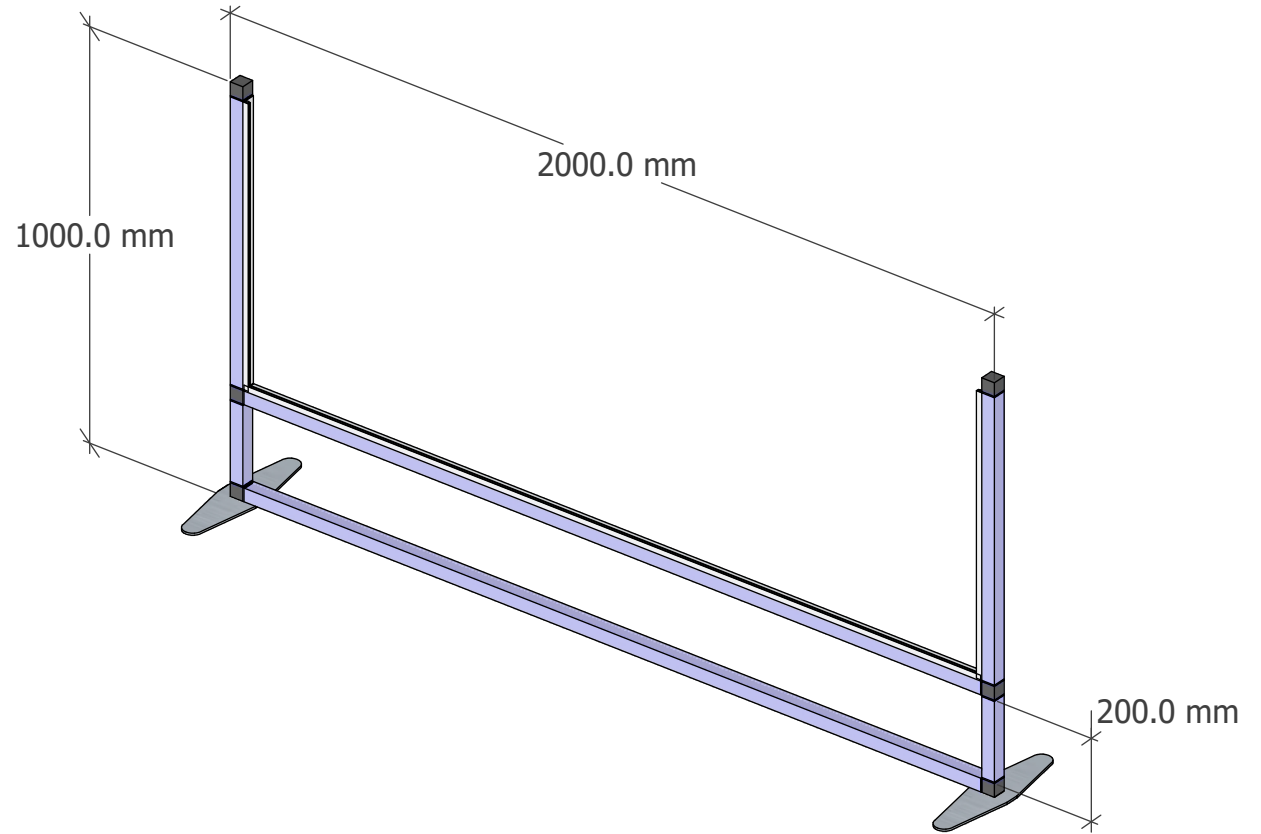


Top

GRAPHIC SIZES (PLEXI)



A



PARTS

FN01- FNT0233.0- ~~~~	2
FN01- FNT0734.0- ~~~ FS	2
FN01- FNT1967.0- ~~~ FS	1
FN01- FNT1967.0- ~~~~	1
SY03- CON (Connector)	6
SY03- FF02 (Foot Flat Dbl)	2

Date:	April 15, 2020
Client:	- Vis24-
Project:	- Dividers & Partitions
Reference:	20D007
Version:	V2
Drawn by:	Ethan

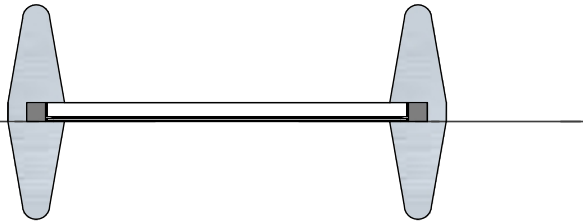
IMPORTANT NOTES
 - PARTS FOR X1 UNIT ONLY (x1 required)
 - HEIGHT EXCLUDES 6mm FF02



NEXT-XPO
info@next-xpo.com

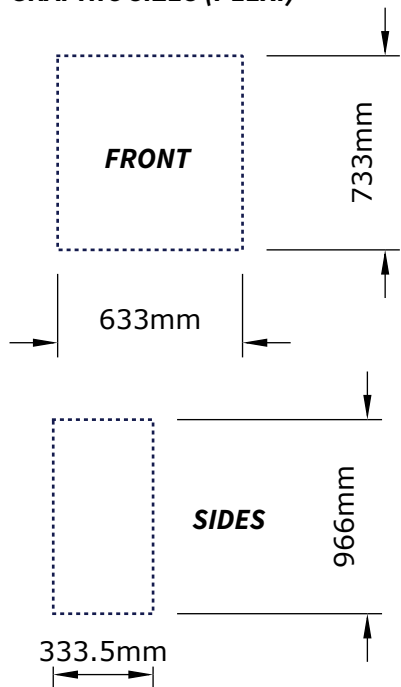


WWW.NEXT-XPO.COM

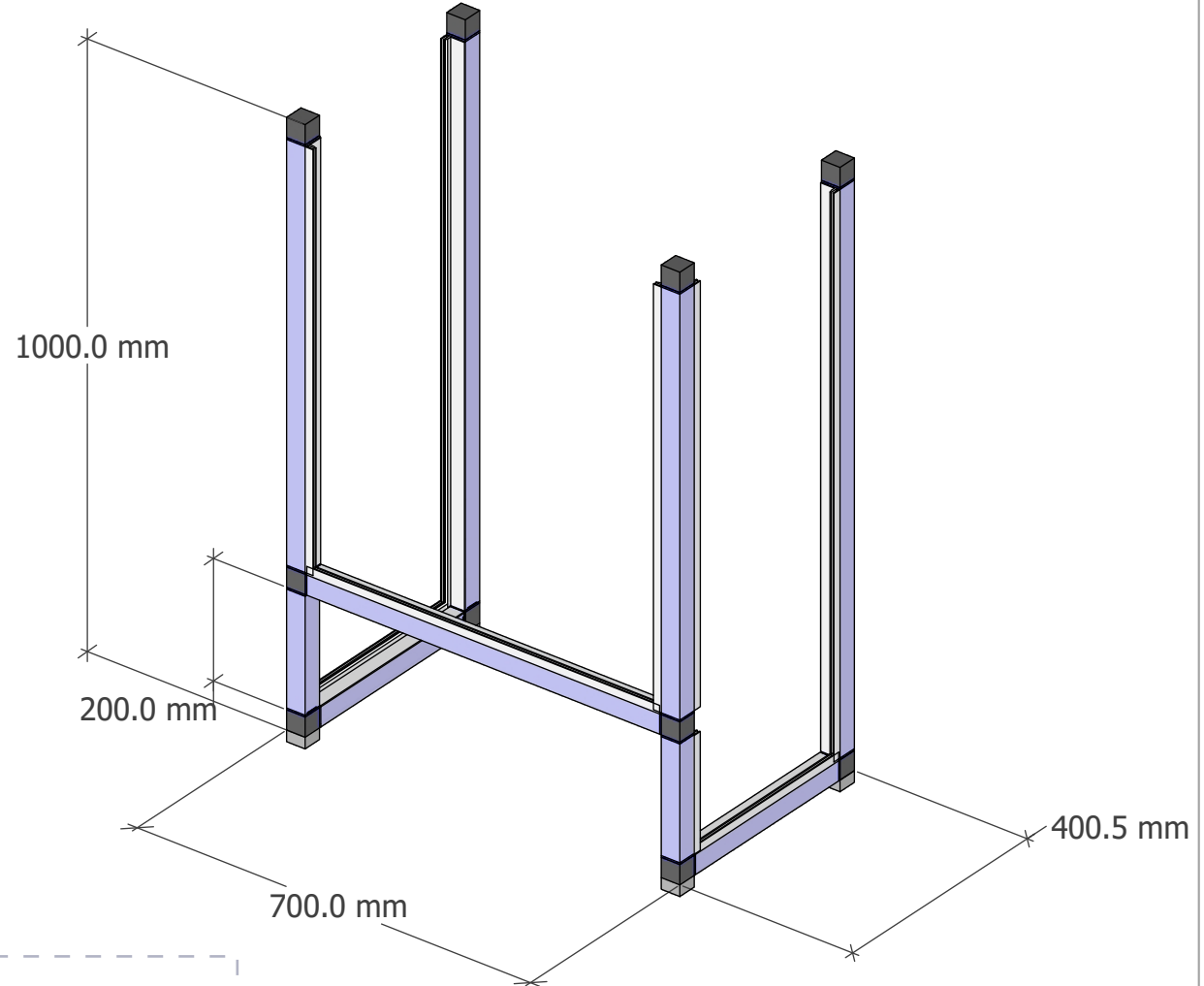


Top

GRAPHIC SIZES (PLEXI)



A



PARTS

FN01- FNT0233.0-~~ FS ~	2
FN01- FNT0367.5-~~~ FS	2
FN01- FNT0667.0-~~~ FS	1
FN01- FNT0734.0-~~ FS FS	2
FN01- FNT0967.0-~~ FS ~	2
SY03- CON (Connector)	10
SY03- CONTE 19MM (T Ext)	4

Date:	April 15, 2020
Client:	- Vis24-
Project:	- Dividers & Partitions
Reference:	20D007
Version:	V2
Drawn by:	Ethan

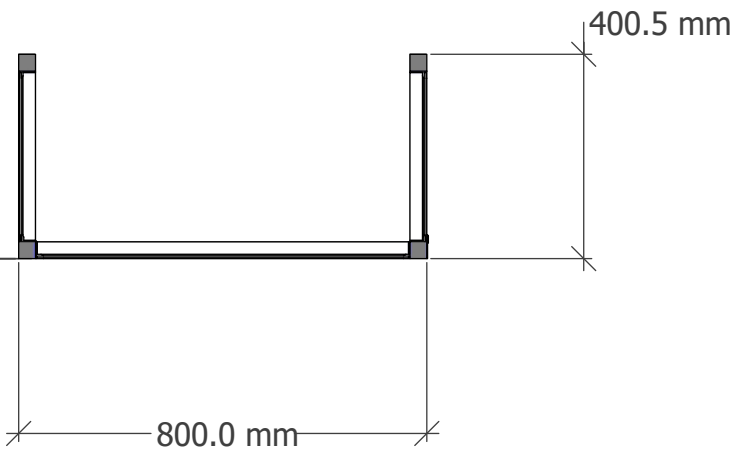
IMPORTANT NOTES
 - PARTS FOR X1 UNIT ONLY (x1 required)
 - HEIGHT EXCLUDES 19mm CONTE



NEXT-XPO
info@next-xpo.com

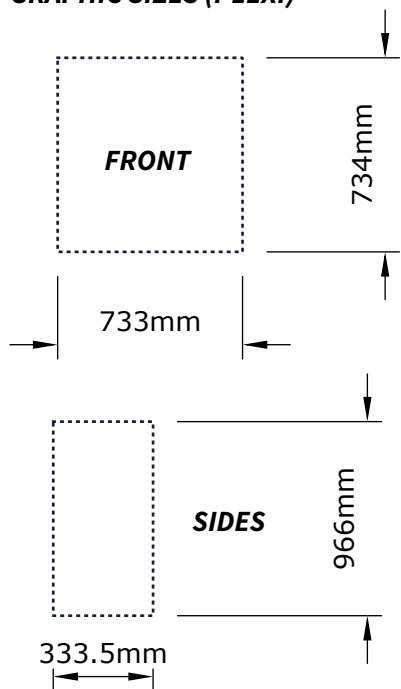


WWW.NEXT-XPO.COM

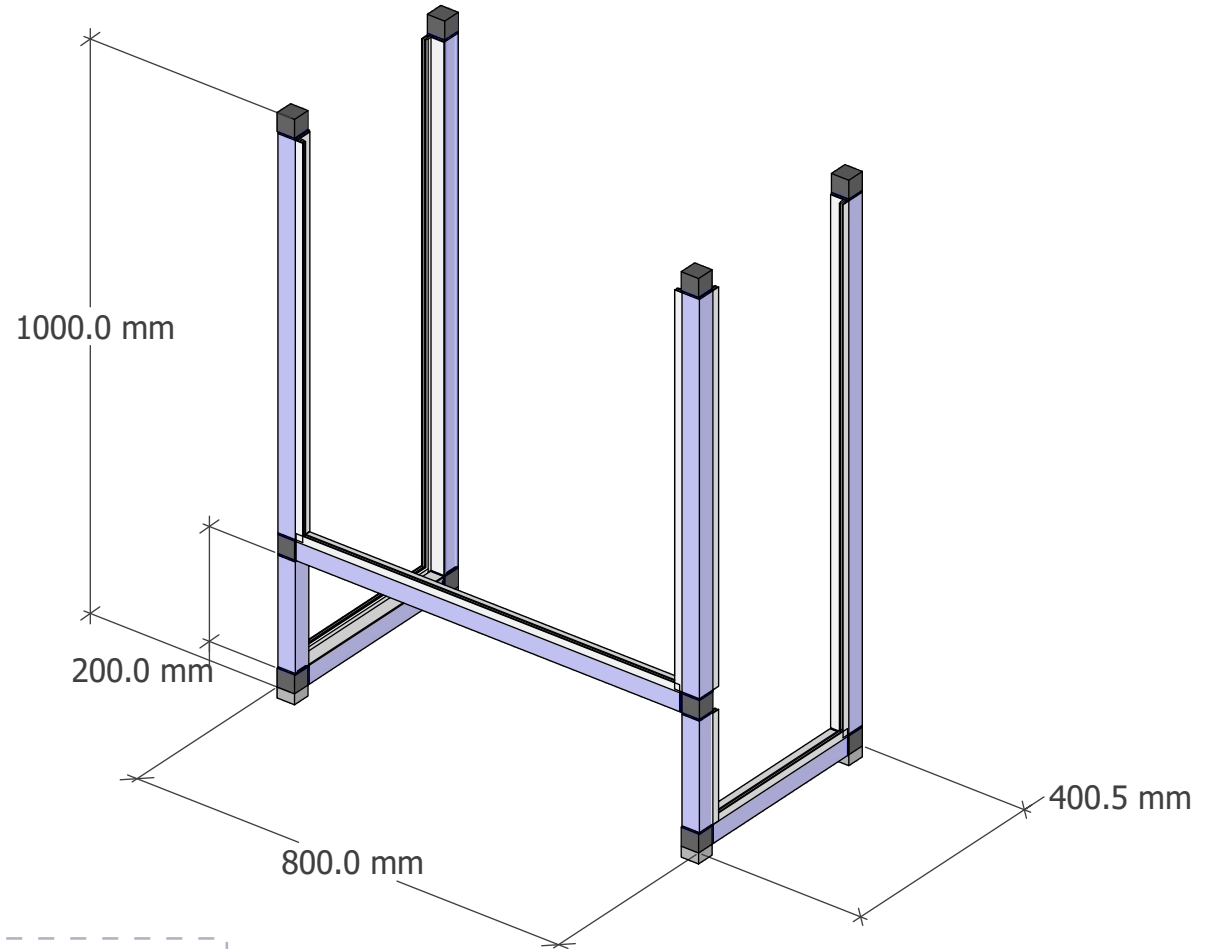


Top

GRAPHIC SIZES (PLEXI)



A



PARTS

FN01- FNT0233.0-~~ FS ~	2
FN01- FNT0367.5-~~~ FS	2
FN01- FNT0767.0-~~~ FS	1
FN01- FNT0734.0-~~ FS FS	2
FN01- FNT0967.0-~~ FS ~	2
SY03- CON (Connector)	10
SY03- CONTE 19MM (T Ext)	4

Date:	April 15, 2020
Client:	- Vis24-
Project:	- Dividers & Partitions
Reference:	20D007
Version:	V2
Drawn by:	Ethan

IMPORTANT NOTES
 - PARTS FOR X1 UNIT ONLY (x1 required)
 - HEIGHT EXCLUDES 19mm CONTE

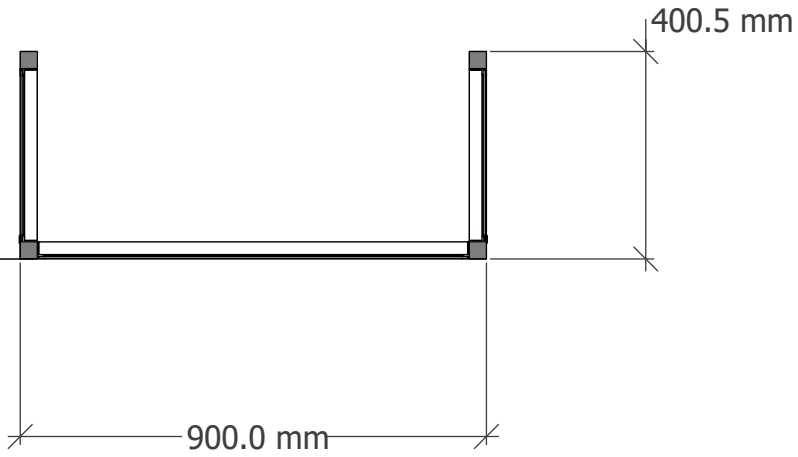


NEXT-XPO
info@next-xpo.com



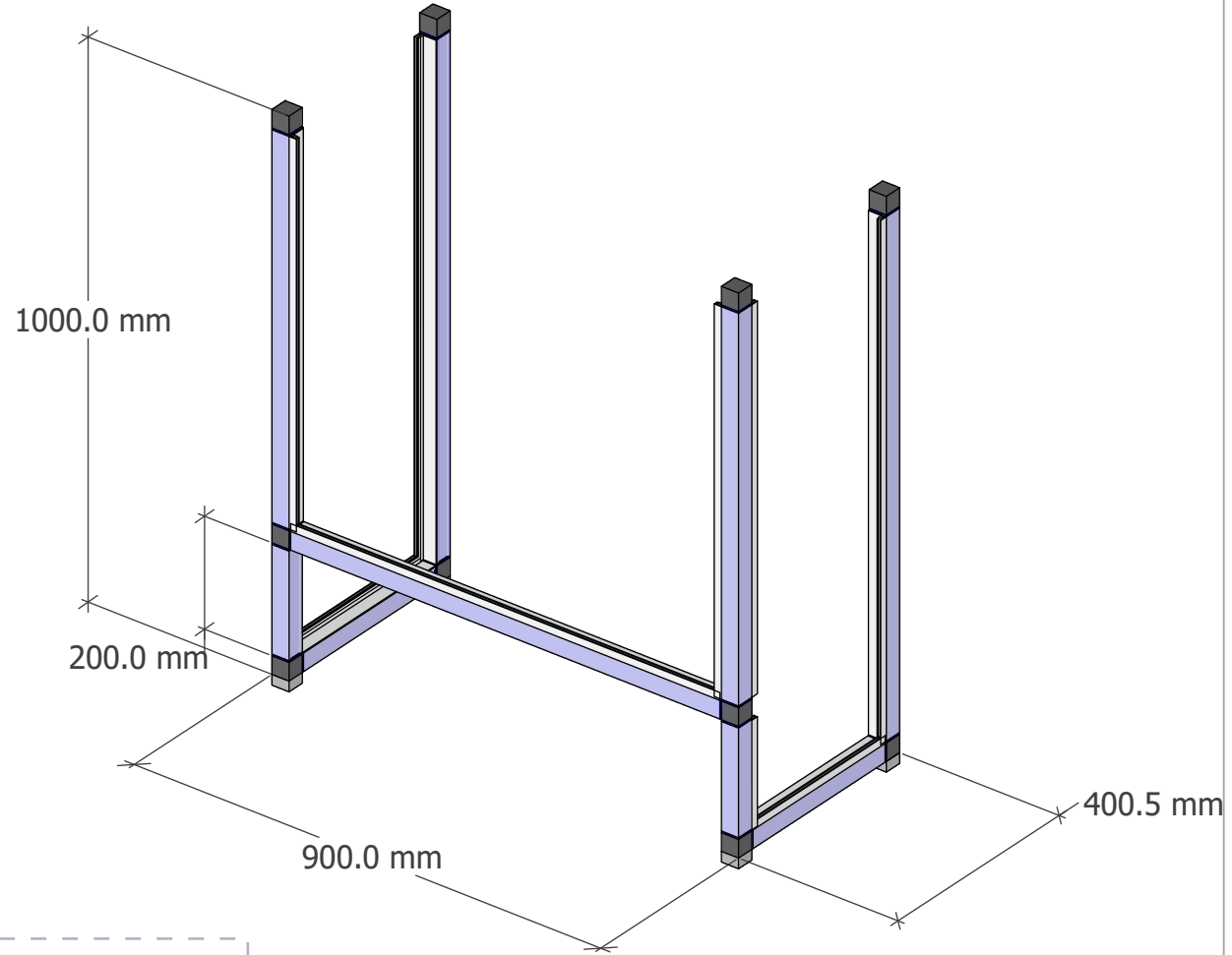
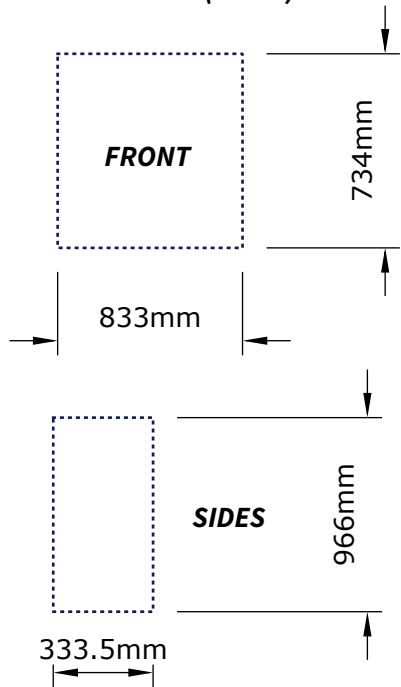
WWW.NEXT-XPO.COM

A



Top

GRAPHIC SIZES (PLEXI)



PARTS

FN01- FNT0233.0-~~ FS ~	2
FN01- FNT0367.5-~~~ FS	2
FN01- FNT0867.0-~~~ FS	1
FN01- FNT0734.0-~~ FS FS	2
FN01- FNT0967.0-~~ FS ~	2
SY03- CON (Connector)	10
SY03- CONTE 19MM (T Ext)	4

Date:	April 15, 2020
Client:	- Vis24-
Project:	- Dividers & Partitions
Reference:	20D007
Version:	V2
Drawn by:	Ethan

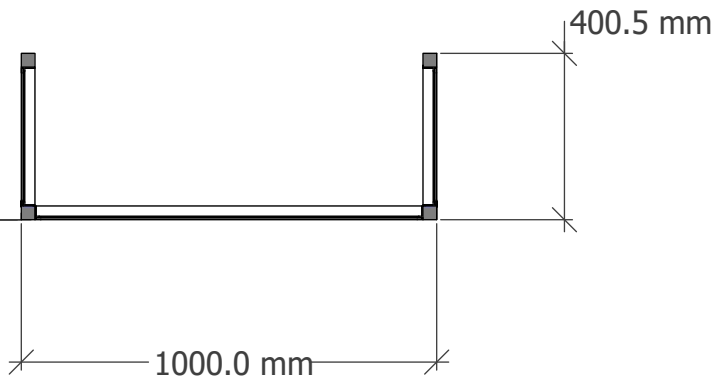
IMPORTANT NOTES
 - PARTS FOR X1 UNIT ONLY (x1 required)
 - HEIGHT EXCLUDES 19mm CONTE



NEXT-XPO
info@next-xpo.com

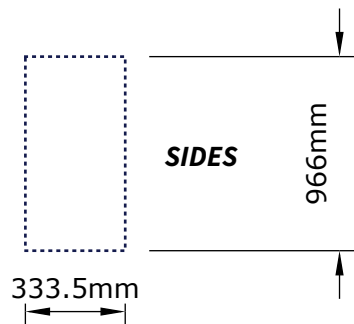
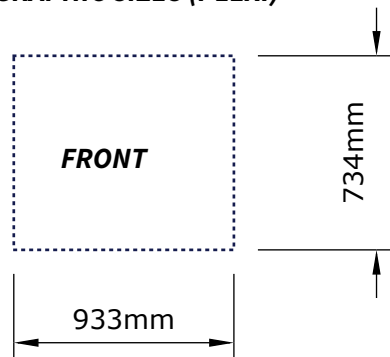


WWW.NEXT-XPO.COM

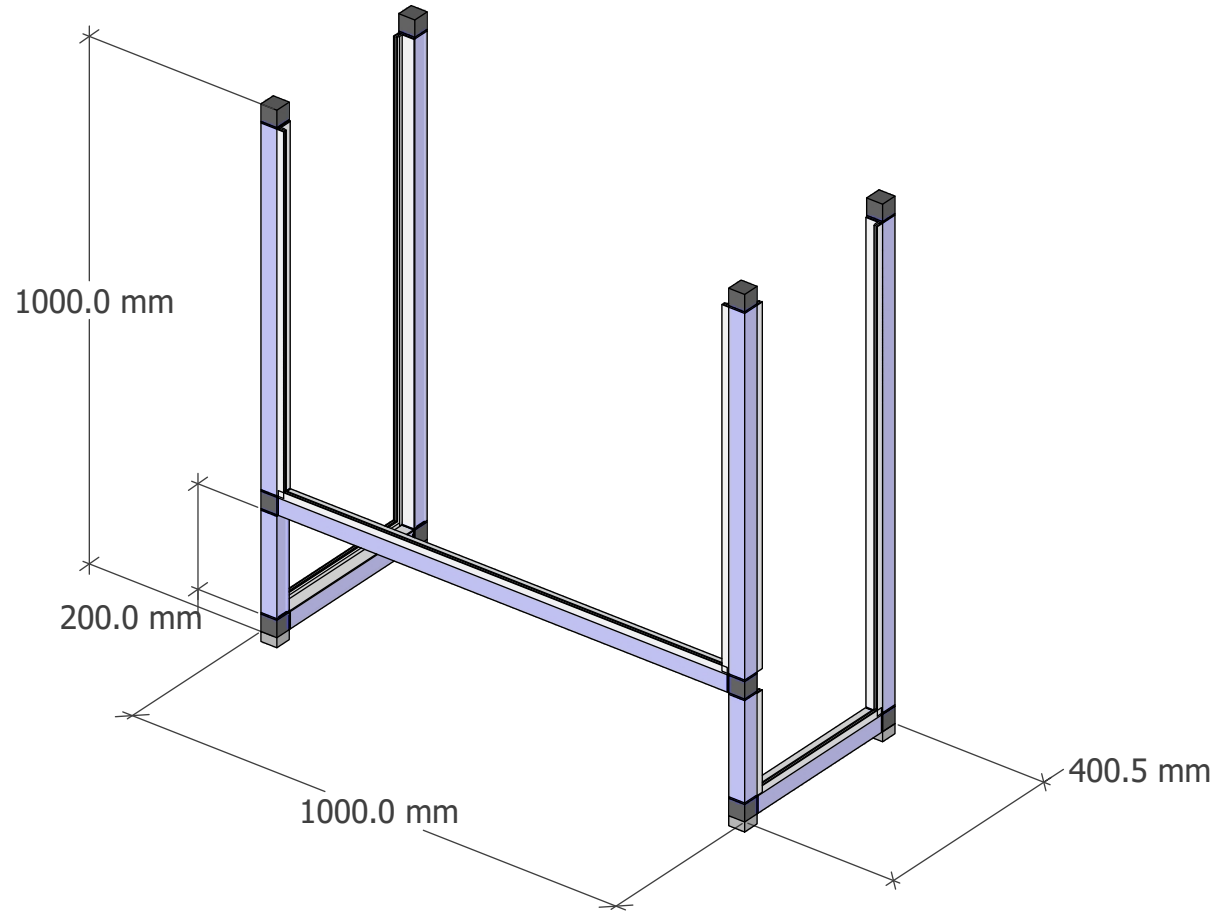


Top

GRAPHIC SIZES (PLEXI)



A



PARTS

FN01- FNT0233.0-~~ FS ~	2
FN01- FNT0367.5-~~~ FS	2
FN01- FNT0734.0-~~ FS FS	2
FN01- FNT0967.0-~~ FS ~	3
SY03- CON (Connector)	10
SY03- CONTE 19MM (T Ext)	4

Date:	April 15, 2020
Client:	- Vis24- - Dividers & Partitions
Reference:	20D007
Version:	V2
Drawn by:	Ethan

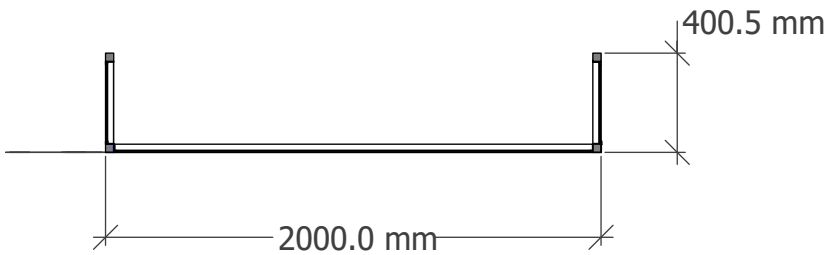
IMPORTANT NOTES
 - PARTS FOR X1 UNIT ONLY (x1 required)
 - HEIGHT EXCLUDES 19mm CONTE



NEXT-XPO
info@next-xpo.com

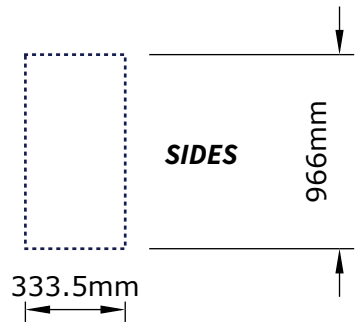
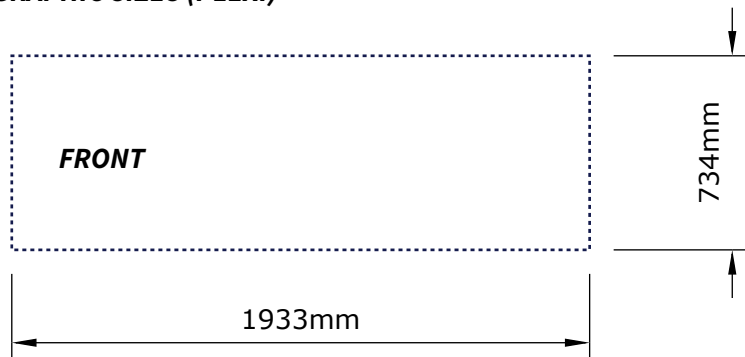


WWW.NEXT-XPO.COM

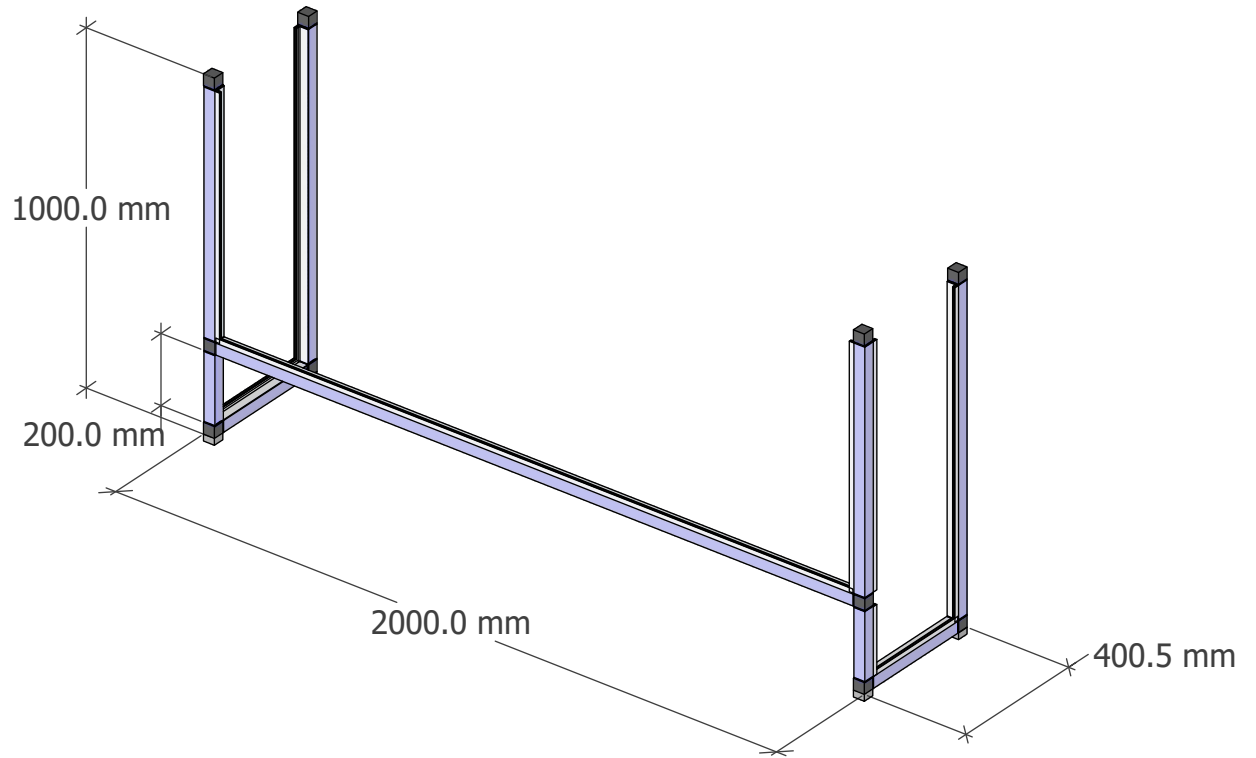


Top

GRAPHIC SIZES (PLEXI)



A



PARTS

FN01- FNT0233.0-~~ FS ~	2
FN01- FNT0367.5-~~~ FS	2
FN01- FNT1967.0-~~~ FS	1
FN01- FNT0734.0-~~ FS FS	2
FN01- FNT0967.0-~~ FS ~	2
SY03- CON (Connector)	10
SY03- CONTE 19MM (T Ext)	4

Date:	April 15, 2020
Client:	- Vis24-
Project:	- Dividers & Partitions
Reference:	20D007
Version:	V2
Drawn by:	Ethan

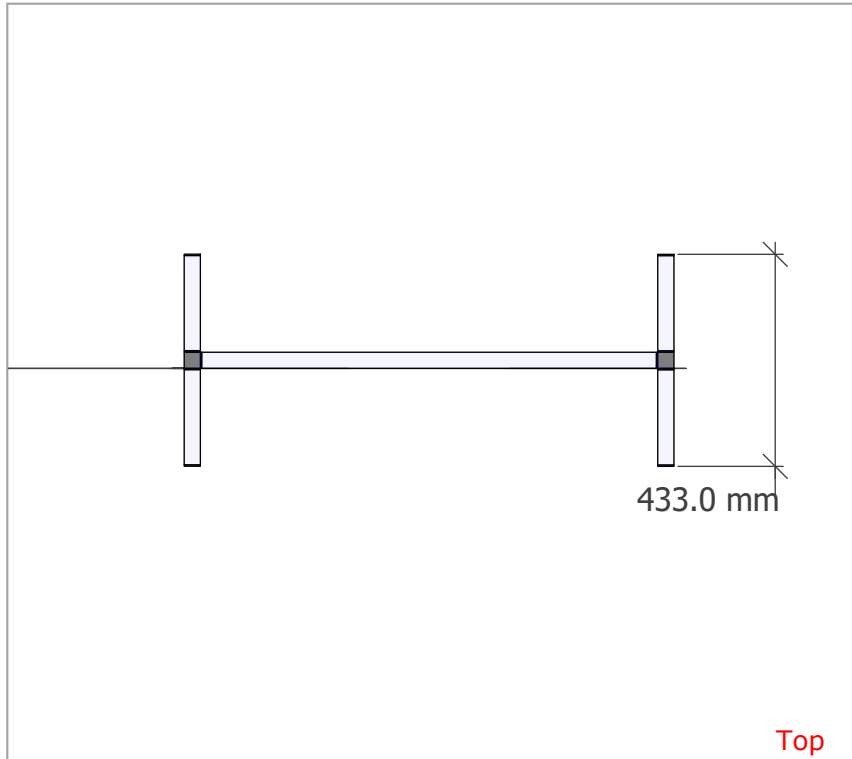
IMPORTANT NOTES
 - PARTS FOR X1 UNIT ONLY (x1 required)
 - HEIGHT EXCLUDES 19mm CONTE



NEXT-XPO
info@next-xpo.com

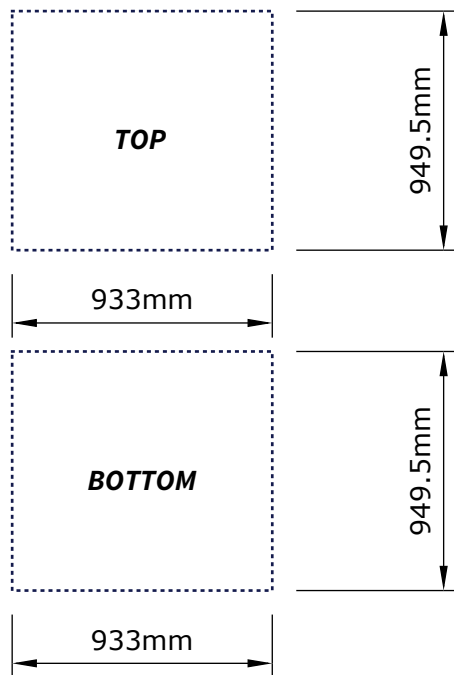


WWW.NEXT-XPO.COM

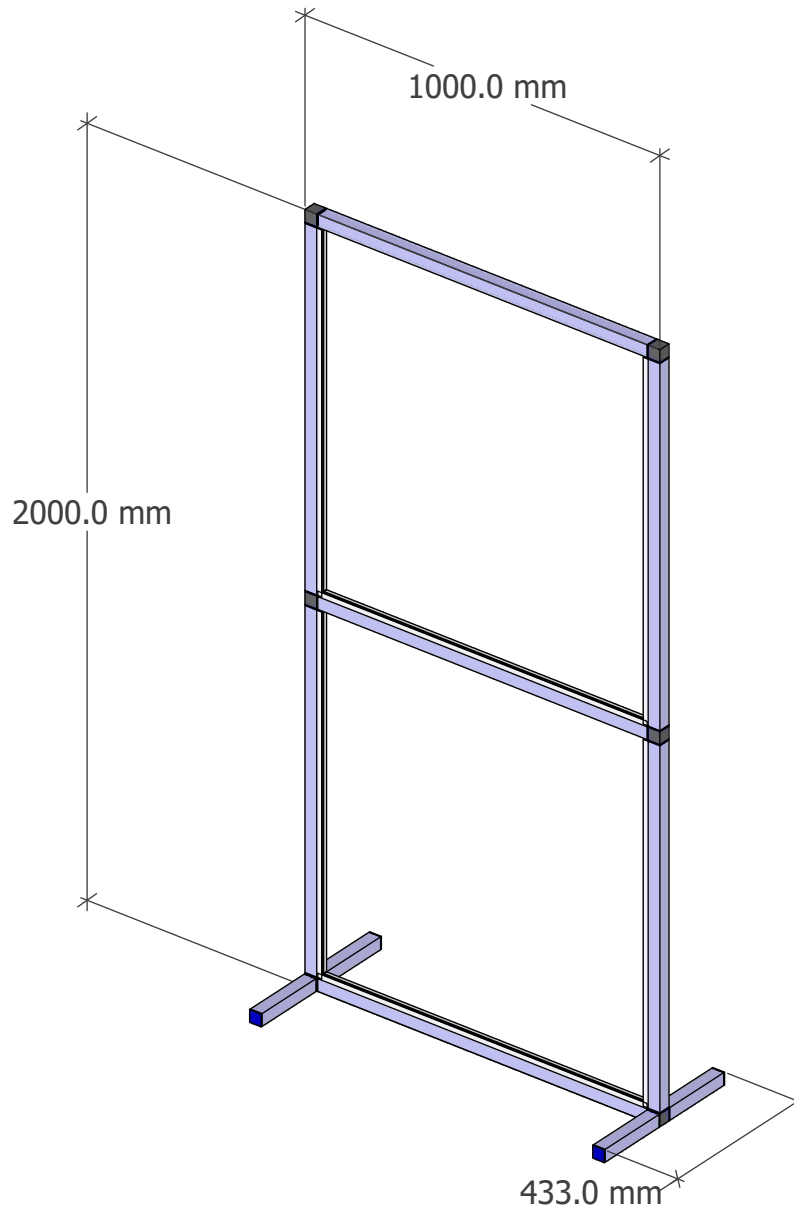


Top

GRAPHIC SIZES (PLEXI)



A



PARTS

AF01- AFT0245.0- ~ ~ ~ ~ AFSEG	4
FN01- FNT0967.0- ~ ~ FS ~	2
FN01- FNT0967.0- ~ ~ ~ ~	1
FN01- FNT0983.5- ~ ~ FS ~	2
FN01- FNT0983.5- ~ ~ FS ~ ESP	2
SY03- CON (Connector)	6

Date:	April 15, 2020
Client:	- Vis24-
Project:	- Dividers & Partitions
Reference:	20D007
Version:	V2
Drawn by:	Ethan

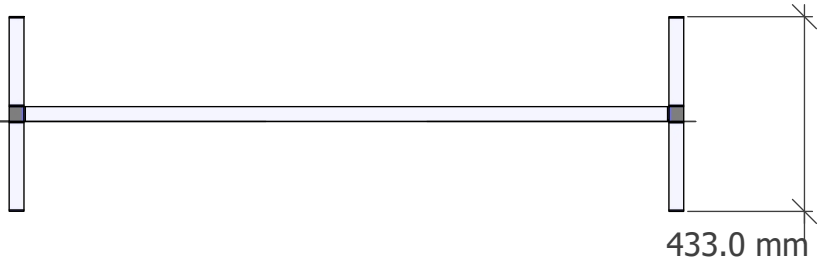
IMPORTANT NOTES
- PARTS FOR X1 UNIT ONLY (x1 required)



NEXT-XPO
info@next-xpo.com

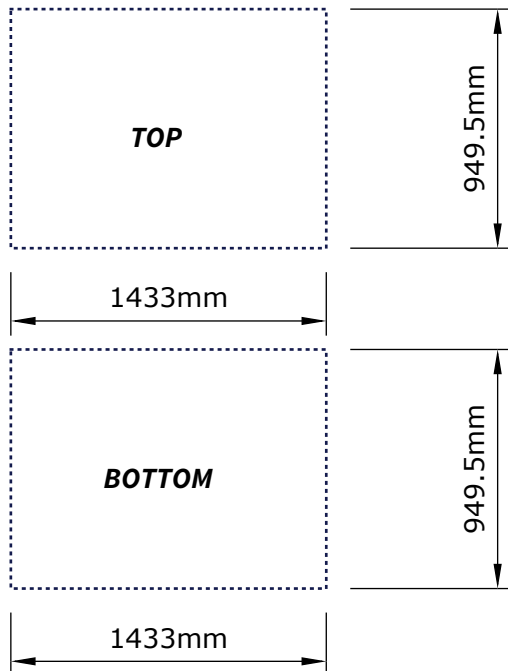


WWW.NEXT-XPO.COM

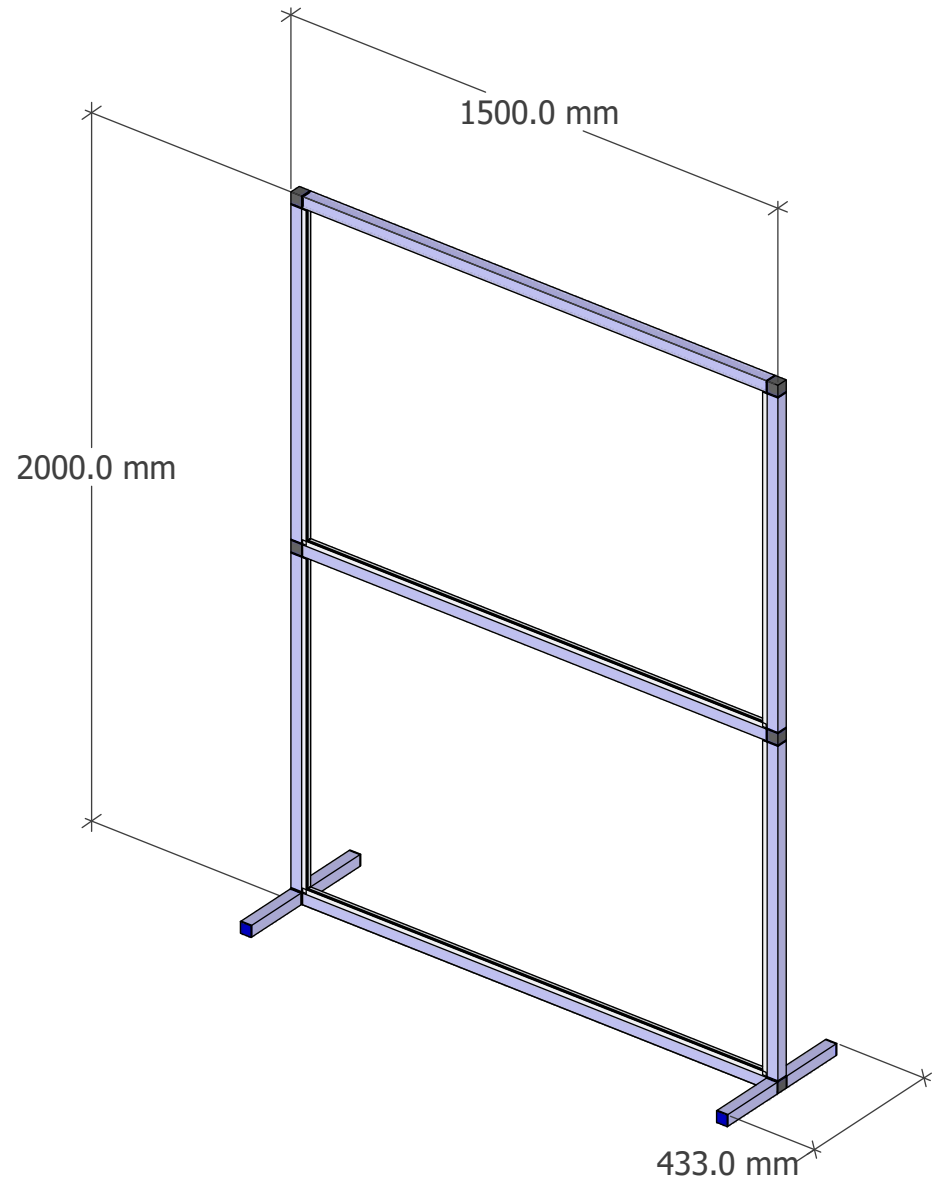


Top

GRAPHIC SIZES (PLEXI)



A



PARTS

AF01- AFT0245.0- ~~~~ AFSEG	4
FN01- FNT1467.0- ~~~ FS ~	2
FN01- FNT1467.0- ~~~~~	1
FN01- FNT0983.5- ~~~ FS ~	2
FN01- FNT0983.5- ~~~ FS ~ ESP	2
SY03- CON (Connector)	6

Date:	April 15, 2020
Client:	- Vis24-
Project:	- Dividers & Partitions
Reference:	20D007
Version:	V2
Drawn by:	Ethan

IMPORTANT NOTES
 - PARTS FOR X1 UNIT ONLY (x1 required)
 - HEIGHT EXCLUDES 33mm FIXED FOOT



NEXT-XPO
info@next-xpo.com



WWW.NEXT-XPO.COM