



T3 AFFINITY

RETAIL SOLUTIONS

T3 ADAPTOR

Two great systems creating the ultimate solution.

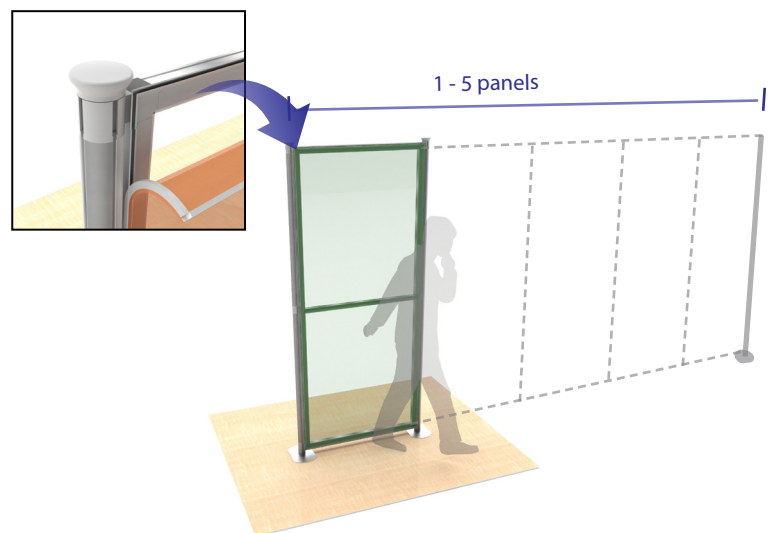
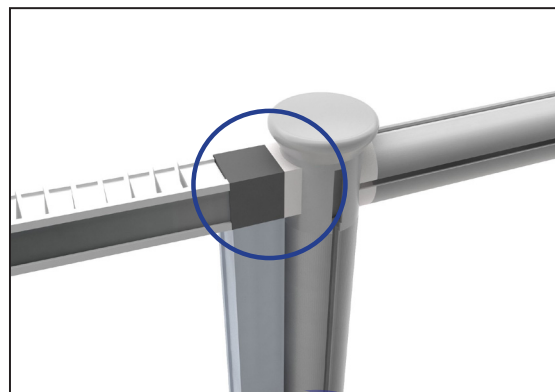
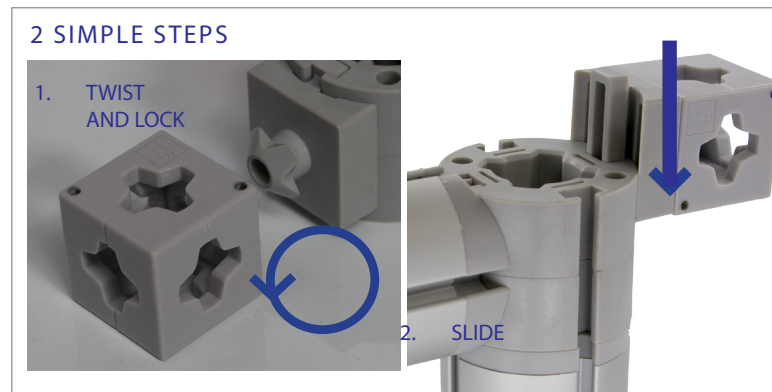
T3 Affinity is designed with our core principle in mind; Twist Lock Connect.

Using a specifically designed component, T3 Affinity can be combined with T3 connectors to provide access to the entire T3 Systems range. With the combination of the both Systems, T3 Affinity can fulfil any display requirement.

No tool installation, easy to transport, easy to store and unlimited design potential. T3 Affinity is a modular framework providing endless design potential with a wealth of parts for every possible requirement.

Used in conjunction with T3 flexi-curve, flexible multi-curve walls can easily be built and clad with graphics, with shelving, tablet and monitor holders as further options.

The T3Adaptor provides access to all the graphic options available to T3 Systems. Rigid panels can be attached using Velcro on the T3 tubes. Fabric graphics with silicon edging can be attached to appropriately fitted T3 profiles. Magnetic roll up panel can be using with T3 Airframe.



INTERLOCKING



FULLY
CUSTOMIZABLE



MODULAR



LOAD BEARING