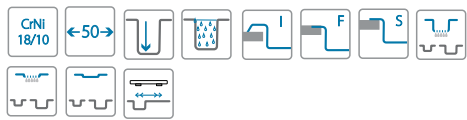
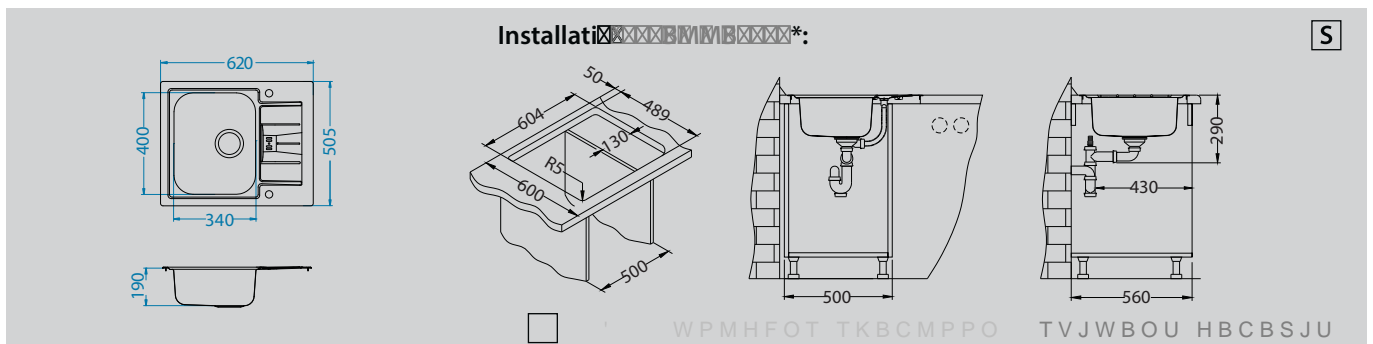
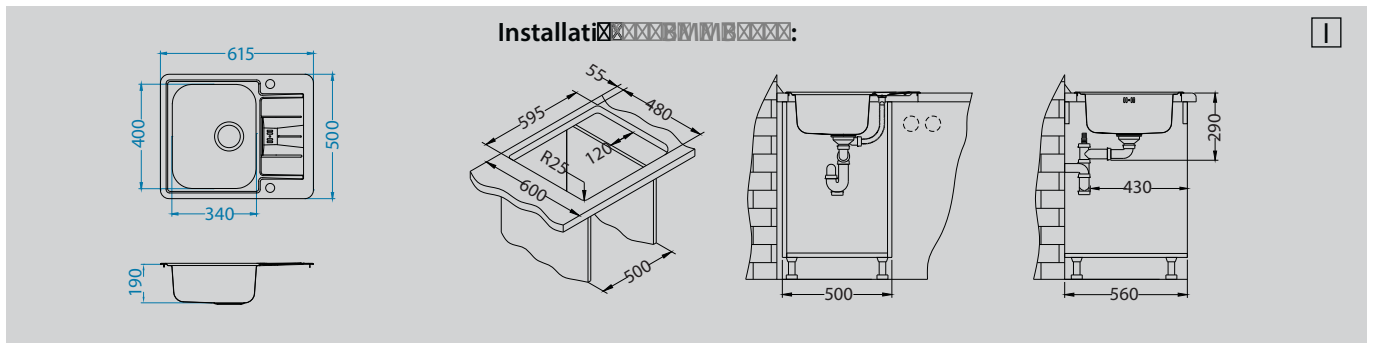


Line Maxim 60

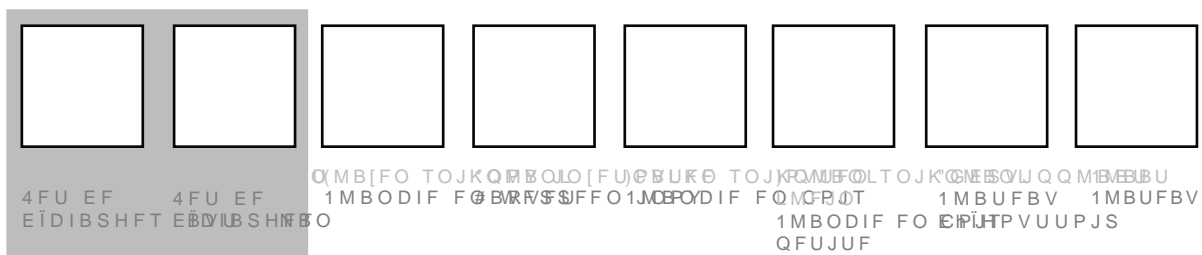
"GNFUJQH 615 x 500 mm - I
 620 x 505 mm - FS
 #BLBGNFUJQH 340 x 400 x 190 mm
 %JNFOTJPO EF DVWF
 00EFSLBTU \$BJTTP Ø500 mm



.MFV\$	0QQFSWM	BLUF	#BL	\$VWF	"GWFFS"	NN	*OTUBMM	BUKF	FYDM	#
\$PVMFV	CVSCBDF				7JEBOHF		*OTUBMM	BUYPO	ST	57"
4BUJO	"-7-*		0NLFFSCBBS	3İWFSTJCFM	Y		*	ü		
4BUJO	"-7-*		0NLFFSCBBS	3İWFSTJCFM			*	ü		
4BUJO	"-7-*		0NLFFSCBBS	3İWFSTJCFM	Y		4	ü		
." NBOVFMF CFEJFOJQH POEFS LSBBOHBU FDP WFSQBLLJOH DSİQJO										



5PFCEPISFO "DDFTTPJSFT:
 *ODM &YDM



45" * / -8444588-