

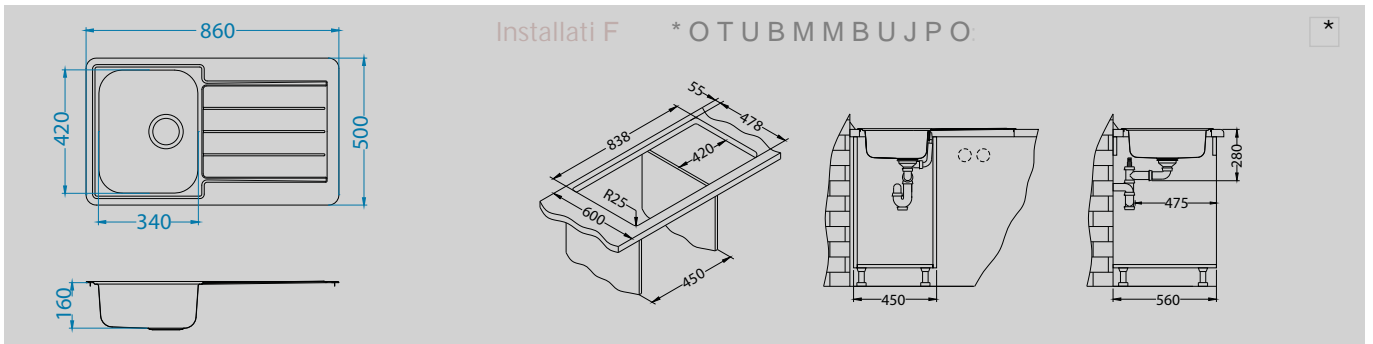
# Line 20

"GNFUJQH %JNFOT 860x500 mm  
 #BLBGNFUJQH 340x420x160 mm  
 %JNFOTJPO EF DVWF  
 00EFSLBTU \$BJTTPO 450 mm



,MFVS 0QQFSWMBLUF #BL \$VWF "GWPFS\* NN\*OTUBMMBUK# FYDM #58  
 \$PVMFV\$VSGBDF 7JEBOHF \*OTUBMMBUY#P#ST 57"  
 6OQPMJTIFE7-\* 0NLFFSCBBS 3IWSTJCMF \* 0  
 6OQPMJTIFE7-\* \$PNGF0NLFFSCBBS 3IWSTJCMF \* 0

\$PNGPSU JODMVTJFG HMB[FO TOJKQMBOL JOPY JO[FUCBLKF FO ESBBJLOPQCFEJFOJH  
 \$PNGPSU JODMVT QMBODIF FO WFSSF CBRVFU BNPWJCMF FU CPVUPO UPVSOBOU QPVS



5PFCFIPSF "DDFTTPJSFT:

\*ODM &YDM



\*GWPFS#U(MB[FO TOJKQMBOL[FU)BUK# TOJKQMBOL  
 4FU EF 1MBODIF F#B#R#F#\$S#FFO1J#B#P#D#IF FO CPJT  
 E#D#I#B#S#H#T