



CODE 51843

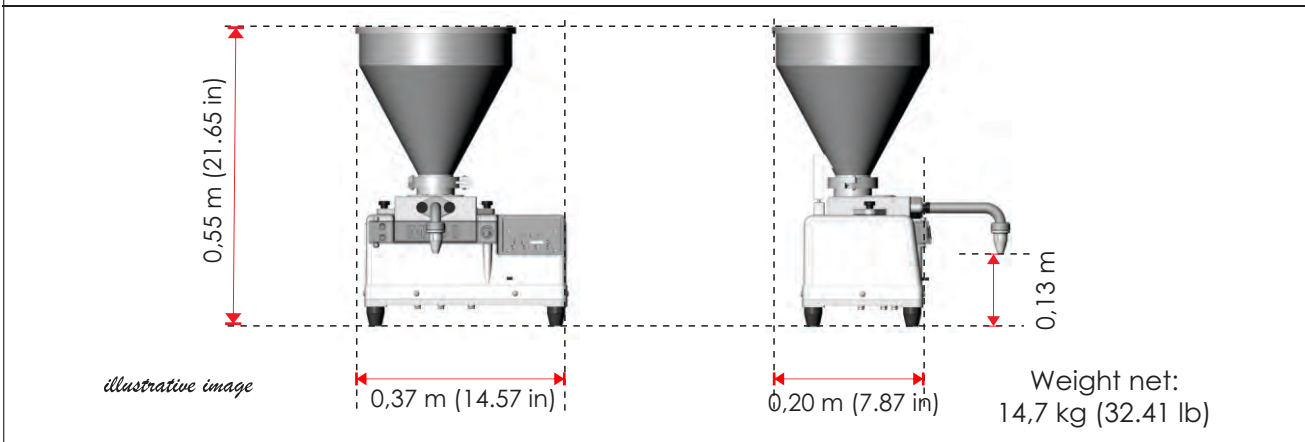
Multi
Festa

Description:

Multi Festa, semi-automatic dosing, dose and filling products with creamy or pasty consistency. It has a dosing pump that imparts uniformity in dosage and filling, productivity, economy and operational safety for your business.

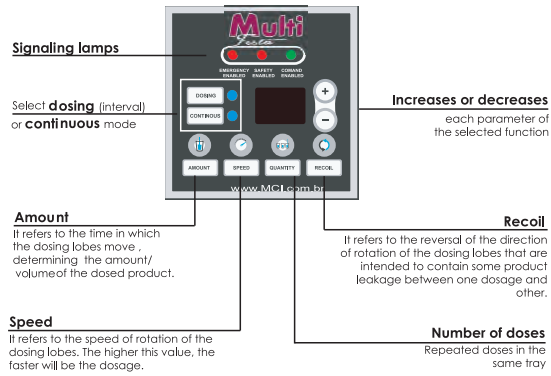
The equipment is not allowed to use solid and dry products such as dough, cubed fruits and vegetables, bars of chocolate, grated coconut, and liquid products in general such as juices, carbonated drinks and alcoholic beverages.

Visit our channel <https://www.youtube.com/user/videosmci> for further clarification.



Transportation and logistics info:	Height: 0,53 m (20.87 in) Width: 0,33 m (13.00 in) Length: 0,70 m (27.56 in)	Gross weight: 16 kg (35.27 lb)										
Electrical data: 115 V	<table border="1"> <thead> <tr> <th>Power</th> <th>Total current</th> <th>Phase ware gauge</th> <th>Earth ware gauge*</th> <th>Plug</th> </tr> </thead> <tbody> <tr> <td>50 W</td> <td>2 A</td> <td>1,5 mm²</td> <td>1,5 mm²</td> <td>American plug</td> </tr> </tbody> </table> <p>Power cord length = 1.2 m The MCI dosing, Multi Festa, must be installed with a suitable electrical grounding. Failure to electrical grounding may cause electric damages. For your safety, ask for an electrician you trust to check the condition of the power grid of the equipment installation site.</p>	Power	Total current	Phase ware gauge	Earth ware gauge*	Plug	50 W	2 A	1,5 mm ²	1,5 mm ²	American plug	
Power	Total current	Phase ware gauge	Earth ware gauge*	Plug								
50 W	2 A	1,5 mm ²	1,5 mm ²	American plug								
Motor potency	Dosing/ filling pump: 45W											
Productive capacity	Variable by product Volumetric capacity: 5 liters (1,32 gal)											
Anti-drip system	At the end each dosing, reversing the rotation of the dosing lobes avoids or minimizes dripping. Used for more fluid products.											
Dosage	Mousse, mini cake, pasty sweets											
Filling	«Churros», cake "bebezinhos", donuts, «bomba», «carolinas»											

Electronic panel:



Standard accessories



Available for purchase :

