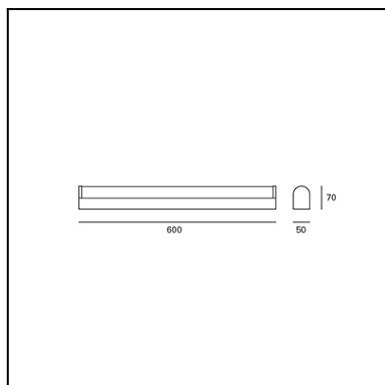


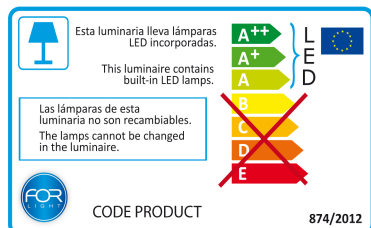
Design by -



The photograph may not match the reference exactly. Please read the product description to identify the finish.



Download photometric file .ldt /.ies



Click on image to download energy label

TECHNICAL CHARACTERISTICS

Type:	Wall fixture
RPM:	-
IP Protection degrees:	IP44
Light source 1:	24 x LED
Bulb specified at the product label	11.5 W Warm White - 3000K 1365 lm ^(N) CRI 80
IK Protection degrees:	NA
Total power consumption (W):	13.3 W
Angle of the optics / Reflector:	
Voltage / Frequency:	100-240V/50-60Hz
Warranty:	5
Option to extend the guarantee:	No
Units per box:	12
Net Weight (Kg):	0.000
EAN Code:	8435381498115
CFM:	-

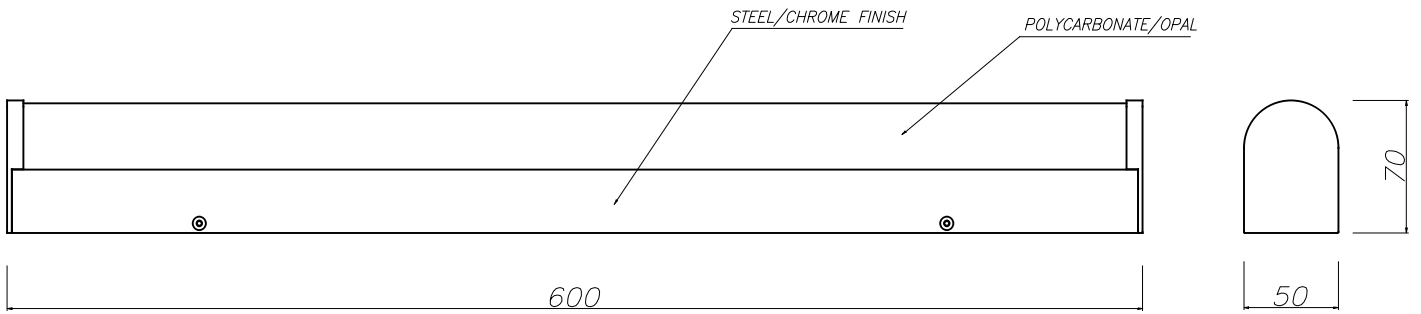


MATERIALS / FINISHES

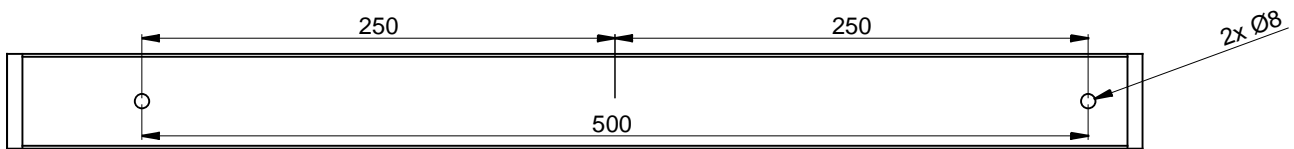
Structure material: Steel	Diffuser material: Polycarbonate
Structure finish: Chrome	Diffuser finish: Opal

GEAR

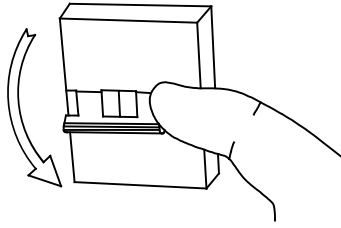
Gear included: Yes, electronic
Dimming protocol: NA



INSTALLATION TEMPLATE
PLANTILLA DE INSTALACIÓN

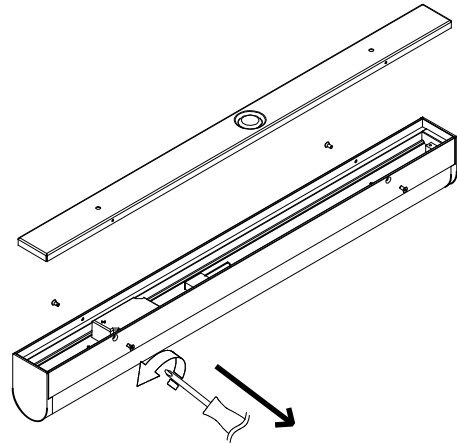


1

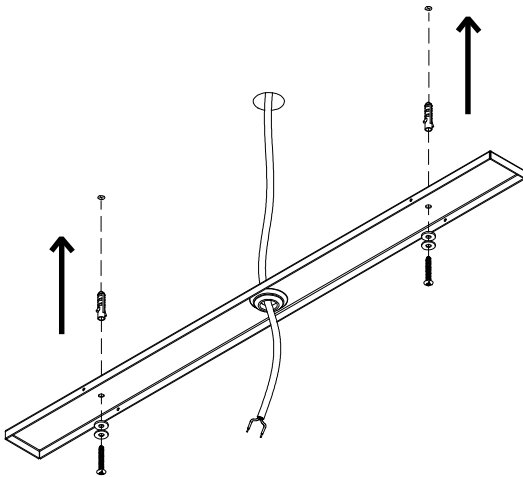


OFF

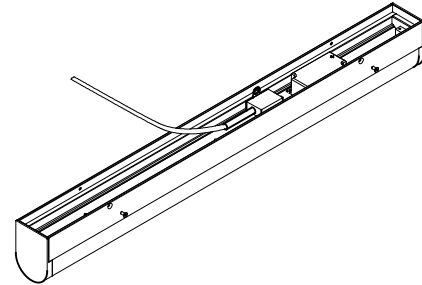
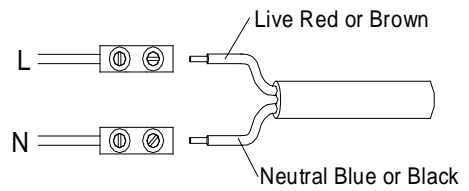
2



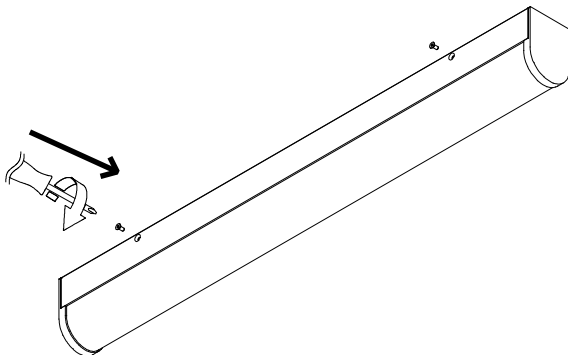
3



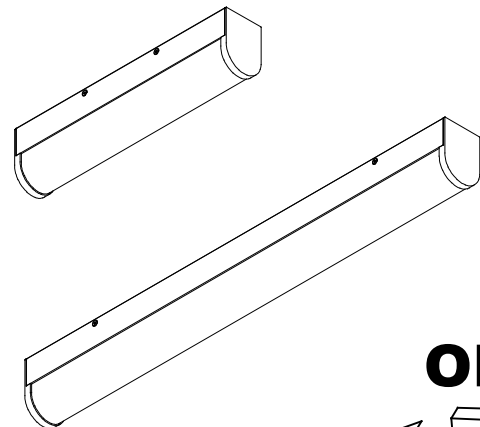
4



5



6



ON

